



US00D348988S

# United States Patent [19]

[11] Patent Number: Des. 348,988

Bro et al.

[45] Date of Patent: \*\* Jul. 26, 1994

## [54] CHILD'S PLAYPEN

[75] Inventors: **Jay M. Bro**, Plano, Tex.; **James S. Panzarella**, N. Kingstown, R.I.; **Herbert C. Weiland**, Rancho Palos Verdes, Calif.

[73] Assignee: **Today's Kids, Inc.**, Boonesville, Ark.

[\*\*] Term: **14 Years**

[21] Appl. No.: **4,456**

[22] Filed: **Feb. 5, 1993**

[52] U.S. Cl. .... **D6/331; D6/391**

[58] Field of Search ..... **D6/331, 388, 382, 390-395, D6/505-508; 5/93.1, 94, 99.1, 655; D21/59, 63**

## [56] References Cited

### U.S. PATENT DOCUMENTS

D. 275,502	9/1984	Nakao et al. ....	D21/59
D. 281,516	11/1985	Wong .....	D21/59
D. 286,656	11/1986	Kamentsky .....	D21/59
D. 298,598	11/1988	Ellman et al. ....	D21/63 X
D. 333,060	2/1993	Perego .....	D21/59 X
D. 339,173	9/1993	Marschak .....	D21/59
3,654,645	4/1972	Lee .....	5/93.1 X
3,777,321	12/1973	Hargestt .....	5/99.1
4,935,976	6/1990	Milman .....	5/93.1

### FOREIGN PATENT DOCUMENTS

1025338	4/1953	France .....	5/99.1
---------	--------	--------------	--------

### OTHER PUBLICATIONS

Playmat/Play-Yard ad.

*Primary Examiner*—Nelson C. Holtje

*Assistant Examiner*—J. E. Seeger

*Attorney, Agent, or Firm*—Kirkpatrick & Lockhart

## [57] CLAIM

The ornamental design for the child's playpen, as shown and described.

## DESCRIPTION

FIG. 1 is a front perspective view of a child's playpen, showing our new design; showing one of the four iden-

tical panels with all other panels omitted for convenience of illustration;

FIG. 2 is a front elevational view of the panel of the child's playpen illustrated in FIG. 1;

FIG. 3 is a rear elevational view of the panel of the child's playpen illustrated in FIG. 1;

FIG. 4 is a top plan view of the panel of the child's playpen illustrated in FIG. 1;

FIG. 5 is a bottom plan view of the panel of the child's playpen illustrated in FIG. 1;

FIG. 6 is a left elevational view of the panel of the child's playpen illustrated in FIG. 1;

FIG. 7 is a right elevational view of the panel of the child's playpen illustrated in FIG. 1;

FIG. 8 is a front perspective view of a second panel of the child's playpen with the other five panels omitted for convenience of illustration;

FIG. 9 is a front elevational view of the panel of the child's playpen illustrated in FIG. 8;

FIG. 10 is a rear elevational view of the panel of the child's playpen illustrated in FIG. 8;

FIG. 11 is a top plan view of the panel of the child's playpen illustrated in FIG. 8;

FIG. 12 is a bottom plan view of the panel of the child's playpen illustrated in FIG. 8;

FIG. 13 is a left elevational view of the panel of the child's playpen illustrated in FIG. 8;

FIG. 14 is a right elevational view of the panel of the child's playpen illustrated in FIG. 8;

FIG. 15 is a front perspective view of a third panel of the child's playpen with the other five panels omitted for convenience of illustration;

FIG. 16 is a front elevational view of the panel of the child's playpen illustrated in FIG. 15;

FIG. 17 is a rear elevational view of the panel of the child's playpen illustrated in FIG. 15;

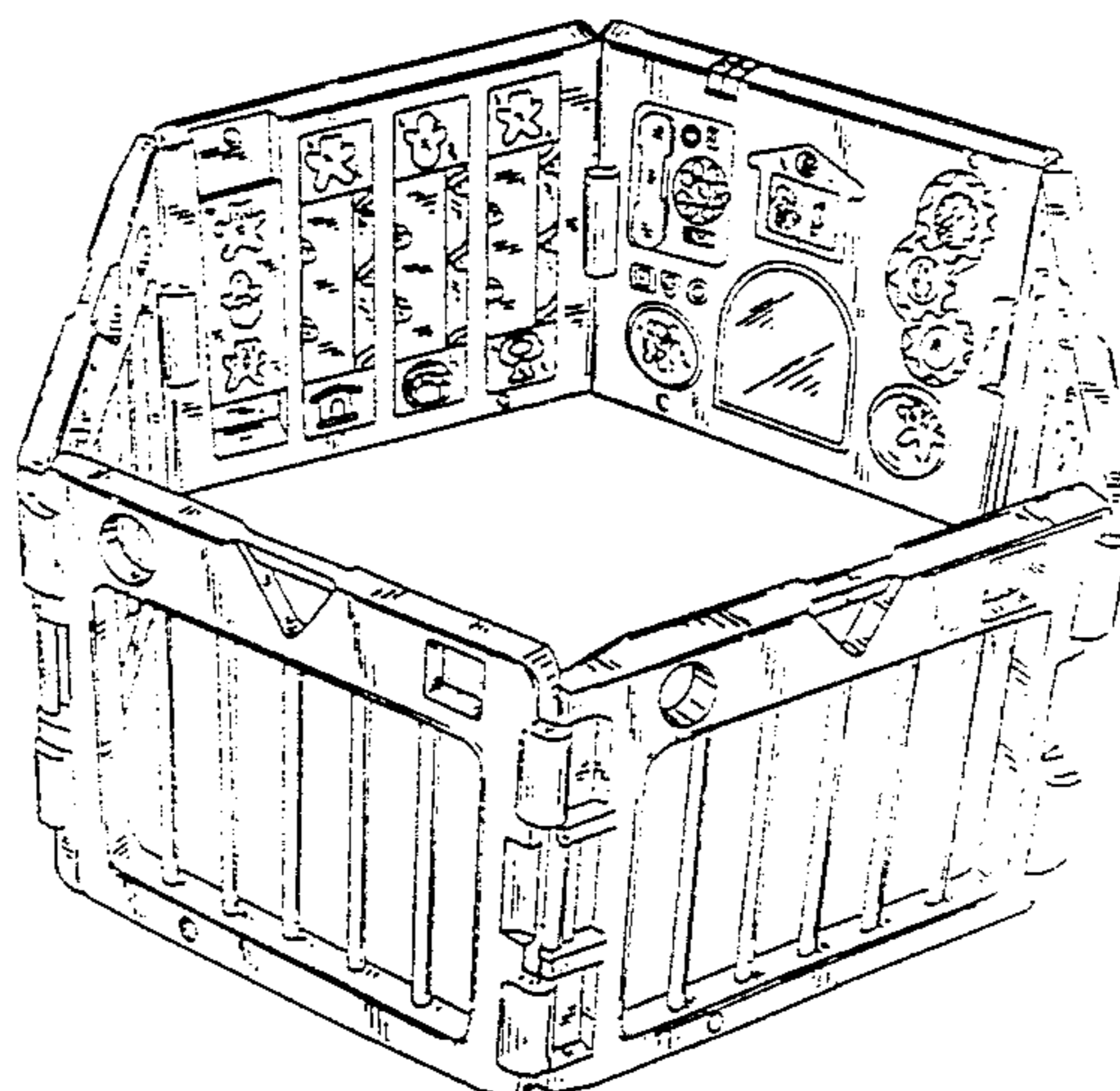
FIG. 18 is a top plan view of the panel of the child's playpen illustrated in FIG. 15;

FIG. 19 is a bottom plan view of the panel of the child's playpen illustrated in FIG. 15;

FIG. 20 is a left elevational view of the panel of the child's playpen illustrated in FIG. 15;

FIG. 21 is a right elevational view of the panel of the child's playpen illustrated in FIG. 15; and,

FIG. 22 is a perspective view of the child's playpen.



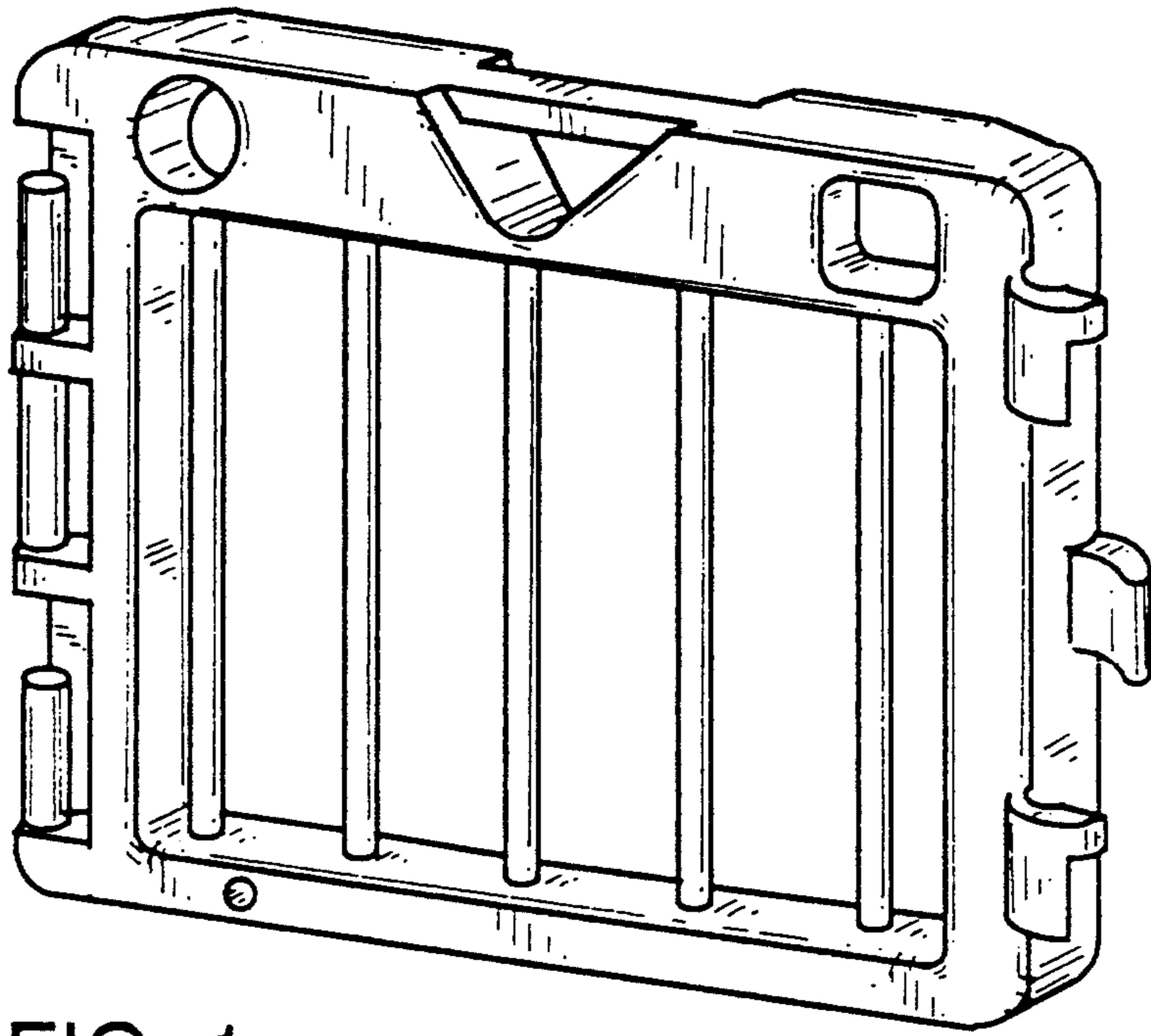


FIG. 1

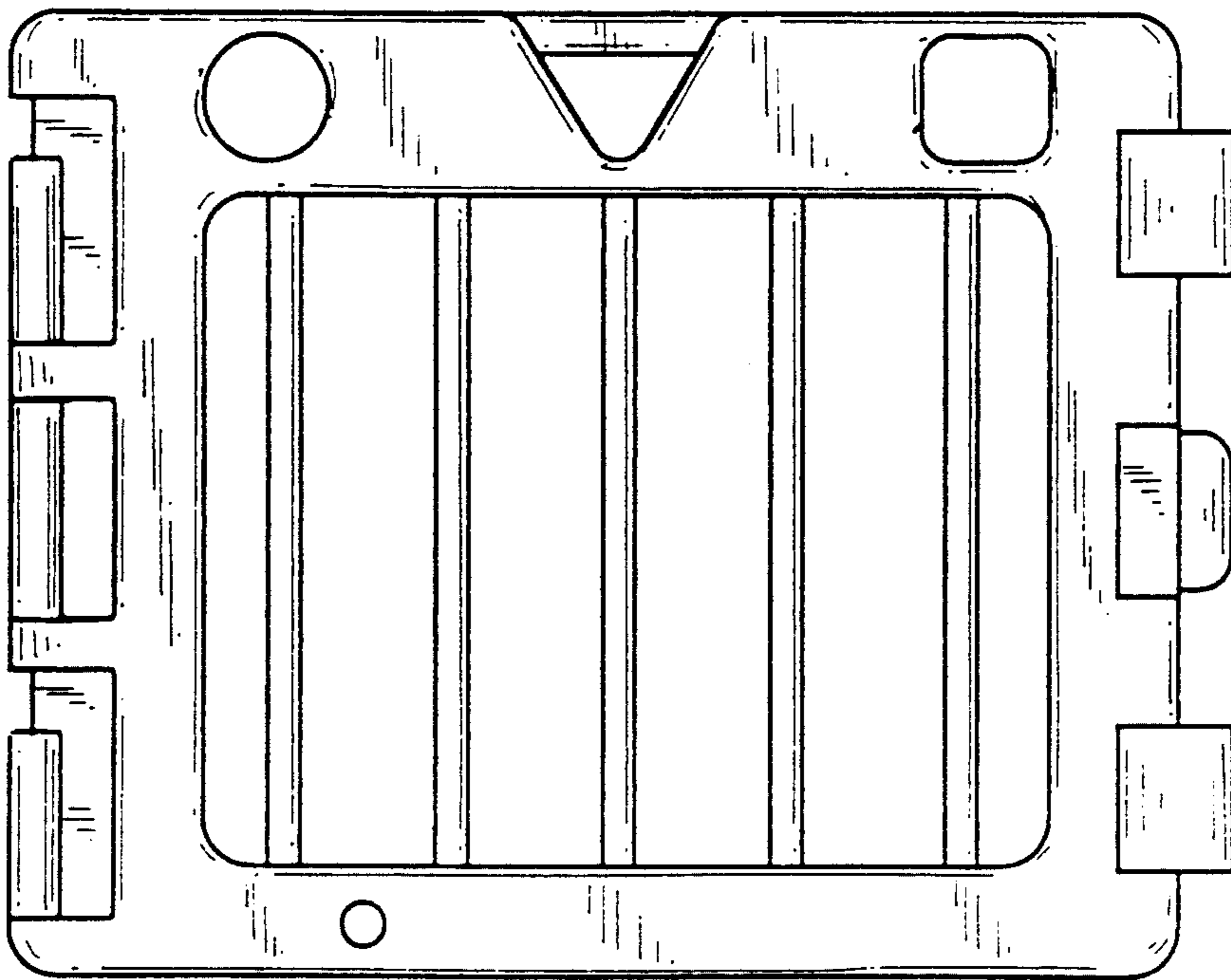


FIG. 2

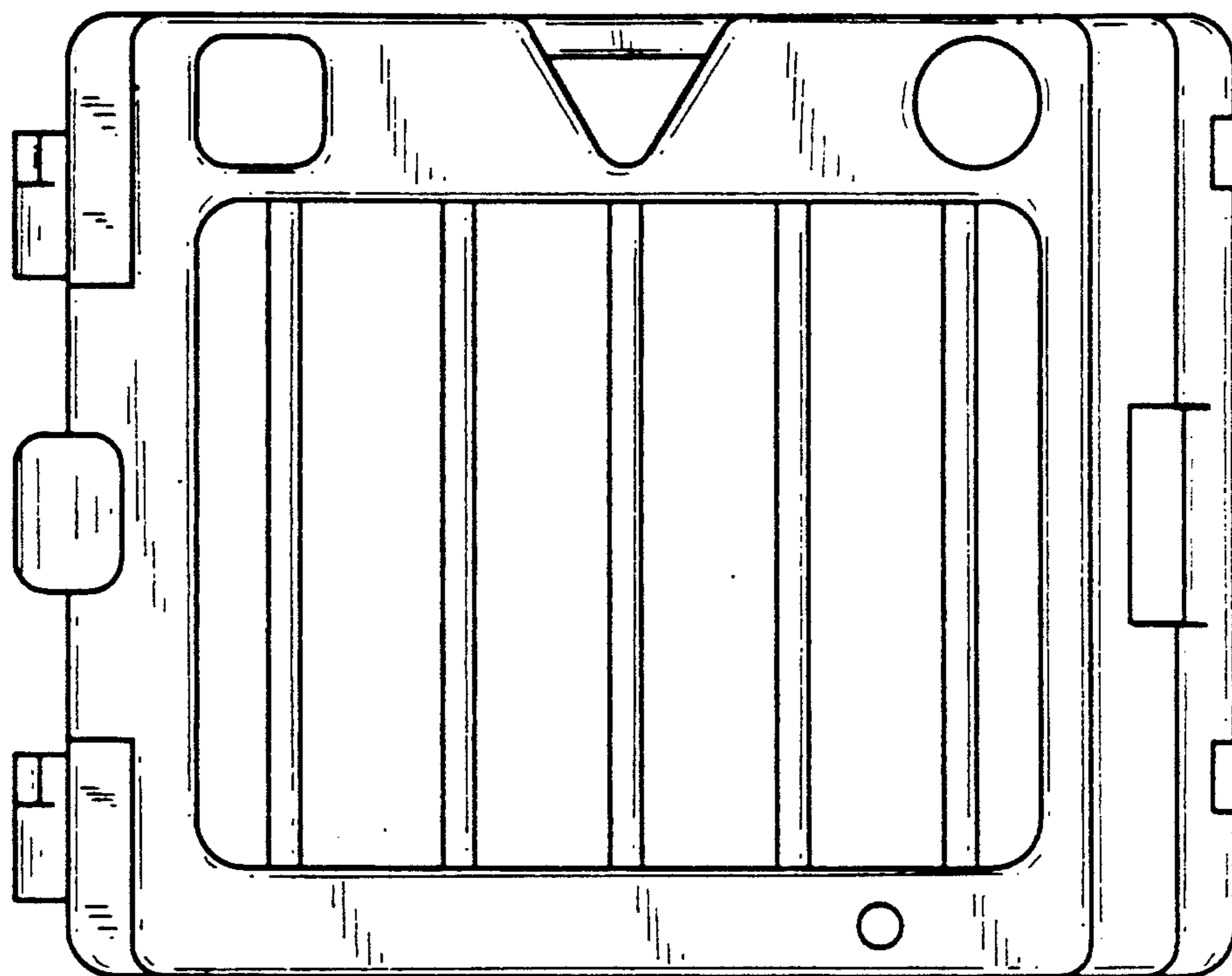


FIG. 3

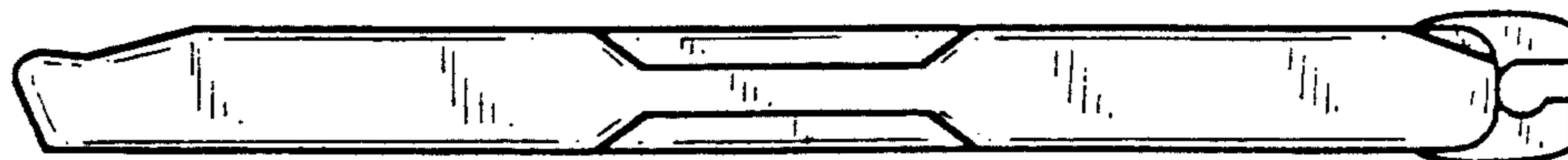


FIG. 4



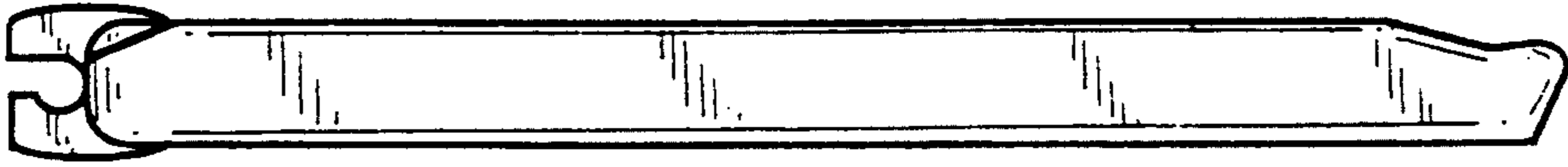


FIG. 5

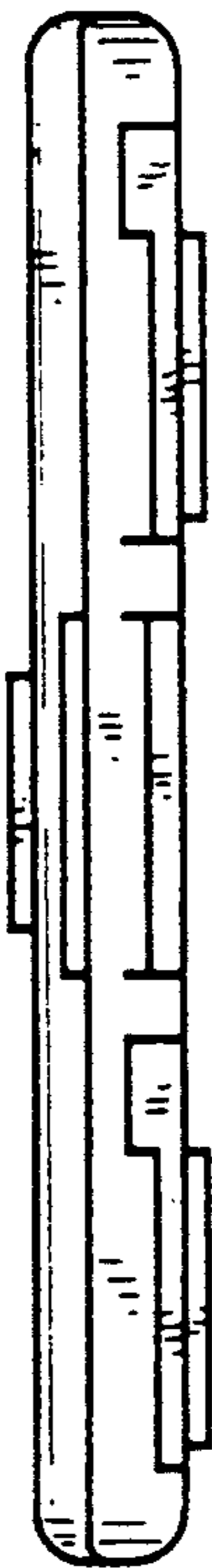


FIG. 6

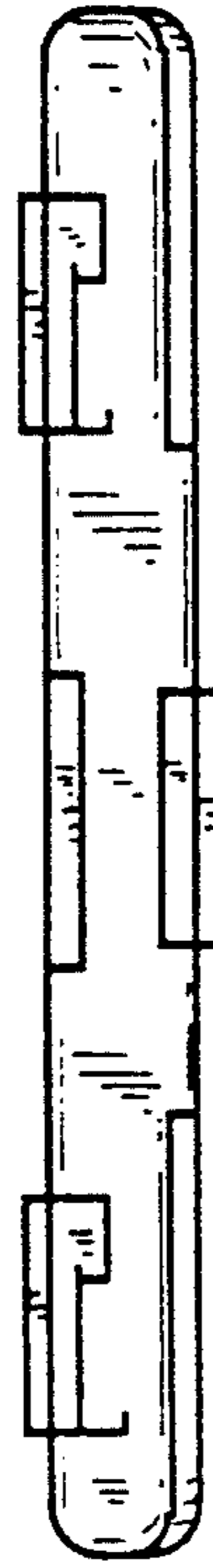


FIG. 7

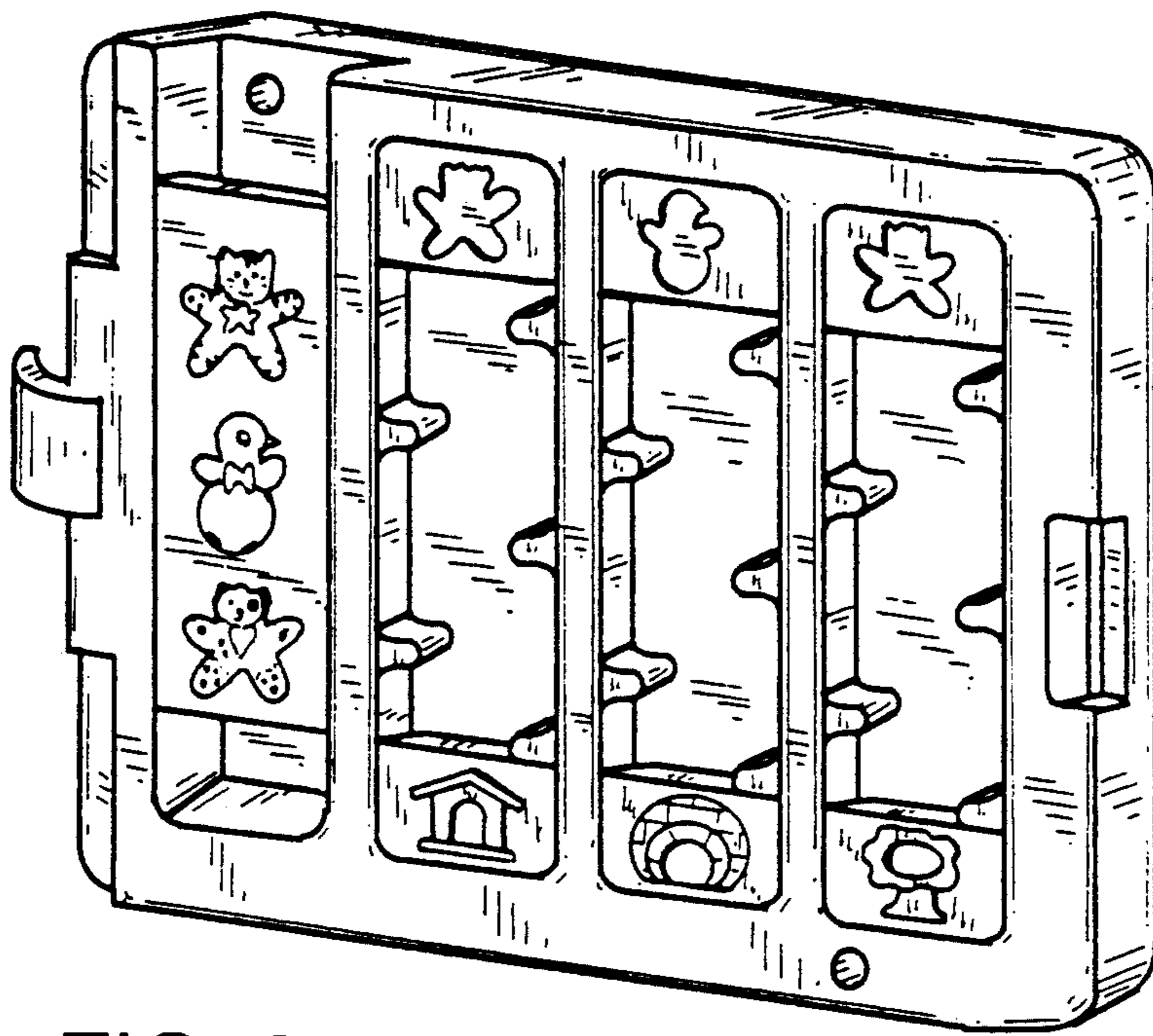


FIG. 8

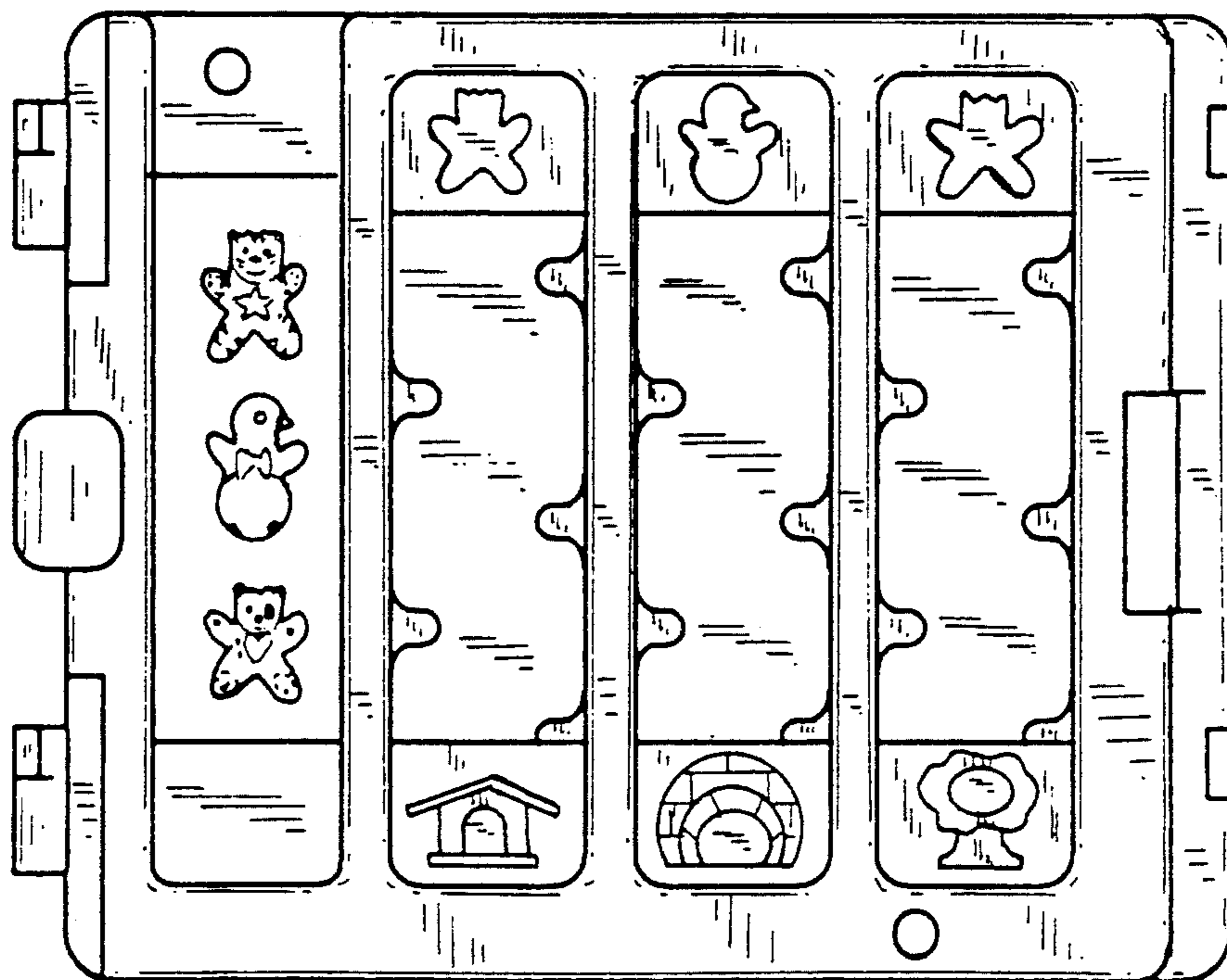


FIG. 9

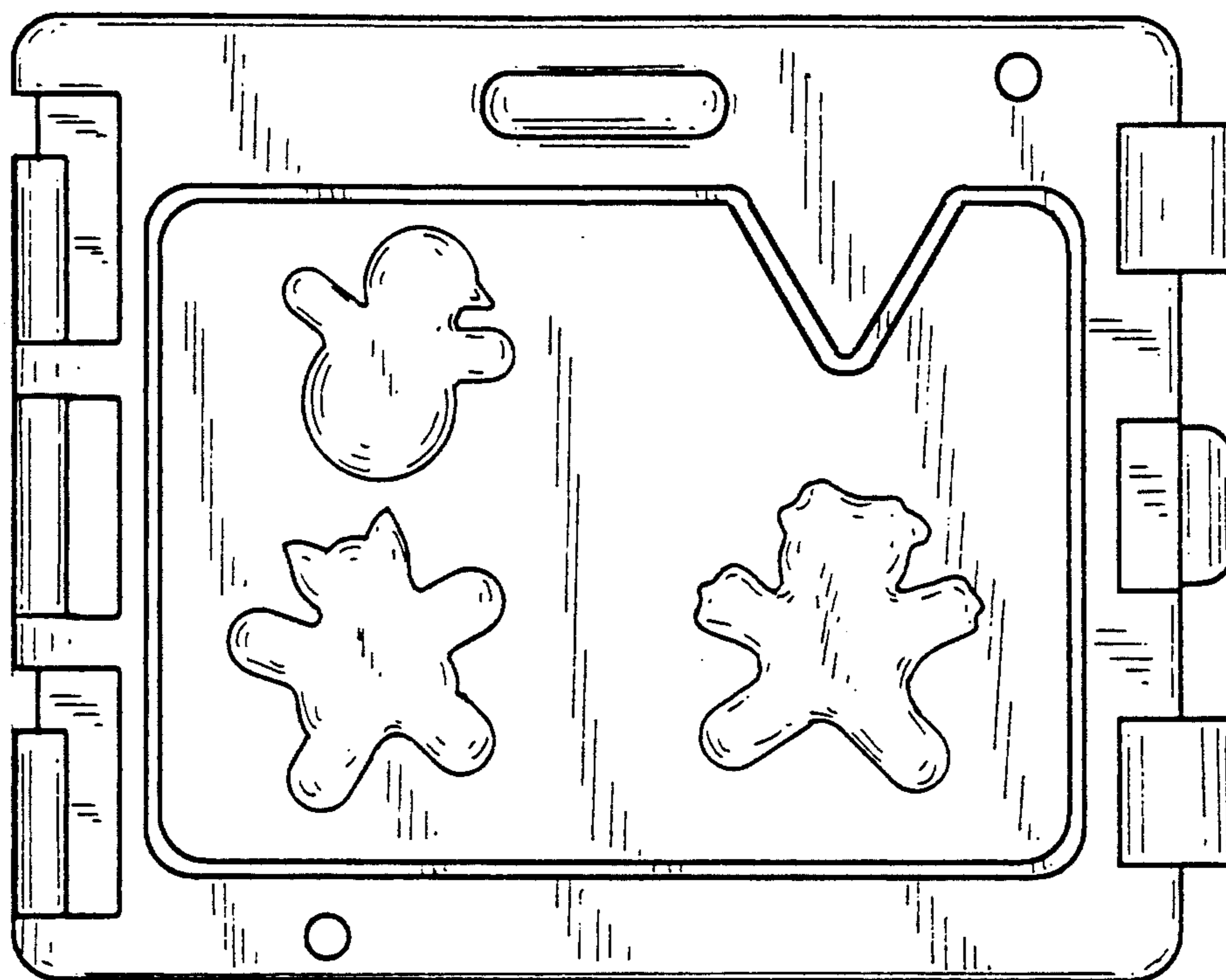


FIG. 10

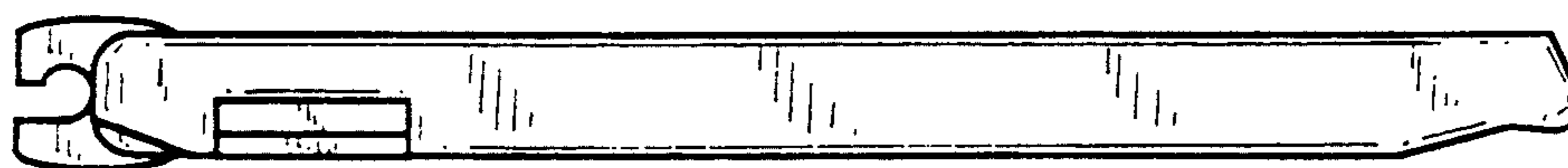


FIG. 11

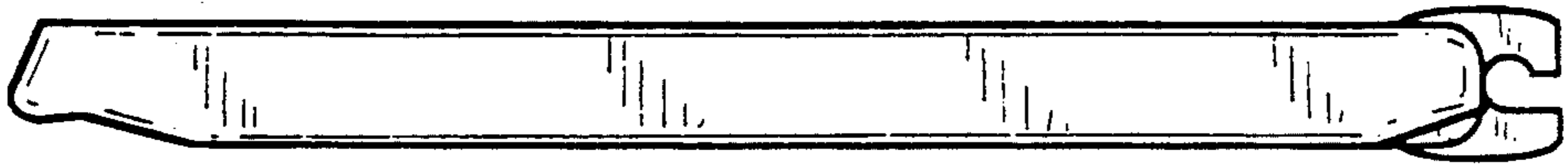


FIG. 12



FIG. 13

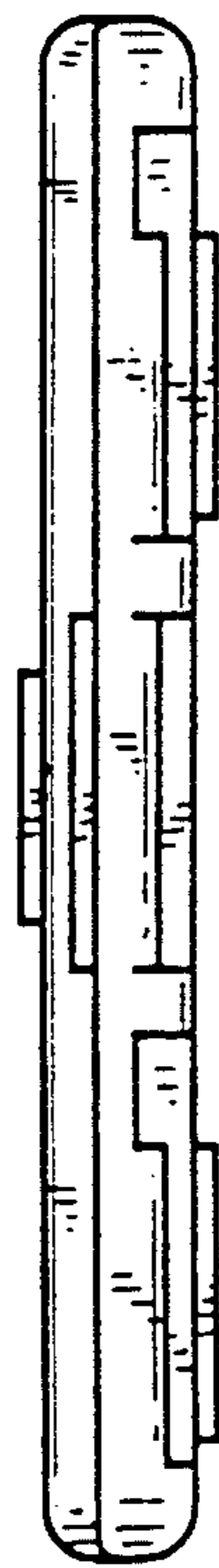


FIG. 14

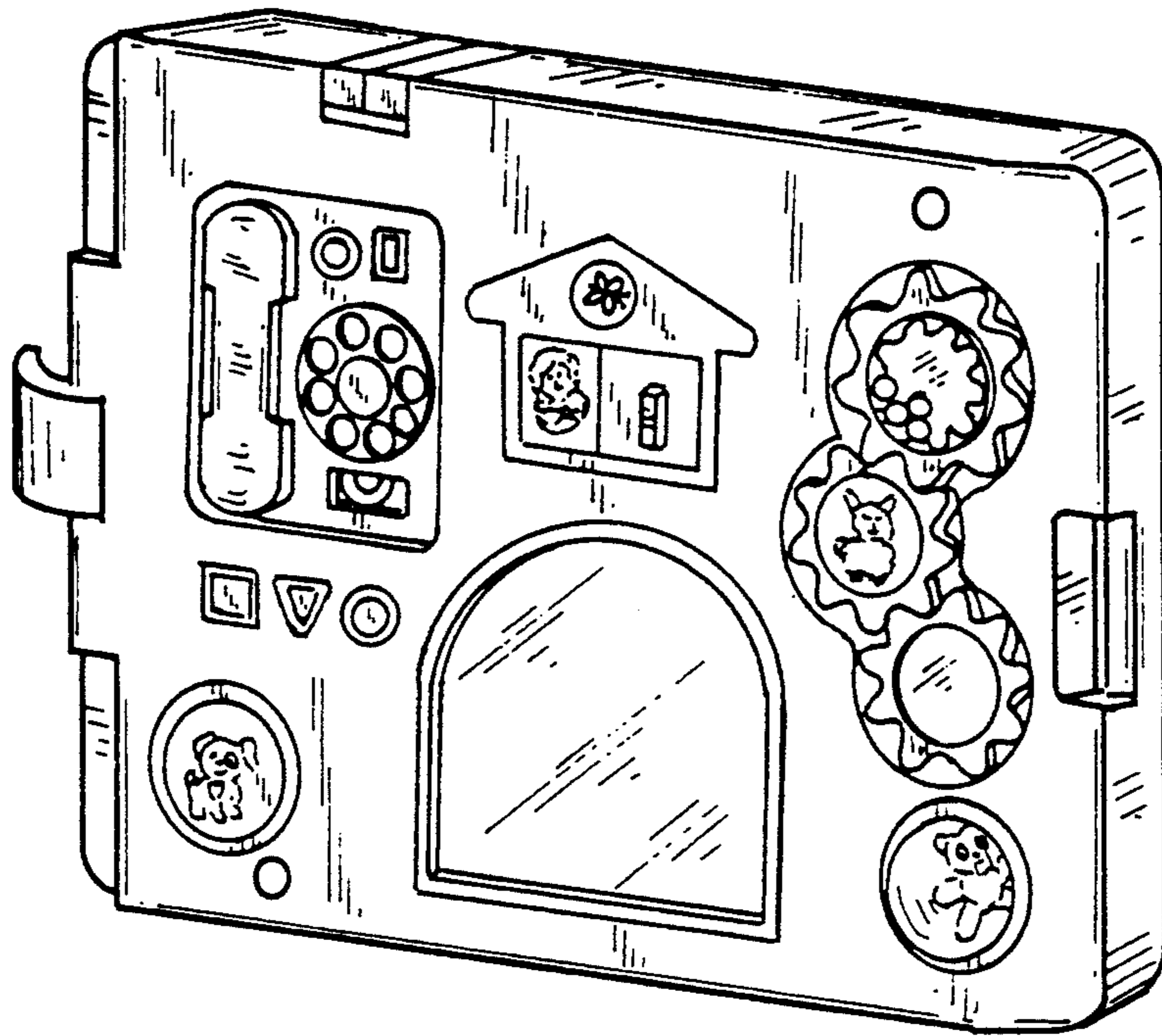


FIG. 15

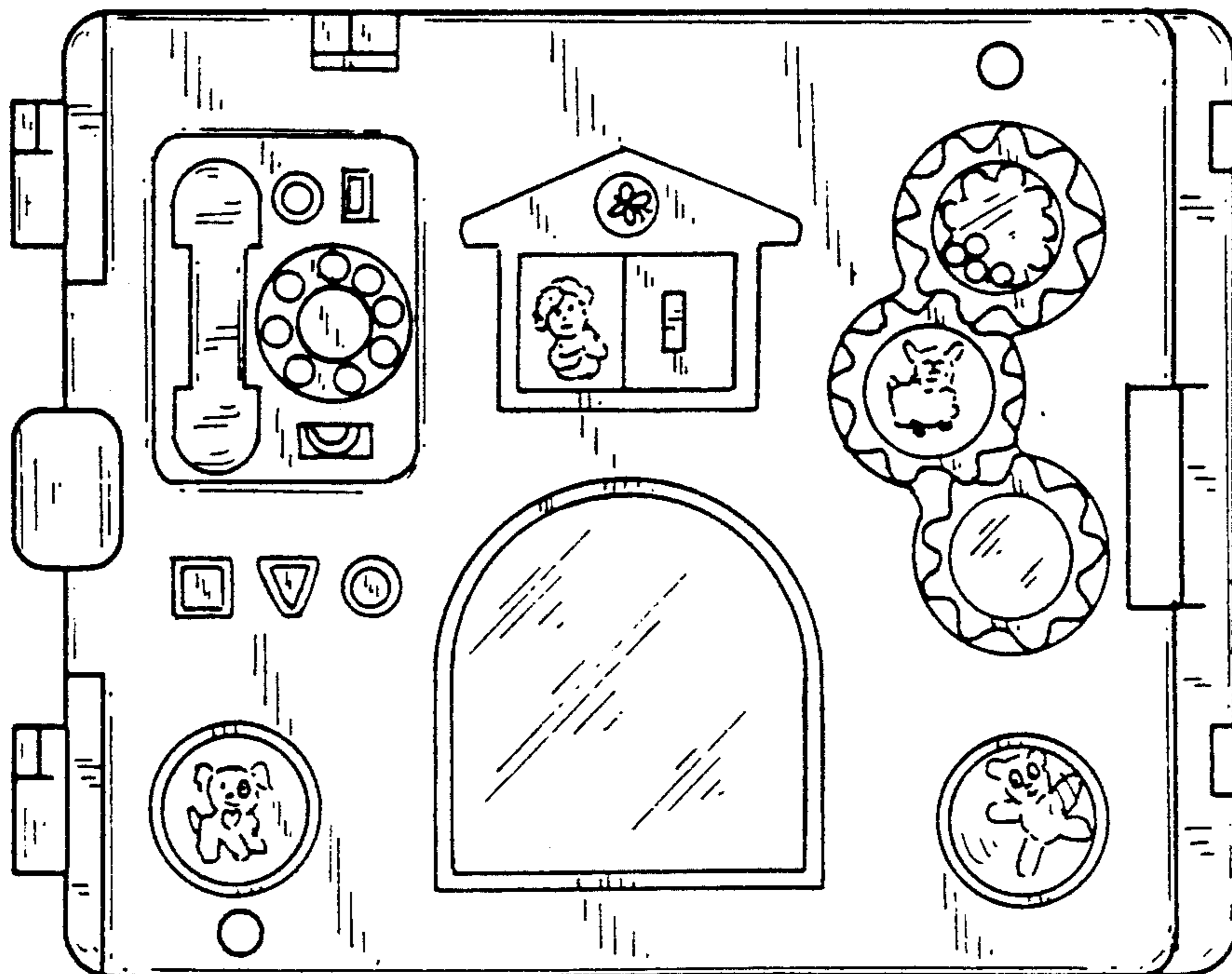


FIG. 16



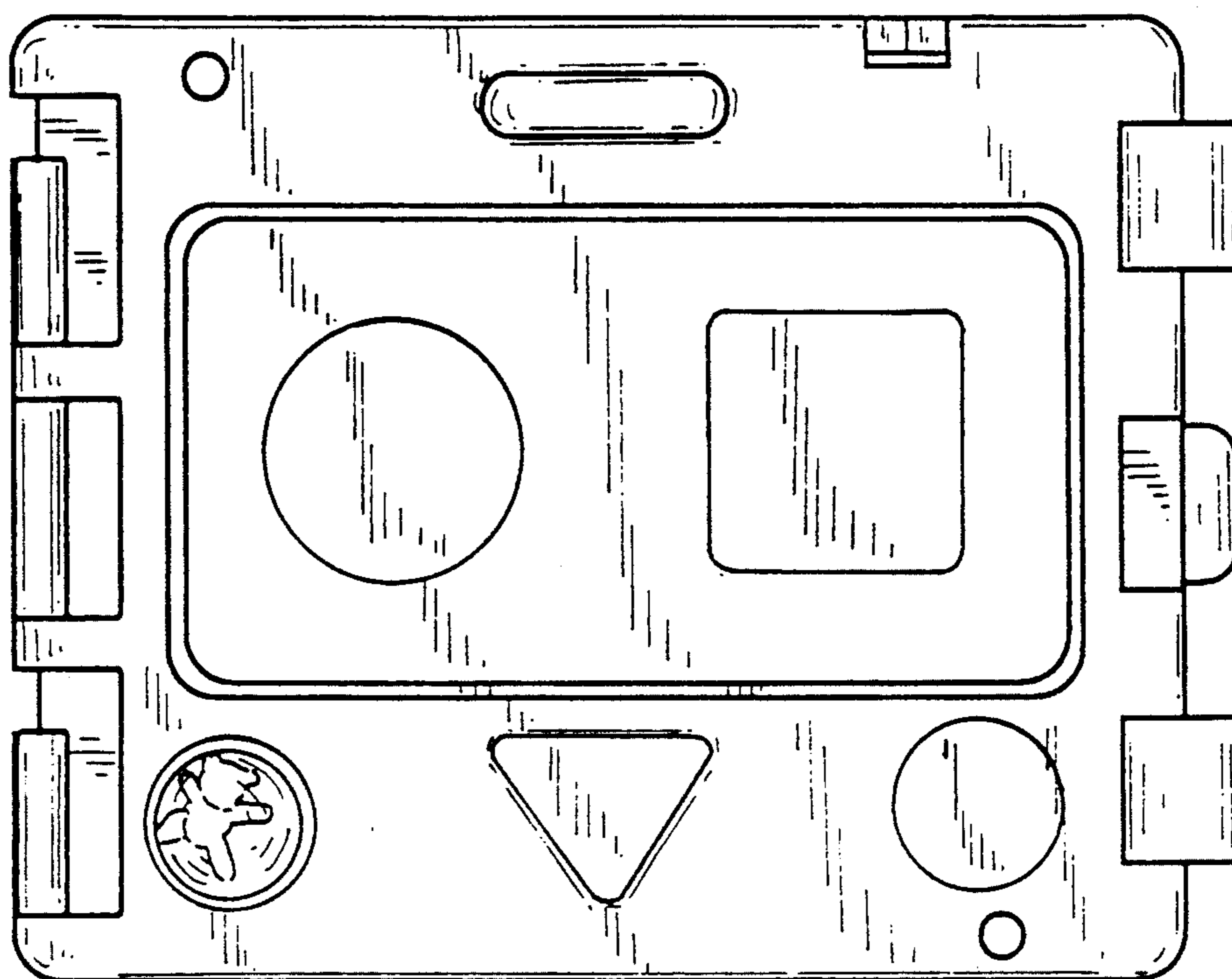


FIG. 17

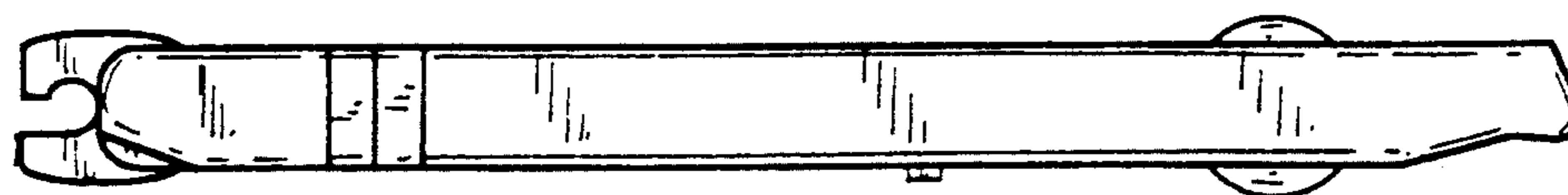


FIG. 18

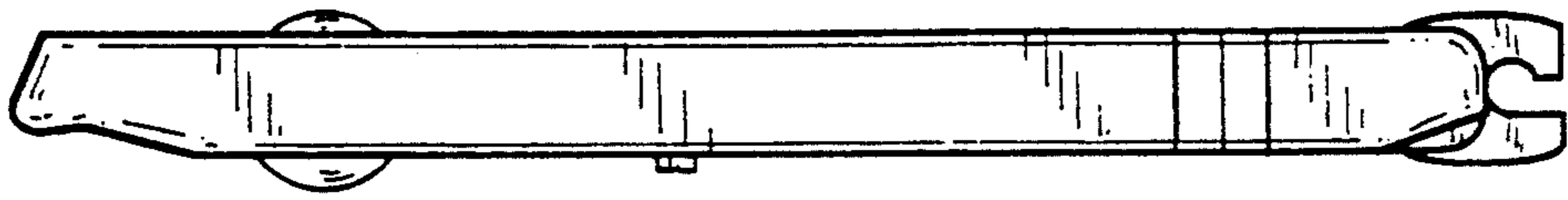


FIG. 19

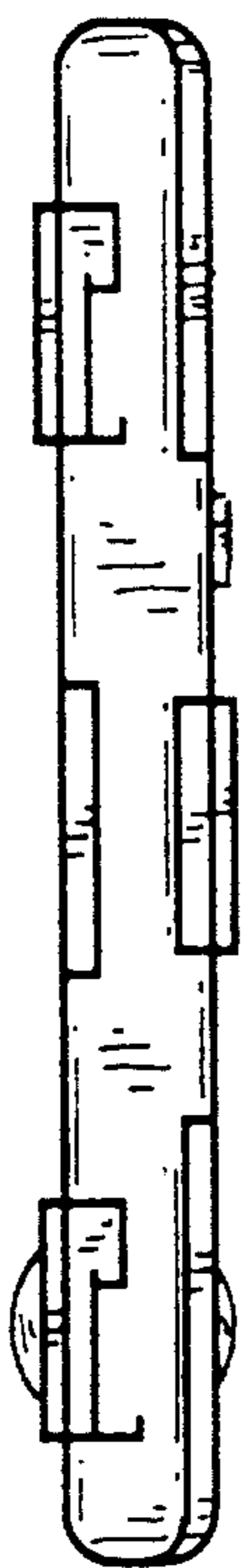


FIG. 20

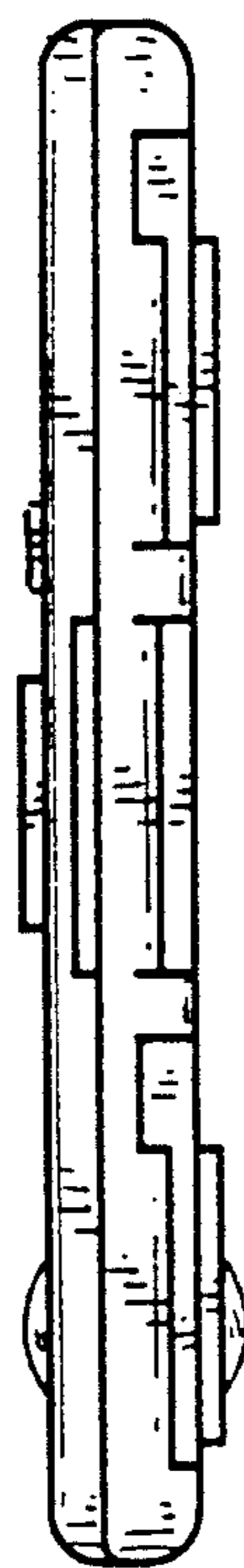


FIG. 21

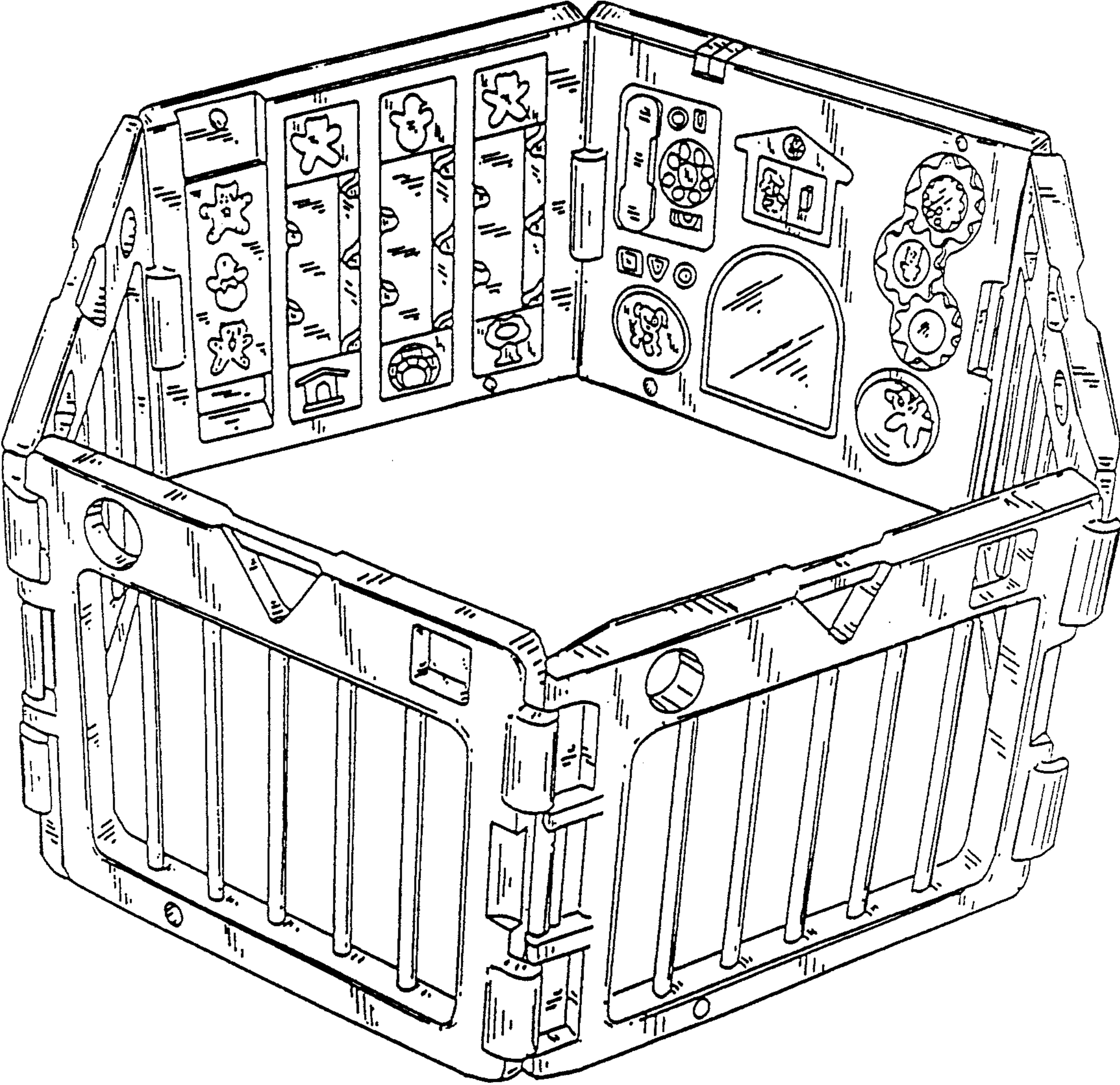


FIG. 22