



US00D348987S

United States Patent [19]

[11] Patent Number: **Des. 348,987**

Gouldson et al.

[45] Date of Patent: **** Jul. 26, 1994.**

[54] **GARMENT HANGER**

[75] Inventors: **Stanley Gouldson**, Northport; **Roland Harmer**, Centereach, both of N.Y.

[73] Assignee: **Spotless Plastics Pty. Ltd.**, Australia

[**] Term: **14 Years**

[21] Appl. No.: **870,697**

[22] Filed: **Apr. 16, 1992**

[52] U.S. Cl. **D6/326**

[58] Field of Search **D6/315, 326; 211/113; 223/91, 93, 96, 85; 40/322**

5,040,686 9/1991 Morrow .
 5,062,556 11/1991 Willpütz D6/315
 5,071,045 12/1991 Hollis .
 5,074,447 12/1991 Kolton et al. .
 5,127,559 7/1992 Freer 40/322

FOREIGN PATENT DOCUMENTS

544211 11/1983 Australia .
 9009651 8/1990 PCT Int'l Appl. .

OTHER PUBLICATIONS

Photocopy of Hanes Her Way Panty Hanger (undated).
 Photocopy of Plasti-form Model LC-11 Hanger (undated).

Primary Examiner—B. J. Bullock
Attorney, Agent, or Firm—Scully, Scott, Murphy & Presser

[56] **References Cited**

U.S. PATENT DOCUMENTS

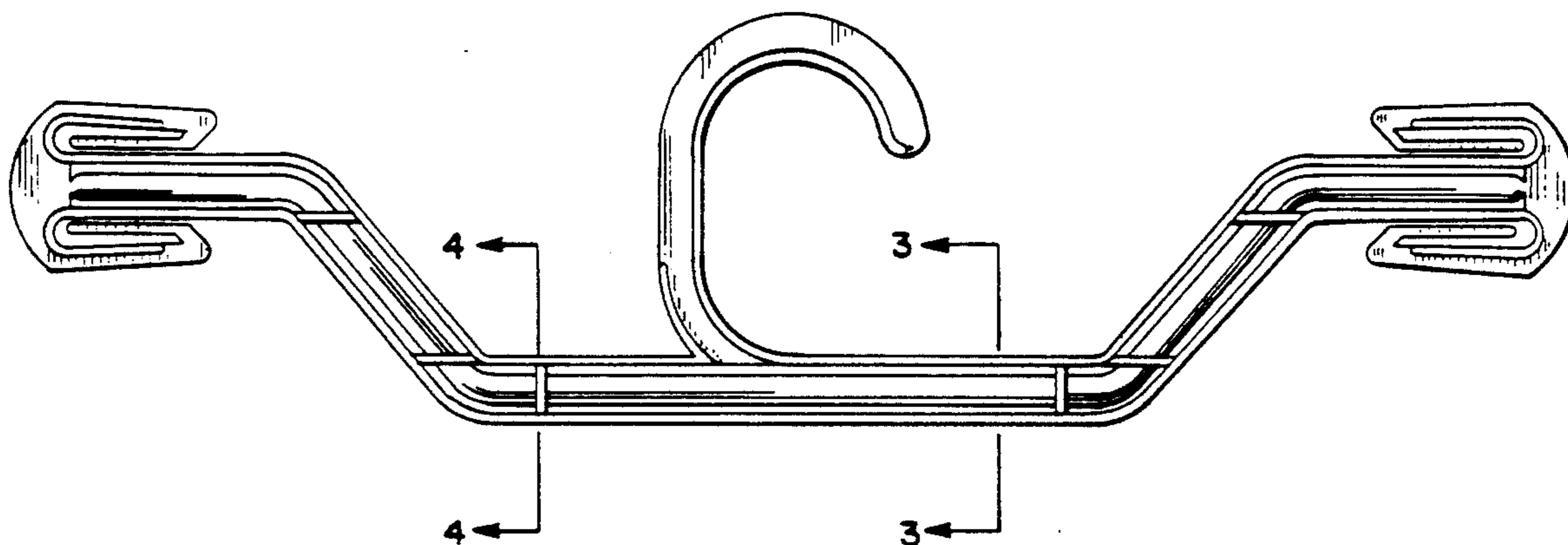
D. 236,572	9/1975	Ostroll .	
D. 246,817	1/1978	Mainetti .	
D. 283,854	5/1986	Marshall .	
D. 298,184	10/1988	Tendrup et al.	D6/326
D. 305,834	2/1990	DeVito	D6/326
D. 324,459	3/1992	Gouldson et al.	D6/326
D. 329,755	9/1992	Gouldson	D6/326
D. 335,581	5/1993	Gouldson	D6/315
3,463,369	9/1969	Moskowitz .	
3,738,549	6/1973	Driscoll .	
4,006,547	2/1977	Samuels et al. .	
4,115,940	9/1978	Phillips .	
4,623,079	11/1986	Tendrup et al. .	
4,629,102	12/1986	Tendrup et al. .	
4,828,155	5/1989	Louw .	
4,886,195	12/1989	Blanchard .	
4,892,237	1/1990	Duester et al.	223/85
4,951,855	9/1990	Jacobson et al. .	

[57] **CLAIM**

The ornamental design for a garment hanger, as shown and described.

DESCRIPTION

FIG. 1 is a front elevational view of a garment hanger showing our new design;
 FIG. 2 is a rear elevational view thereof;
 FIG. 3 is an enlarged sectional view taken in the direction of arrows on line 3—3 of FIG. 1;
 FIG. 4 is an enlarged sectional view taken on line 4—4 of FIG. 1;
 FIG. 5 is a top plan view thereof, the bottom being unornamented; and,
 FIG. 6 is a right end elevational view thereof, the left end being identical.



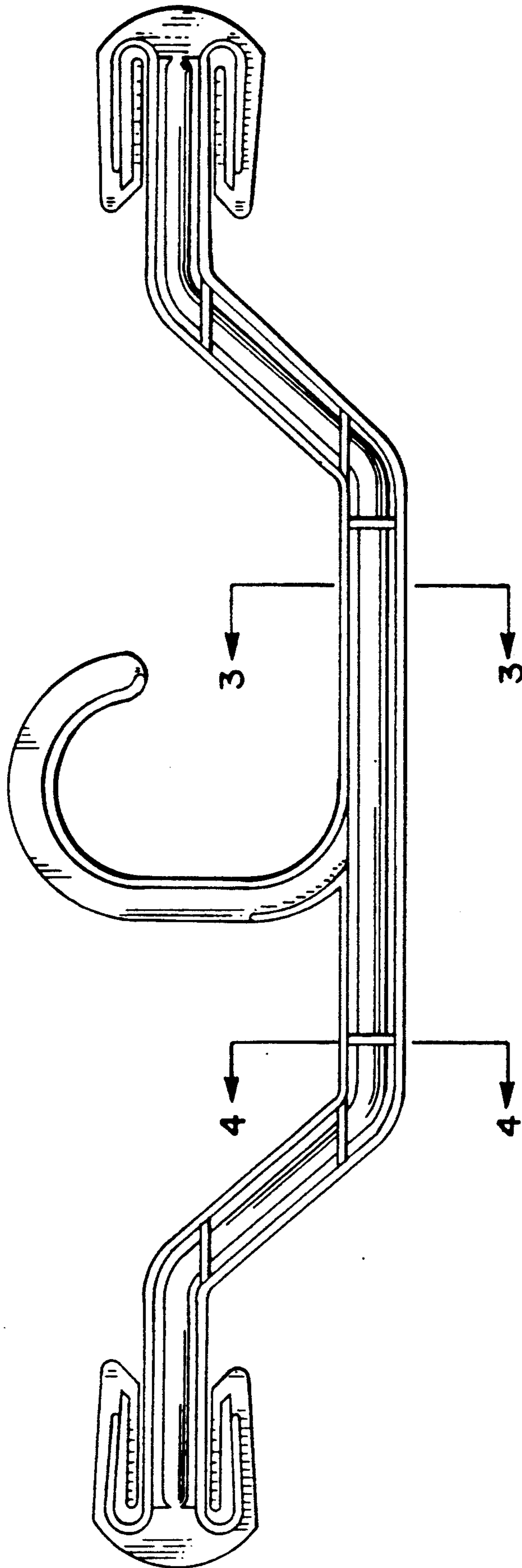


FIG. 1

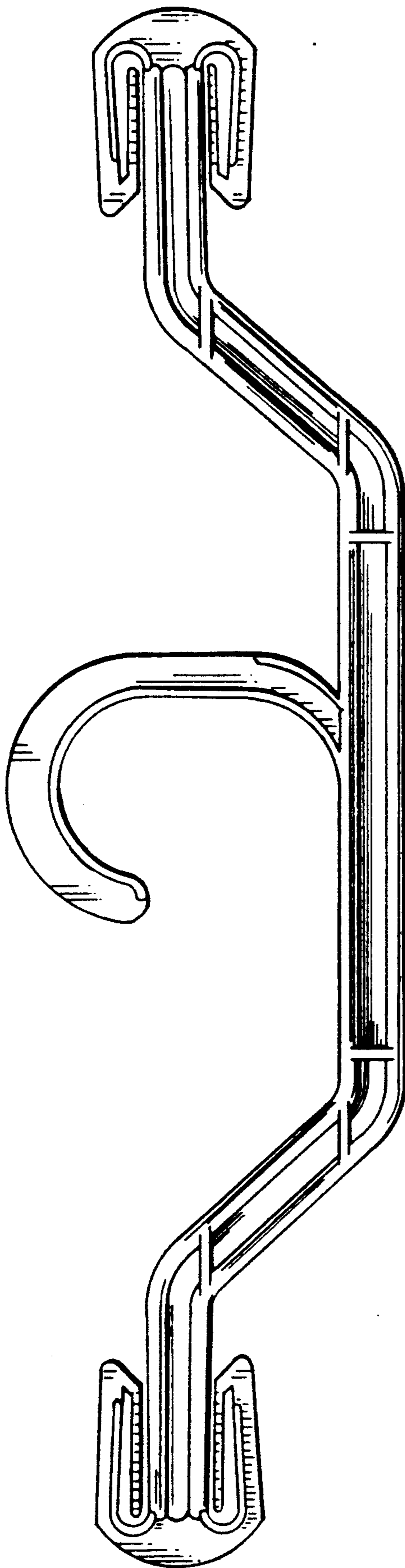


FIG. 2



FIG. 3



FIG. 4



FIG. 5



FIG. 6