



US00D348981S

**United States Patent** [19]  
**Dill**

[11] **Patent Number: Des. 348,981**

[45] **Date of Patent: \*\* Jul. 26, 1994**

[54] **HORIZONTAL HOLSTER FOR A PAGER**

[75] Inventor: **Scott L. Dill, Jeffrey S. King**; both of Boynton Beach, **William J. Scheid**, Coral Springs; all of Fla.

[73] Assignee: **Motorola, Inc.**, Schaumburg, Ill.

[\*\*] Term: **14 Years**

[21] Appl. No.: **633**

[22] Filed: **Oct. 19, 1992**

[52] U.S. Cl. .... **D3/218**

[58] Field of Search ..... **D3/100, 105, 106; 224/253, 252, 242, 267, 236, 240, 901; D14/138**

[56] **References Cited**

**U.S. PATENT DOCUMENTS**

- D. 280,466 9/1985 Seltzer et al. .... D3/106
- D. 321,885 11/1991 Sheldrake ..... D14/138 X
- D. 329,749 9/1992 Scheid ..... D3/106
- 4,948,022 8/1990 VanDyke ..... D3/106 X

**OTHER PUBLICATIONS**

Motorola, "OPTRX Display Data Radio Pager," 1985, U.S.A., R3-5-93C. On the page on which six pagers are

shown, the lower left photo shows the pager mounted in a holster; p. 4.

*Primary Examiner*—A. Hugo Word  
*Assistant Examiner*—Doris V. Coles  
*Attorney, Agent, or Firm*—R. Louis Breeden; Thomas G. Berry

[57] **CLAIM**

The ornamental design for a horizontal holster for a pager, as shown and described.

**DESCRIPTION**

FIG. 1 is a top orthographic view of the preferred embodiment of a horizontal holster for a pager showing our new design;

FIG. 2 is a front orthographic view thereof;

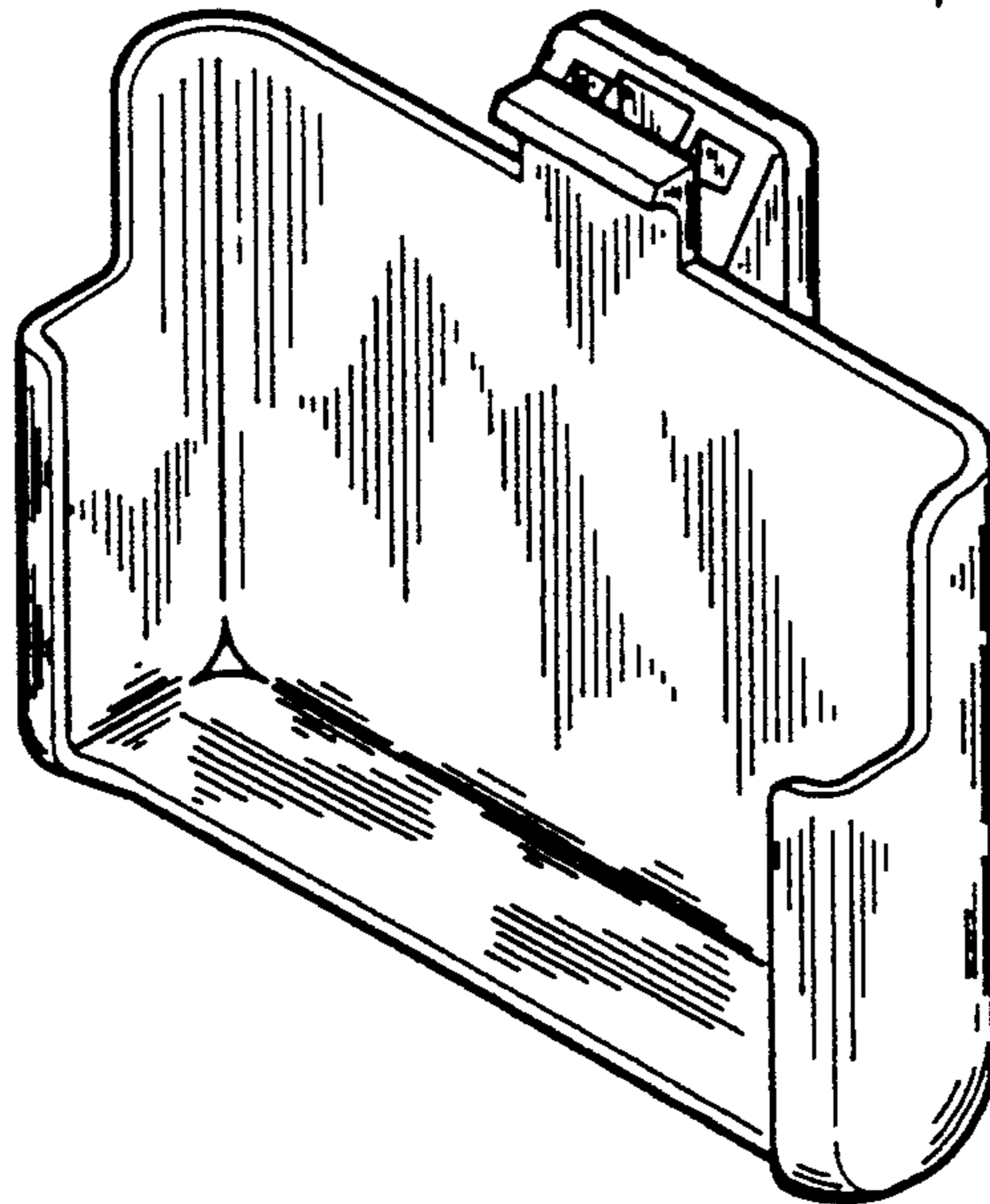
FIG. 3 is a left side orthographic view thereof;

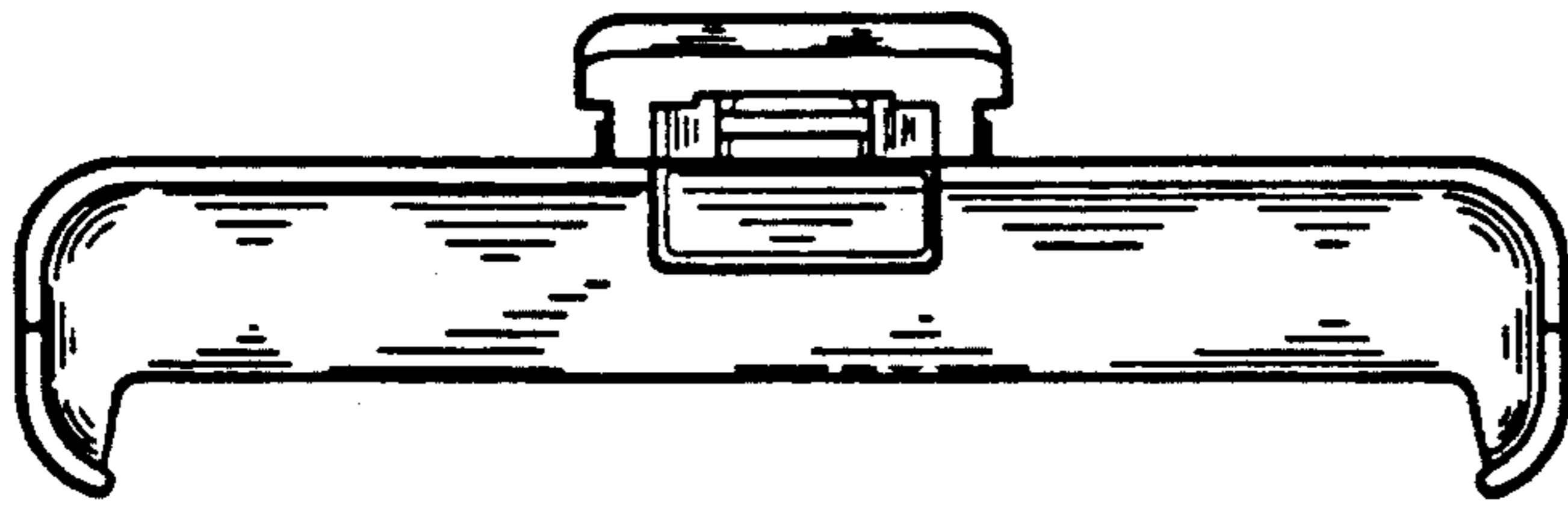
FIG. 4 is a bottom orthographic view thereof;

FIG. 5 is a rear orthographic view thereof;

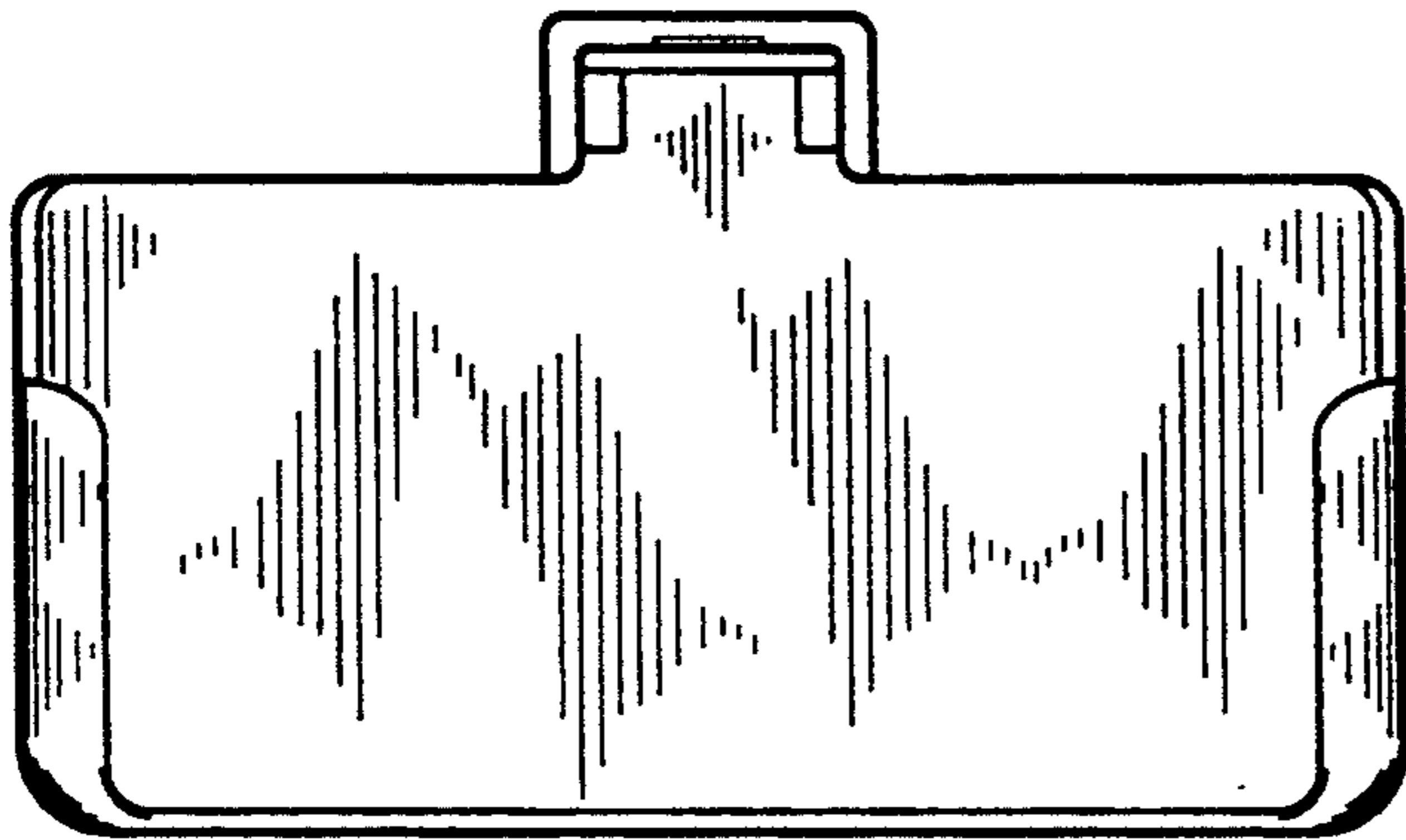
FIG. 6 is a right side orthographic view thereof; and,

FIG. 7 is a top, front, and right side perspective view thereof.

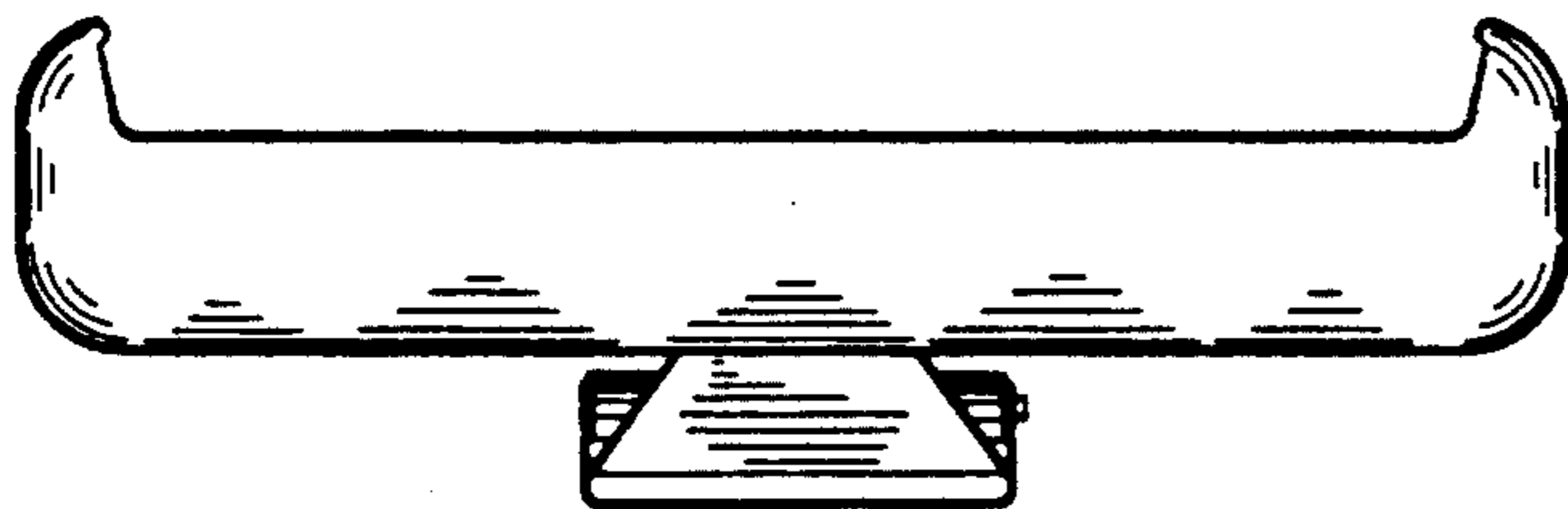




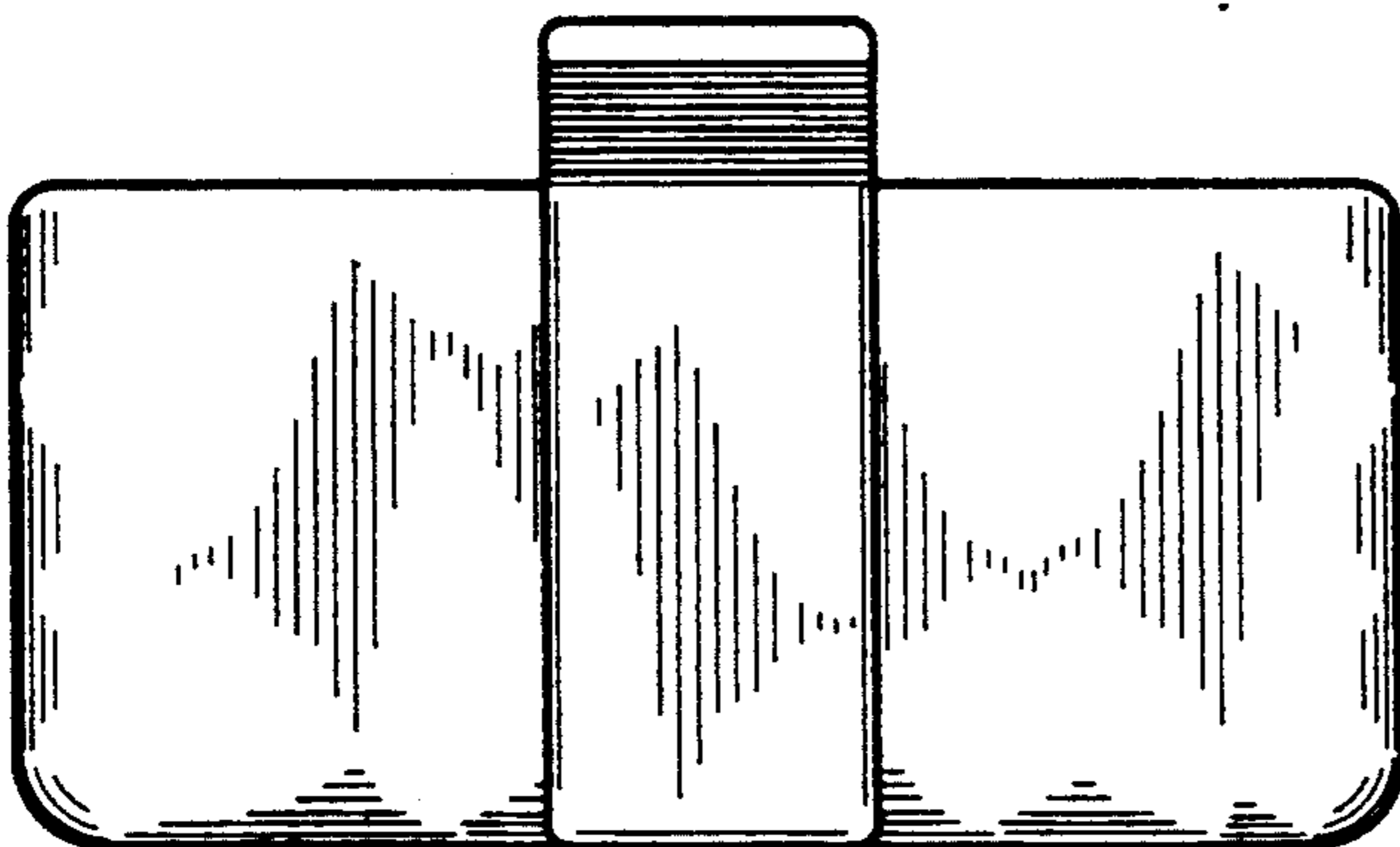
*FIG. 1*



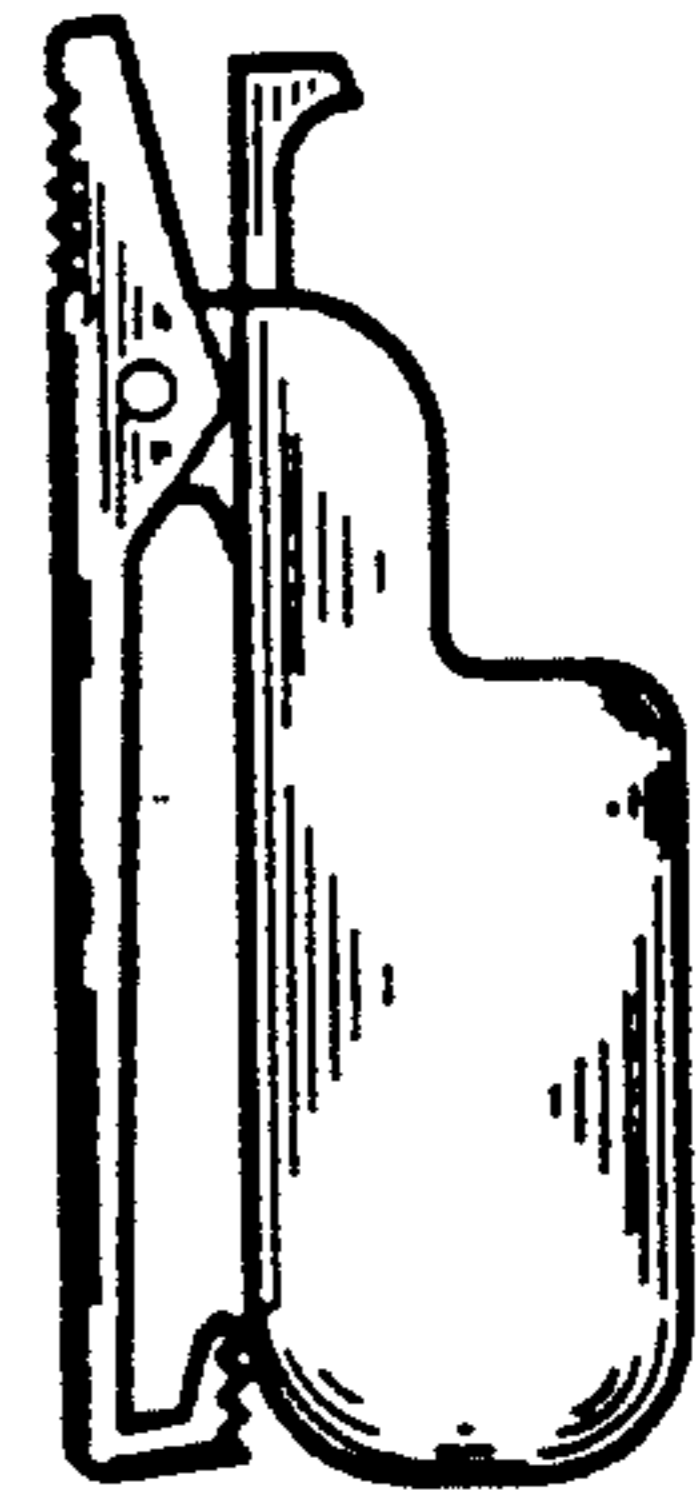
*FIG. 2*



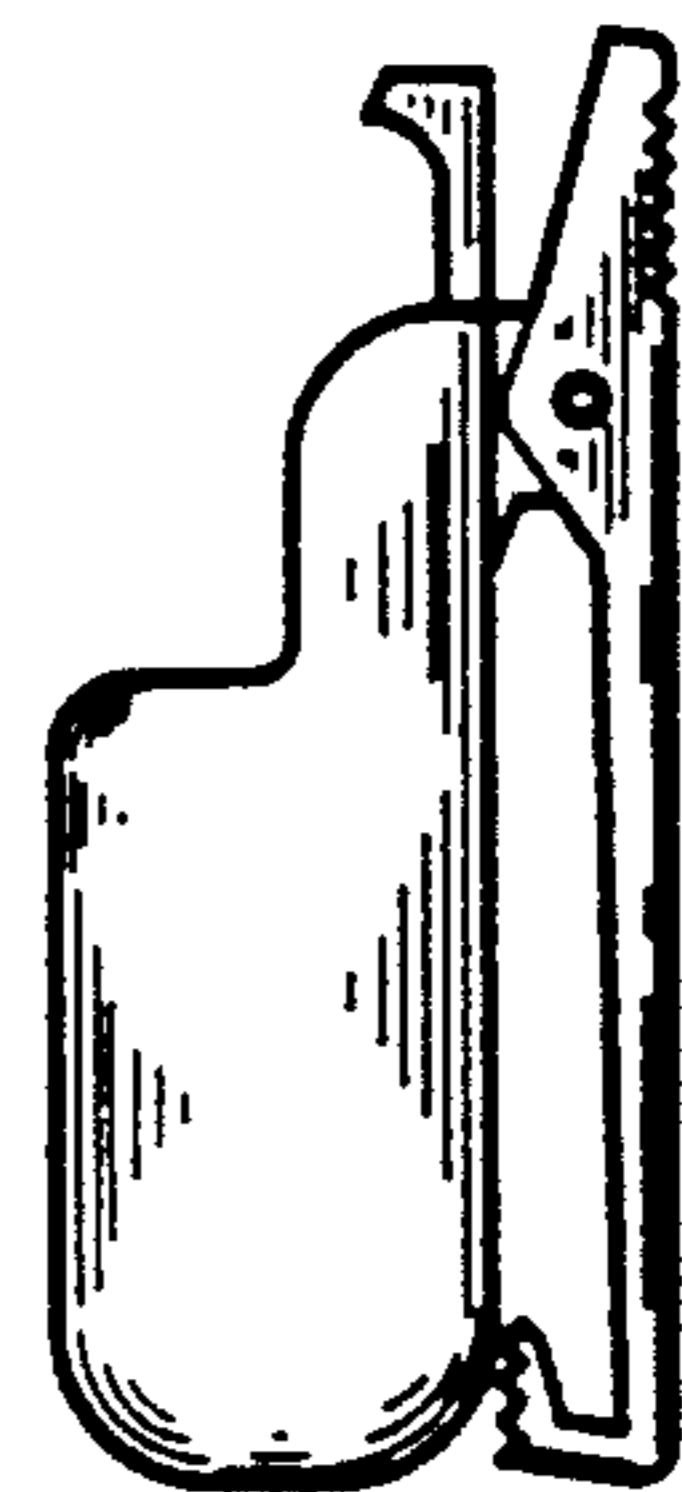
*FIG. 4*



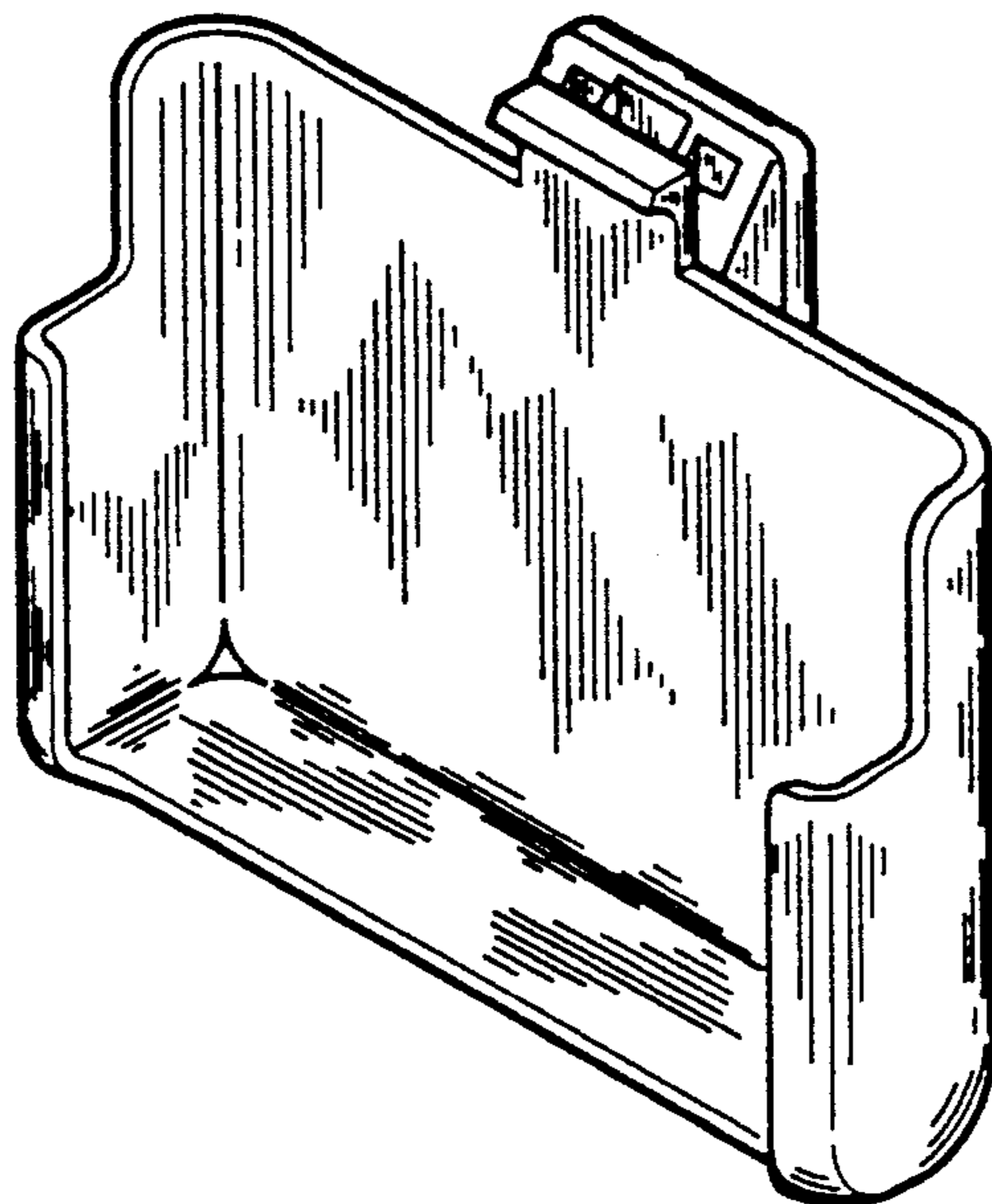
*FIG. 5*



*FIG. 3*



*FIG. 6*



*FIG. 7*