



US00D348980S

# United States Patent [19]

Mathews

[11] Patent Number: Des. 348,980

[45] Date of Patent: \*\* Jul. 26, 1994

[54] **CARRYING CASE FOR EYEGLASSES**

[75] Inventor: **John G. Mathews**, Providence, R.I.

[73] Assignee: **Uvex Safety, LLC**, Smithfield, R.I.

[\*\*] Term: **14 Years**

[21] Appl. No.: **685,569**

[22] Filed: **Apr. 12, 1991**

[52] U.S. Cl. .... **D3/265**

[58] Field of Search ..... **D3/30.1, 34, 74, 76, D3/73, 100; 206/316.1, 316.2, 316.3, 5, 5.1, 6**

[56] **References Cited**

**U.S. PATENT DOCUMENTS**

D. 309,676 8/1990 Alroy ..... **D3/34**

*Primary Examiner*—A. Hugo Word

*Assistant Examiner*—Celia A. Murphy  
*Attorney, Agent, or Firm*—Salter, Michaelson & Benson

[57] **CLAIM**

The ornamental design for a carrying case for eyeglasses, as shown and described.

**DESCRIPTION**

FIG. 1 is a perspective view of a carrying case for eyeglasses showing my new design;

FIG. 2 is a front elevational view thereof;

FIG. 3 is a rear elevational view thereof;

FIG. 4 is a right side elevational view thereof;

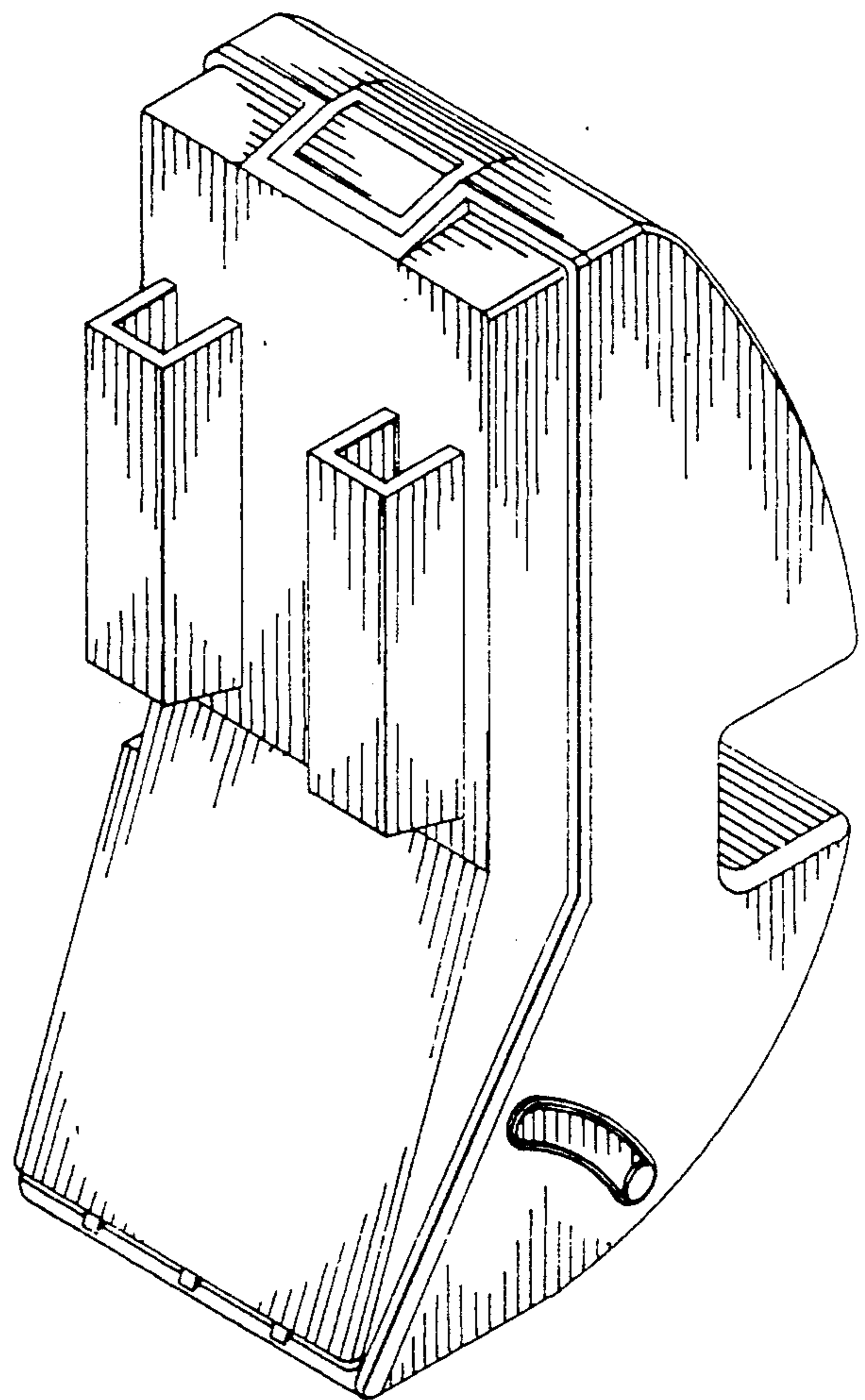
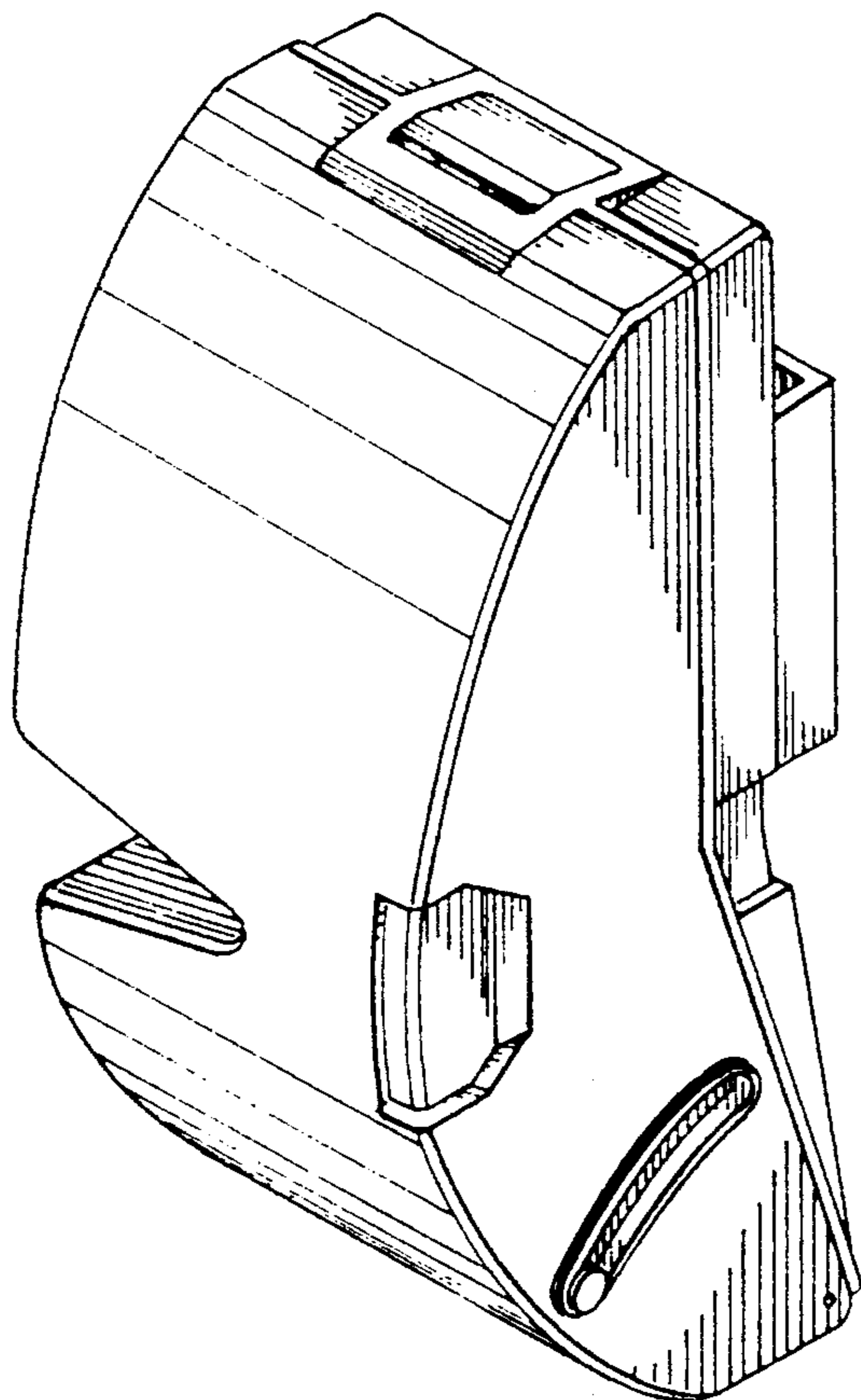
FIG. 5 is a left side elevational view thereof;

FIG. 6 is a bottom plan view thereof;

FIG. 7 is a top plan view thereof;

FIG. 8 is a top rear perspective view thereof; and,

FIG. 9 is a bottom rear perspective view thereof.



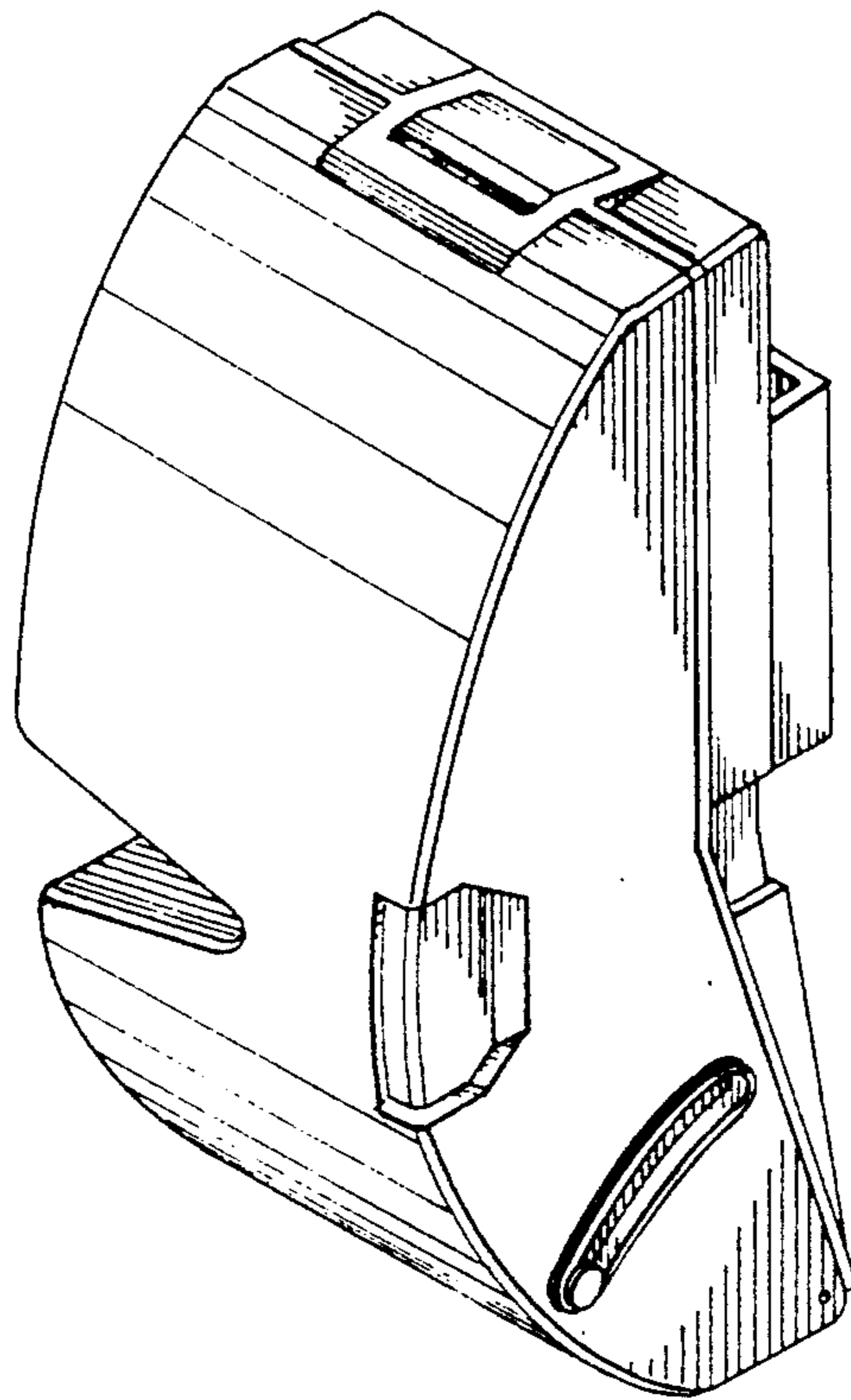


FIG. 1

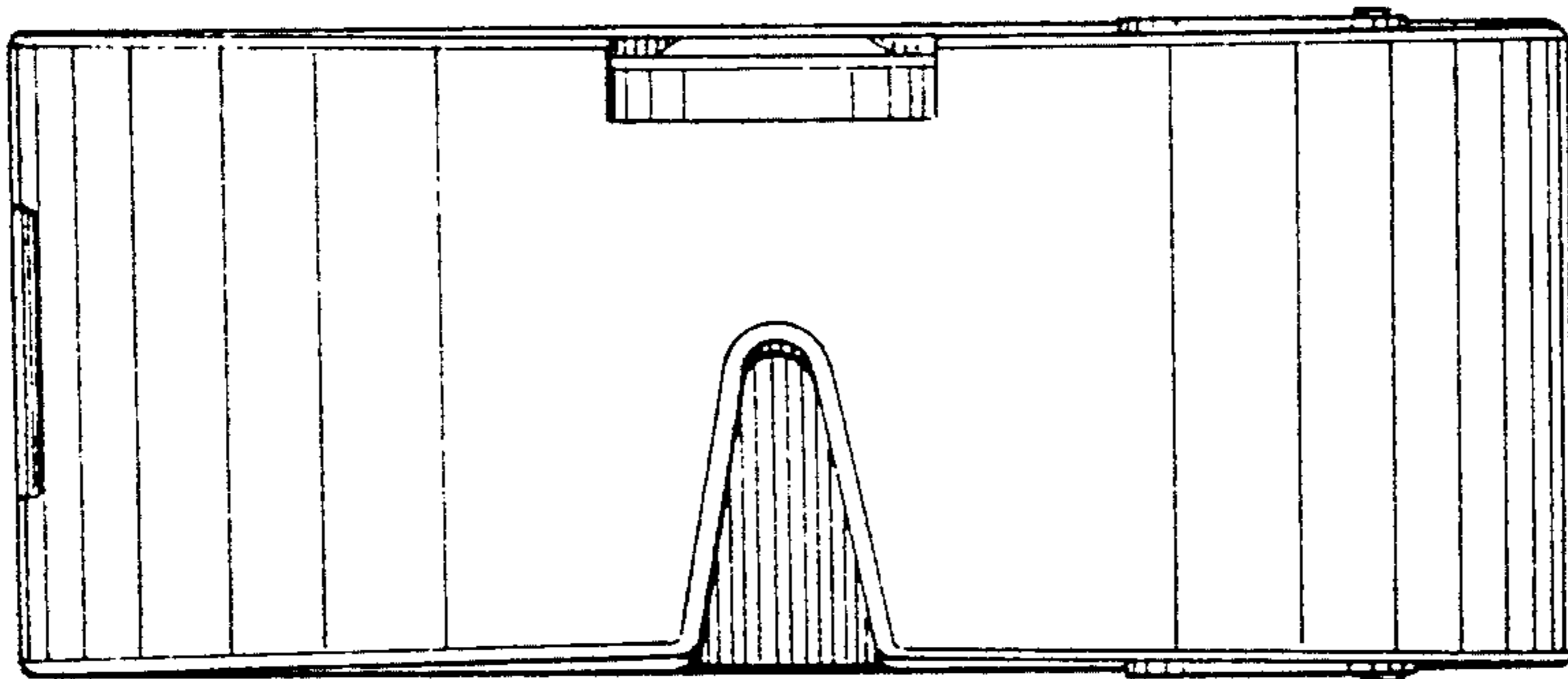


FIG. 2

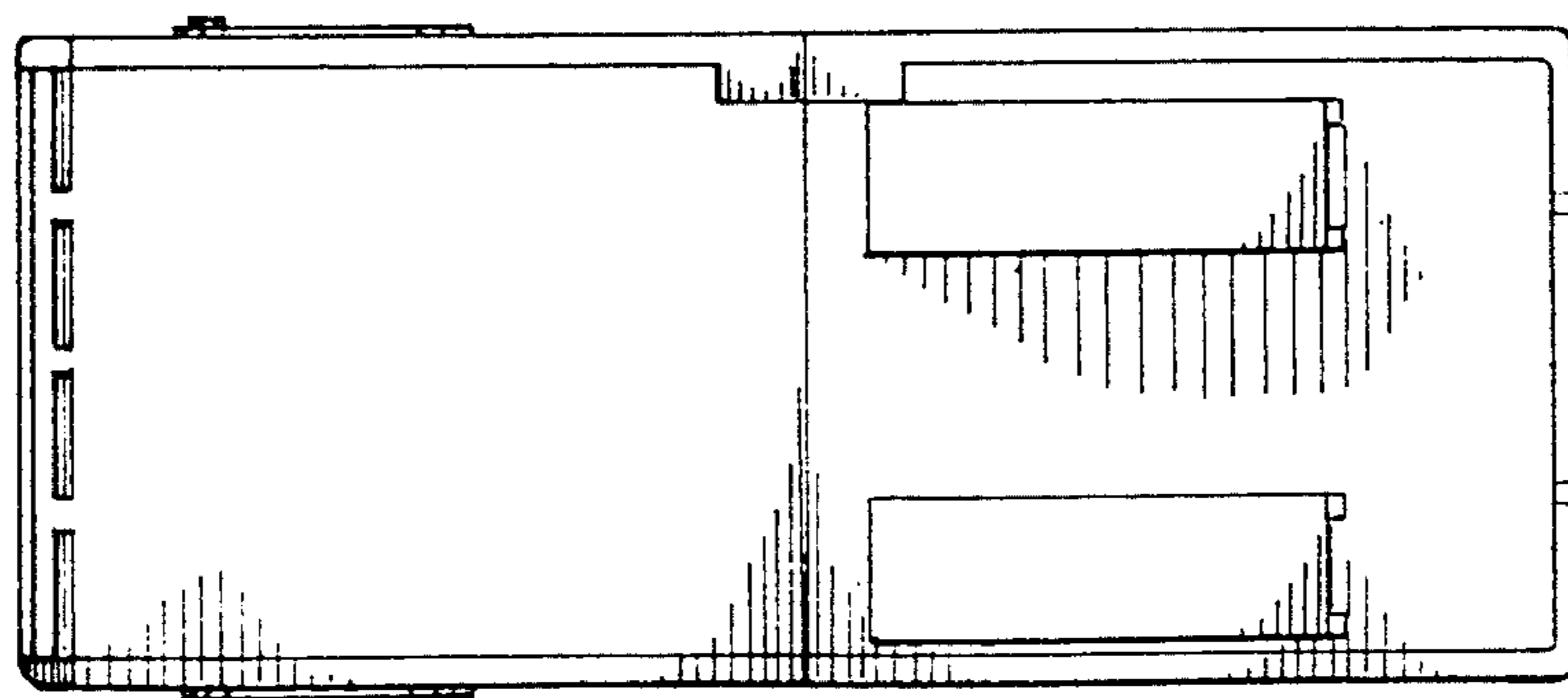


FIG. 3

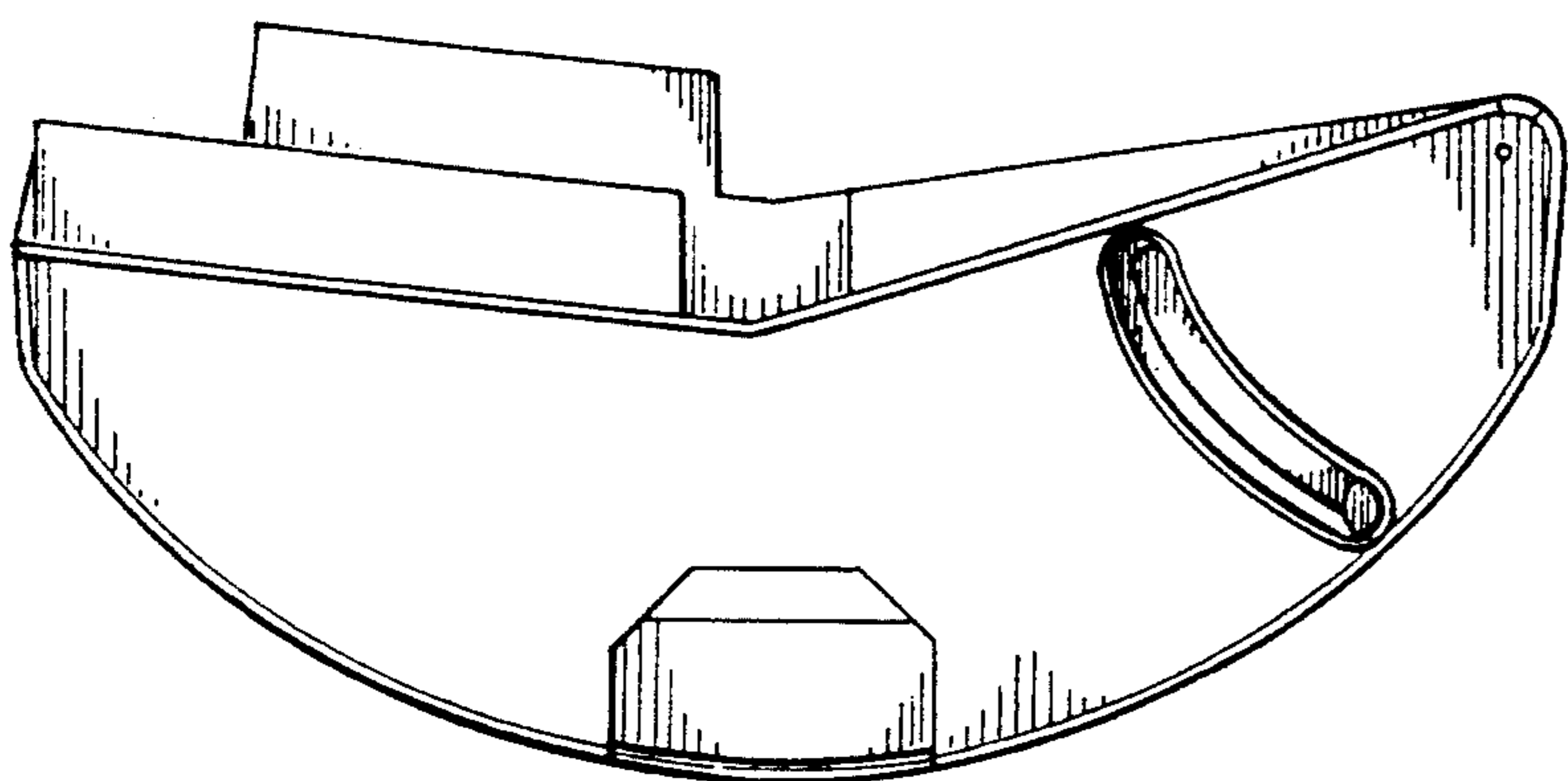


FIG. 4

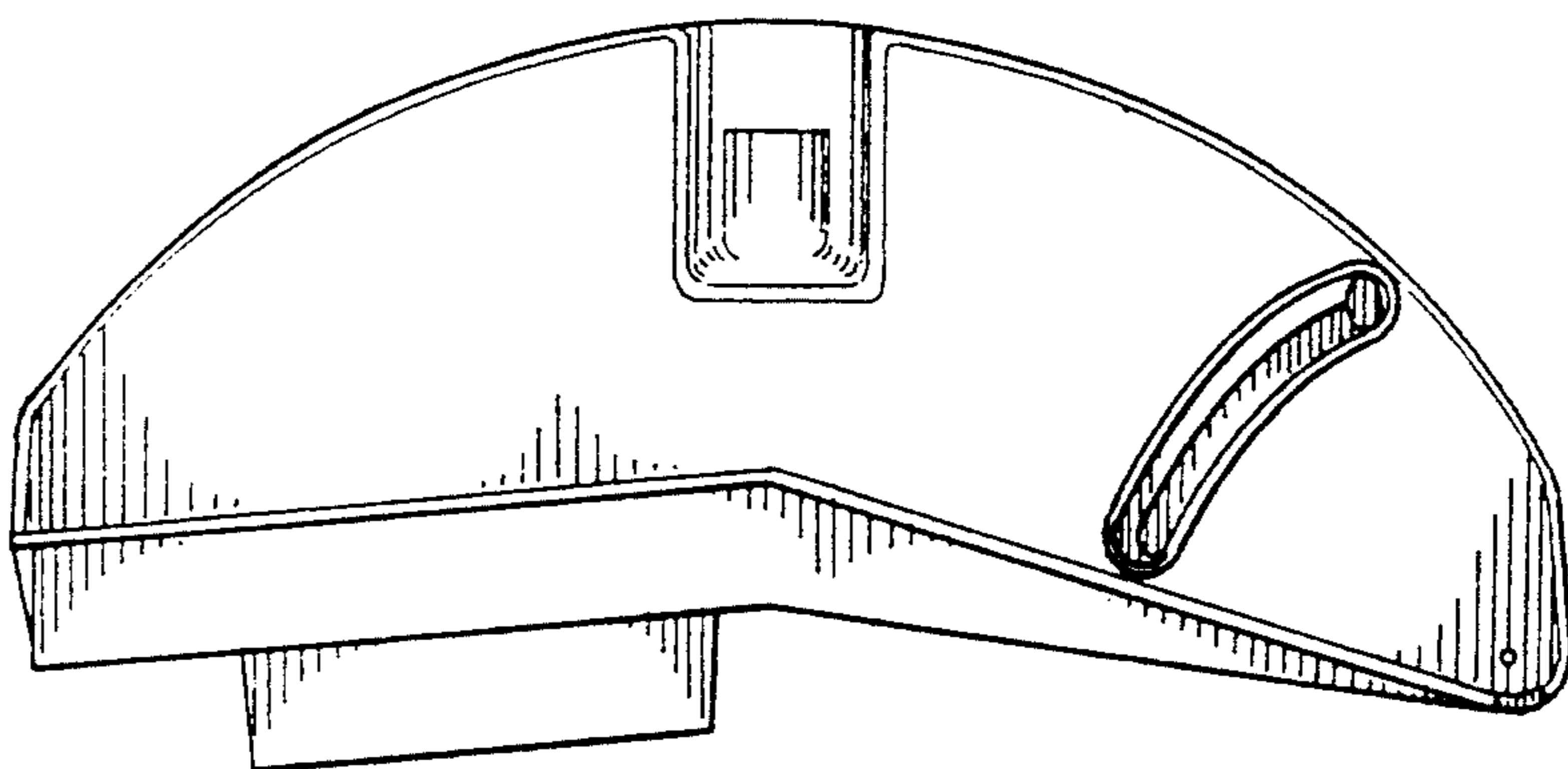


FIG. 5

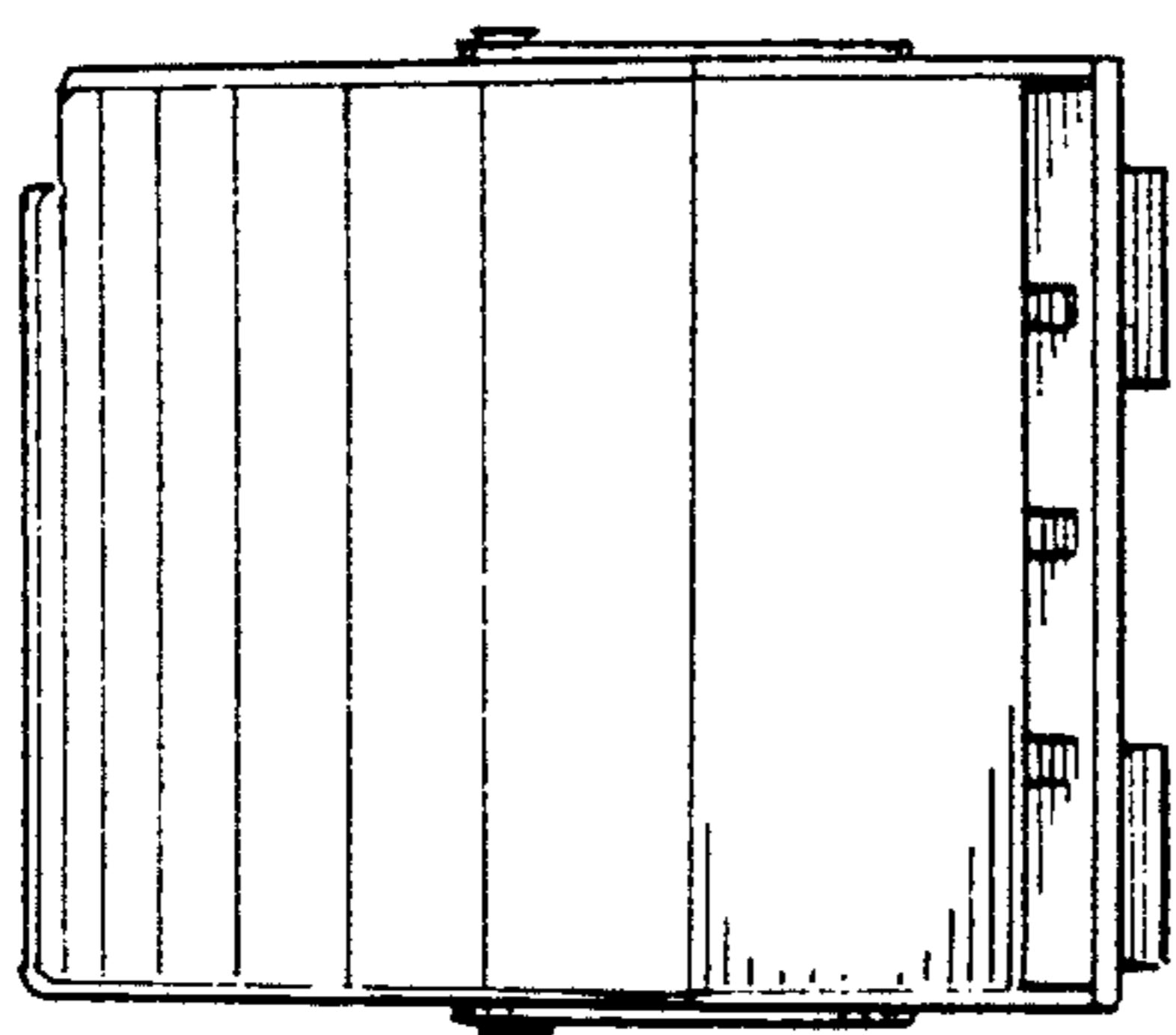


FIG. 6

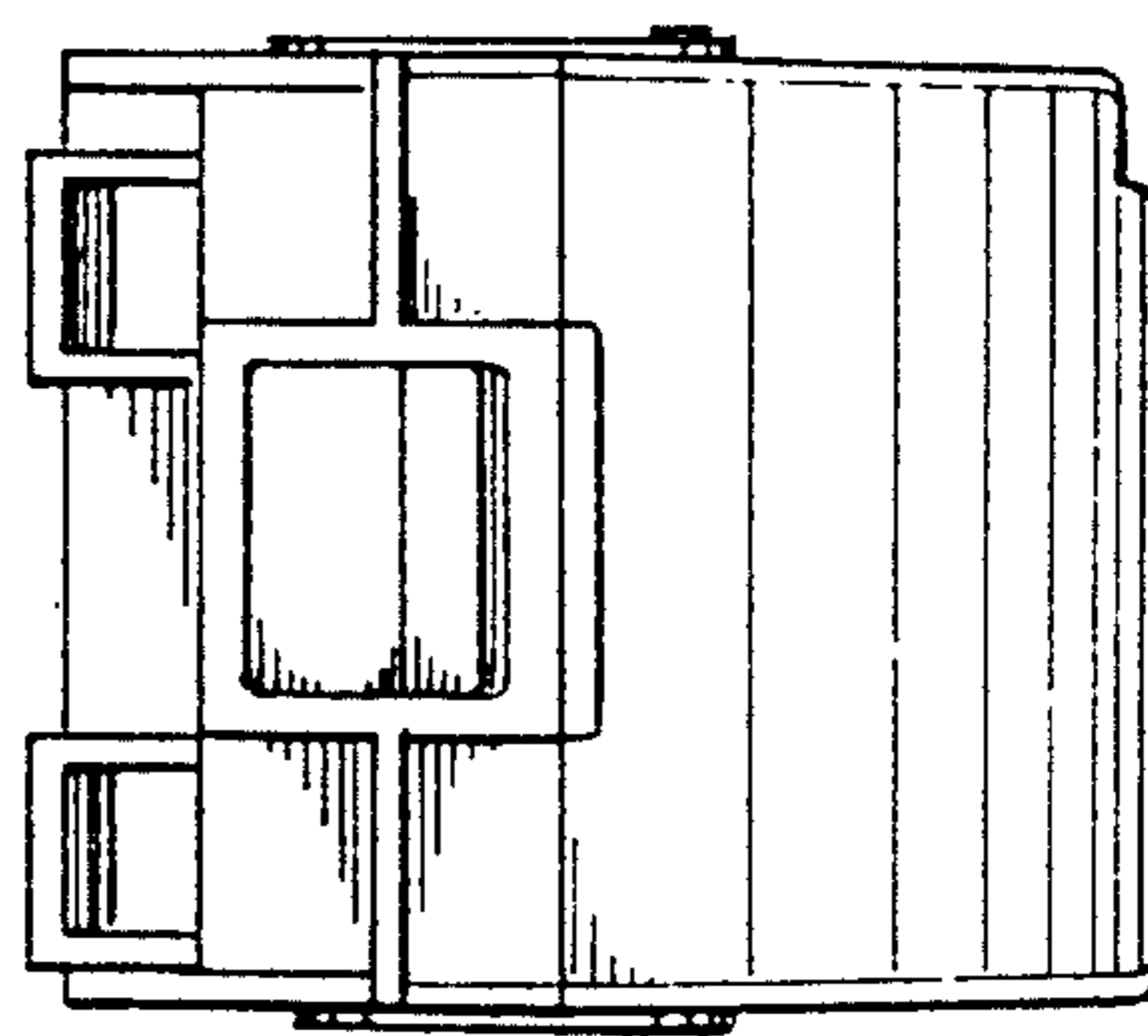


FIG. 7

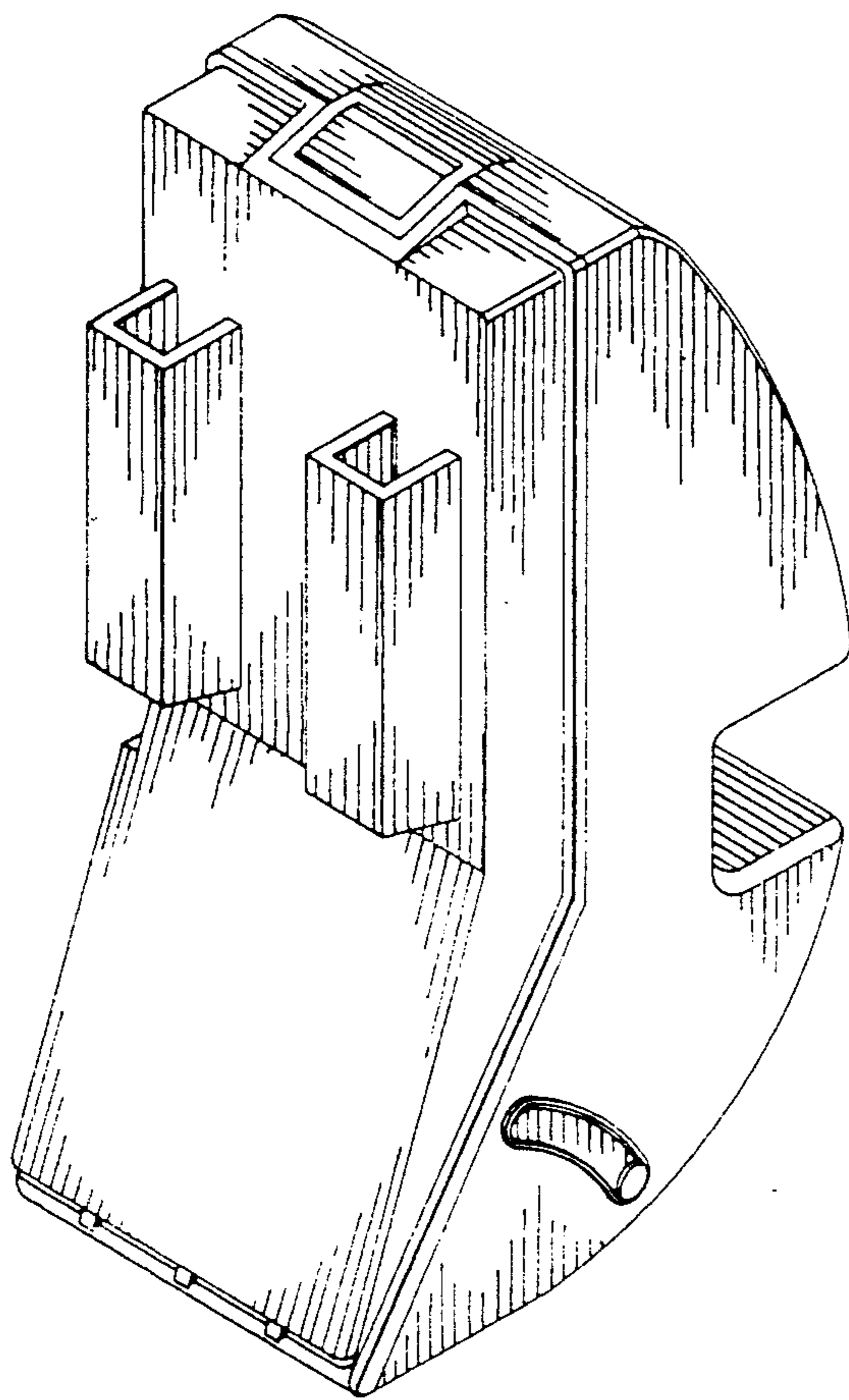


FIG. 8

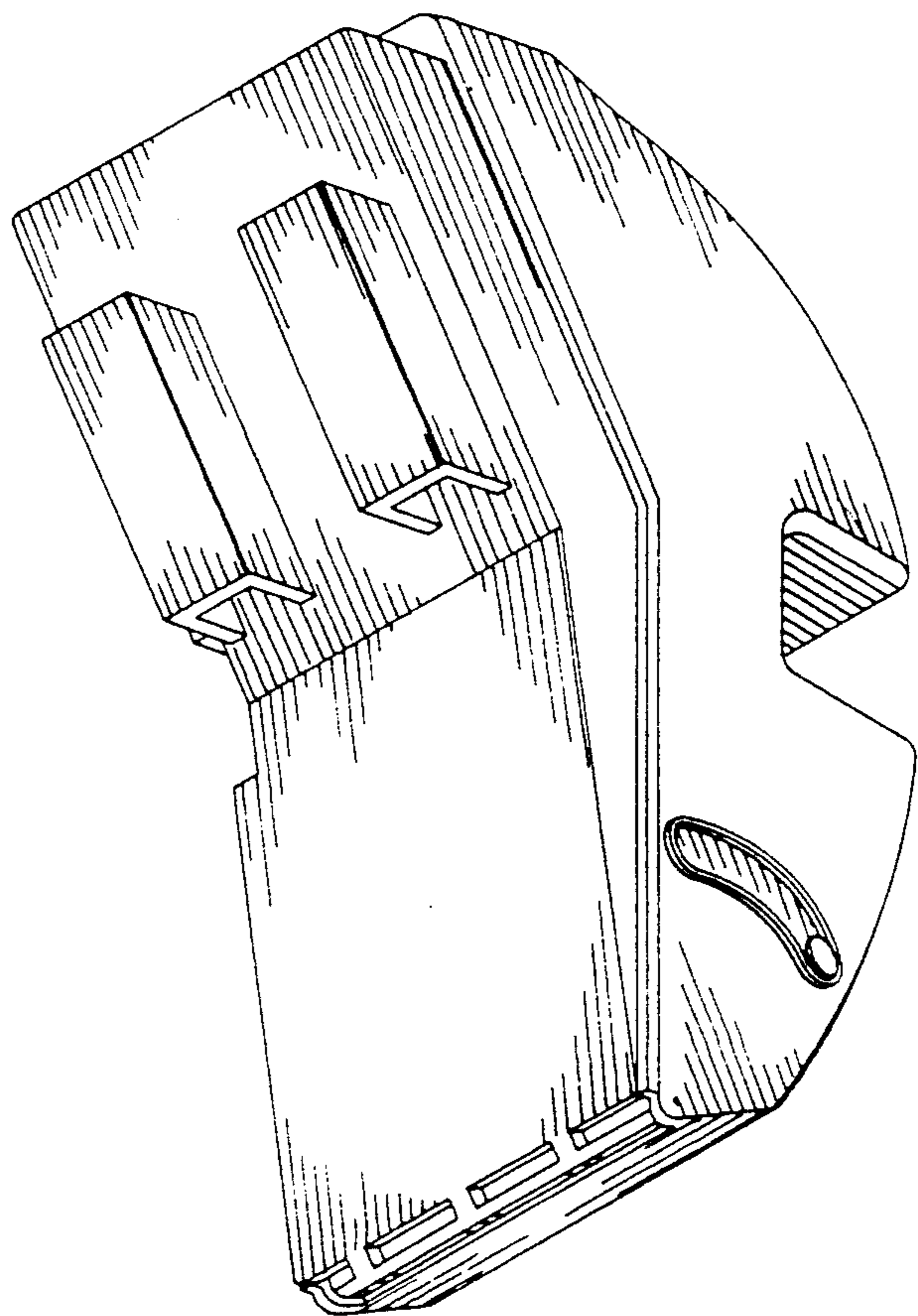


FIG. 9