



US00D348971S

United States Patent [19]

[11] Patent Number: **Des. 348,971**

Jones

[45] Date of Patent: *** Jul. 26, 1994**

[54] **CRISS CROSS BODY HARNESS WITH WALLET**

[76] Inventor: **Donald Jones**, Suite 55, 8740 Maple Grove Crescent, Burnaby, British Columbia, Canada, V5A 4G5

[*] Notice: The portion of the term of this patent subsequent to Dec. 26, 2006 has been disclaimed.

[**] Term: **14 Years**

[21] Appl. No.: **349,510**

[22] Filed: **May 9, 1989**

[30] **Foreign Application Priority Data**

Sep. 23, 1986 [CA] Canada 57295
 [52] U.S. Cl. **D2/627**
 [58] Field of Search 224/226, 191; D2/627; D3/106; 383/75; 2/310, 334; D29/11, 10, 224

[56] **References Cited**

U.S. PATENT DOCUMENTS

D. 247,921	5/1978	Goldberg	D3/106
667,078	11/1901	Ferry	2/334
950,452	2/1910	Montgomery	224/226 X
2,011,010	8/1935	Peters	D3/106 X
2,636,175	4/1953	Hoffman, Jr.	D2/627 X
4,815,510	3/1989	Edelist	150/143 X

FOREIGN PATENT DOCUMENTS

57295 10/1986 Canada .

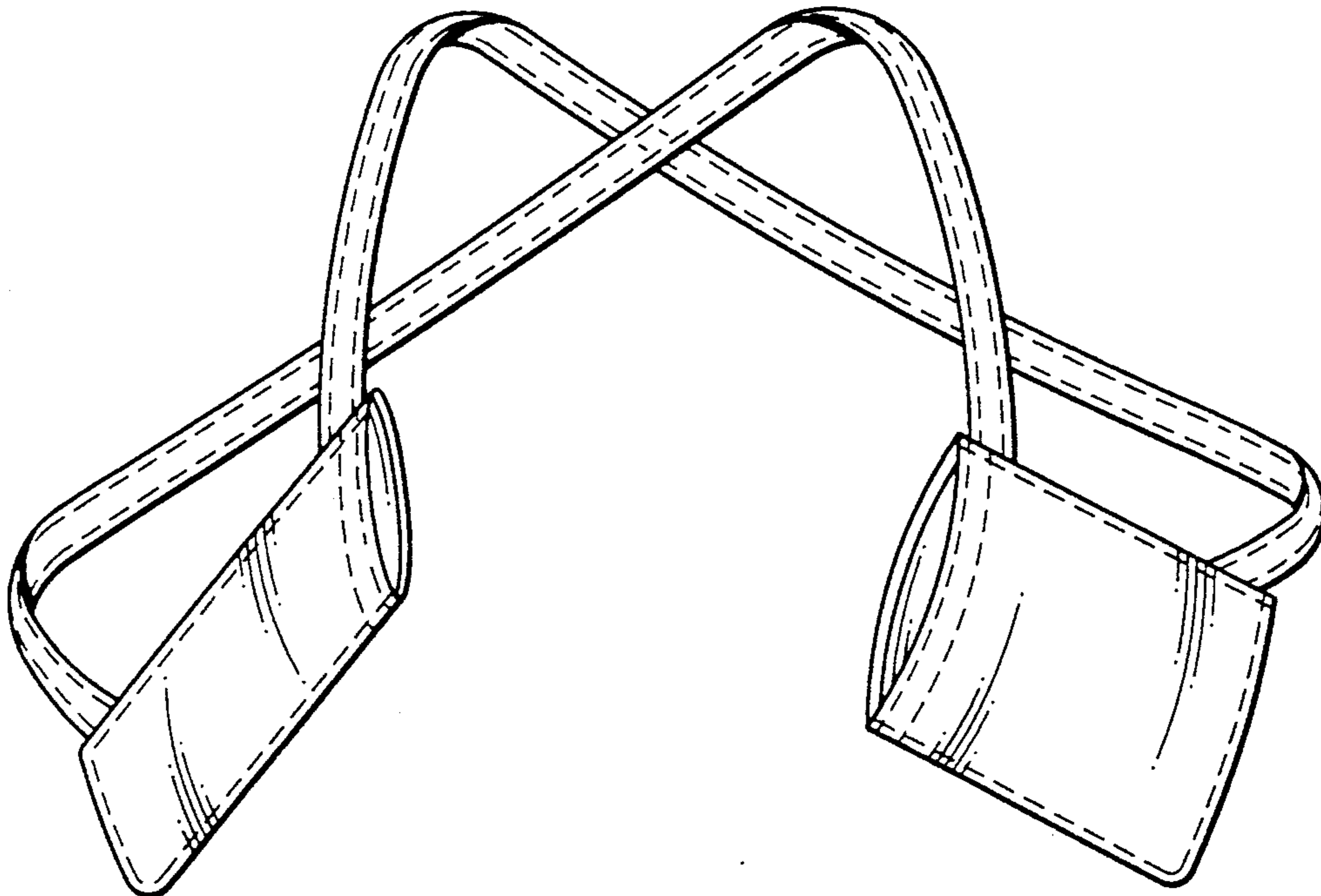
Primary Examiner—Melvin B. Feifer
Assistant Examiner—Paula Mortimer
Attorney, Agent, or Firm—Wells, St. John, Roberts, Gregory & Matkin

[57] **CLAIM**

The ornamental design for a criss cross body harness with a wallet, as shown and described.

DESCRIPTION

FIG. 1 is a front perspective view of a criss cross body harness with wallet showing my new design; and, FIG. 2 is a rear perspective view thereof.



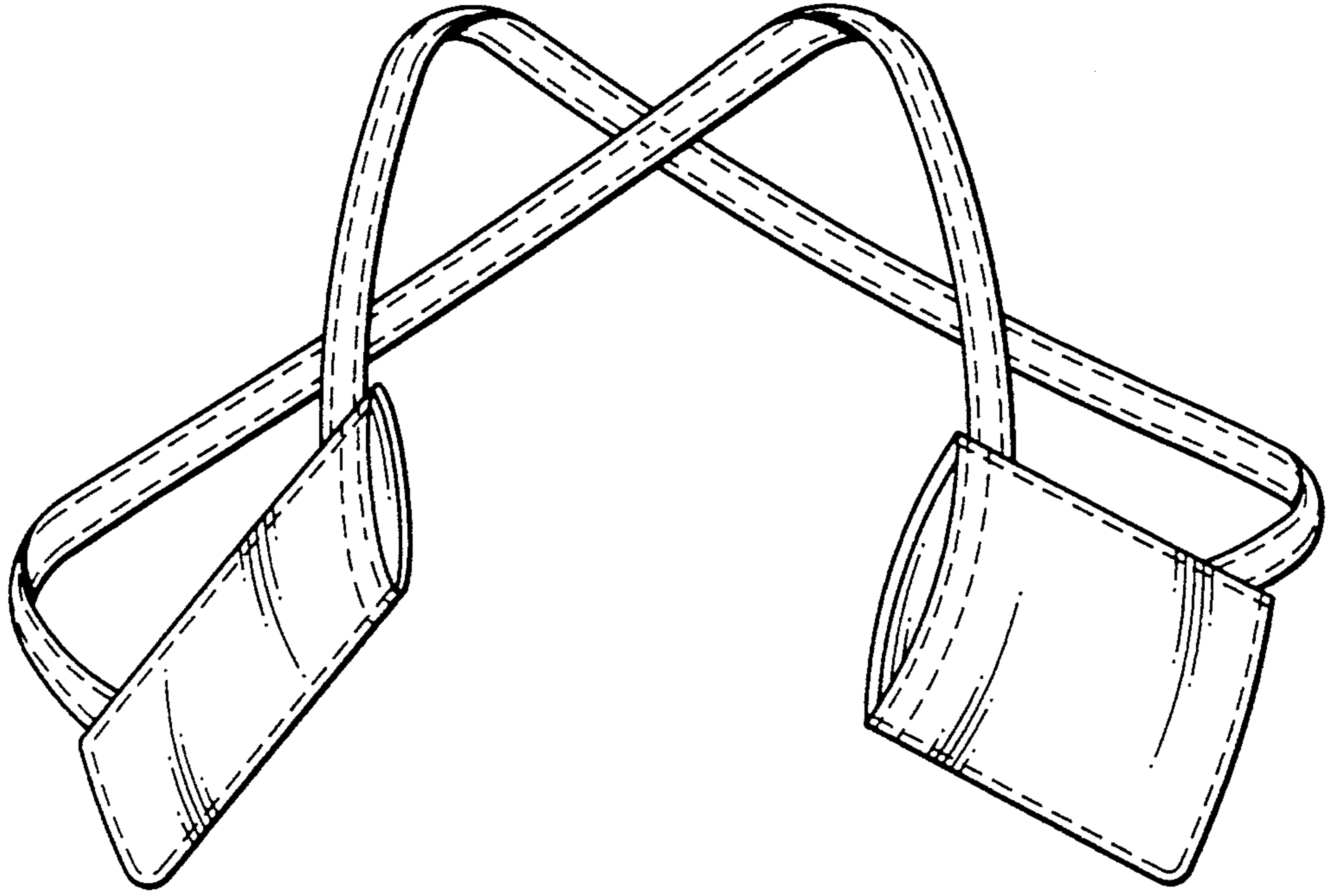


Fig. 1

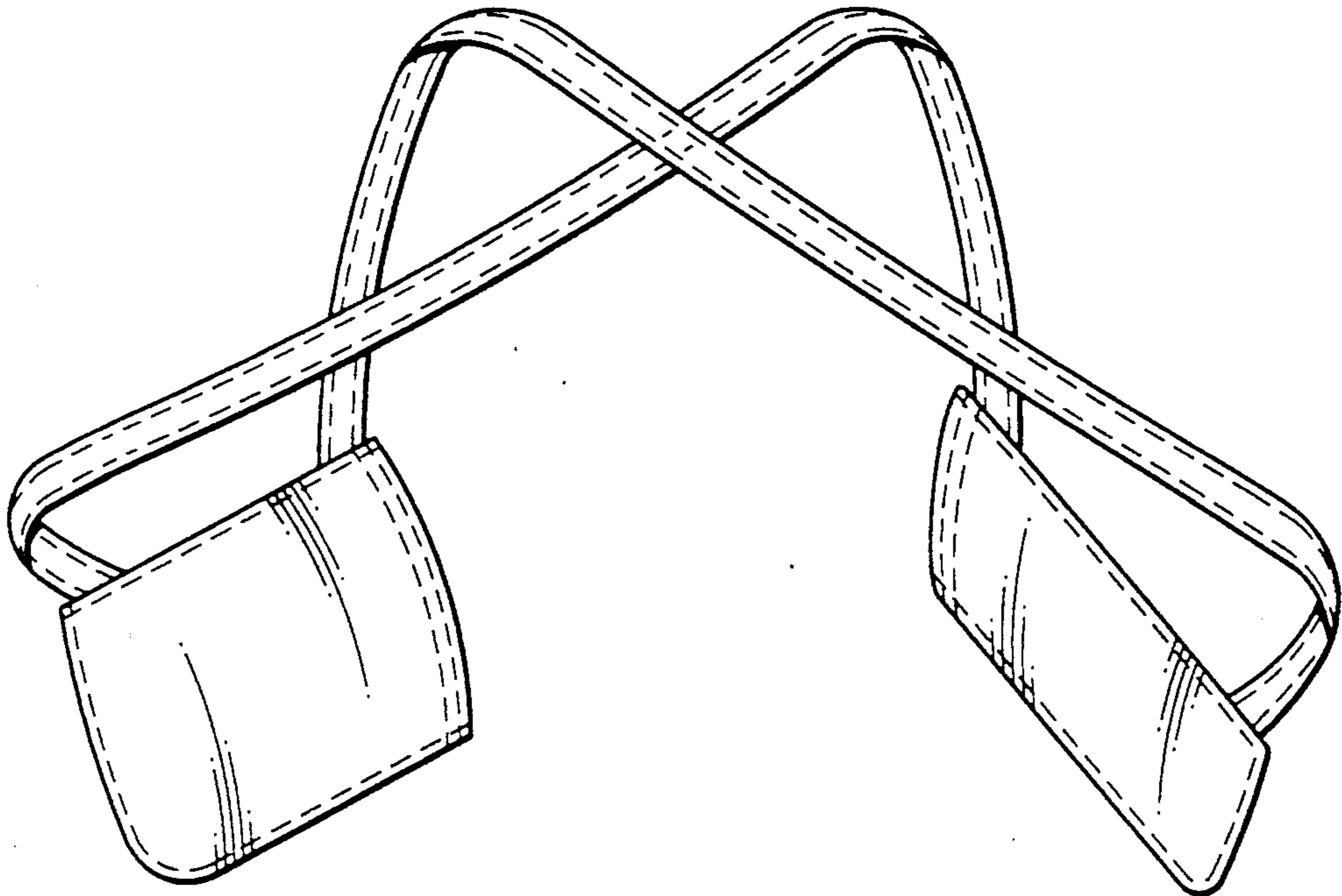


Fig. 2