



US00D348968S

United States Patent [19]
Elejaga

[11] **Patent Number: Des. 348,968**
[45] **Date of Patent: ** Jul. 19, 1994**

[54] **PULLING AND LIFTING WINCH**

[75] **Inventor: José M. Elejaga, Getxo, Spain**
[73] **Assignee: ALBA Maquinaria para la
Construcción S.A., Sondika, Spain**
[**] **Term: 14 Years**
[21] **Appl. No.: 841,454**
[22] **Filed: Feb. 27, 1992**

[30] **Foreign Application Priority Data**
Aug. 28, 1991 [ES] Spain 125,768
[52] **U.S. Cl. D34/35; D34/28**
[58] **Field of Search 254/264, 252; D34/28,
D34/33, 34, 35**

[56] **References Cited**
U.S. PATENT DOCUMENTS
1,920,686 8/1933 Faure 254/264
3,528,139 9/1970 Desplats 254/264
3,916,487 11/1975 Rinio 254/264
4,480,816 11/1984 Gortan 254/264

FOREIGN PATENT DOCUMENTS

226416 8/1962 Austria 254/264

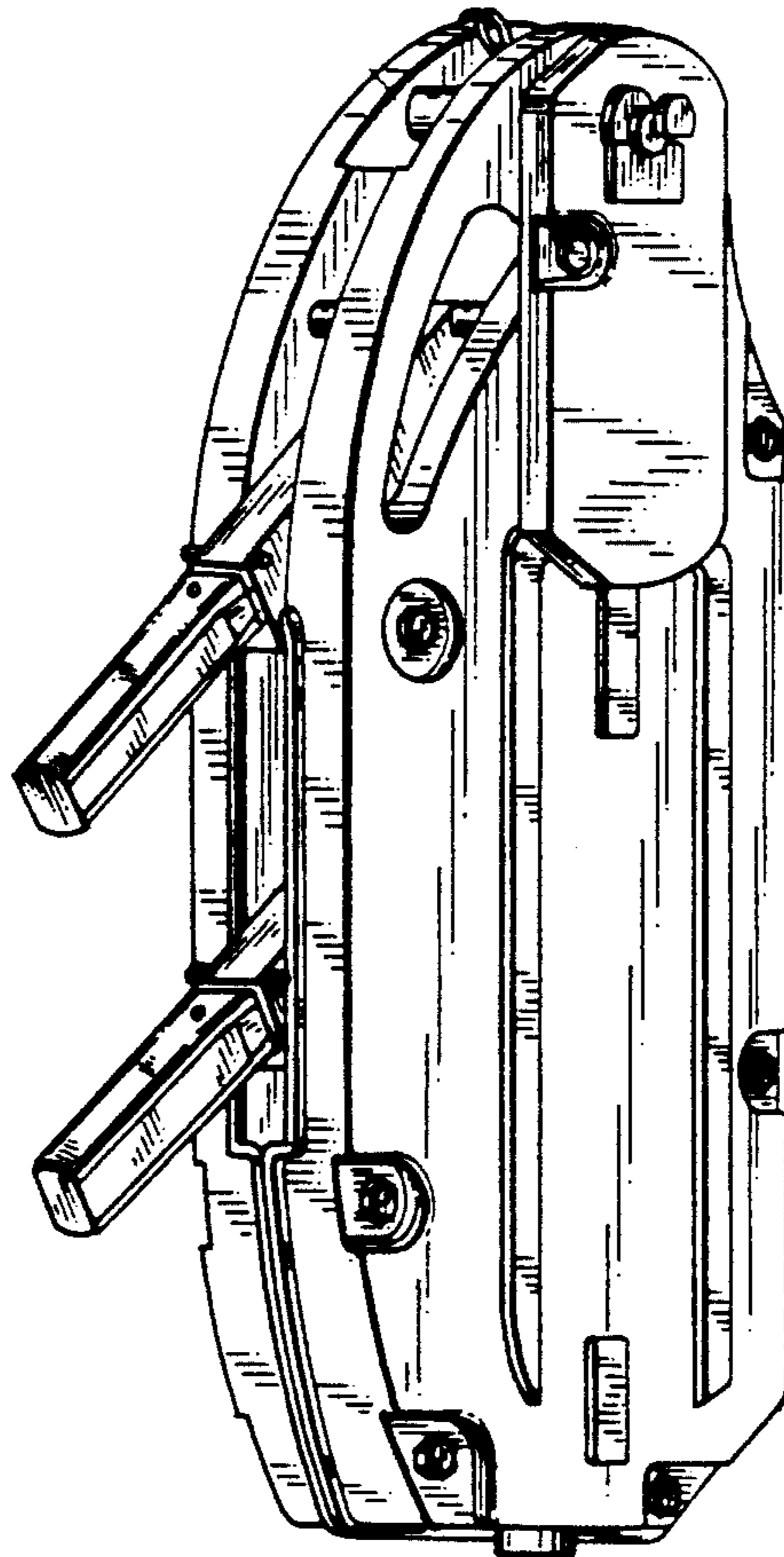
Primary Examiner—Kay H. Chin
Attorney, Agent, or Firm—Browdy and Neimark

[57] **CLAIM**

The ornamental design for a pulling and lifting winch, as shown and described.

DESCRIPTION

FIG. 1 is a left side elevational view of a pulling and lifting winch showing my new design;
FIG. 2 is a top plan view thereof;
FIG. 3 is a right side elevational view thereof;
FIG. 4 is a front elevational view thereof;
FIG. 5 is a rear elevational view thereof;
FIG. 6 is a left side elevational view of a second embodiment of the pulling and lifting winch;
FIG. 7 is a top plan view of FIG. 6;
FIG. 8 is a right side elevational view of FIG. 6;
FIG. 9 is a front elevational view of FIG. 6;
FIG. 10 is a rear elevational view of FIG. 6;
FIG. 11 is a perspective view of the embodiment of the invention shown in FIG. 1; and,
FIG. 12 is a perspective view of the embodiment of the invention shown in FIG. 6.



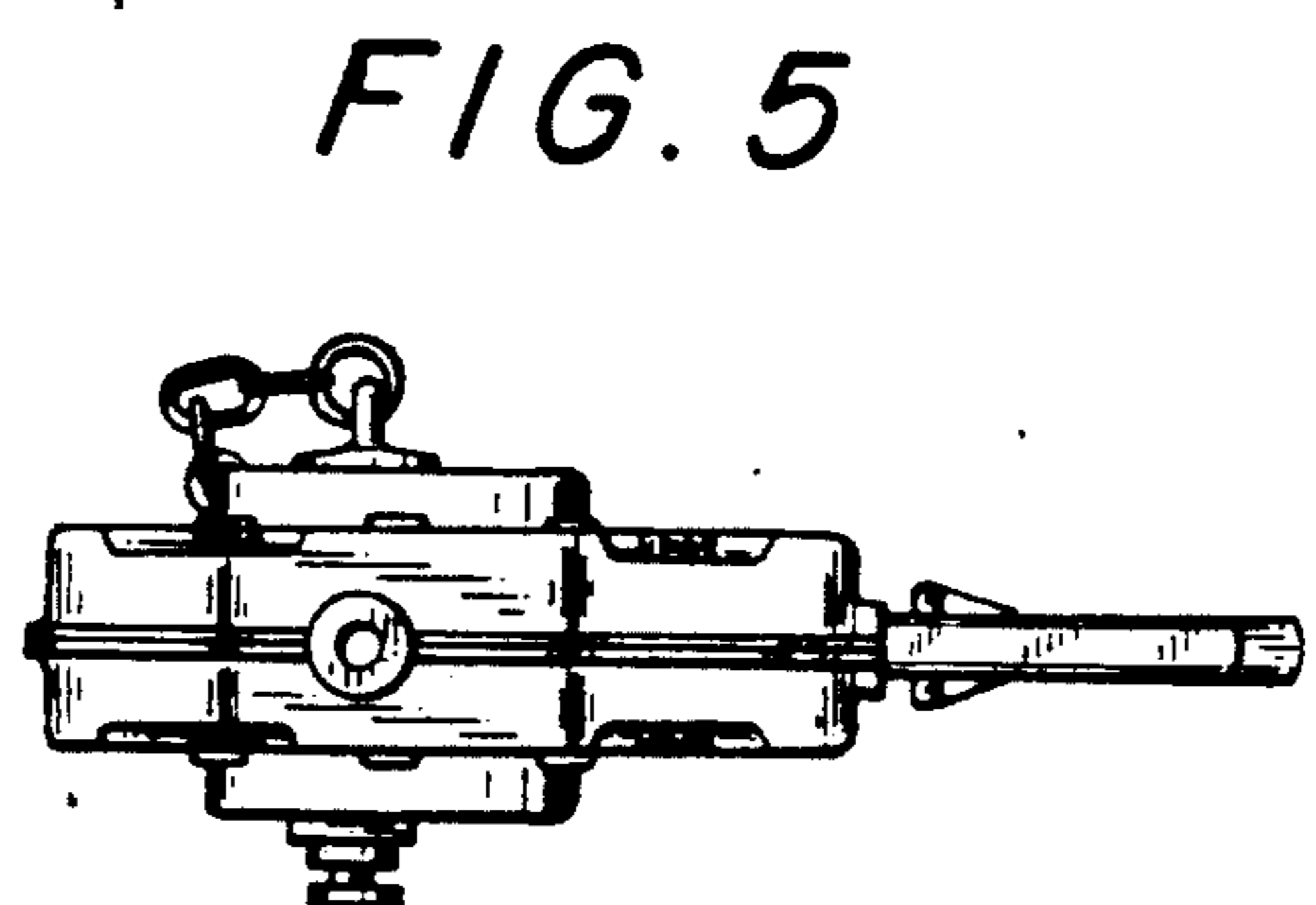
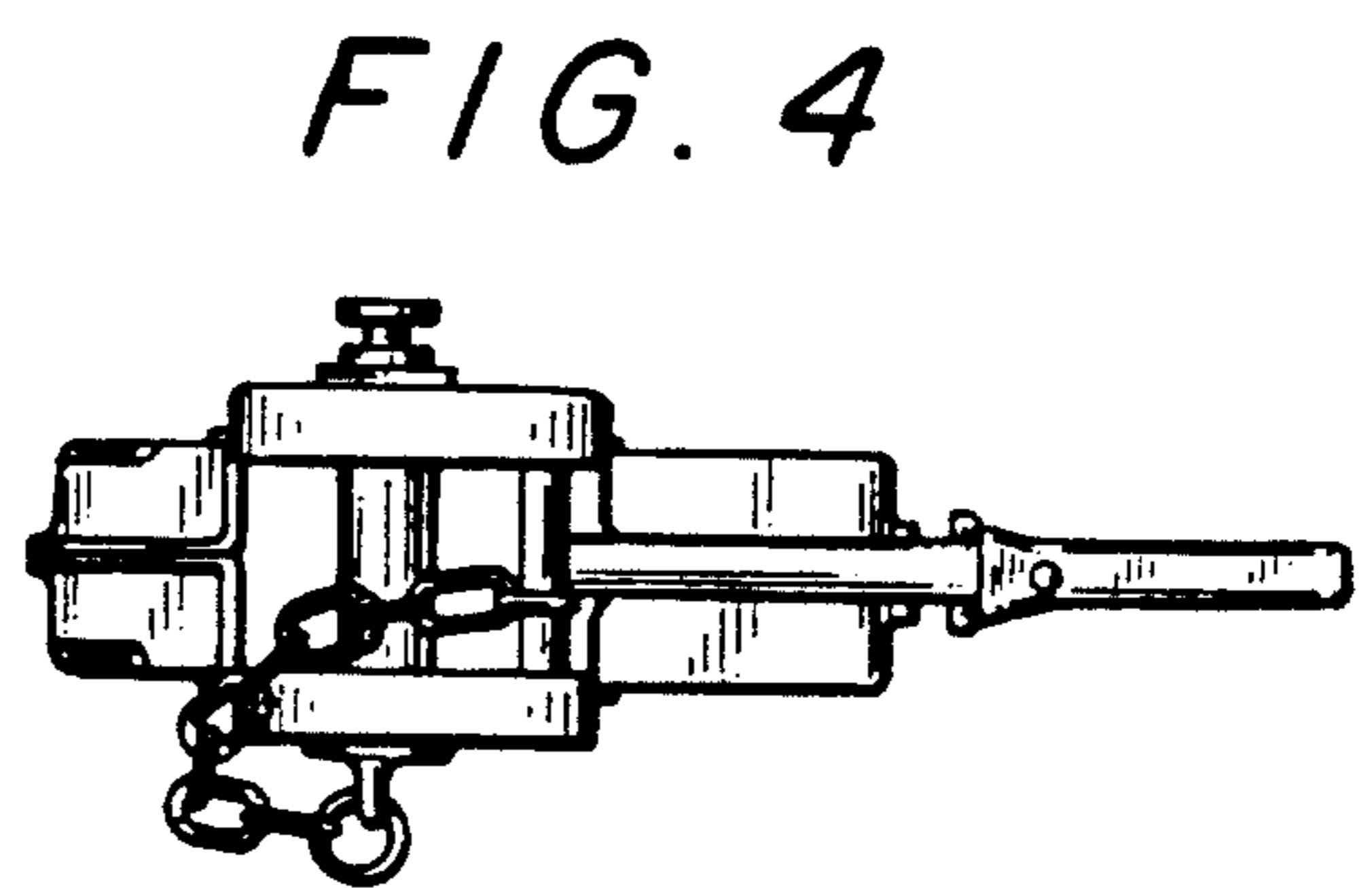
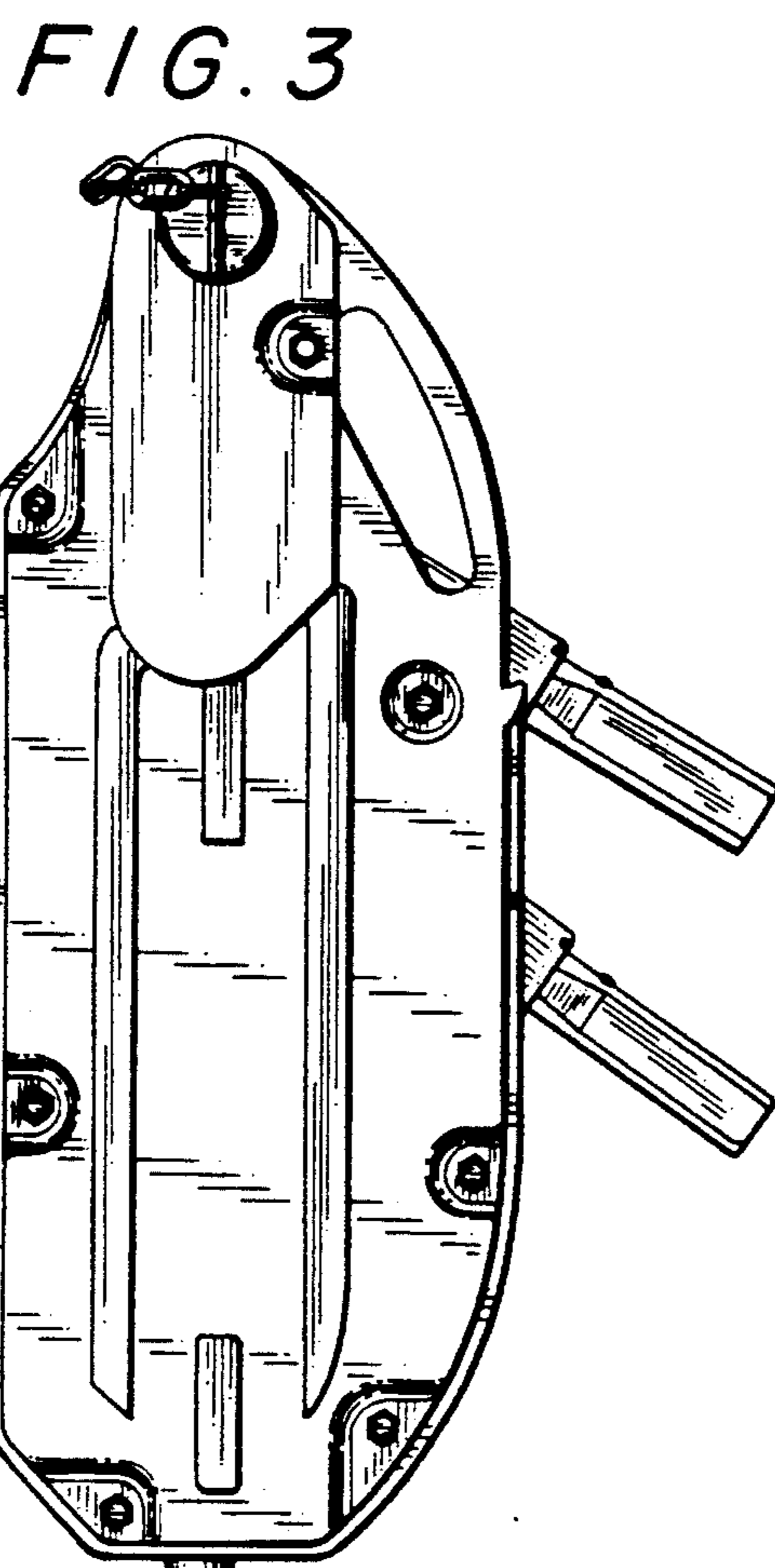
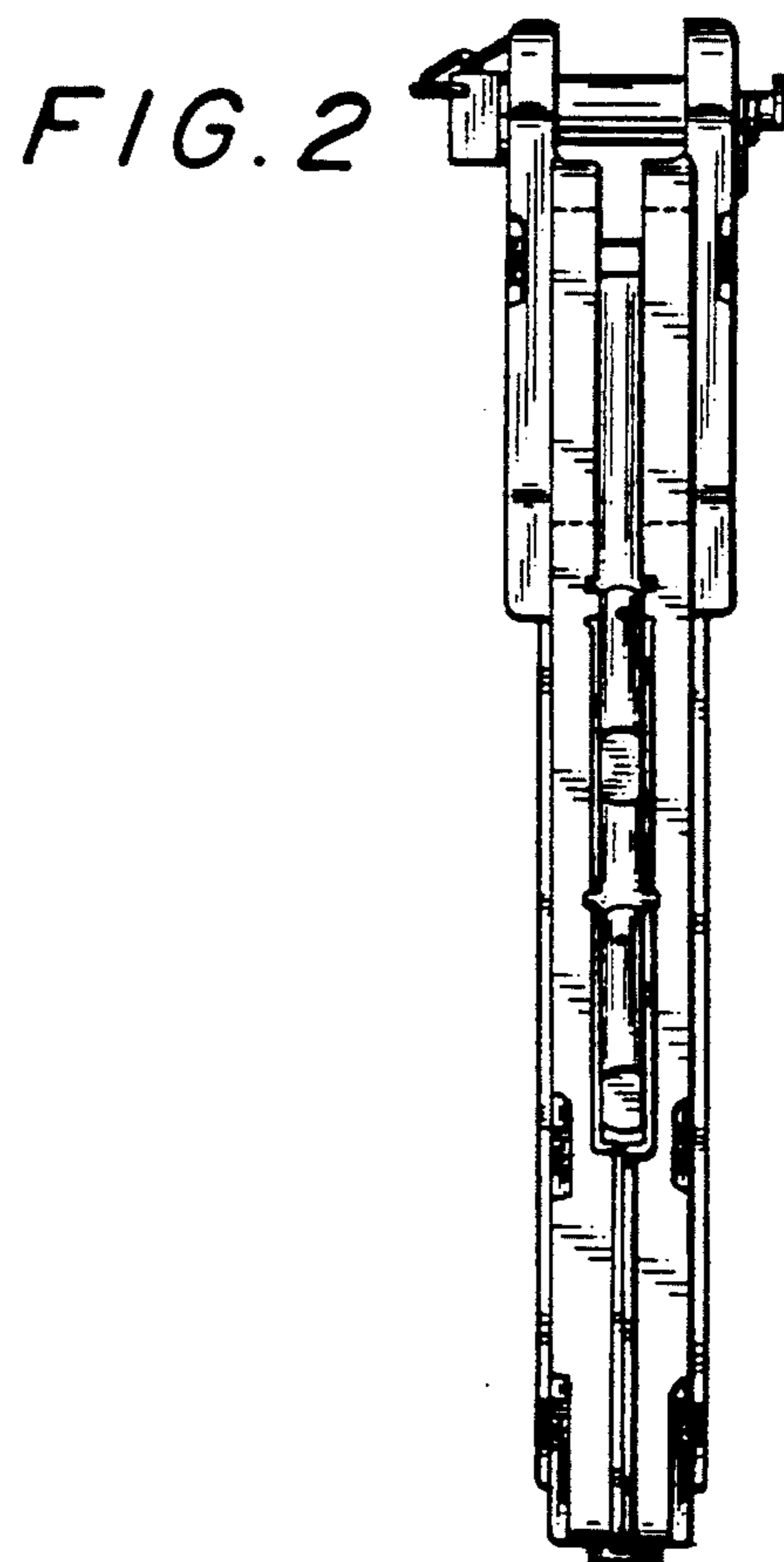
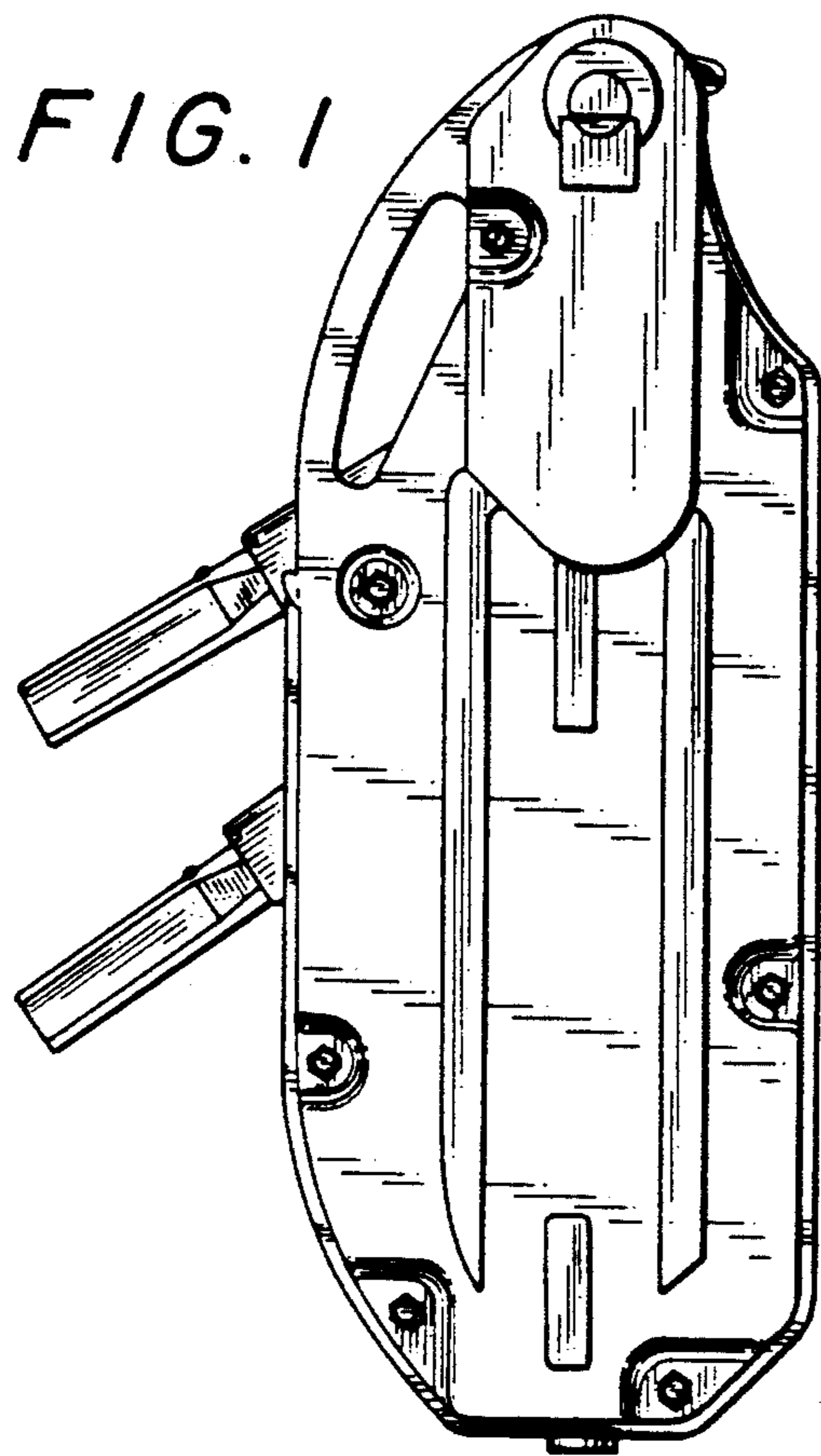


FIG. 6

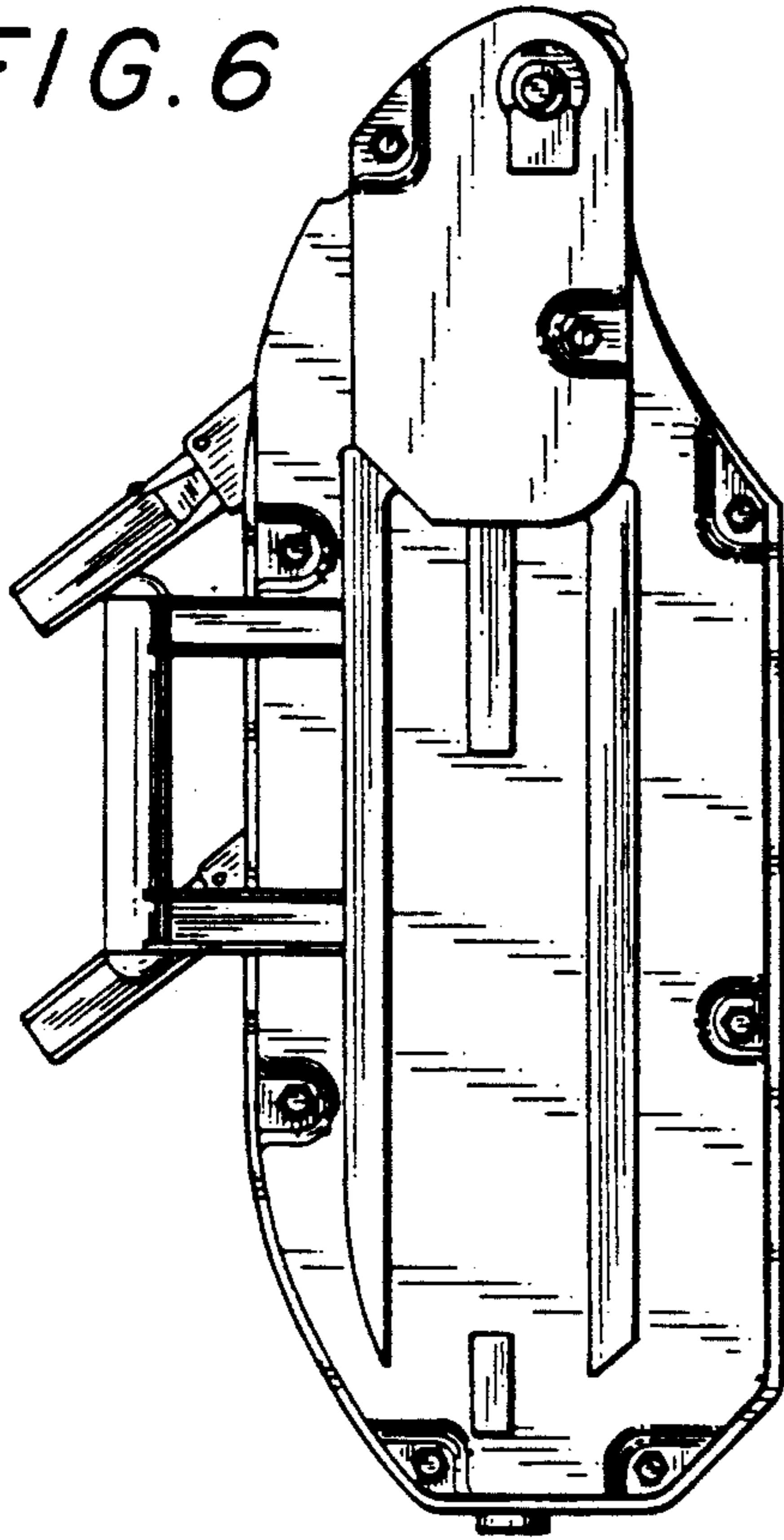


FIG. 7

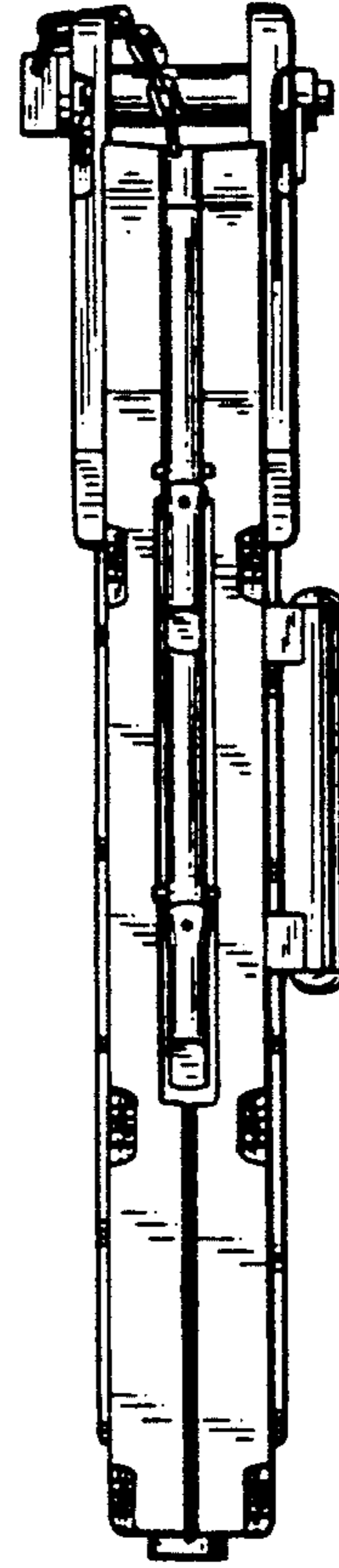


FIG. 8

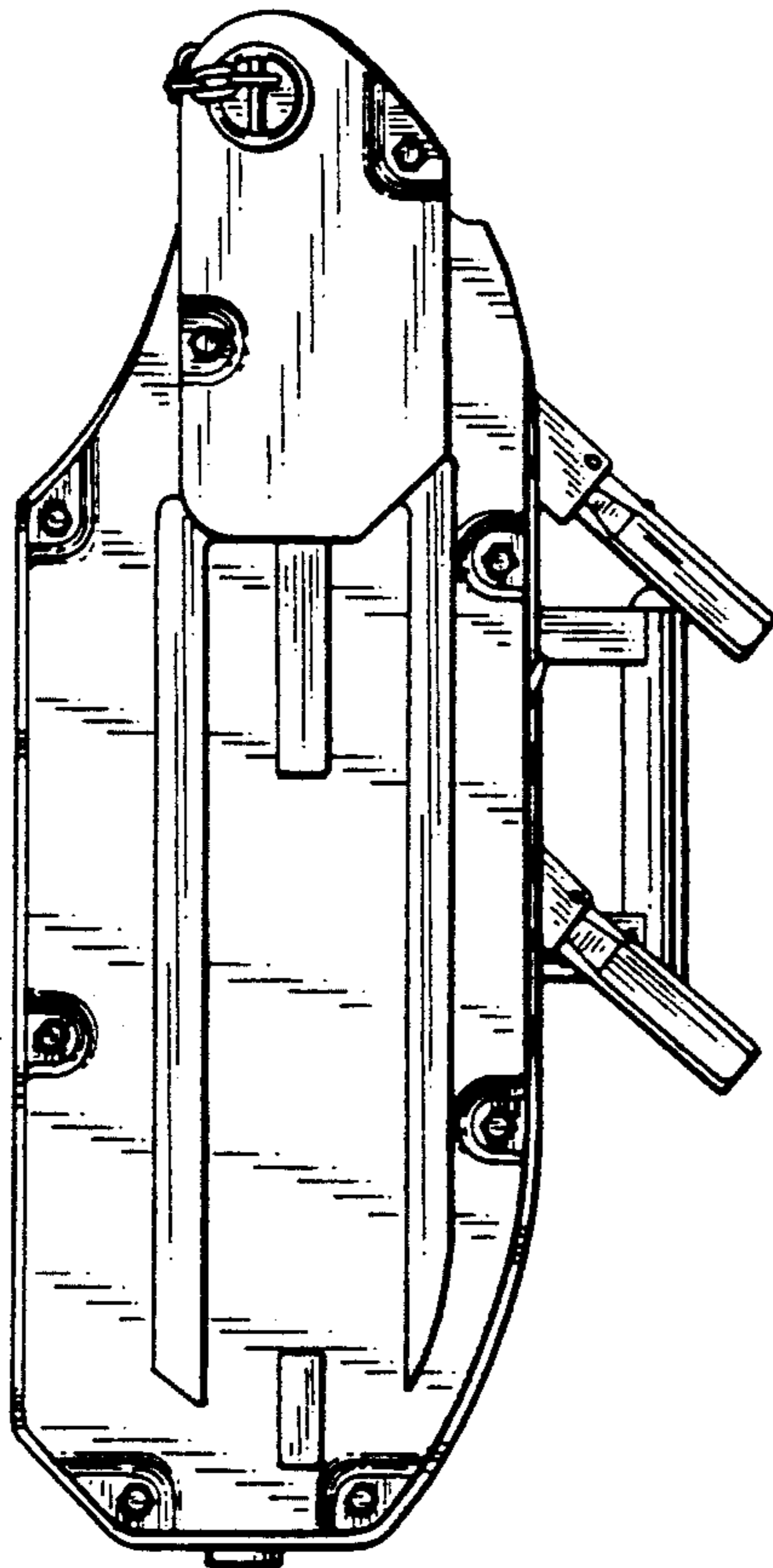


FIG. 9

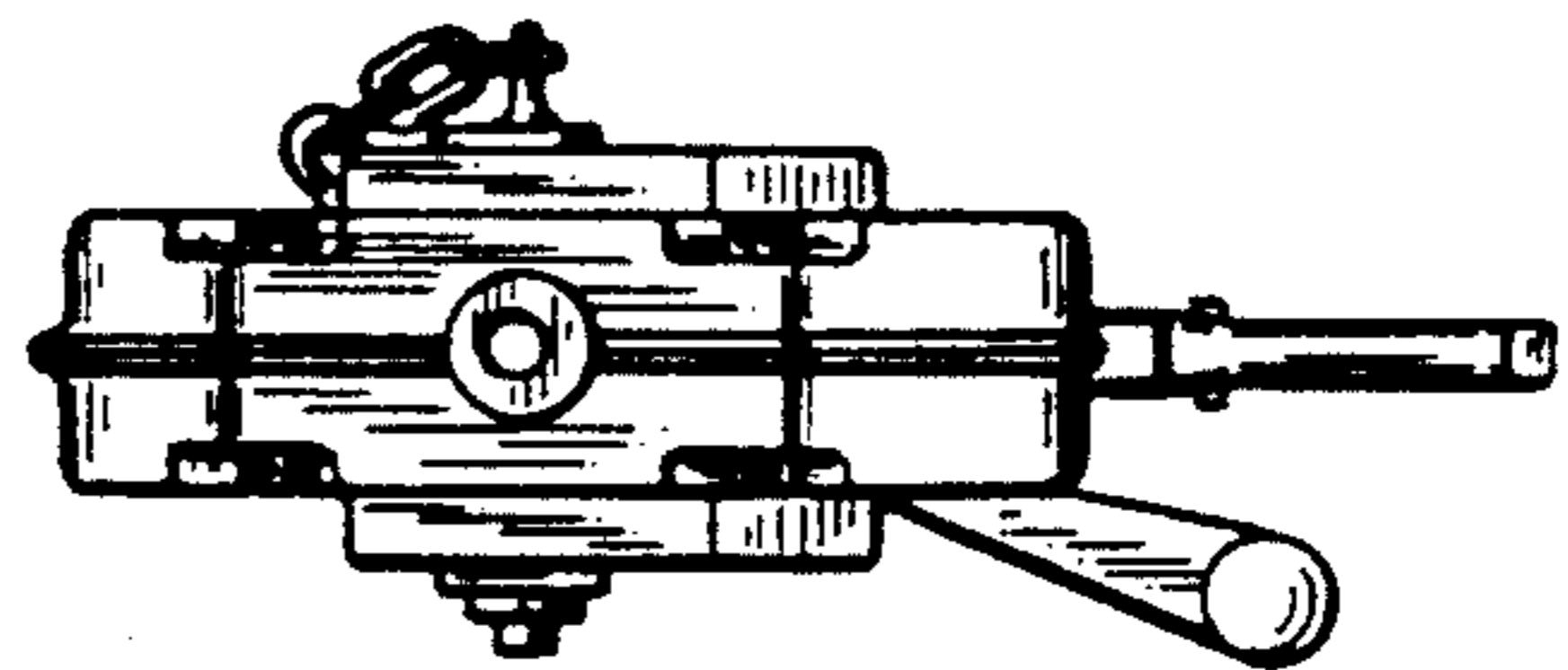


FIG. 10

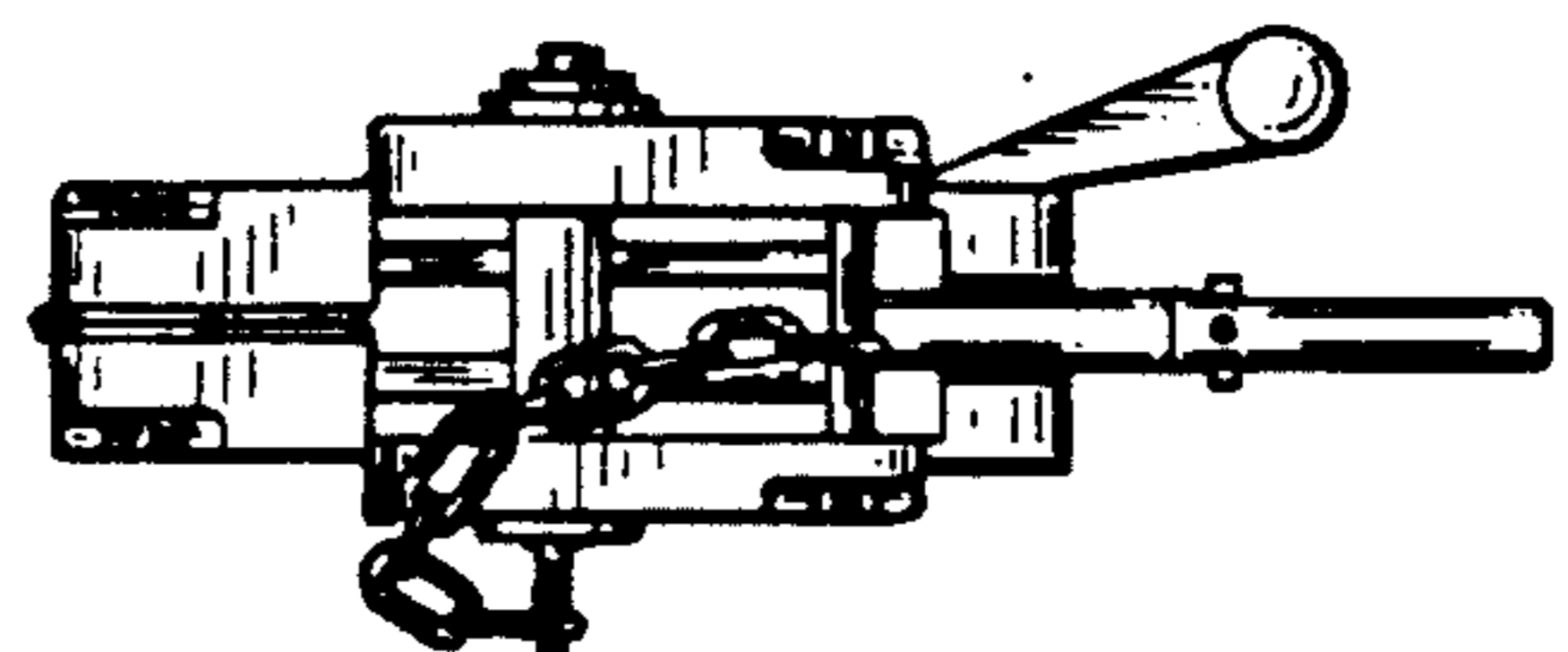


FIG. 12

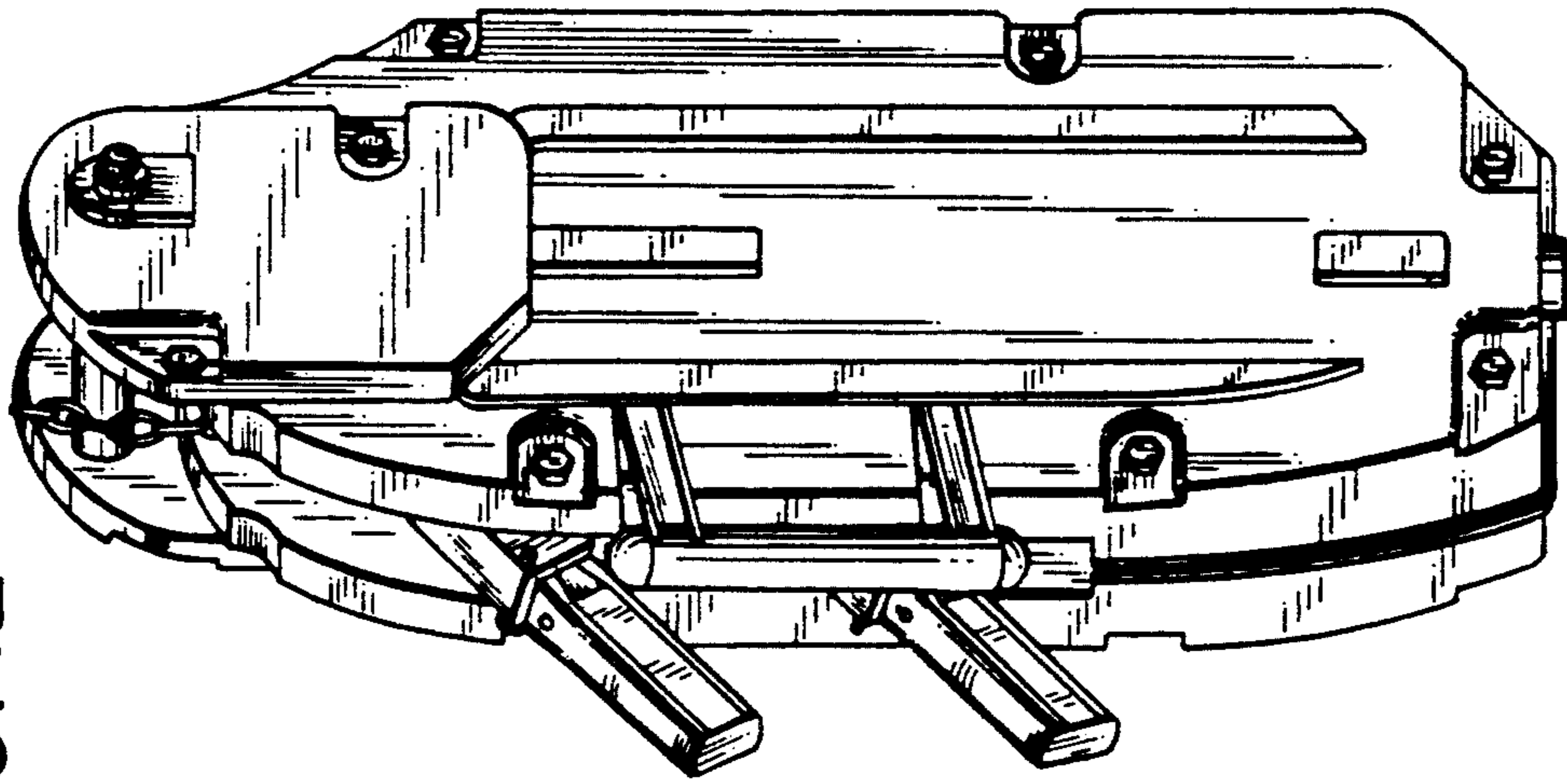


FIG. 11

