



US00D348967S

United States Patent [19]

[11] Patent Number: **Des. 348,967**

Goto et al.

[45] Date of Patent: **** Jul. 19, 1994**

[54] **MOBILE CRANE**

[75] Inventors: **Shinji Goto; Yoshihiro Murakami,**
both of Hyogo, Japan

[73] Assignee: **Kabushiki Kaisha Kobe Seikosho,**
Hyogo, Japan

[**] Term: **14 Years**

[21] Appl. No.: **1,007**

[22] Filed: **Oct. 30, 1992**

[52] U.S. Cl. **D34/34; D34/33**

[58] Field of Search **212/261, 260, 180;**
173/28, 38, 186; 414/563; D34/34, 28

[56] **References Cited**

U.S. PATENT DOCUMENTS

D. 183,367	8/1958	Park	D34/34
D. 205,031	6/1966	Grove	D34/34
D. 214,035	5/1969	Grove	D34/34
D. 214,889	8/1969	Stevens	D34/34
D. 218,412	8/1970	Lowe .	
D. 251,062	2/1979	Wacht et al.	D34/34
D. 251,240	3/1979	Grove	D34/34
3,633,702	1/1972	Shaw	212/261
4,674,638	6/1987	Oliphant	212/261

FOREIGN PATENT DOCUMENTS

588057	11/1982	Japan .
606668	8/1983	Japan .
607077	8/1983	Japan .
673816	3/1986	Japan .

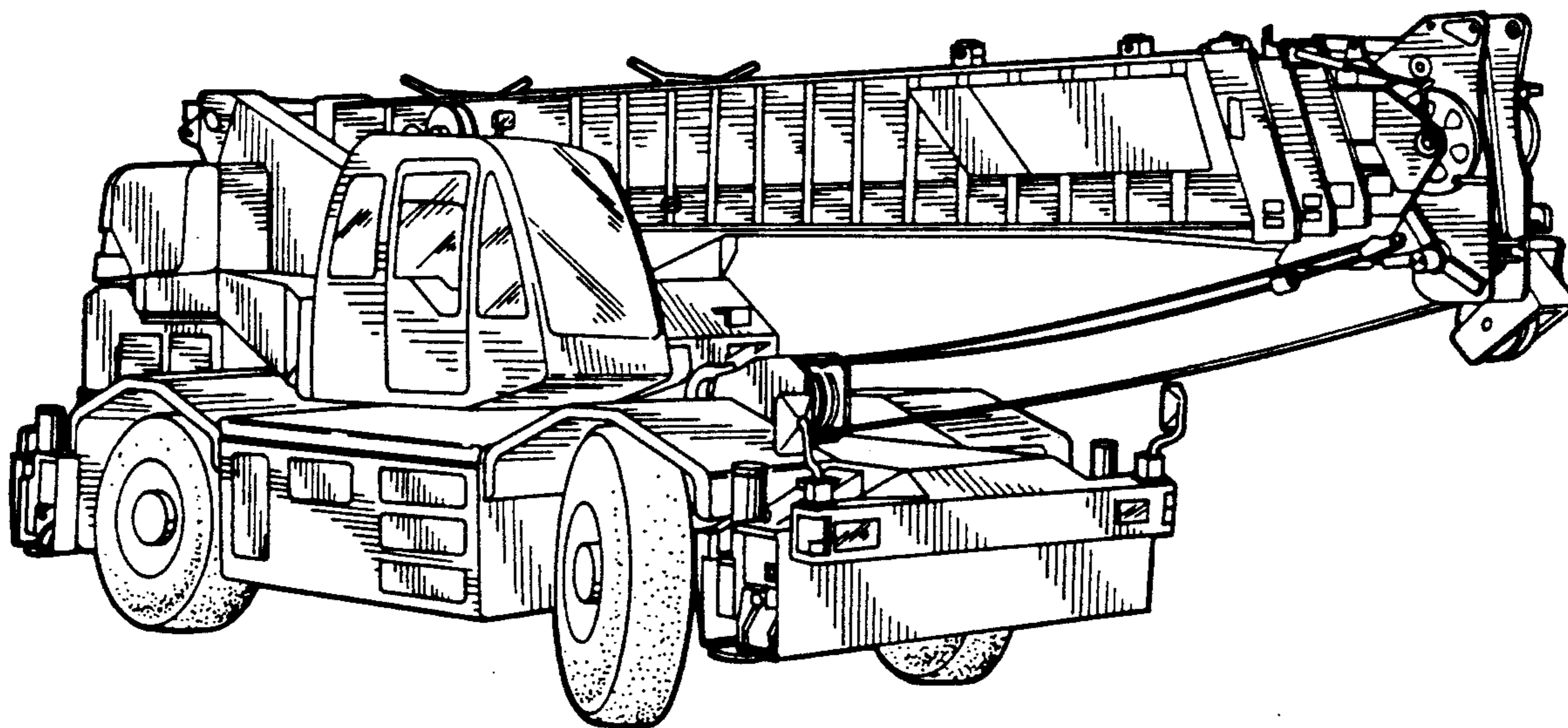
Primary Examiner—Kay H. Chin
Attorney, Agent, or Firm—Oblon, Spivak, McClelland,
Maier & Neustadt

[57] CLAIM

The ornamental design for a mobile crane, as shown and described.

DESCRIPTION

FIG. 1 is right side elevational view of a mobile crane, showing our new design;
 FIG. 2 is a left side elevational view thereof;
 FIG. 3 is a top plan view thereof;
 FIG. 4 is a bottom plan view thereof;
 FIG. 5 is a front elevational view thereof;
 FIG. 6 is a rear elevational view thereof;
 FIG. 7 is a right side elevational view thereof showing the boom extended;
 FIG. 8 is a top, rear and left perspective view thereof; and,
 FIG. 9 is a top, front and left perspective view thereof.



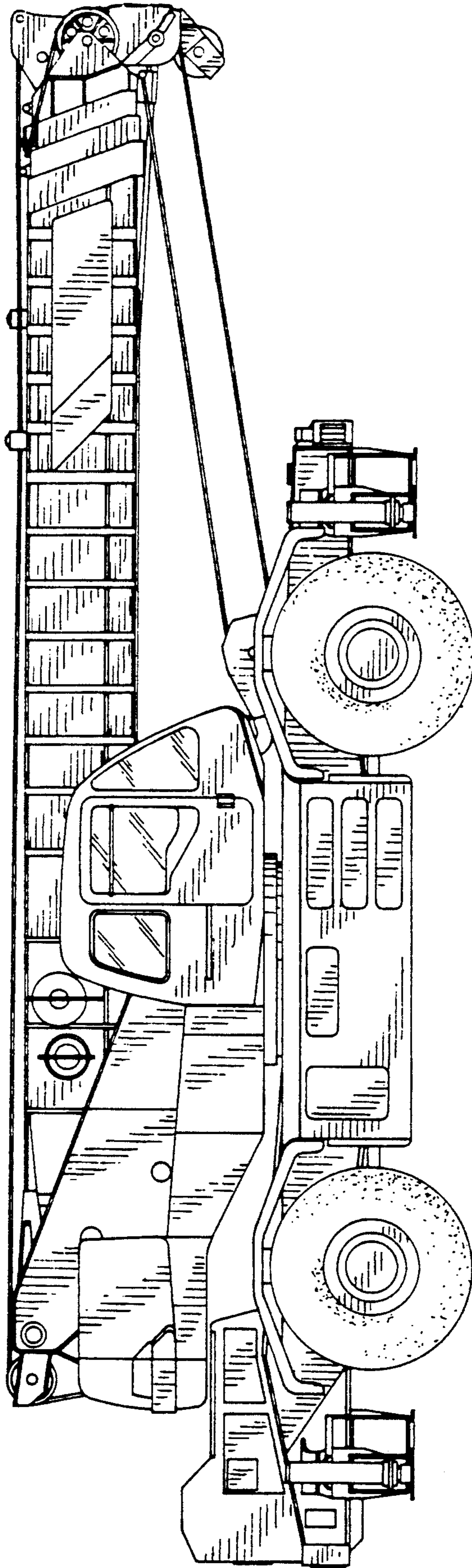


FIG. 1

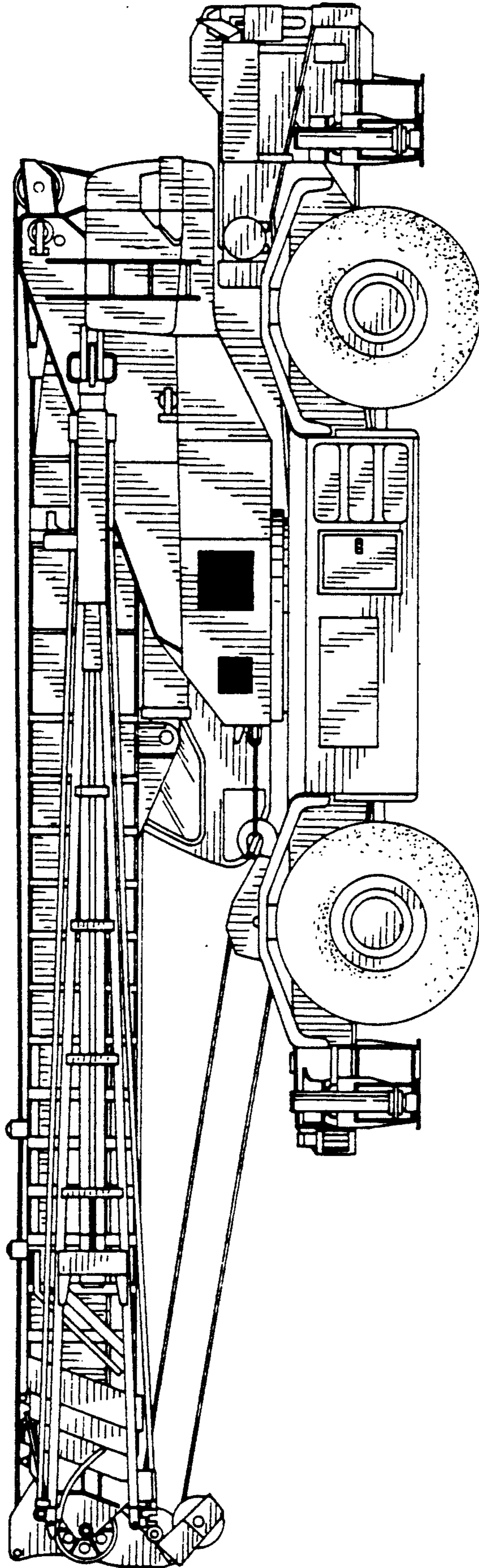


FIG. 2

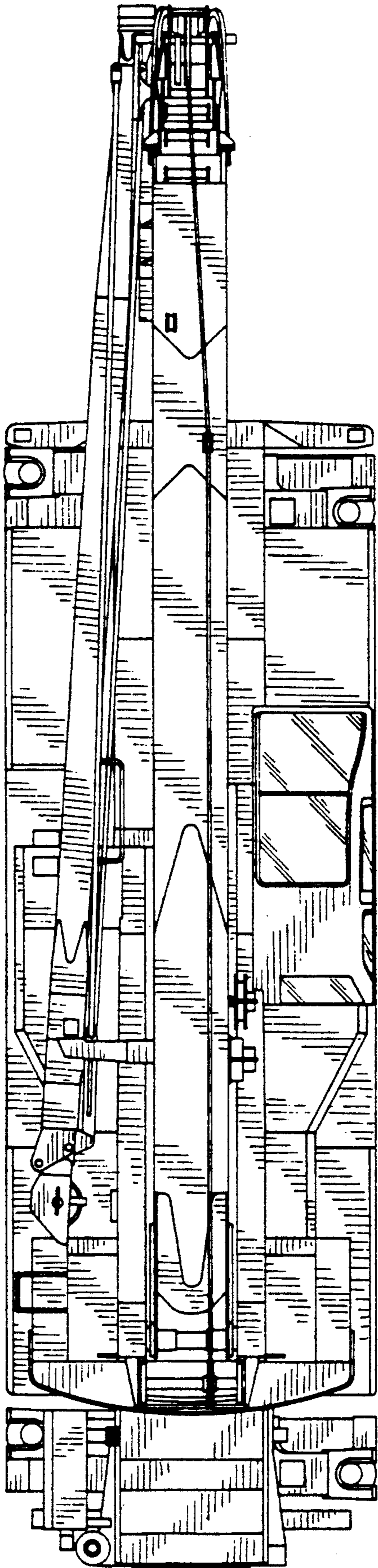


FIG. 3

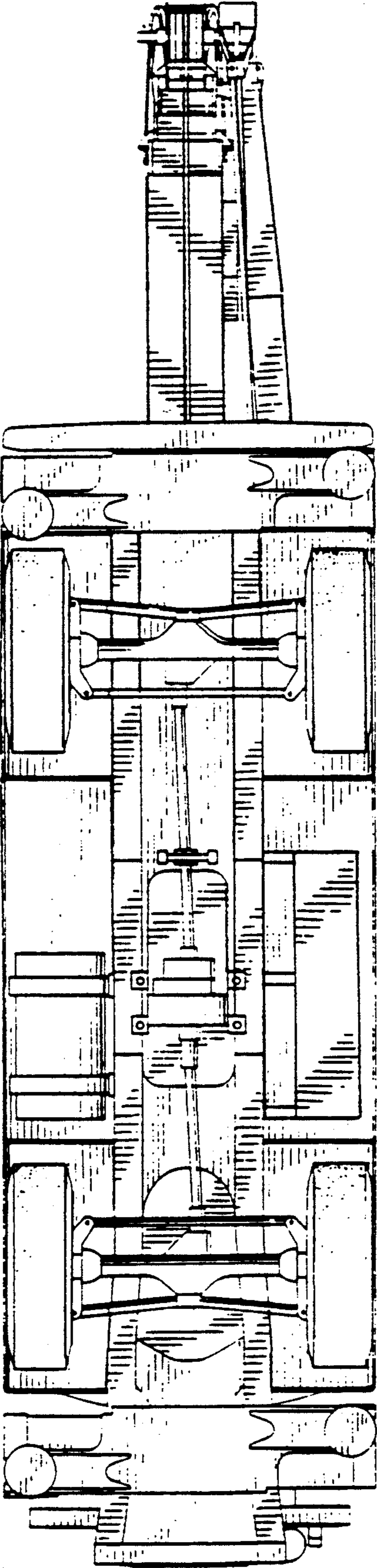


FIG. 4

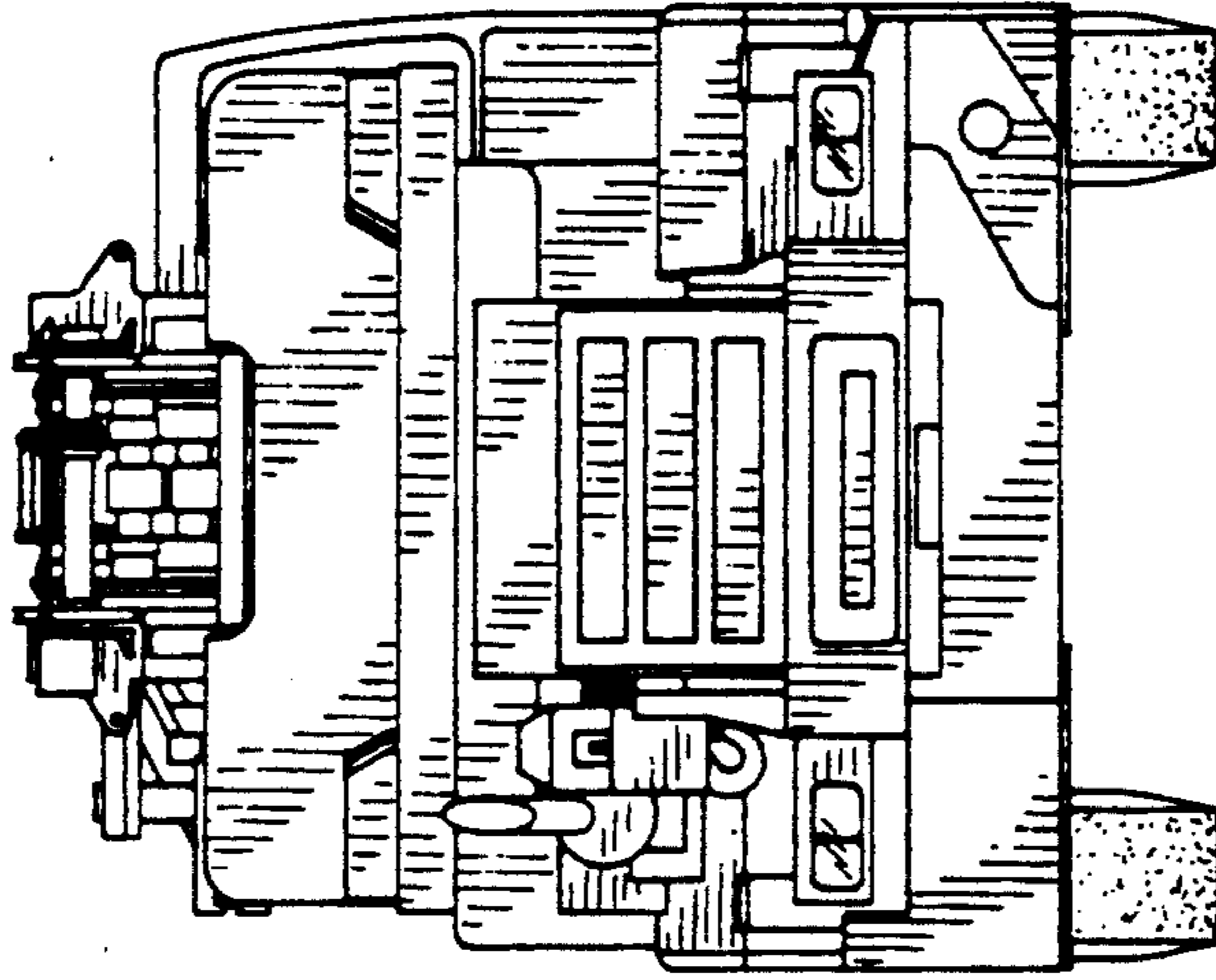


FIG. 5

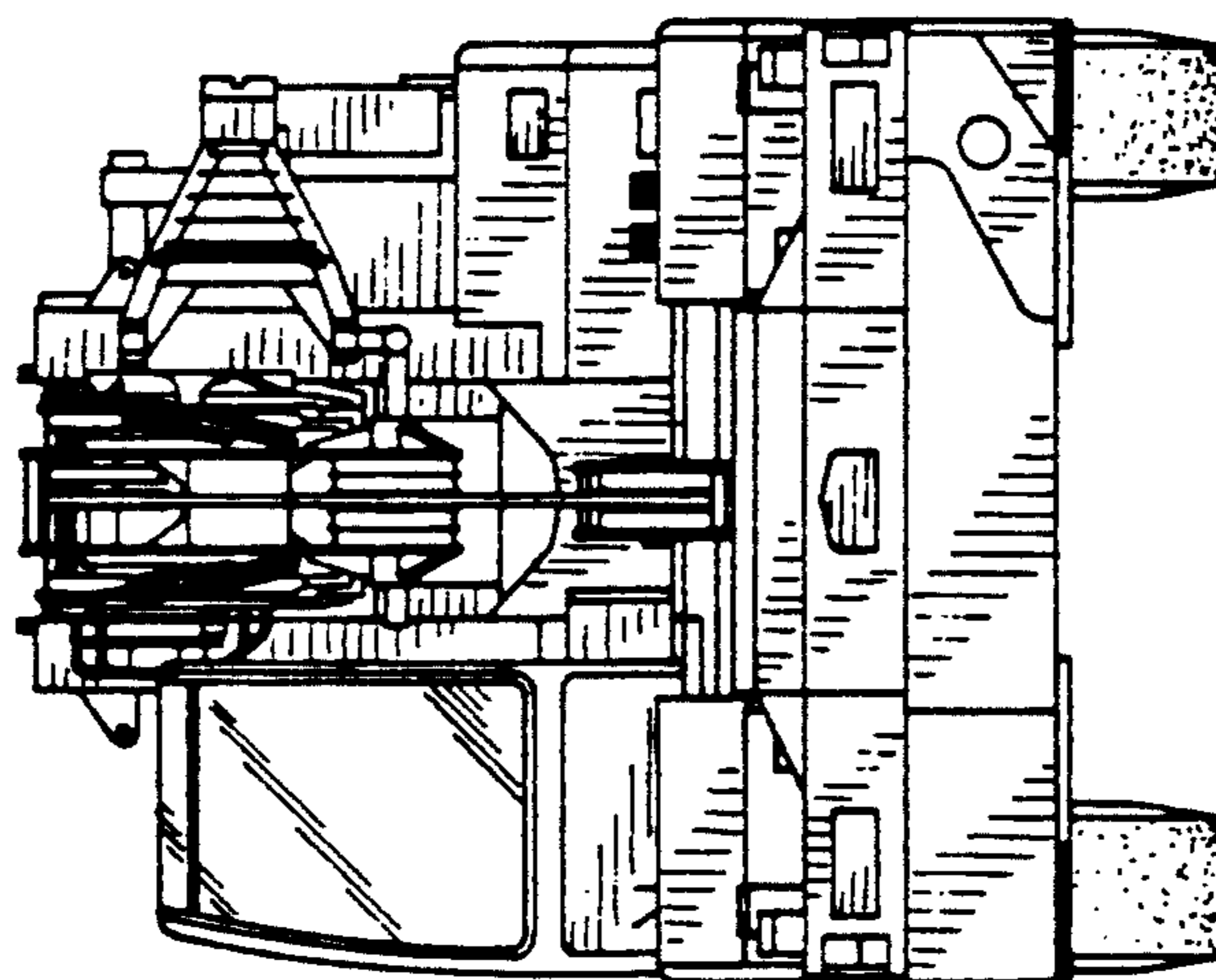


FIG. 6

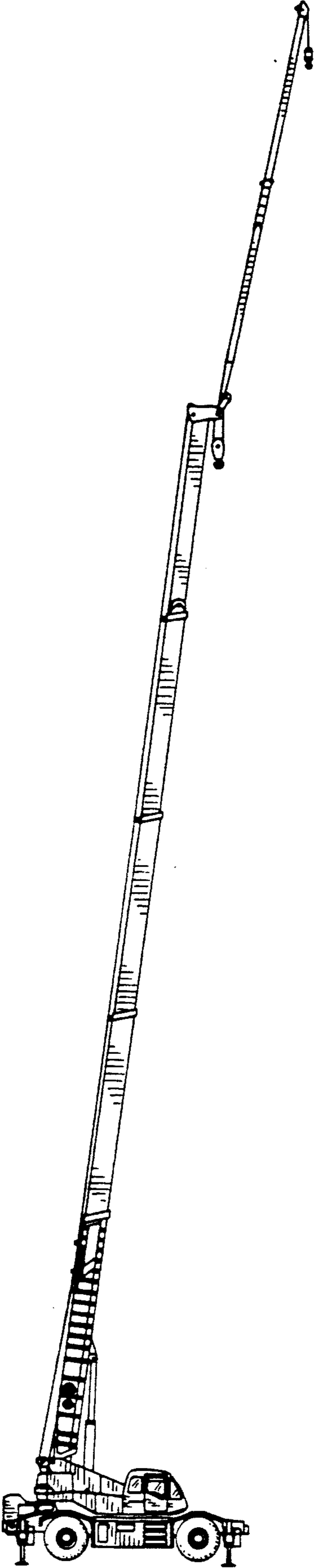


FIG. 7

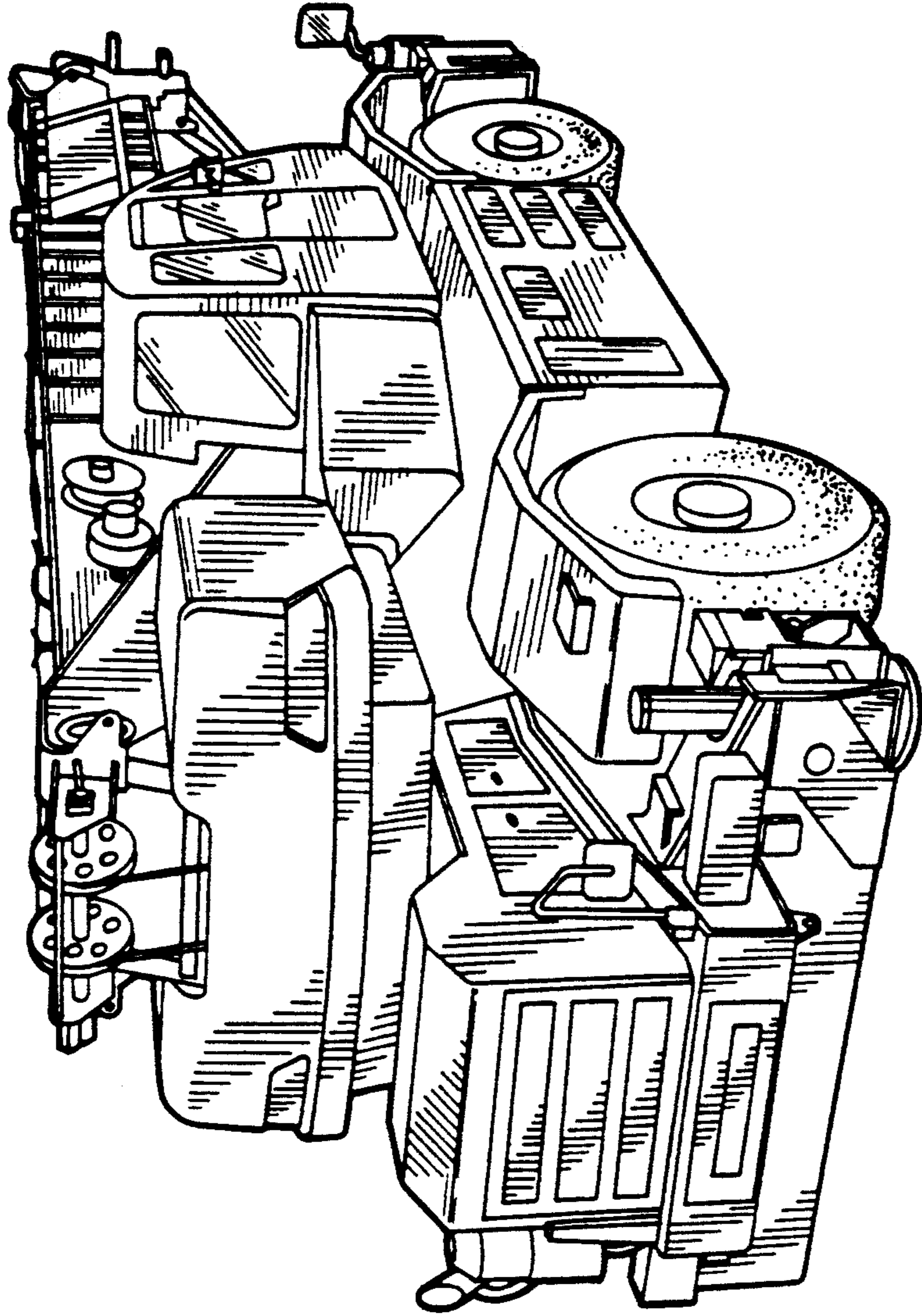


FIG. 8

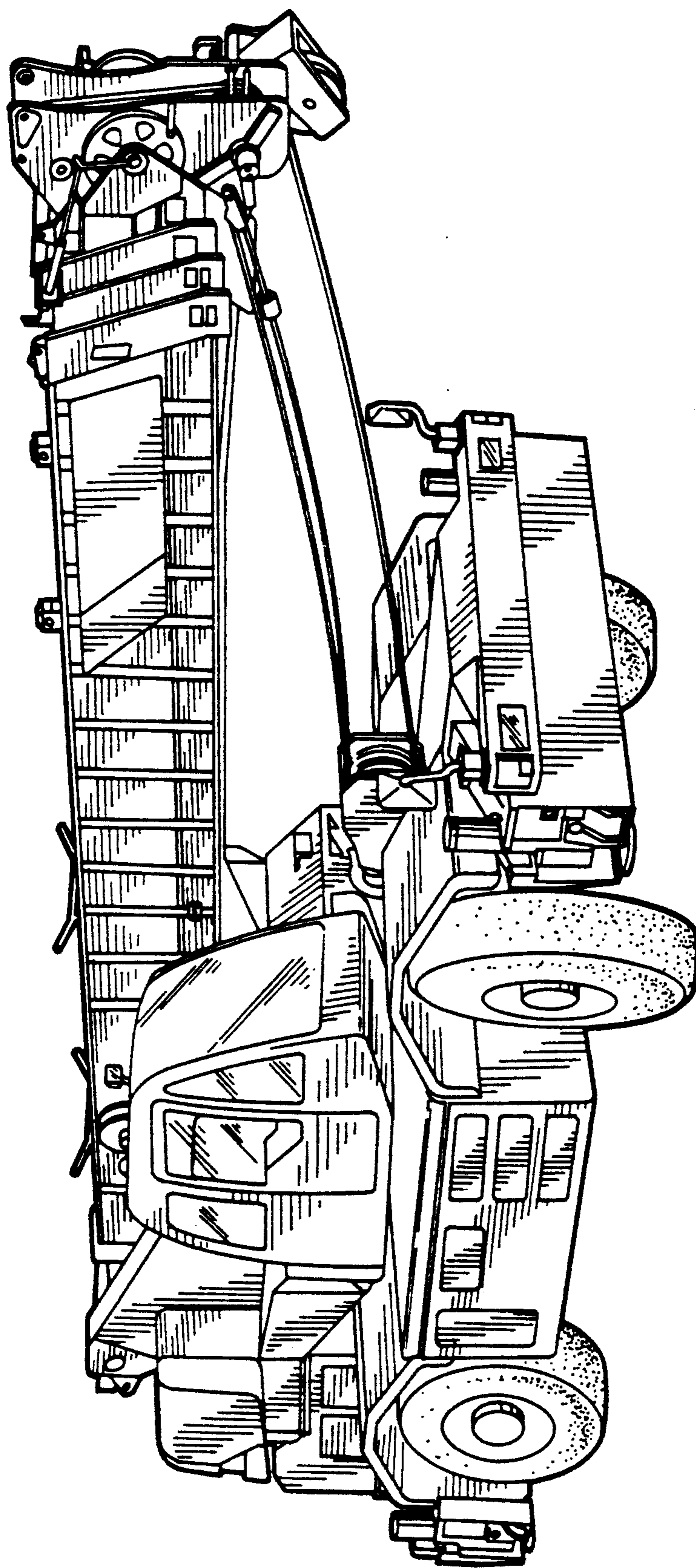


FIG. 9