



US00D348965S

# United States Patent [19]

[11] Patent Number: **Des. 348,965**

Machen et al.

[45] Date of Patent: **\*\* Jul. 19, 1994**

[54] **GOLF MOTORCADDIE**

5,193,842 3/1993 Fontenot ..... 280/47.19

[75] Inventors: **Edmund Machen; Edgar Montague; James Machen**, all of Charlotte, N.C.; **David Mehaffey**, Vicksburg, Miss.

### OTHER PUBLICATIONS

Kangaroo Cadet flyer (K-29) "New for Spring, 1992 Delivery in Canada", distributed in Oct. 1991 in Canada.

[73] Assignee: **Kangaroo Products Company**, Columbus, N.C.

Kangaroo Products Co. brochure, ©1990, especially Hillcrest model, pp. 8-13.

[\*\*] Term: **14 Years**

*Primary Examiner*—Kay H. Chin

*Attorney, Agent, or Firm*—Saidman DesignLaw Group

[21] Appl. No.: **2,325**

### [57] CLAIM

[22] Filed: **Dec. 4, 1992**

The ornamental design for a golf motorcaddie, as shown and described.

[52] U.S. Cl. .... **D34/15**

[58] Field of Search ..... 280/DIG. 5, DIG. 6; 180/19.3, 19.1, 65.6; D34/12, 15

### DESCRIPTION

### [56] References Cited

#### U.S. PATENT DOCUMENTS

- D. 280,943 10/1985 Catford ..... D34/15
- D. 300,577 4/1989 Pope et al. .... D34/15
- D. 321,964 11/1991 Alterbaum ..... D34/15

FIG. 1 is a front, left side perspective view of a golf motorcaddie showing our new design; FIG. 2 is a right side view in elevation thereof; FIG. 3 is a top plan view thereof; and, FIG. 4 is a rear view in elevation thereof. The broken lines are environmental only and form no part of the claimed design.

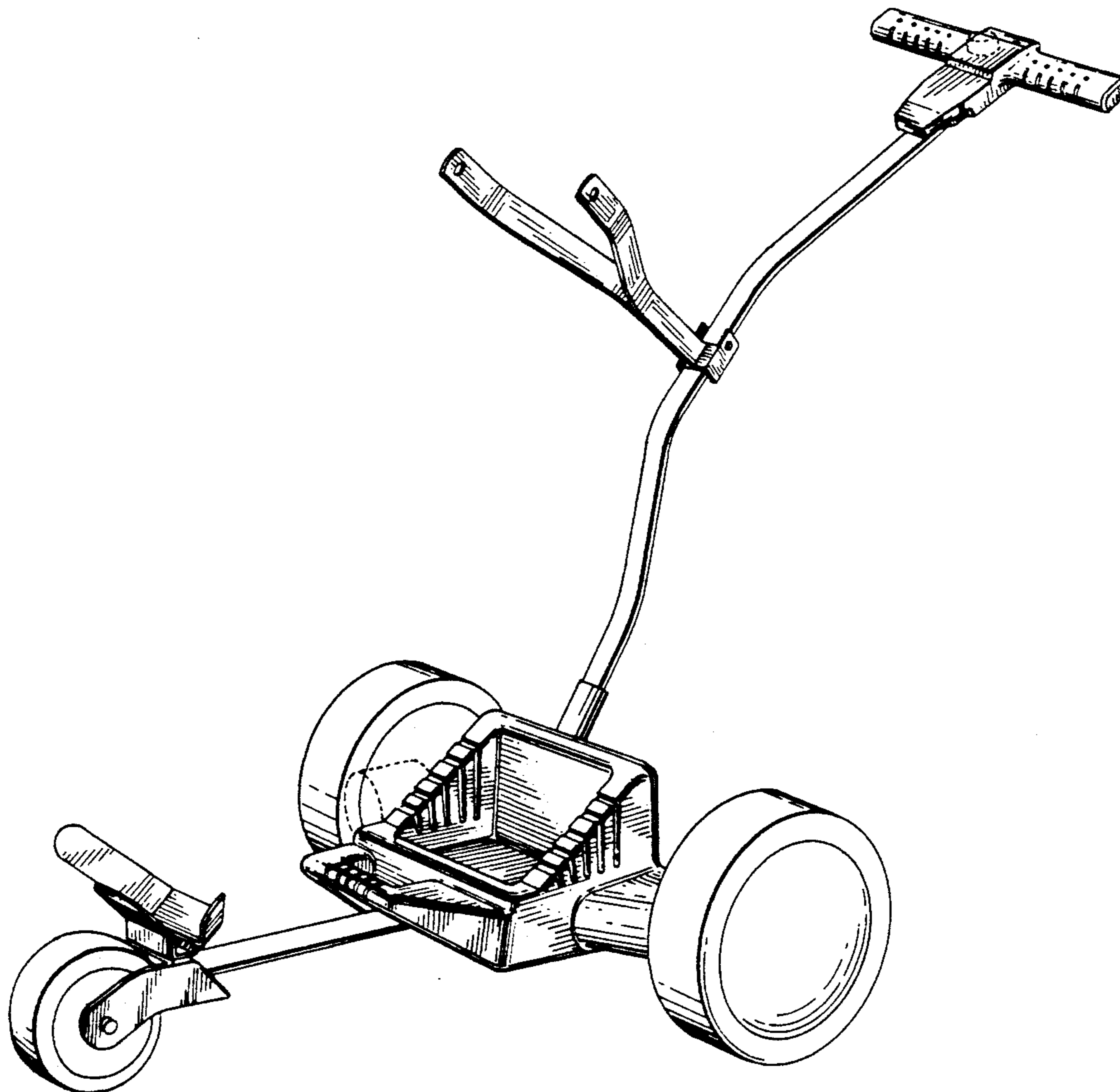


FIG. 1

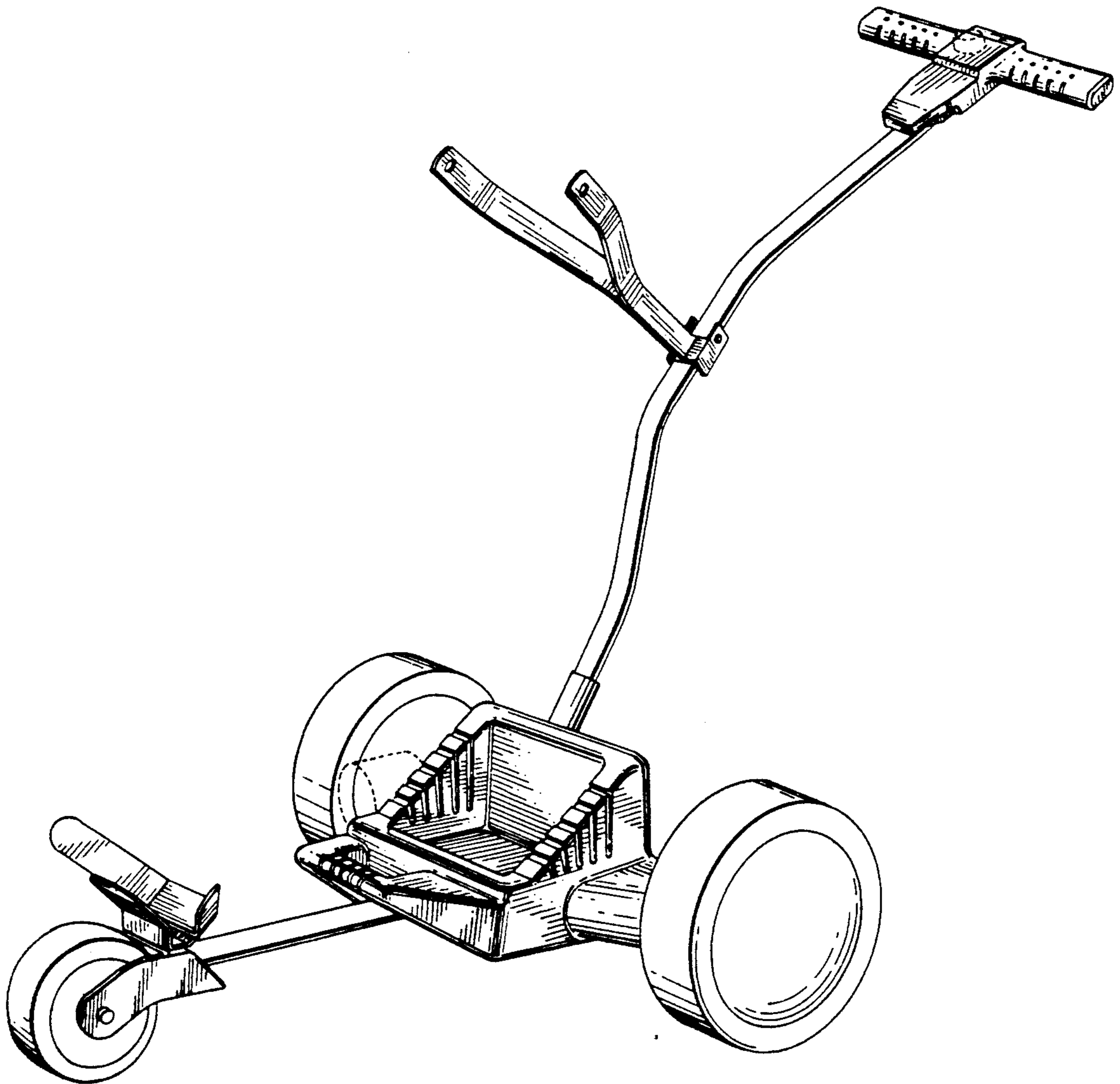


FIG. 2

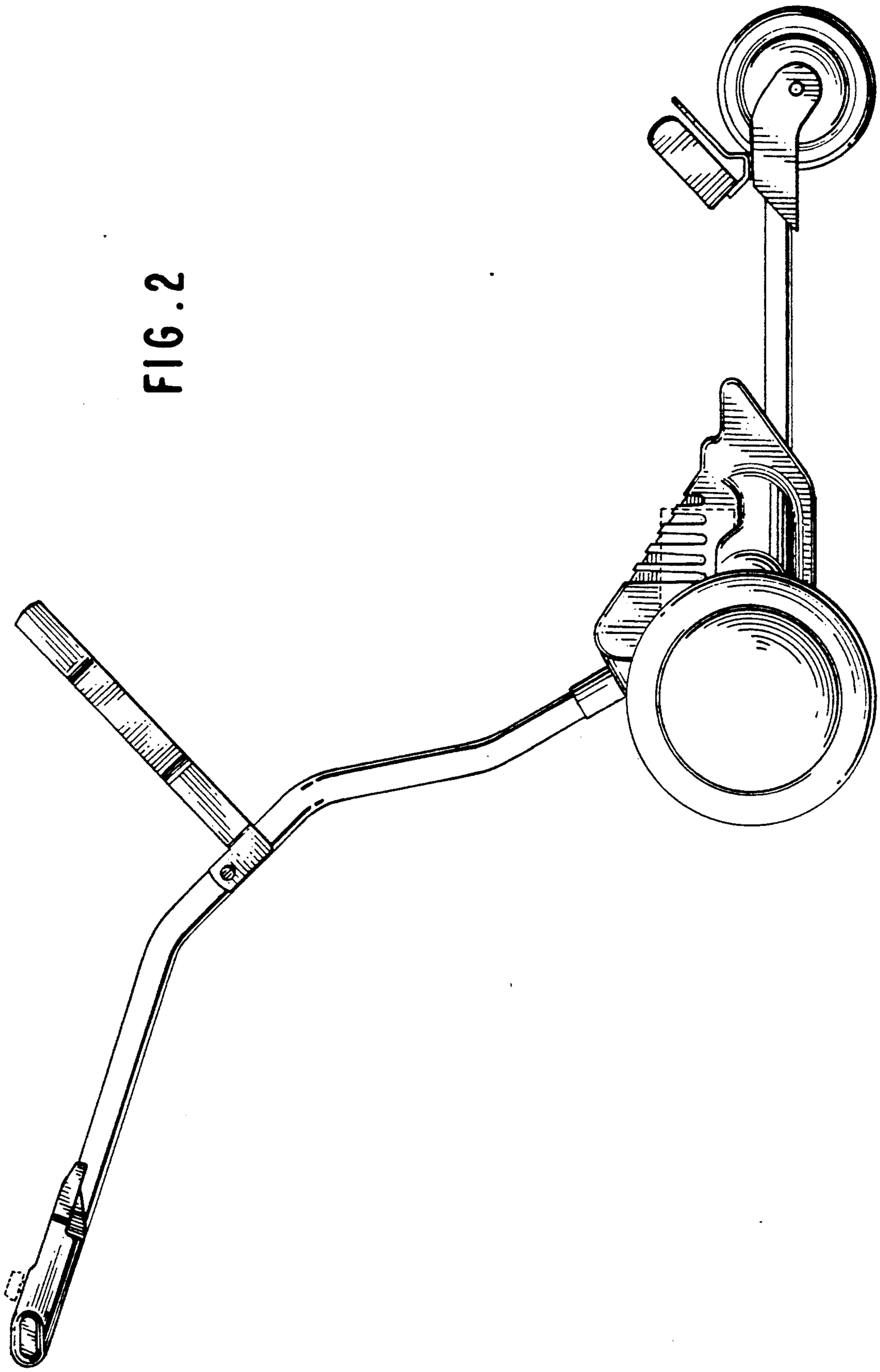


FIG. 3

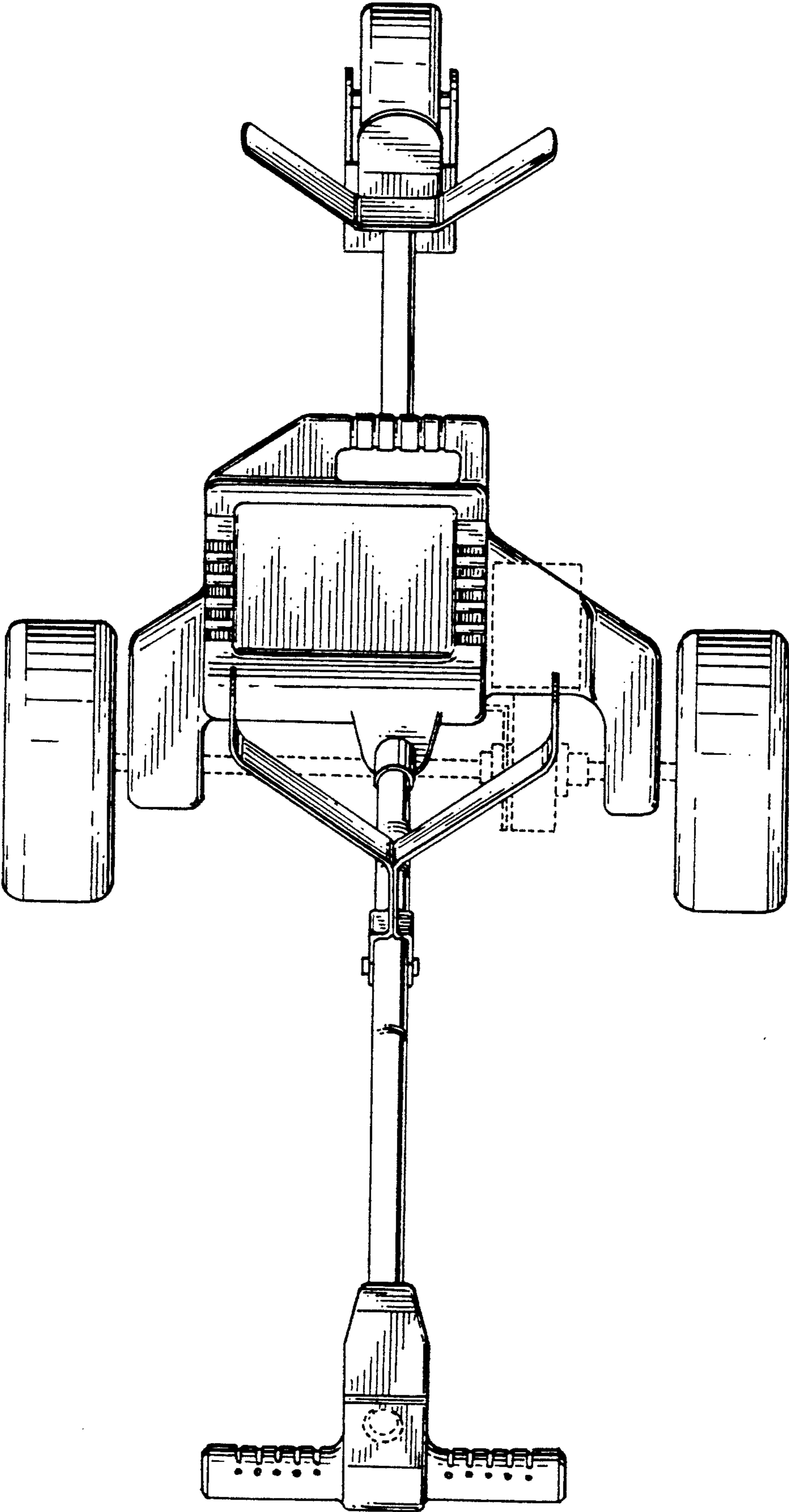


FIG. 4

