



US00D348963S

United States Patent [19]

Hammel

[11] Patent Number: Des. 348,963

[45] Date of Patent: ** Jul. 19, 1994

[54] GOLF SHOE CLEAT CLEANER

[76] Inventor: Joseph J. Hammel, 5883 Keystone Dr., Bethel Park, Pa. 15102

[**] Term: 14 Years

[21] Appl. No.: 885,556

[22] Filed: May 19, 1992

[52] U.S. Cl. D32/47; D21/234

[58] Field of Search D4/116, 118, 136; 273/32 B; 15/105, 112, 113, 237; D21/234; D32/47

D. 293,164 12/1987 Shearer D4/118
3,270,363 9/1966 Harris, Jr. 15/113

Primary Examiner—B. J. Bullock
Attorney, Agent, or Firm—William J. Ruano

[57] CLAIM

The ornamental design for a golf shoe cleat cleaner, as shown and described.

DESCRIPTION

FIG. 1 is a top view of a golf shoe cleat cleaner showing my new design;

FIG. 2 is a side view;

FIG. 3 is a bottom view thereof;

FIG. 4 is an end view taken along line 4—4 of FIG. 1; and,

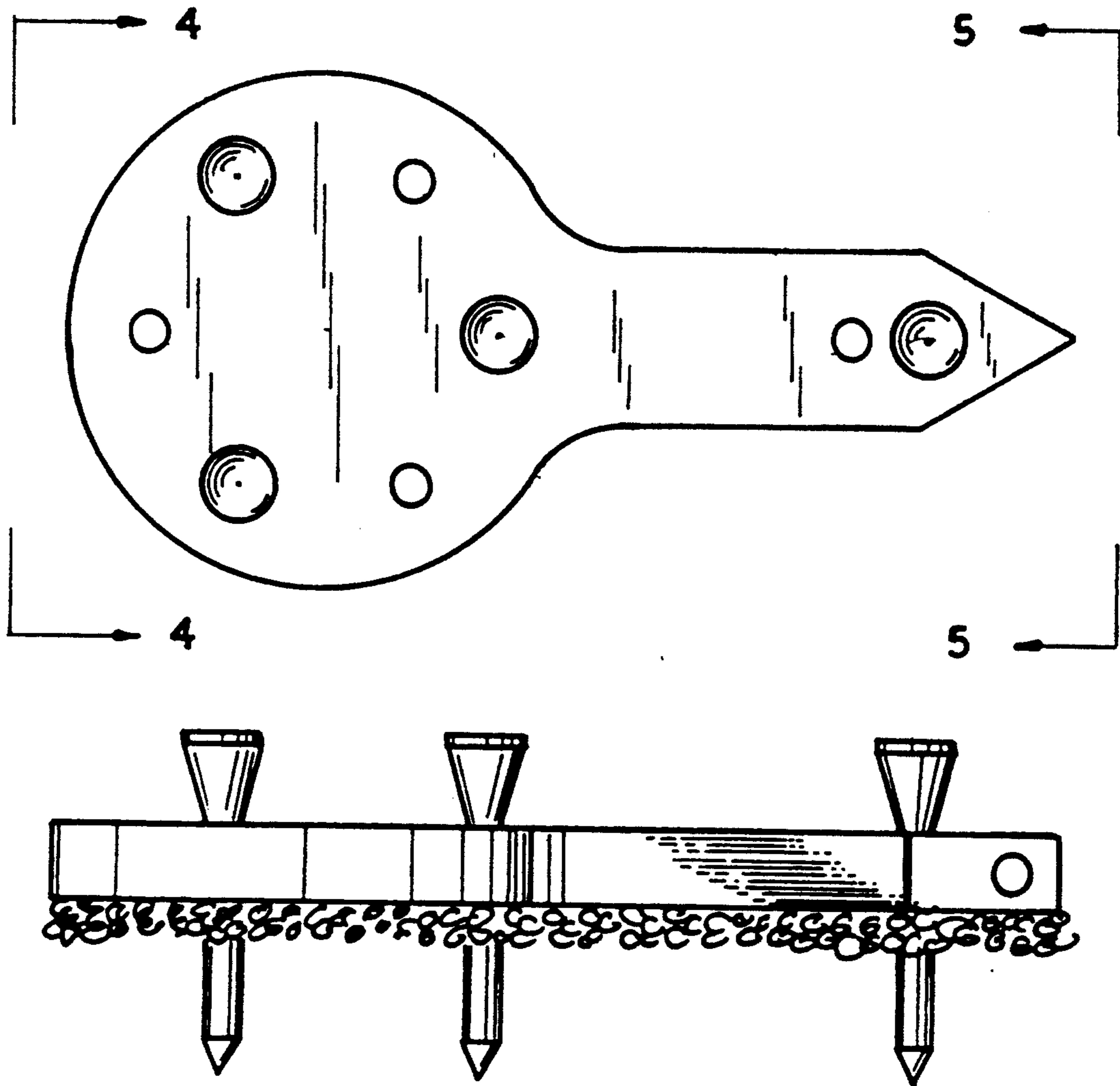
FIG. 5 is an opposite end view taken along line 5—5 of FIG. 1.

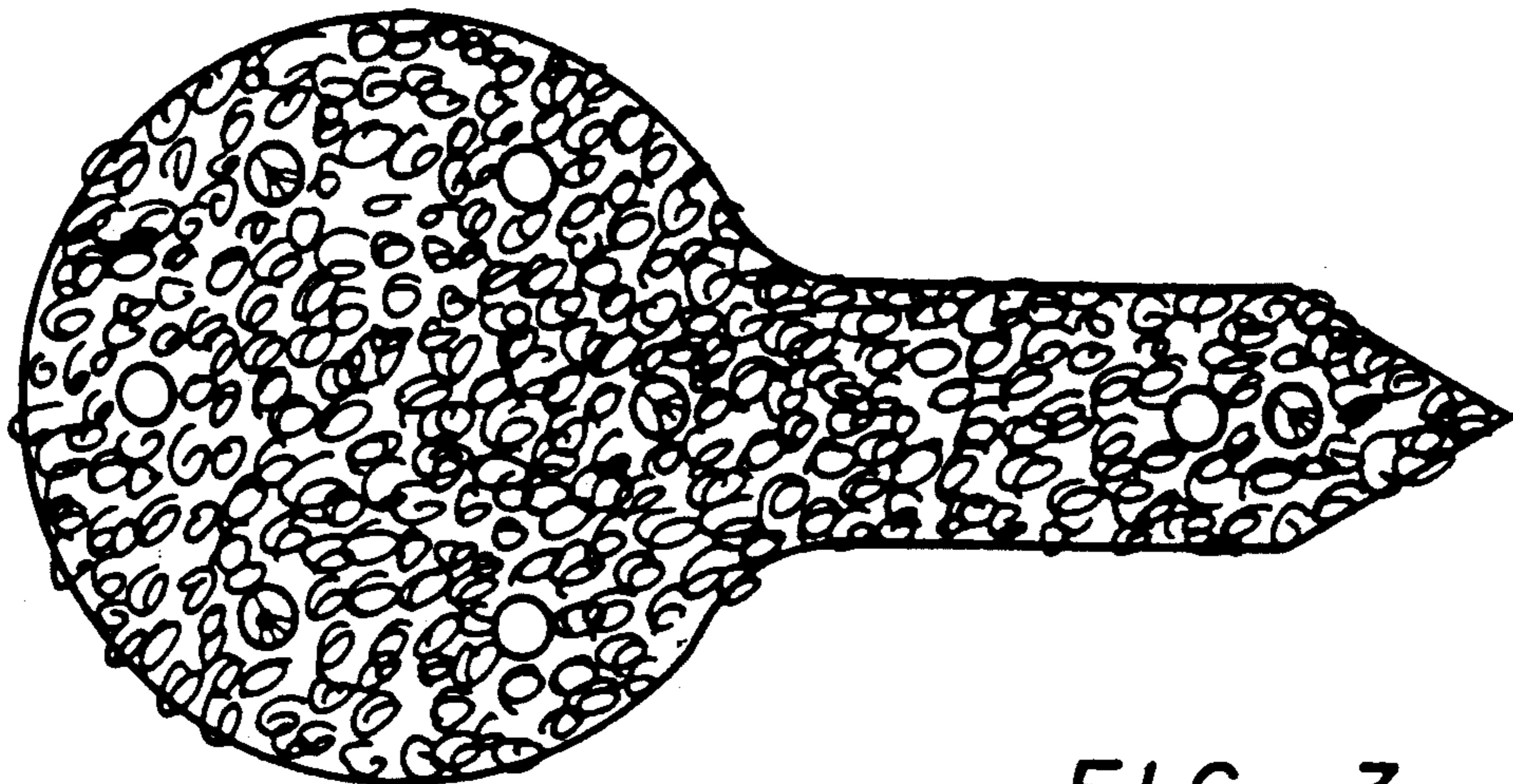
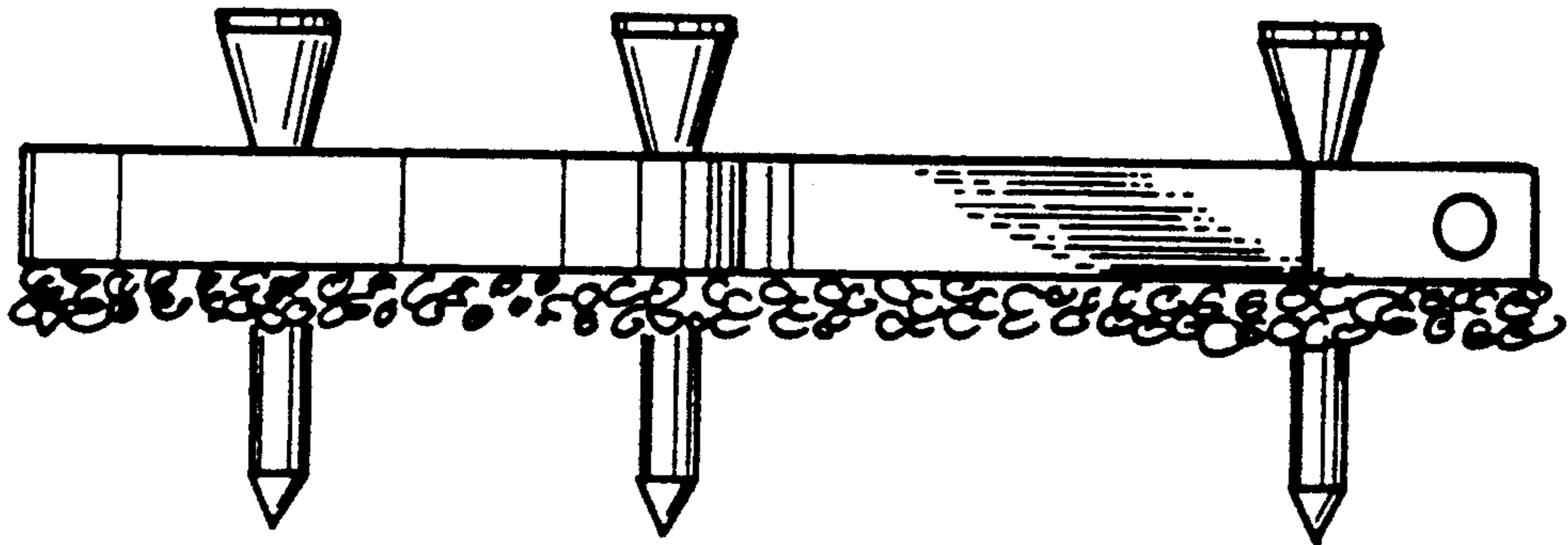
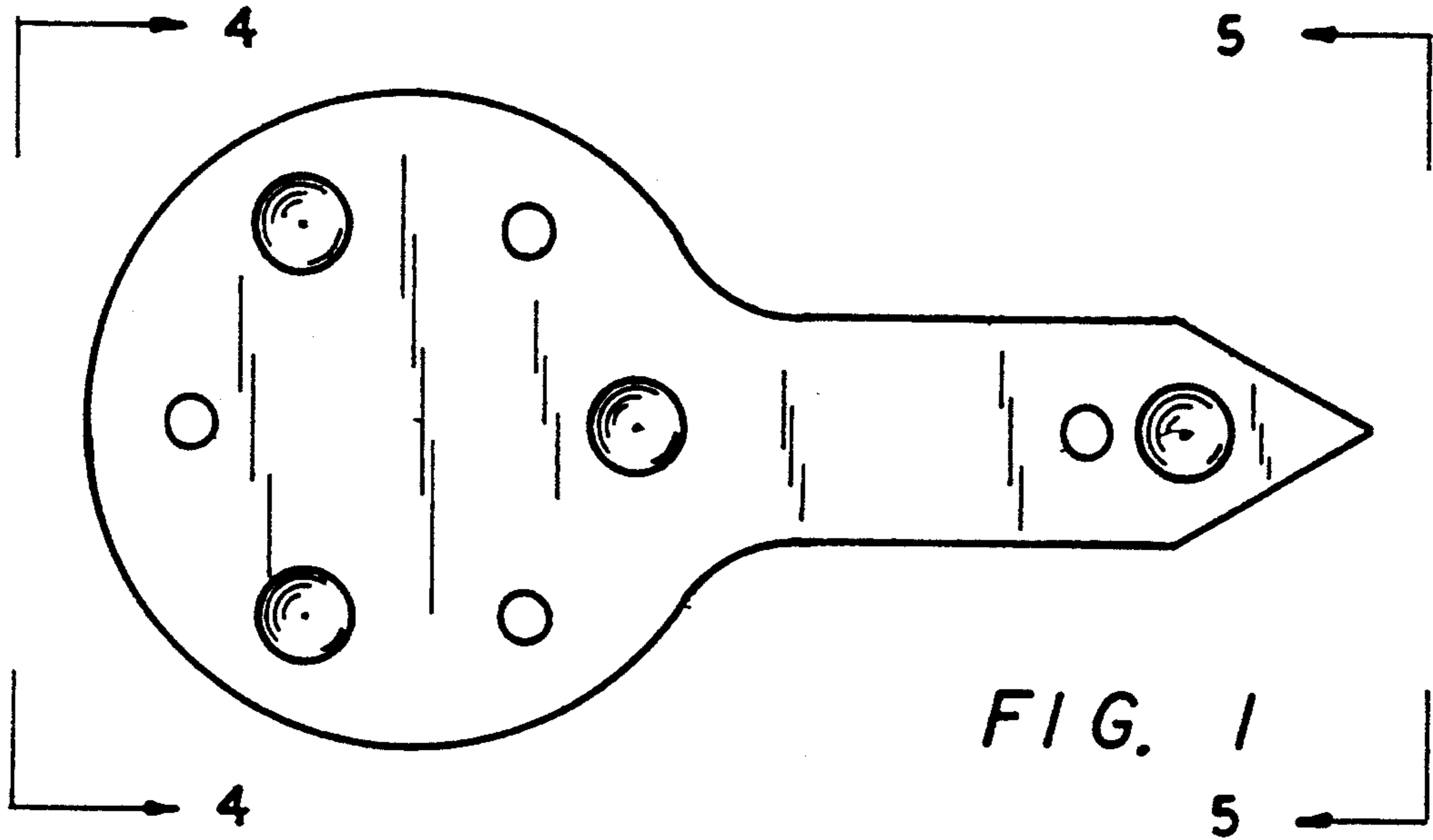
The massed curling lines on the bottom of the cleaner represent conventional fabric.

[56] References Cited

U.S. PATENT DOCUMENTS

- D. 185,205 5/1959 Huber D4/118
- D. 191,194 8/1961 Davis et al. D4/118
- D. 191,498 10/1961 Chamberlain D21/234
- D. 202,027 8/1965 Styron D4/118





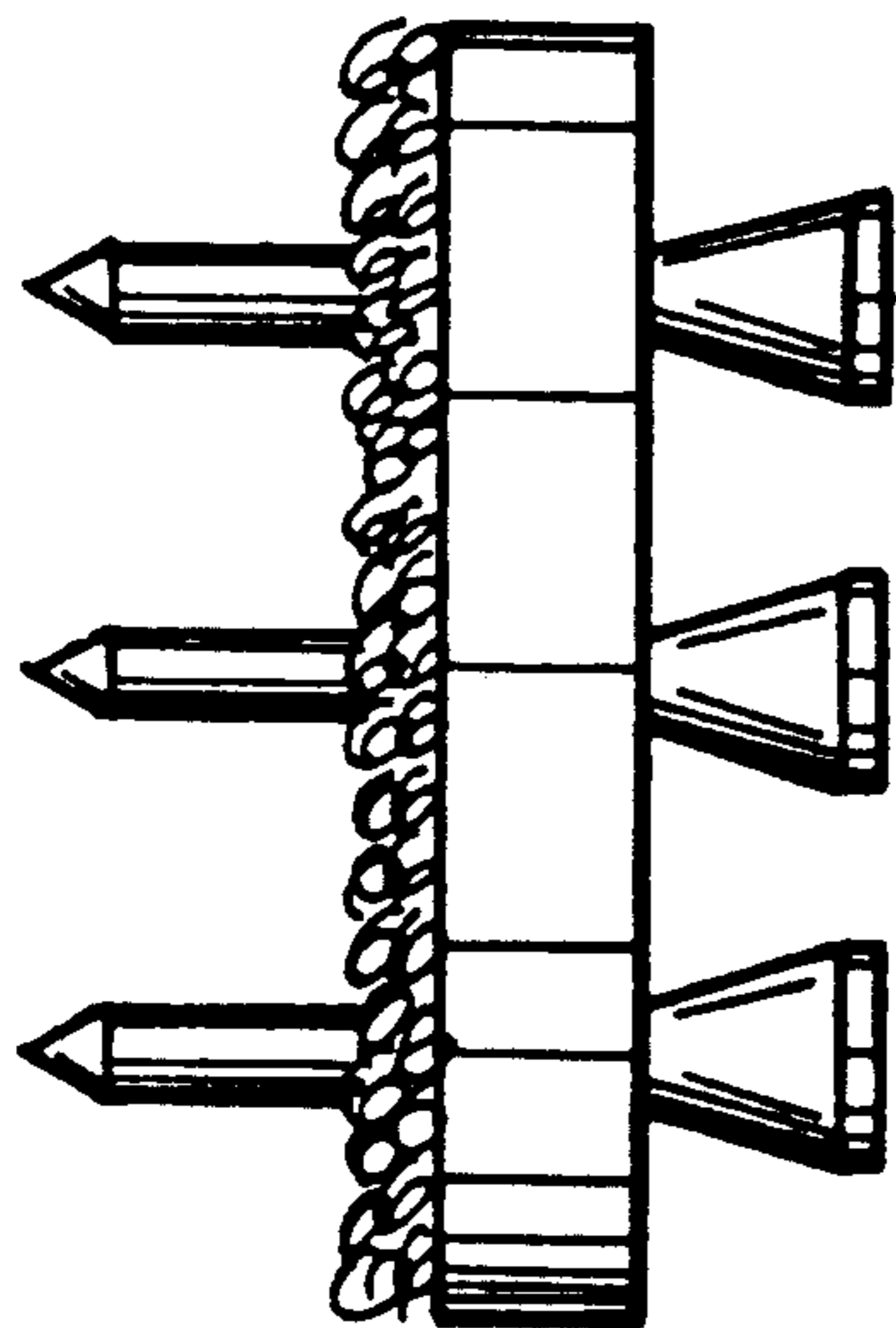


FIG. 4

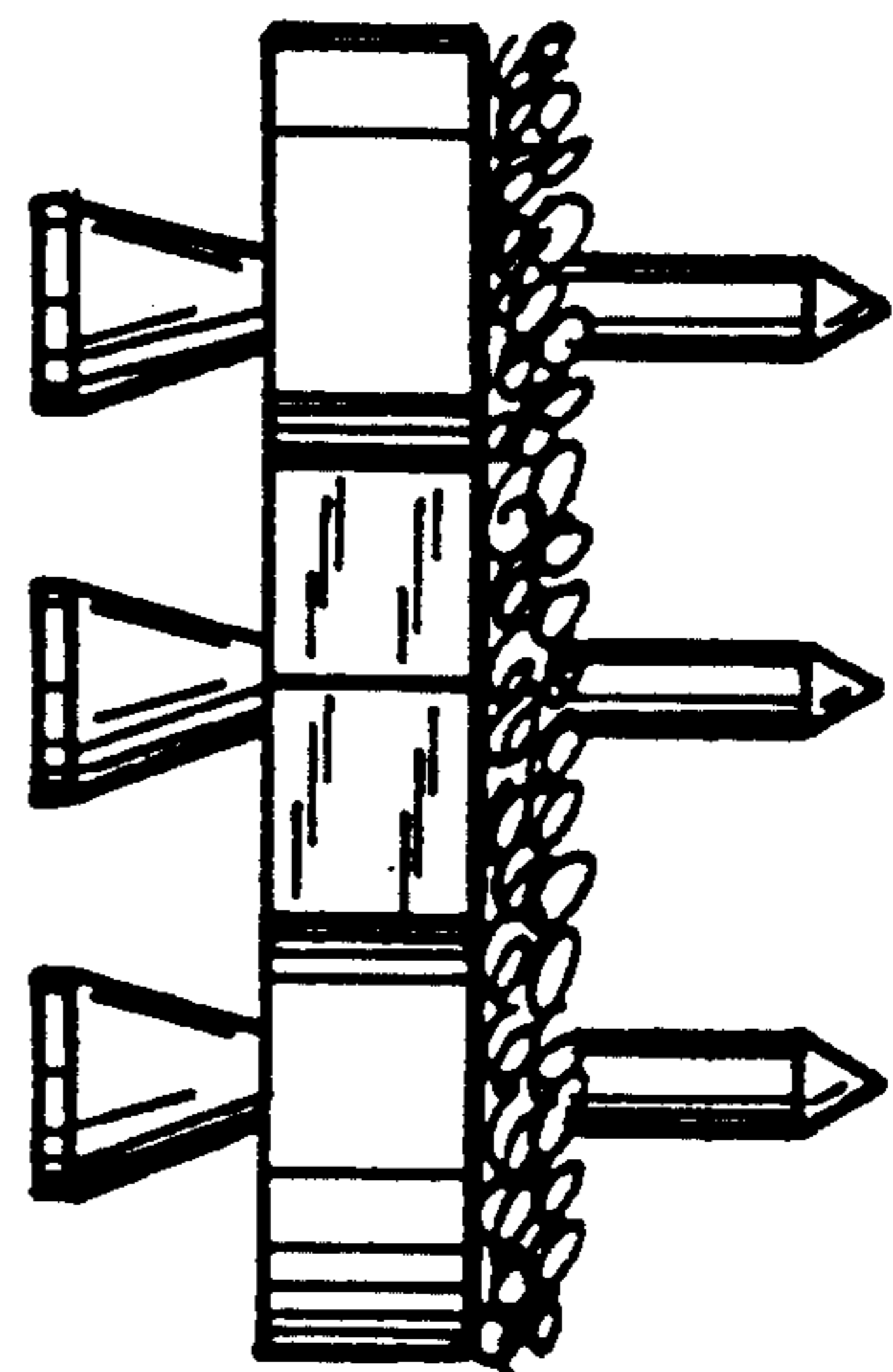


FIG. 5