



US00D348962S

United States Patent [19]

[11] Patent Number: Des. 348,962

Delery

[45] Date of Patent: ** Jul. 19, 1994

[54] COMBINED LAUNDRY HAMPER FRAME AND HANGER THEREFOR

4,768,742 9/1988 Kaalooa 248/99

[76] Inventor: Richard M. Delery, 24 Belcrest, Laguna Niguel, Calif. 92677

Primary Examiner—Wallace R. Burke
Assistant Examiner—Lavone D. Tabor
Attorney, Agent, or Firm—Stetina and Brunda

[**] Term: 14 Years

[57] CLAIM

[21] Appl. No.: 682,141

The ornamental design for an combined laundry hamper frame and hanger therefor, as shown and described.

[22] Filed: Apr. 8, 1991

DESCRIPTION

[52] U.S. Cl. D32/36; D8/373

[58] Field of Search D8/370, 373; 32/35-37; 248/95, 99-101, 210-211, 214-215

FIG. 1 is a perspective view of a combined laundry hamper frame and hanger therefor showing a new design shown mounted over a door;

FIG. 2 is a side elevational view thereof, the opposite side being a mirror image, shown with the oval frame in an alternate position; and,

[56] References Cited

U.S. PATENT DOCUMENTS

D. 311,327	10/1960	Hughes	D8/370
1,224,568	5/1917	Ream	248/99 X
1,512,421	10/1924	Harrison	248/99
3,814,359	6/1974	Powell	248/99
4,258,893	3/1981	Tolley	248/214 X
4,407,478	10/1983	Hodges	D8/373 X

FIG. 3 is a perspective view of a second embodiment of the design shown in FIGS. 1 and 2, the only difference residing in the appearance of a mounting hook.

The broken lines showing of a laundry bag, door, and closet bar are for illustrative purposes only and form no part of the claimed design.

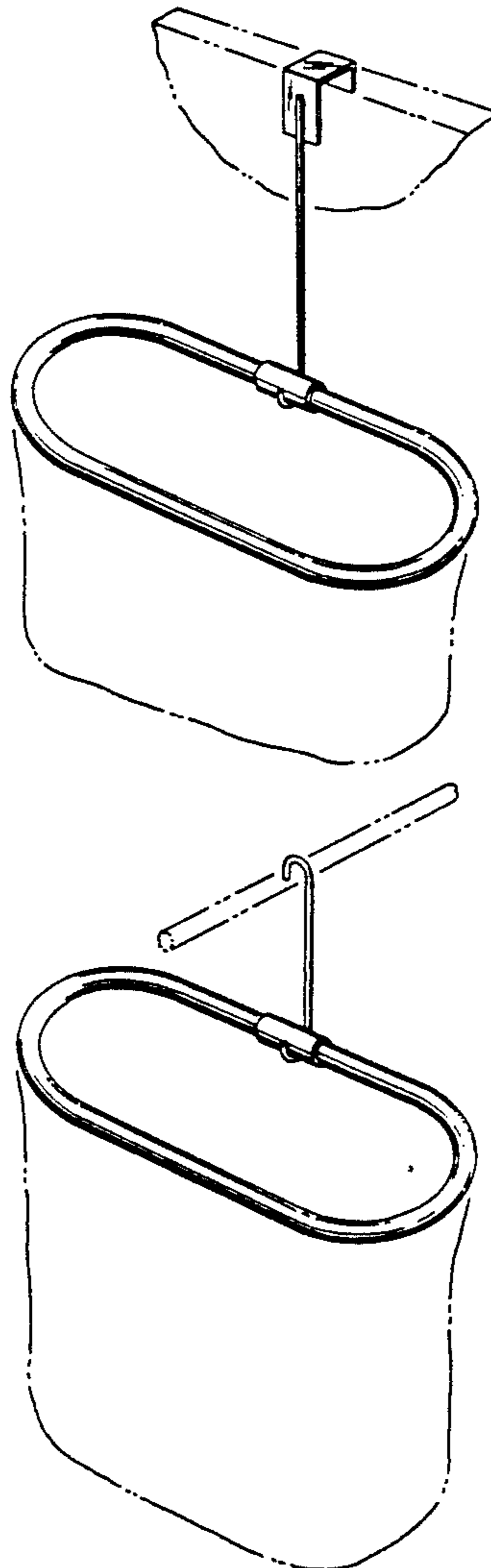


Fig. 2

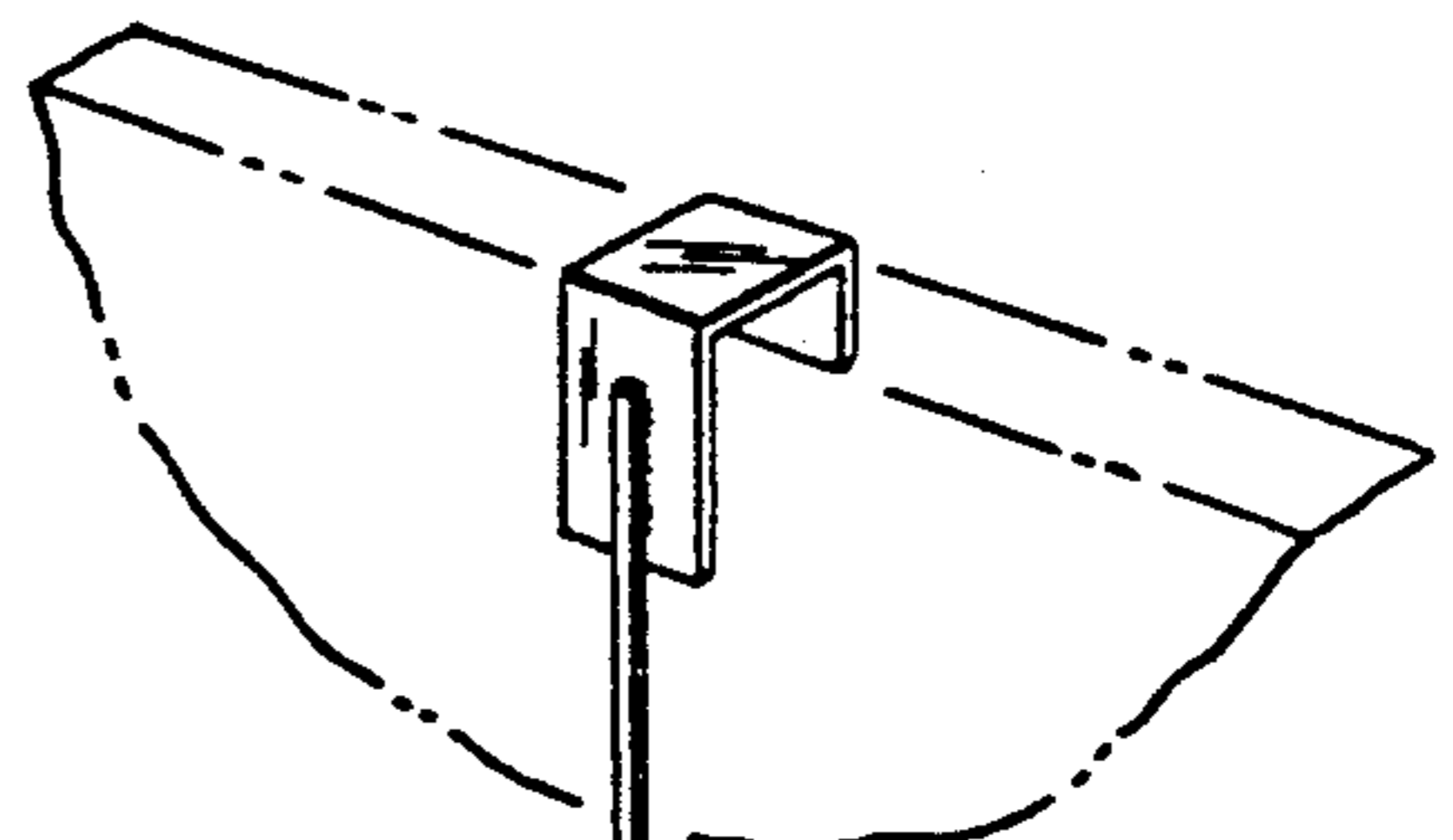
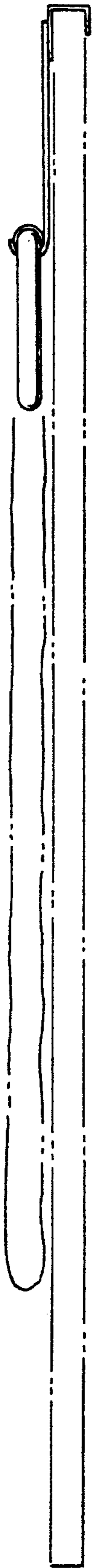


Fig. 1

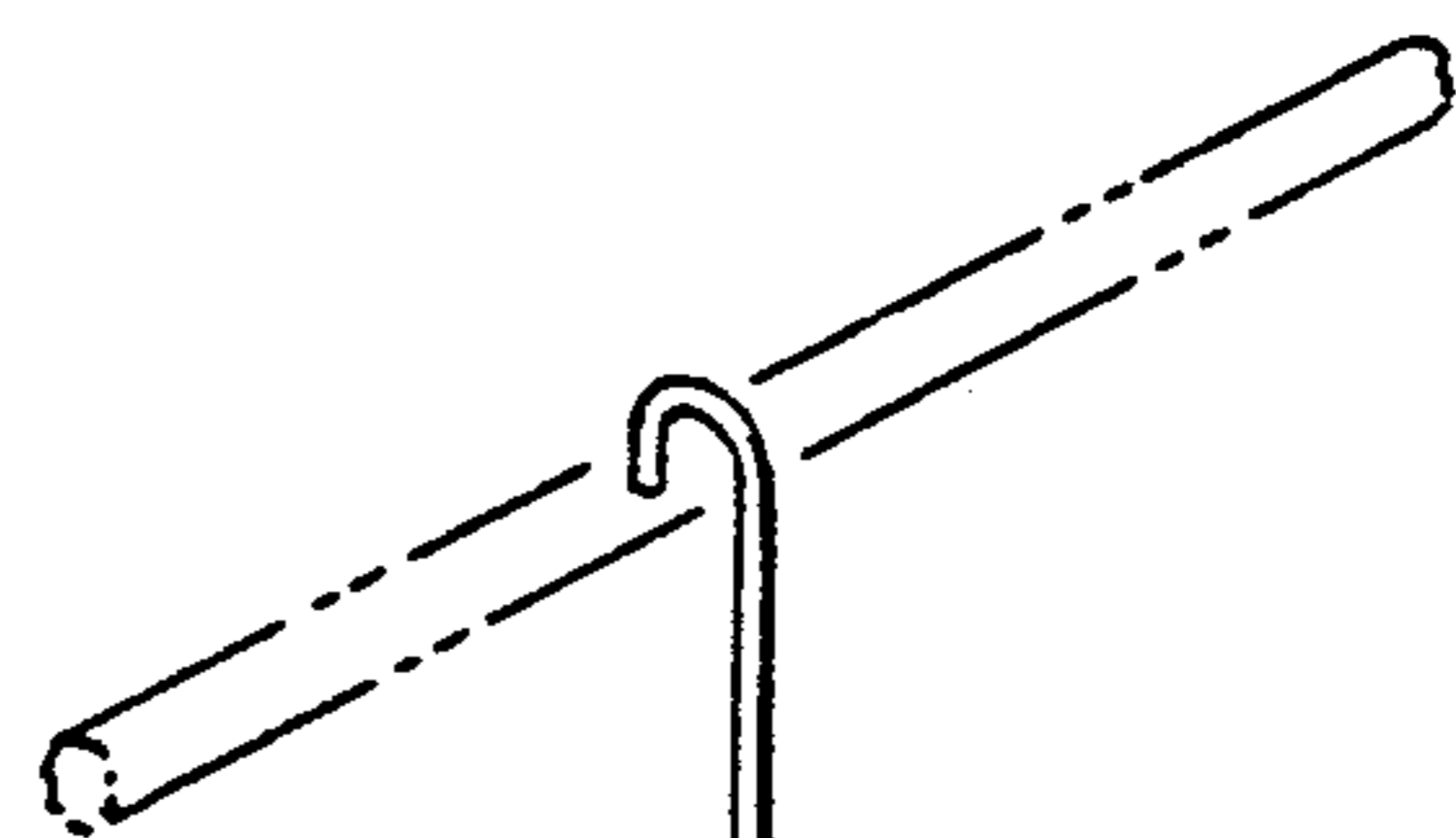
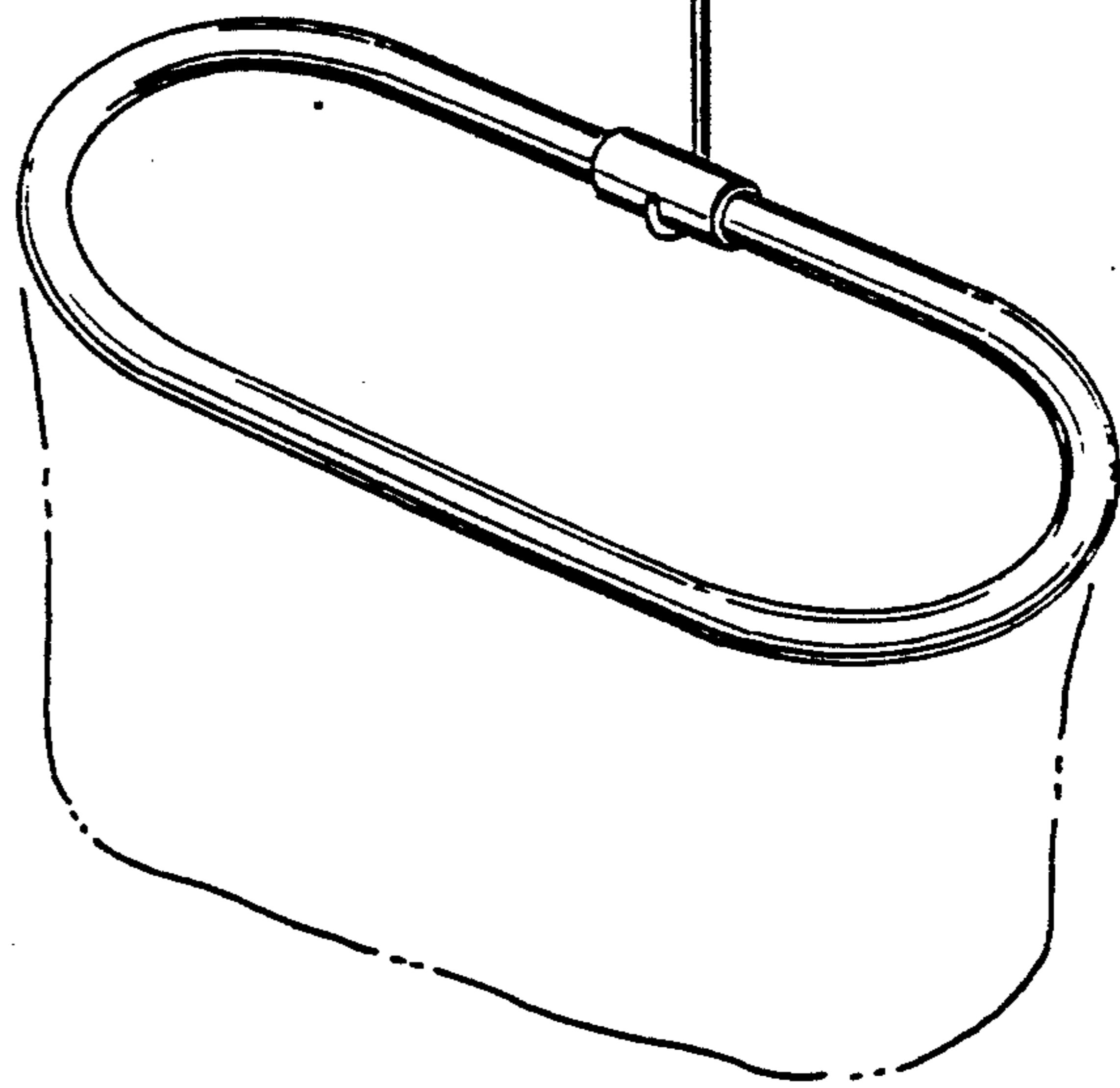


Fig. 3

