



US00D348961S

United States Patent [19] Kimes

[11] Patent Number: **Des. 348,961**
[45] Date of Patent: **** Jul. 19, 1994**

[54] **COMBINED DUAL AXLE SEWER AND CATCH BASIN CLEANER**

[75] Inventor: **Kevin M. Kimes, Ottawa, Ill.**

[73] Assignee: **Peabody Myers Corporation, Streator, Ill.**

[**] Term: **14 Years**

[21] Appl. No.: **586,594**

[22] Filed: **Sep. 21, 1990**

[52] U.S. Cl. **D32/14**

[58] Field of Search **15/104.03, 104.05, 104.31, 15/104.32, 104.33, 314; D32/1, 14, 16; D12/14**

[56] **References Cited**

U.S. PATENT DOCUMENTS

D. 181,299 10/1957 List **D32/16**

D. 231,387 4/1974 Krier et al. **D32/16**
D. 258,962 4/1981 Tate **D32/16**
3,819,069 6/1974 Bauman et al. **15/314**
3,955,236 5/1976 Mekelburg **15/314**
4,356,039 10/1982 Clifford **15/104.31**

Primary Examiner—Ruth McInroy
Attorney, Agent, or Firm—John G. Gilfillan, III

[57] **CLAIM**

The ornamental design for a combined dual axle sewer and catch basin cleaner, as shown and described.

DESCRIPTION

FIG. 1 is a top elevation view of a combined dual axle sewer and catch basin cleaner showing my new design; FIG. 2 is a left side elevation view thereof; FIG. 3 is a right side elevation view thereof; FIG. 4 is a front elevation view thereof; and, FIG. 5 is a rear elevation view thereof.

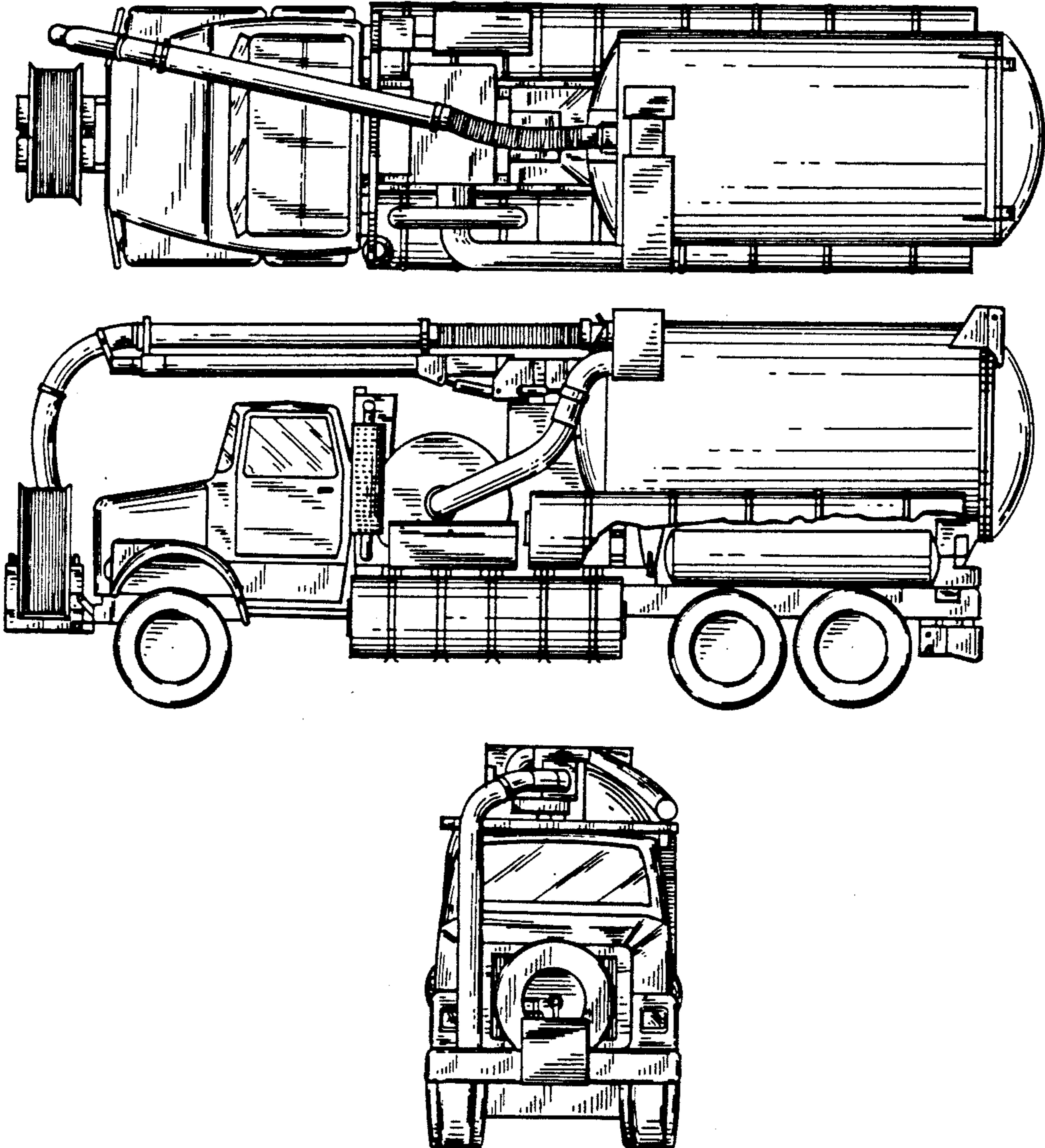


FIG. 1

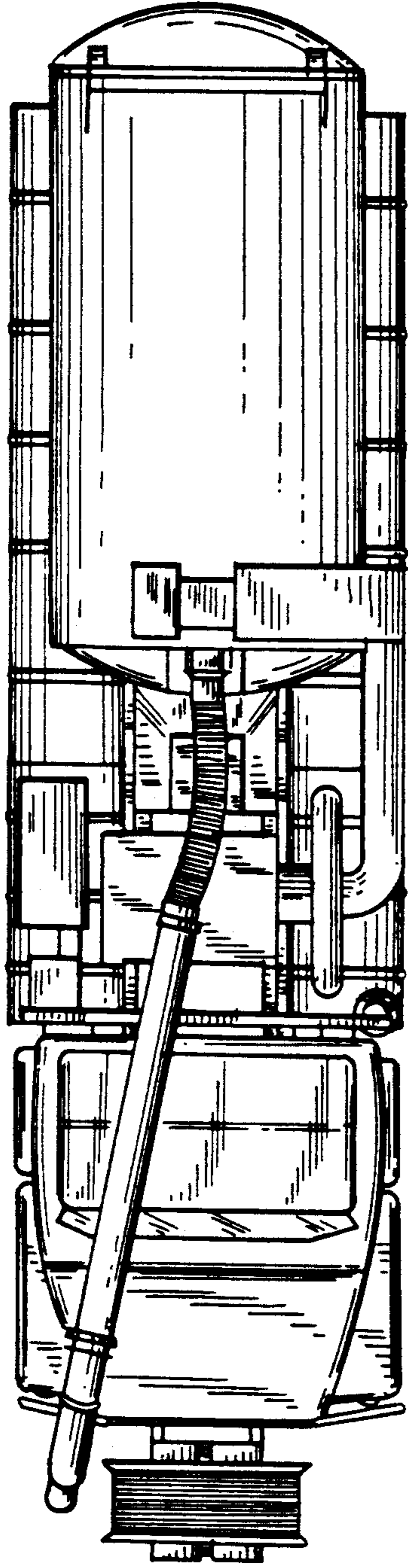


FIG. 2

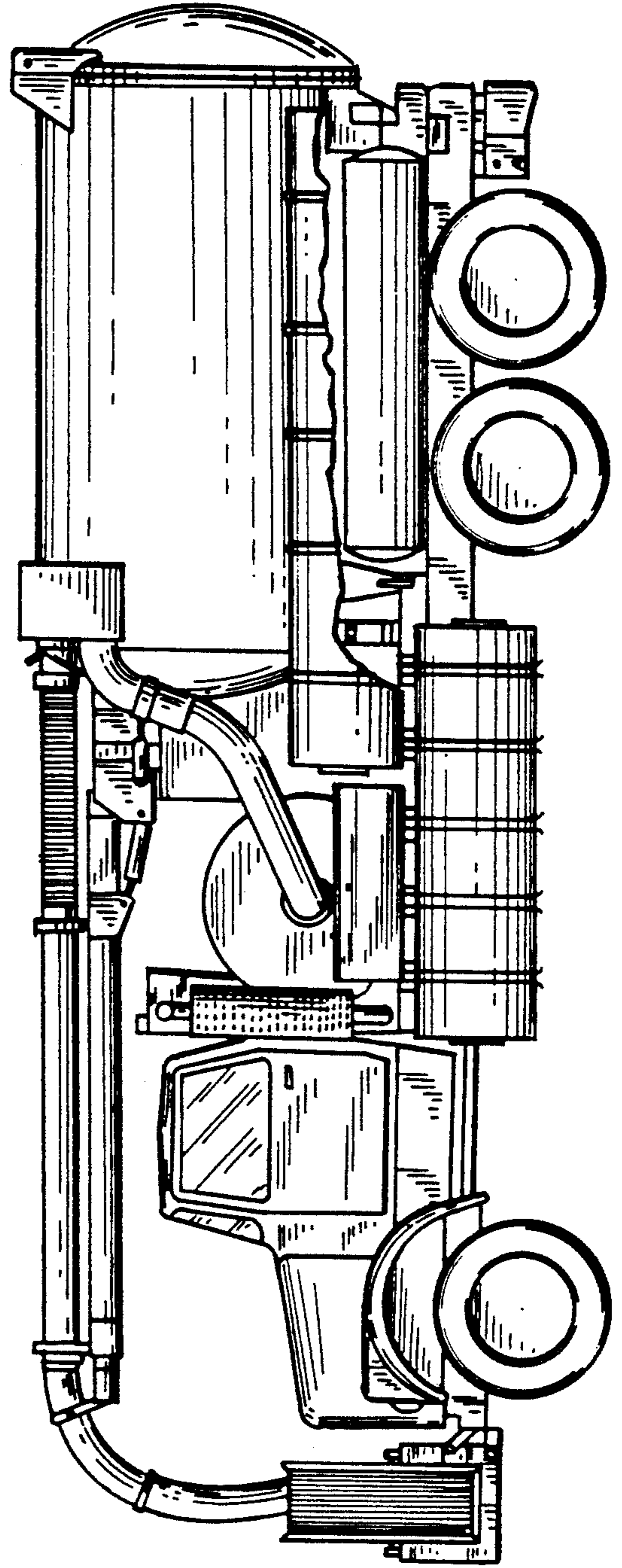


FIG. 3

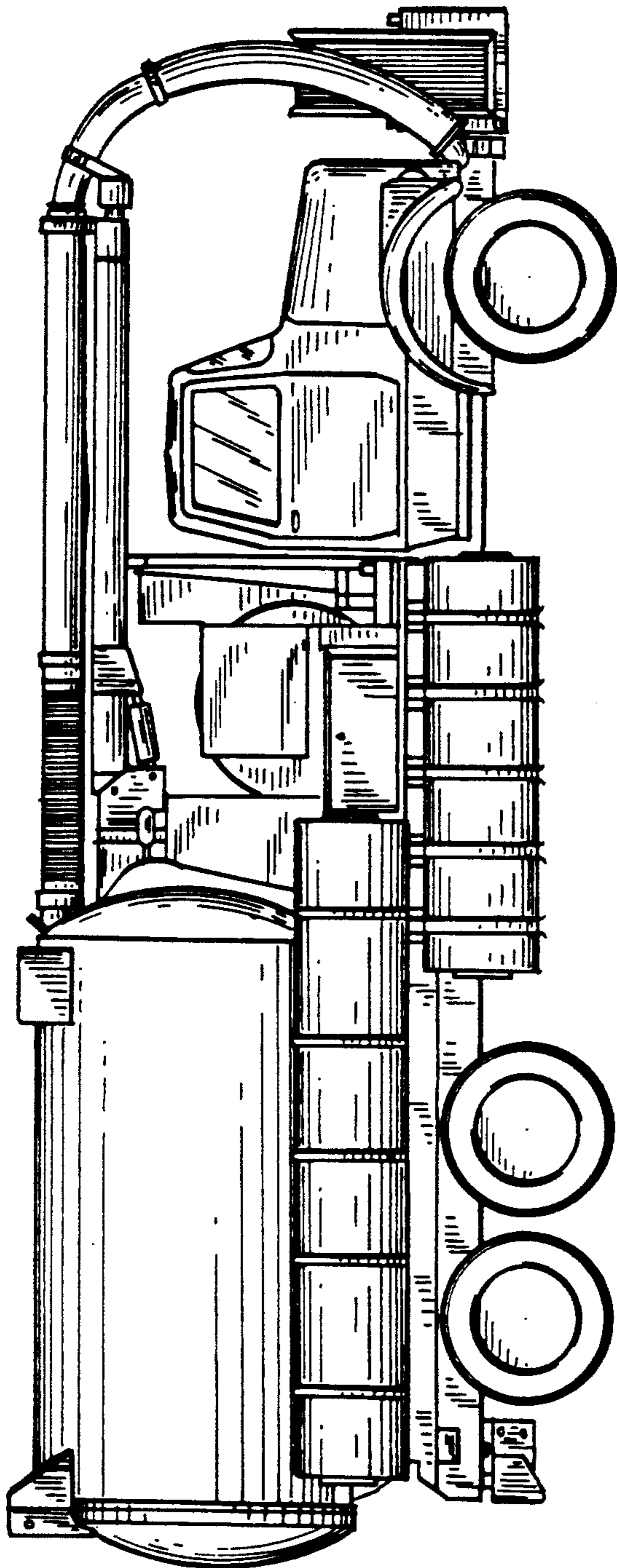


FIG. 4

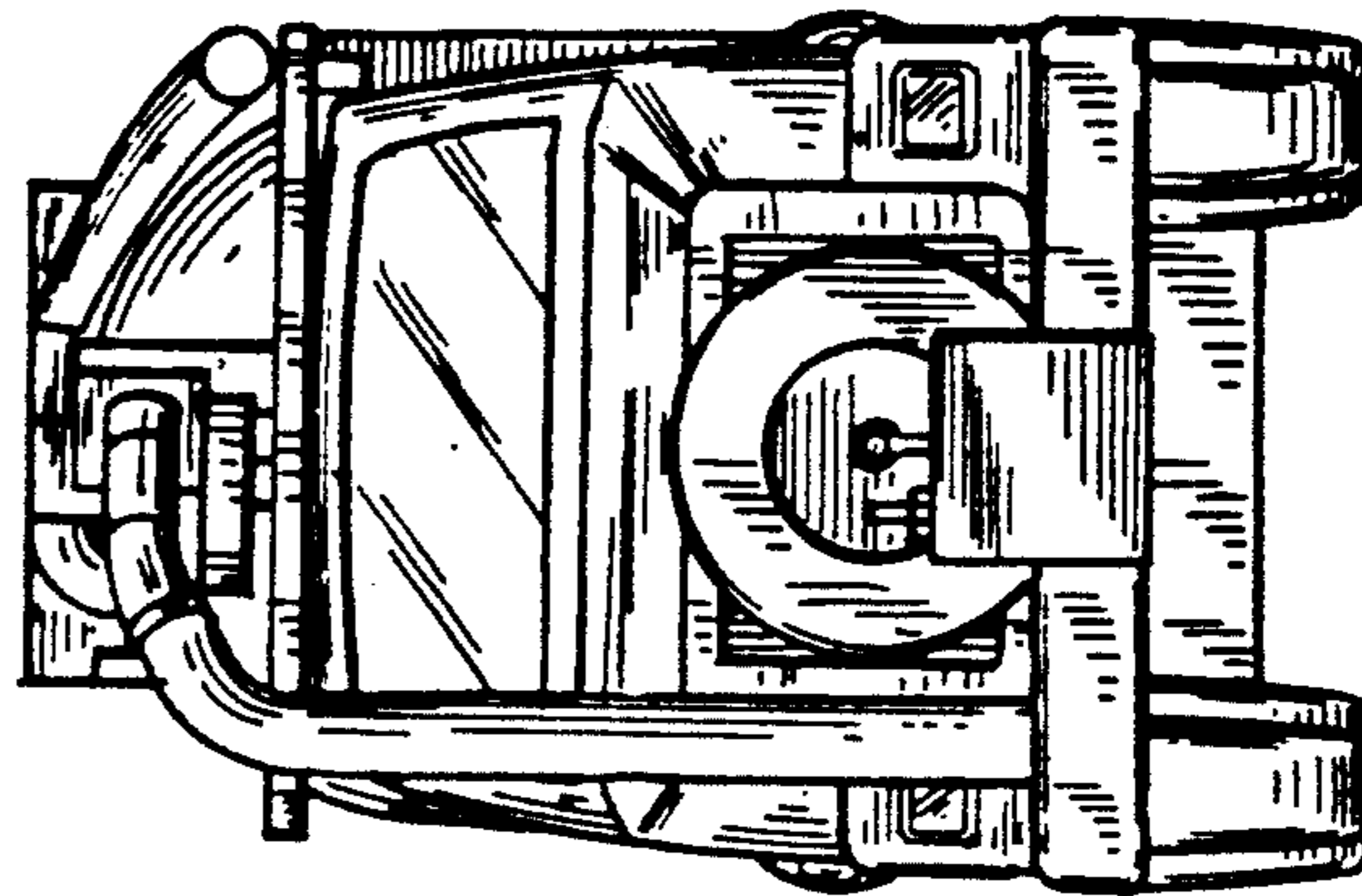


FIG. 5

