



US00D348960S

# United States Patent [19] McCaffrey

[11] Patent Number: **Des. 348,960**

[45] Date of Patent: **\*\* Jul. 19, 1994**

[54] **WORKSTATION WITH AN EQUIPMENT RACK**

[75] Inventor: **Jeffrey T. McCaffrey, Portland, Oreg.**

[73] Assignee: **Anthro Corporation, Portland, Oreg.**

[\*\*] Term: **14 Years**

[21] Appl. No.: **3,391**

[22] Filed: **Jan. 5, 1993**

### Related U.S. Application Data

- [63] Continuation-in-part of Ser. No. 1,920, Nov. 24, 1992.
- [52] U.S. Cl. .... **D34/20; D34/17**
- [58] Field of Search ..... 280/47.35, 47.34, 79.2, 280/79.3; 211/133, 177; 312/297, 322, 108, 257, 100, 250; D6/477, 478, 479, 474, 431, 487; D34/12, 17, 19, 20, 21

### [56] References Cited

#### U.S. PATENT DOCUMENTS

- D. 144,568 4/1946 Johnson ..... D6/474
- D. 176,490 1/1956 Adler ..... D6/474
- D. 315,261 3/1991 Ng et al. .... D34/20
- D. 323,259 1/1992 Evans ..... D6/474

*Primary Examiner*—**Kay H. Chin**

*Attorney, Agent, or Firm*—**Stoel Rives Boley Jones & Grey**

### [57] CLAIM

Th ornamental design for a workstation with an equipment rack, as shown and described.

### DESCRIPTION

FIG. 1 is a top, front and right side perspective view of a workstation with an equipment rack showing my new design;

FIG. 2 is a top plan view thereof;

FIG. 3 is a bottom plan view thereof;

FIG. 4 is a right side elevational view thereof;

FIG. 5 is a front elevational view thereof; and,

FIG. 6 is a rear elevational view thereof.

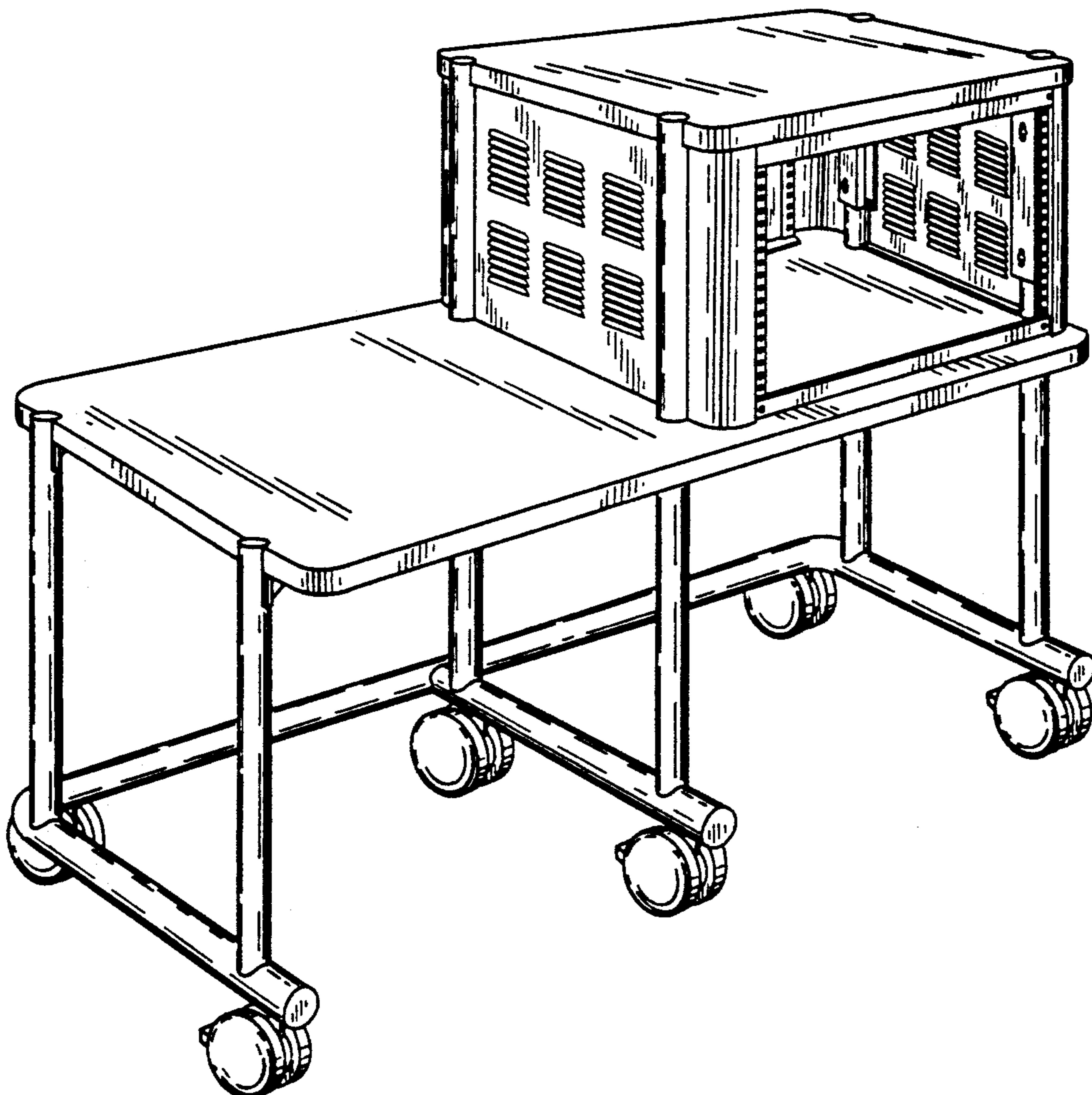


FIG. 1

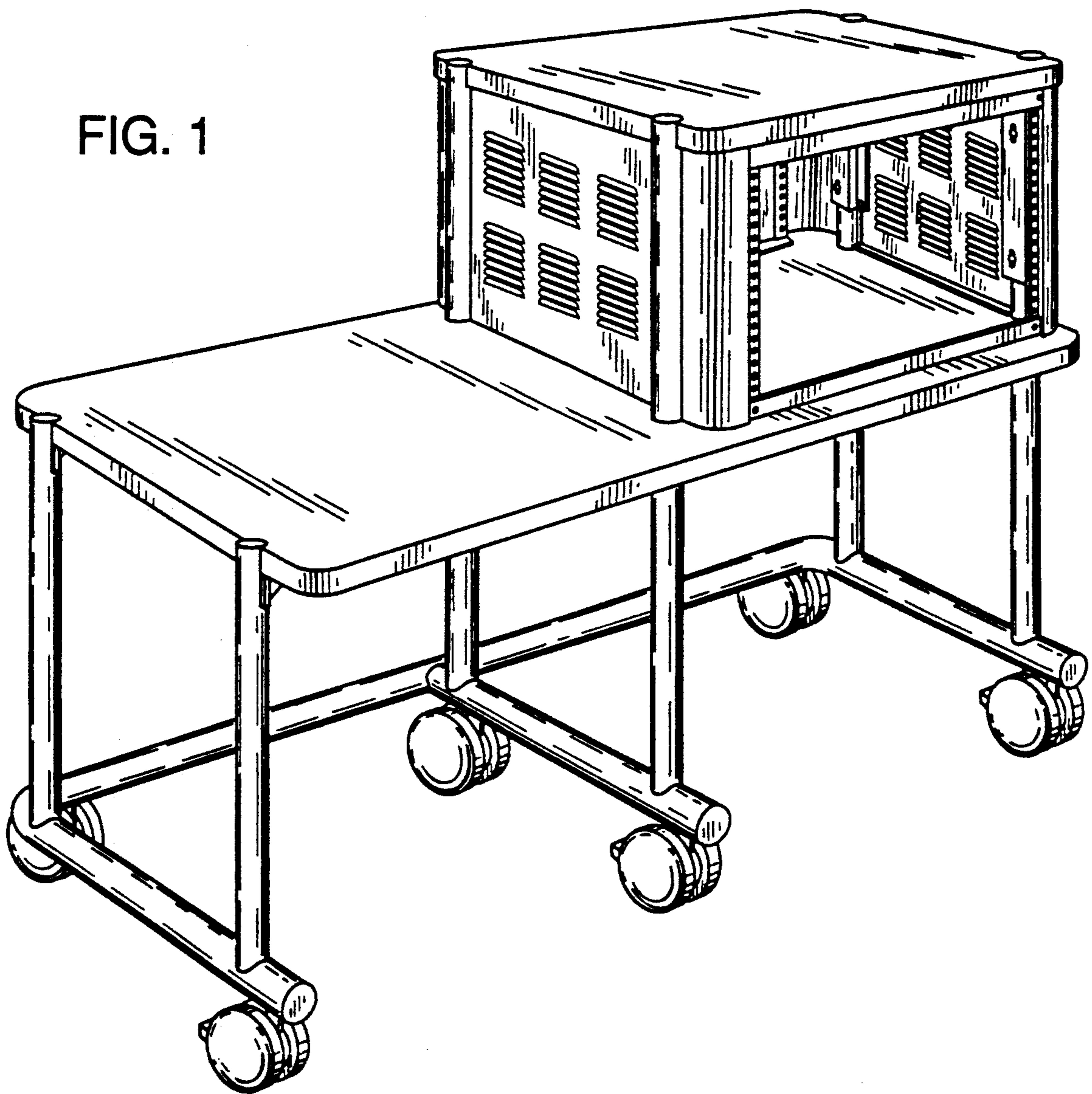


FIG. 2

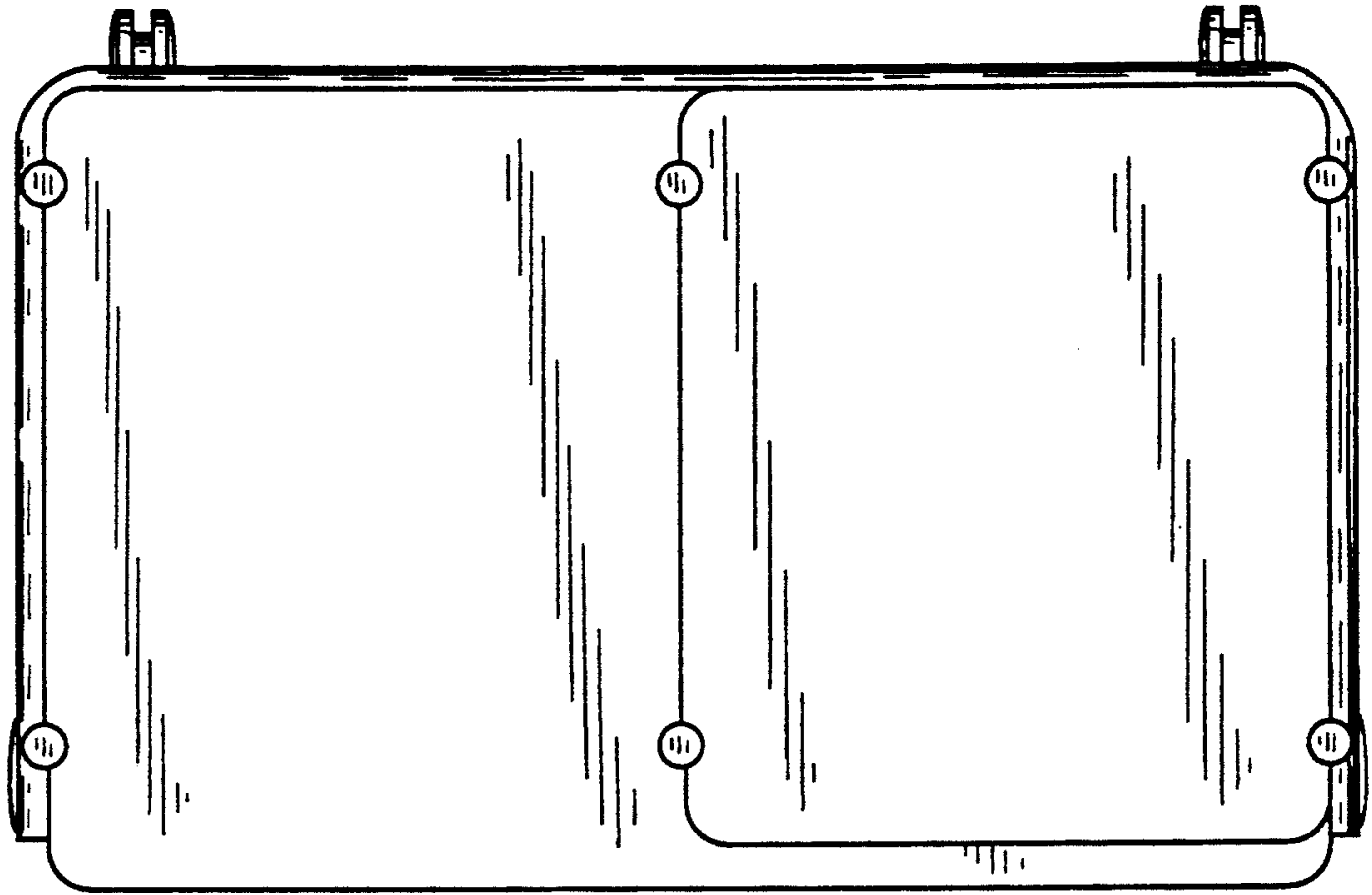


FIG. 3

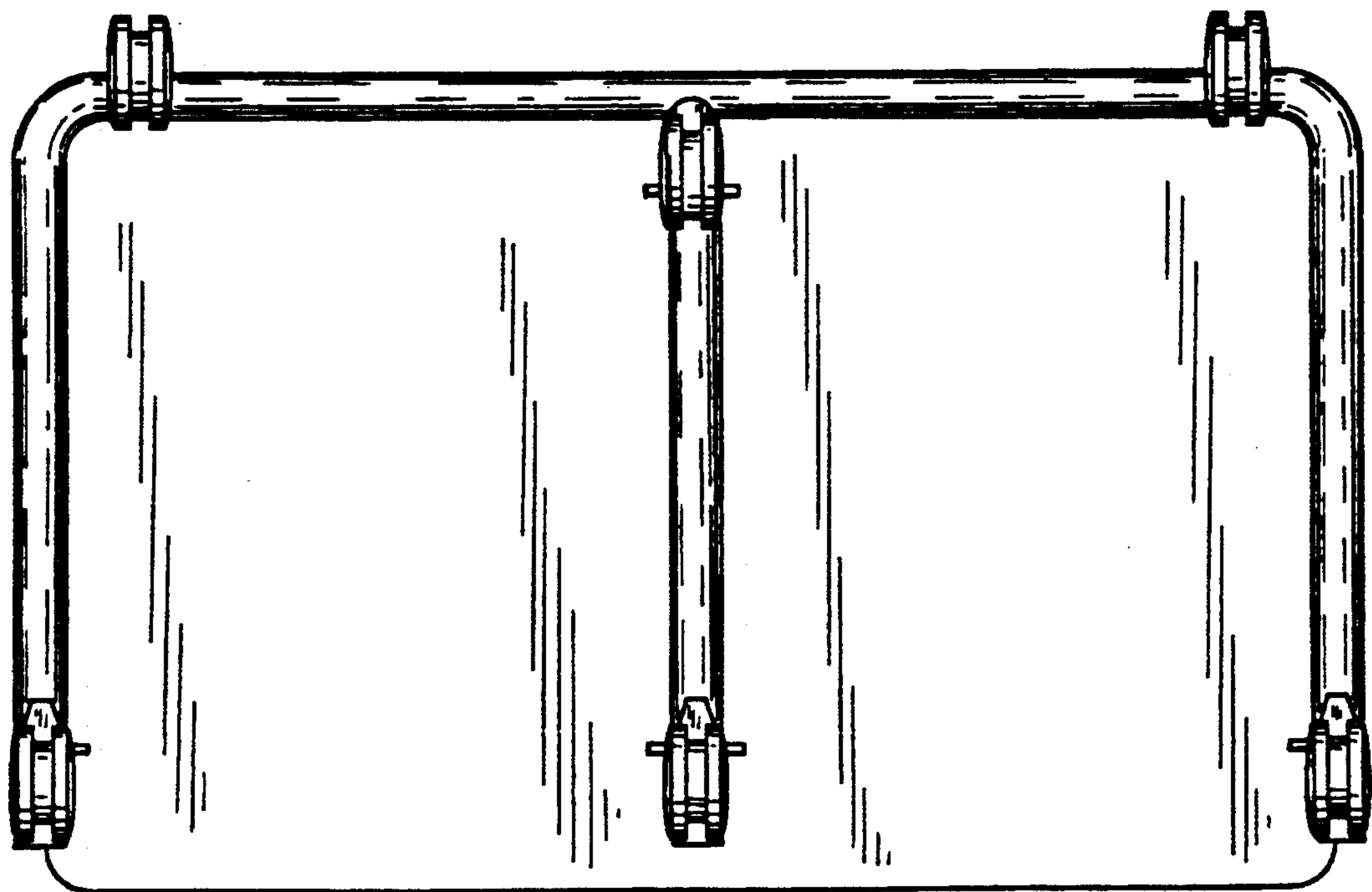


FIG. 4

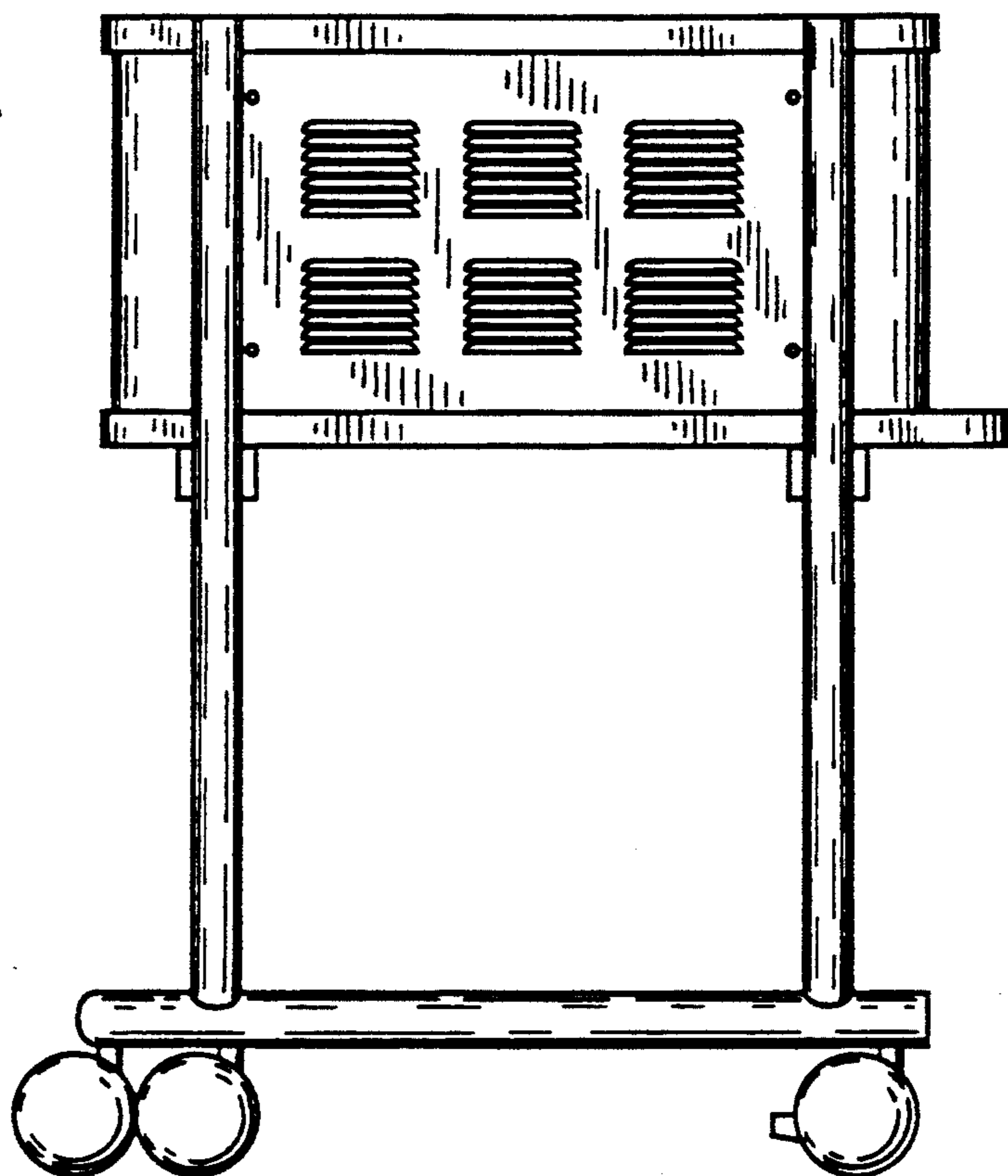
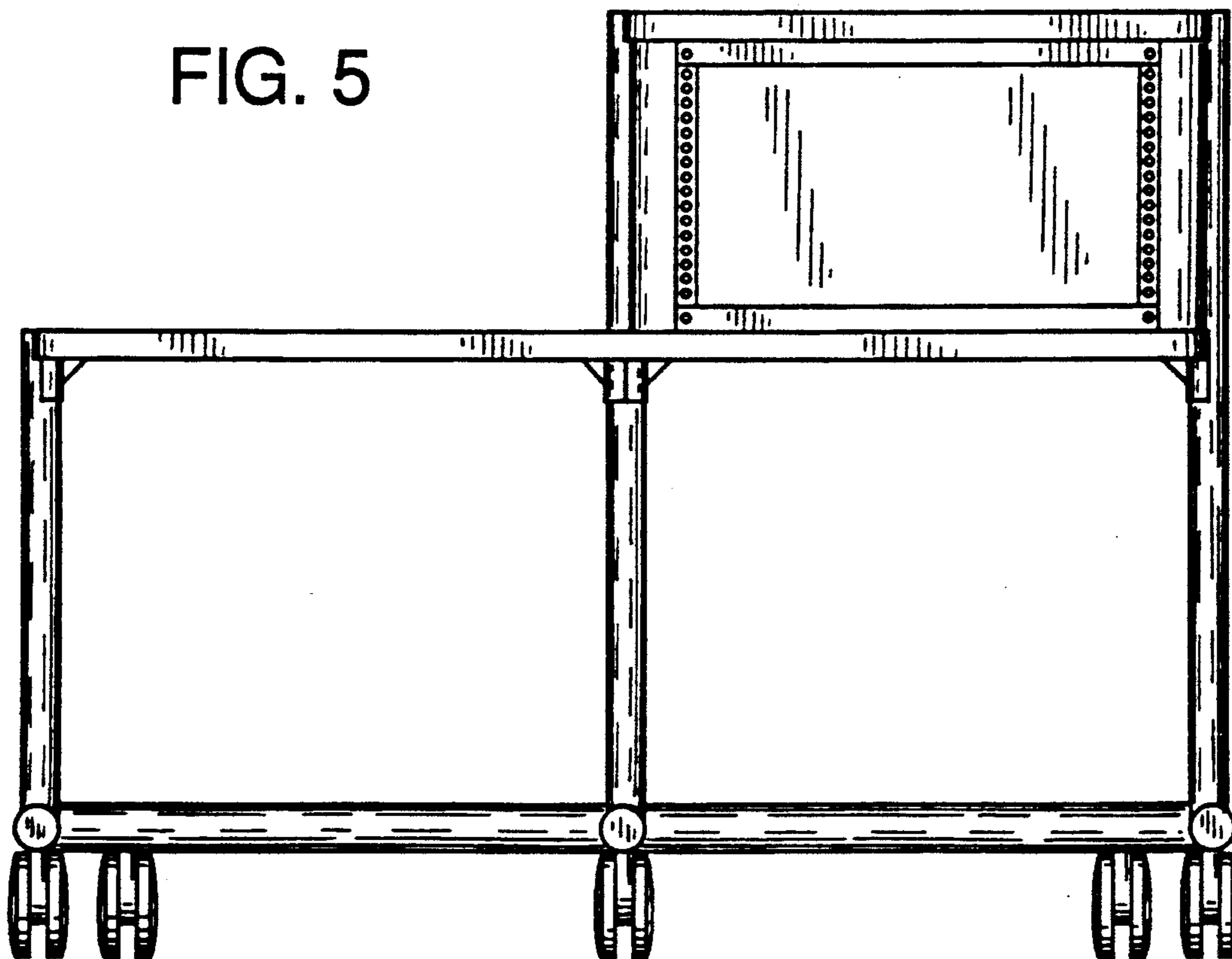


FIG. 5



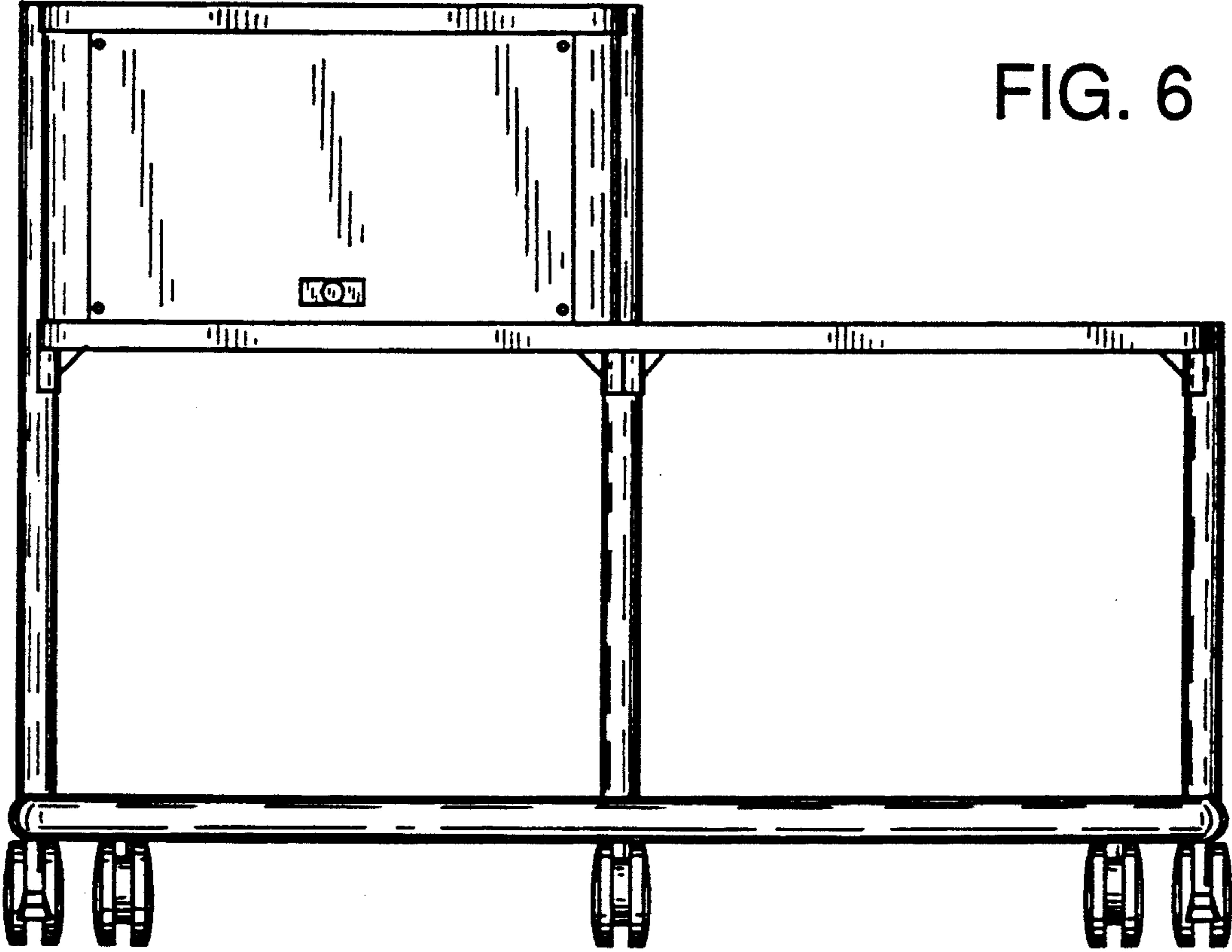


FIG. 6