



US00D348956S

# United States Patent [19] Presser

[11] Patent Number: **Des. 348,956**  
[45] Date of Patent: **\*\* Jul. 19, 1994**

[54] **HAIR CURLER STEAMER**

[75] Inventor: **Mark Presser, New York, N.Y.**

[73] Assignee: **Celeste Company, Inc., Warminster, Pa.**

[\*\*] Term: **14 Years**

[21] Appl. No.: **908,020**

[22] Filed: **Jul. 2, 1992**

[52] U.S. Cl. .... **D28/38**

[58] Field of Search ..... D3/30.1, 39; D7/538, D7/539, 540, 542, 601, 602, 612, 641; 392/333-337; D9/337, 549, 558, 424, 425, 428; 99/410; 132/212, 227-229, 233; 219/222, 242; 126/369; D23/360, 362; D24/217, 218, 224; D28/9, 10, 38, 73

4,197,791 4/1980 Vicceli et al. .... 99/467 X  
4,658,114 4/1987 Hong ..... 132/229 X  
4,771,797 9/1988 Kosaka ..... 132/272

**FOREIGN PATENT DOCUMENTS**

2226241 6/1990 United Kingdom ..... 219/242

**OTHER PUBLICATIONS**

Molecular Vapor Hair Rollers, 1981.

*Primary Examiner*—Bernard Ansher

*Assistant Examiner*—C. Tuttle

*Attorney, Agent, or Firm*—Woodcock Washburn Kurtz Mackiewicz & Norris

[57] **CLAIM**

The ornamental design for a hair curler steamer, as shown and described.

**DESCRIPTION**

FIG. 1 is a top, front, side perspective view of a hair curler steamer showing my new design;

FIG. 2 is a top plan view;

FIG. 3 is a front elevational view thereof, the rear elevational view being identical;

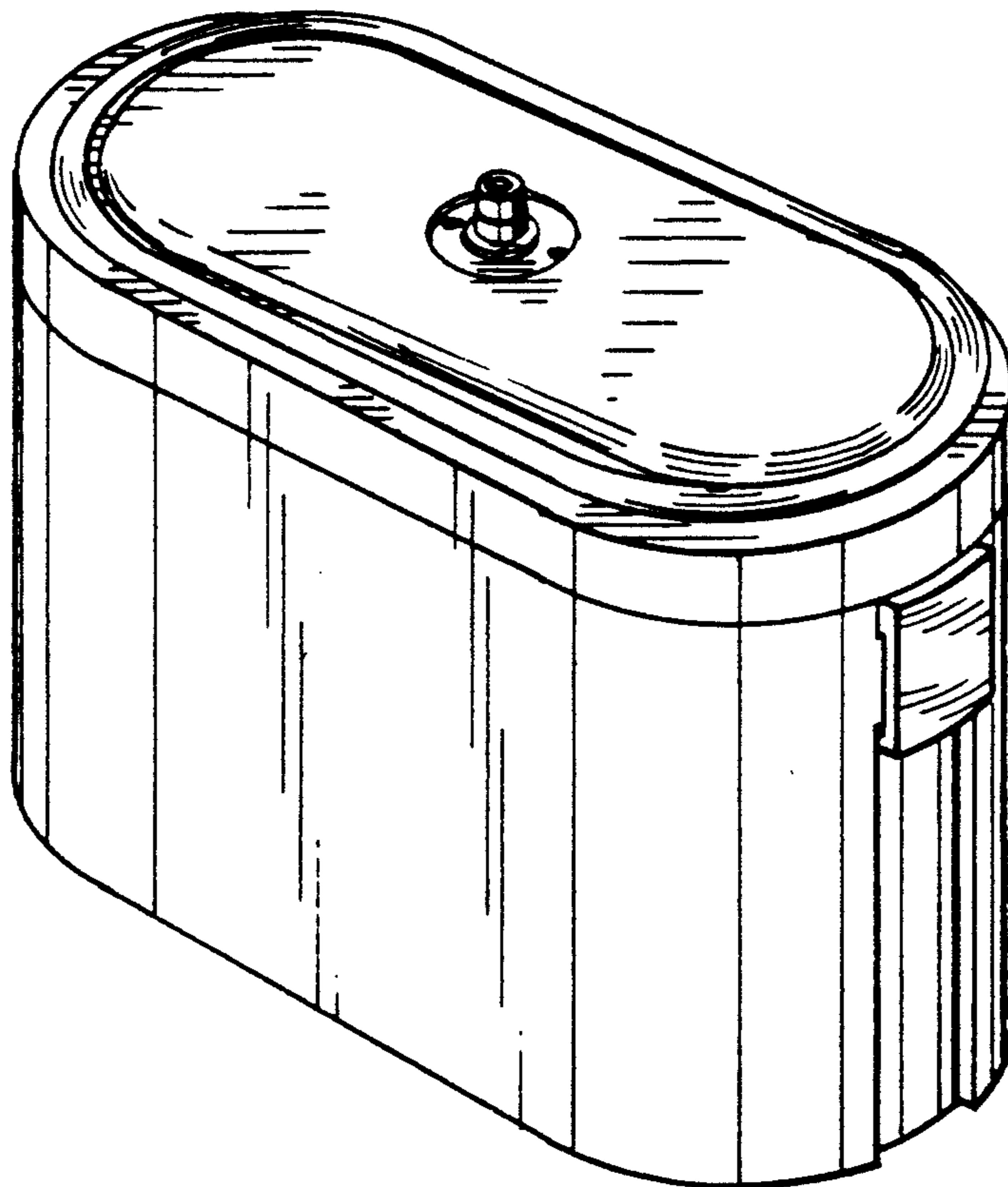
FIG. 4 is a bottom plan view thereof; and,

FIG. 5 is a side elevational view thereof, the opposite side being identical.

[56] **References Cited**

**U.S. PATENT DOCUMENTS**

D. 167,044	8/1951	Huck	.....	D23/362
D. 217,204	4/1970	Pedersen	.....	D28/38
D. 289,090	3/1987	Wistrand	.....	D28/38
D. 290,530	6/1987	Wistrand	.....	D28/38
24,442	6/1859	Camp	.....	126/382
3,579,262	5/1971	Peeps	.....	392/335
3,636,860	1/1972	Green	.....	99/410



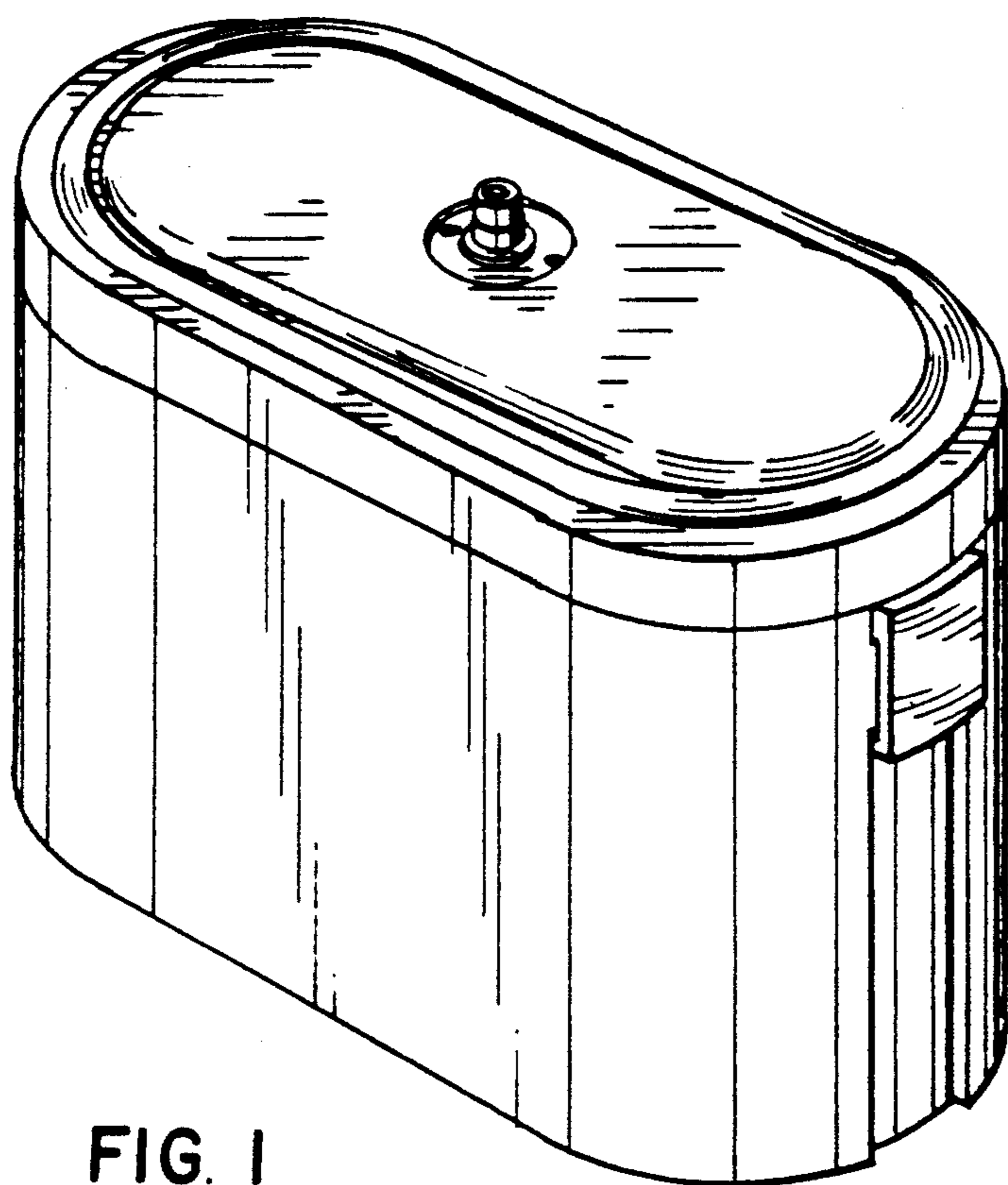


FIG. 1

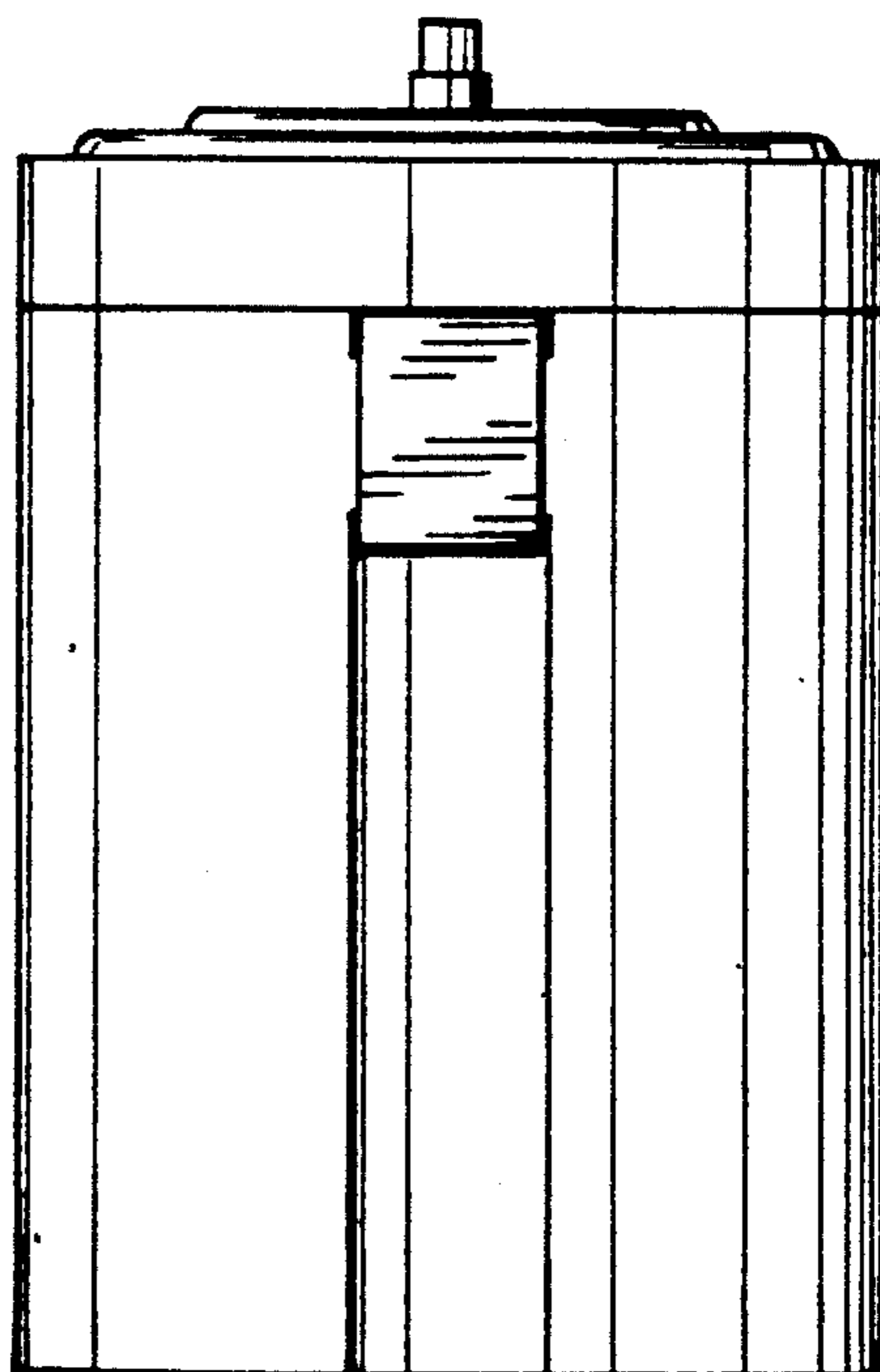


FIG. 5

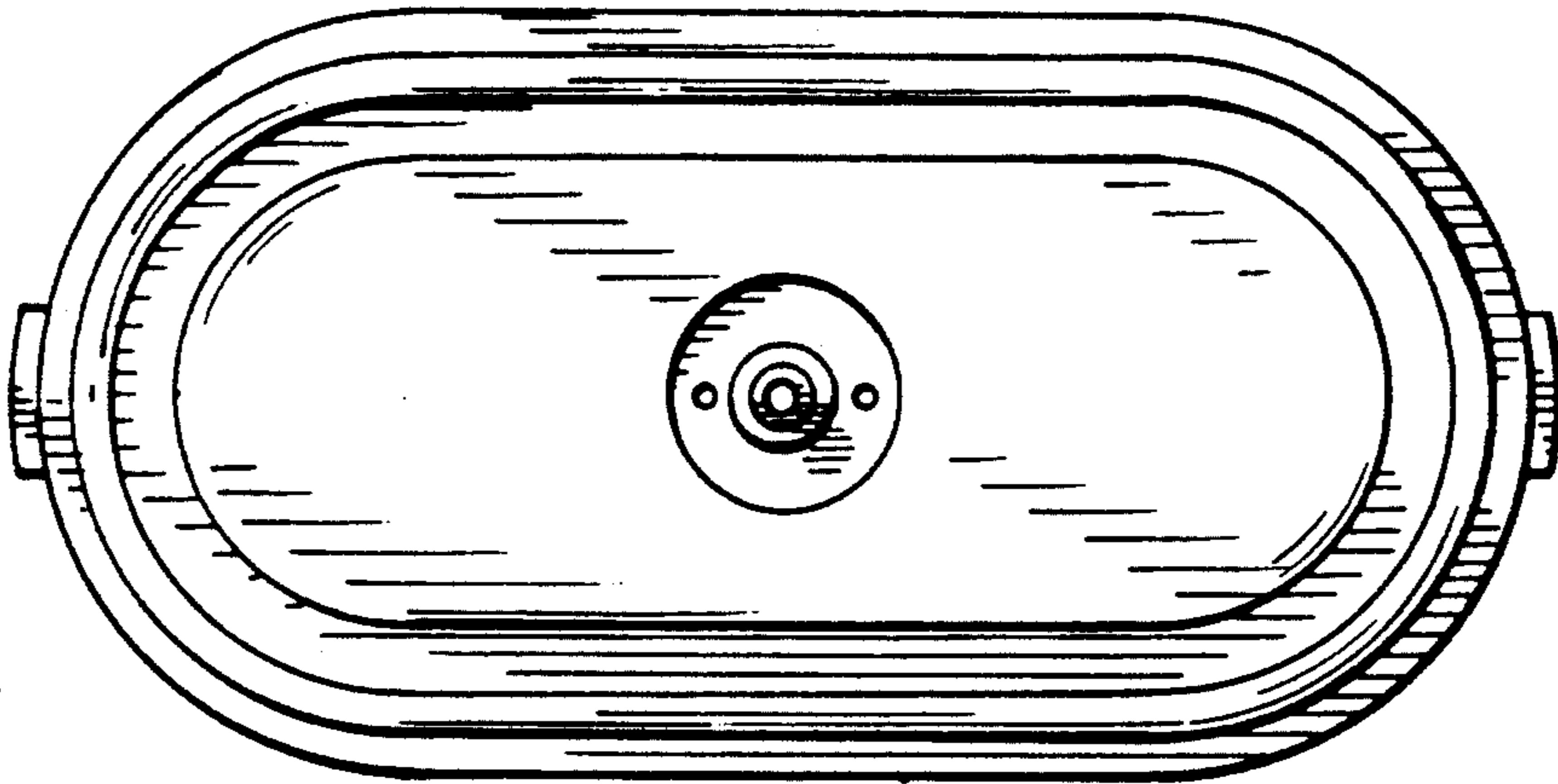


FIG. 2

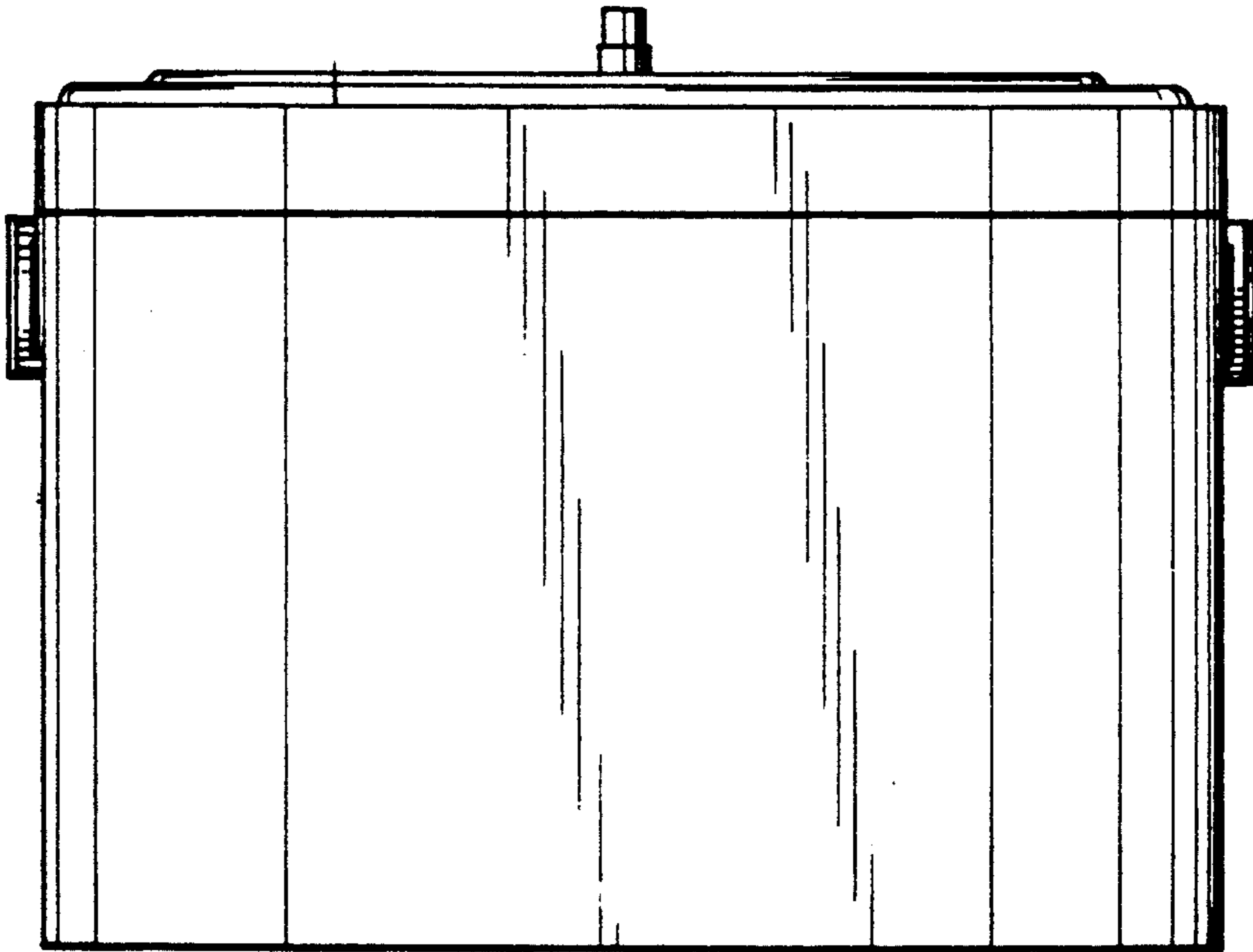


FIG. 3

FIG. 4

