



US00D348953S

# United States Patent [19]

[11] Patent Number: **Des. 348,953**

Shwisha

[45] Date of Patent: **\*\* Jul. 19, 1994**

## [54] LAMP HEAD FOR AN ADJUSTABLE LIGHTING FIXTURE

[75] Inventor: **Haim Shwisha**, Westport, Conn.

[73] Assignee: **Electrix, Inc.**, New Haven, Conn.

[\*\*] Term: **14 Years**

[21] Appl. No.: **817,416**

[22] Filed: **Jan. 6, 1992**

[52] U.S. Cl. .... **D26/135; D26/63**

[58] Field of Search ..... **362/341-358, 362/410-414, 419, 418; D26/118, 128-137, 60-66**

### [56] References Cited

#### U.S. PATENT DOCUMENTS

D. 286,082	10/1986	Shwisha	.....	D26/61
D. 301,633	6/1989	Shwisha	.....	D26/63
4,280,172	7/1981	Krogsrud	.....	D26/65

### OTHER PUBLICATIONS

Comb Liquidation Catalog, Sep. 1989, p. 6, Halogen Twist Lamp.

Home Lighting & Accessories, Dec. 1982, p. 26, George Kovacs Lighting Inc. Desk Lamp.

*Primary Examiner*—Susan J. Lucas

*Attorney, Agent, or Firm*—Bachman & LaPointe

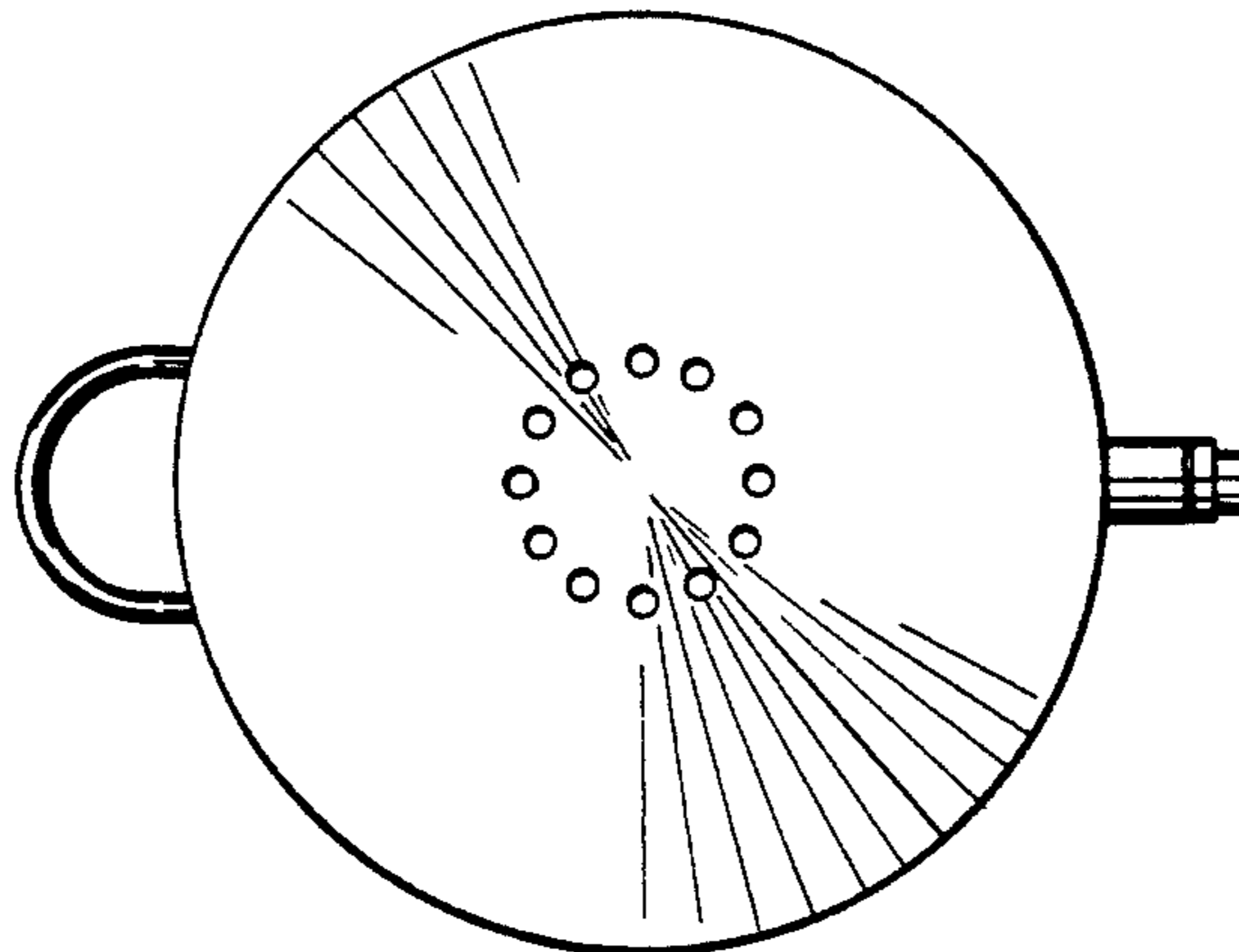
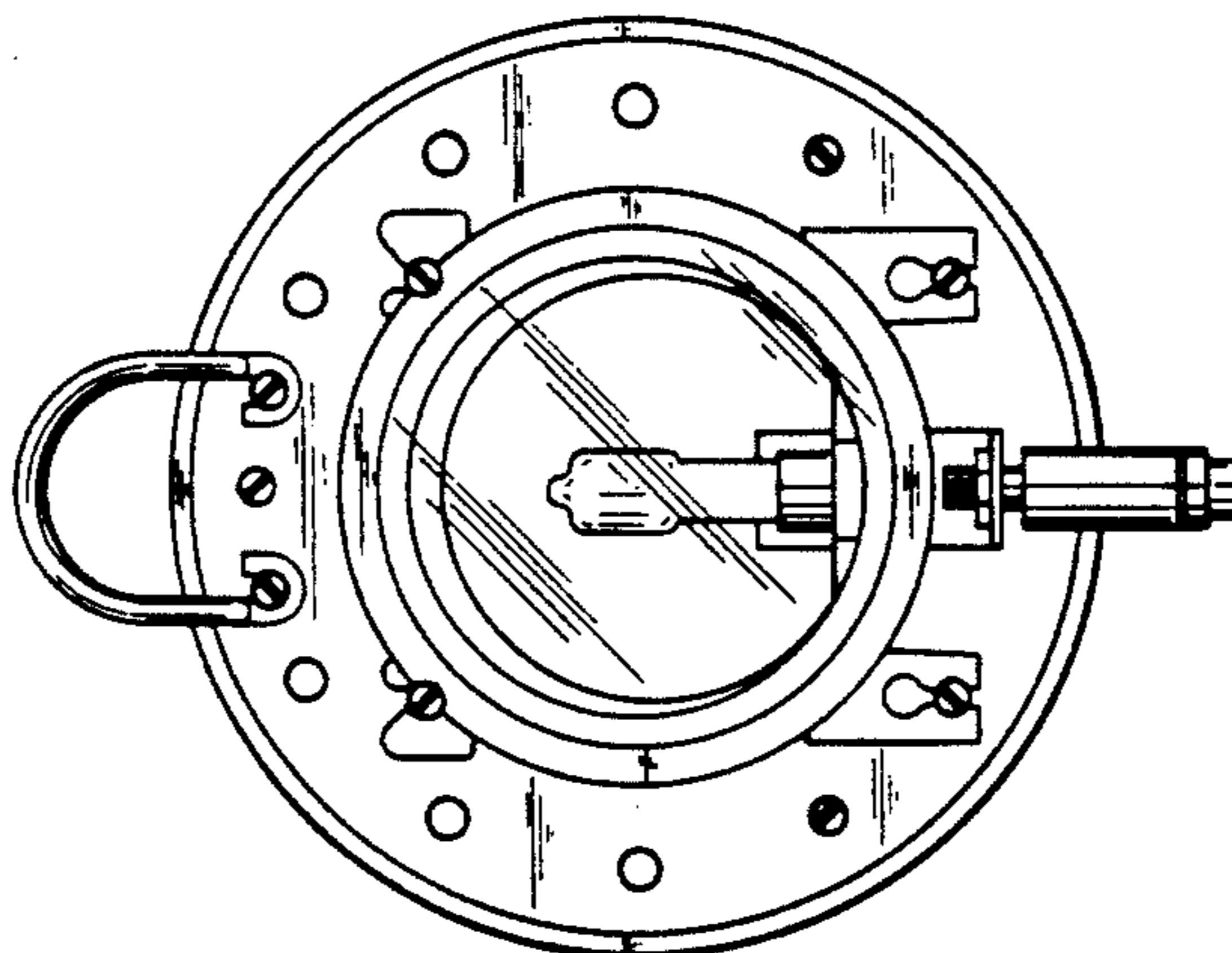
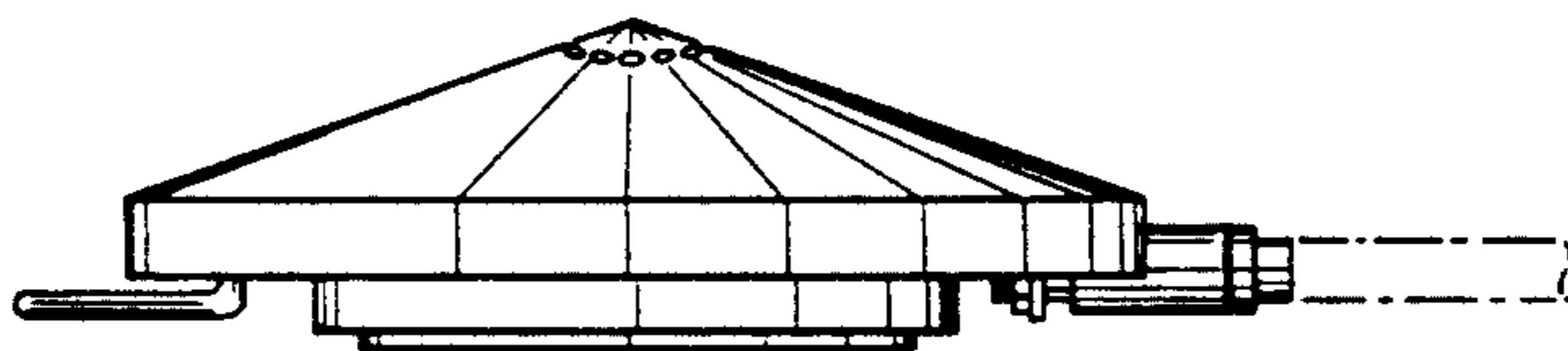
### [57] CLAIM

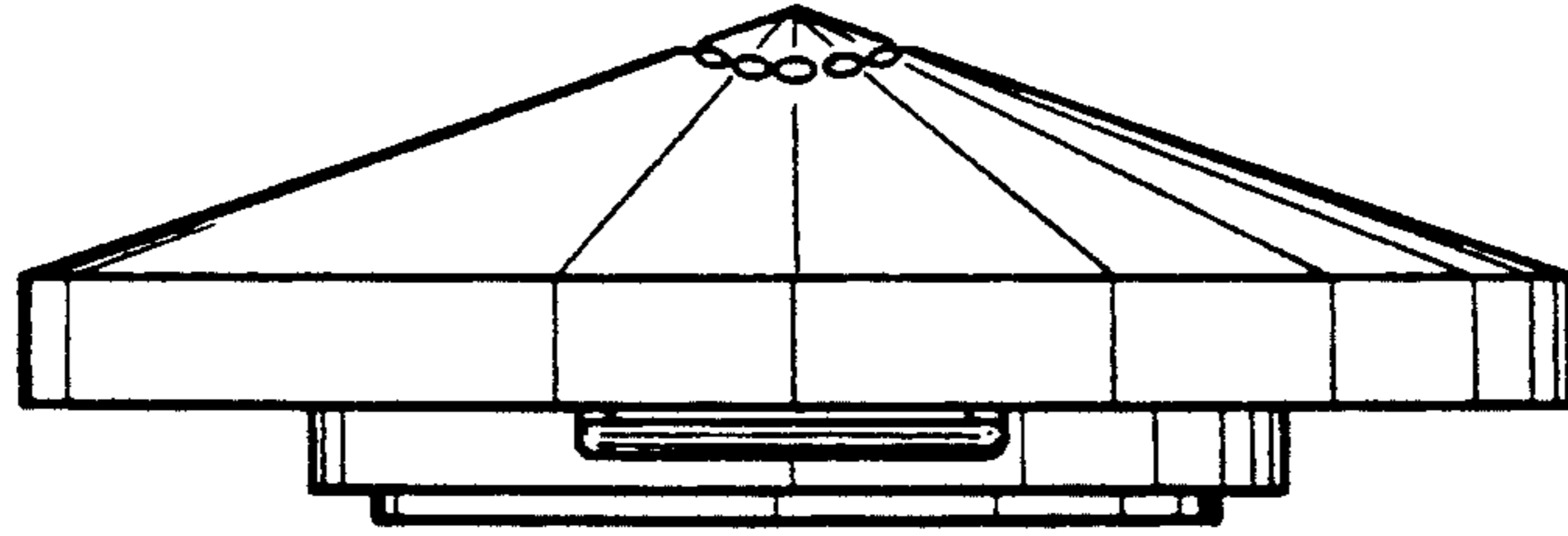
The ornamental design for a lamp head for an adjustable lighting fixture, as shown and described.

### DESCRIPTION

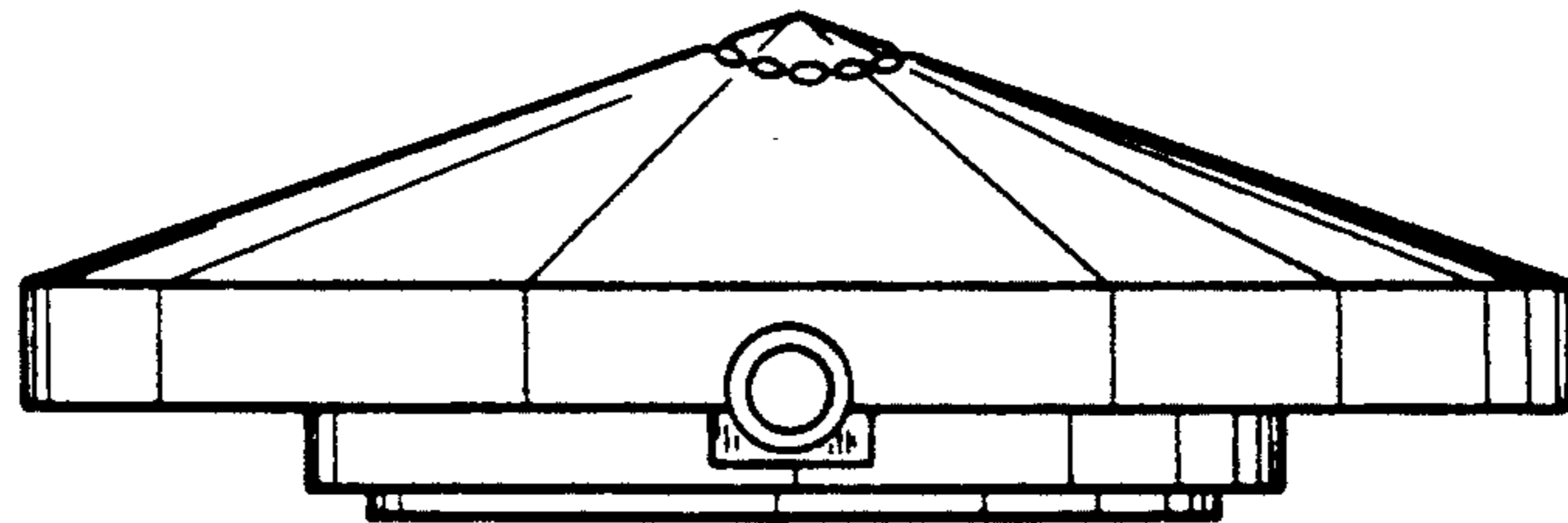
FIG. 1 is a front elevational view of the lamp head for an adjustable lighting fixture of the present invention; FIG. 2 is a rear elevational view thereof; FIG. 3 is a right side elevational view thereof; FIG. 4 is a left side elevational view thereof; FIG. 5 is a bottom plan view thereof; and, FIG. 6 is a top plan view thereof.

The broken lines are shown in FIG. 3 for illustrative purposes only.

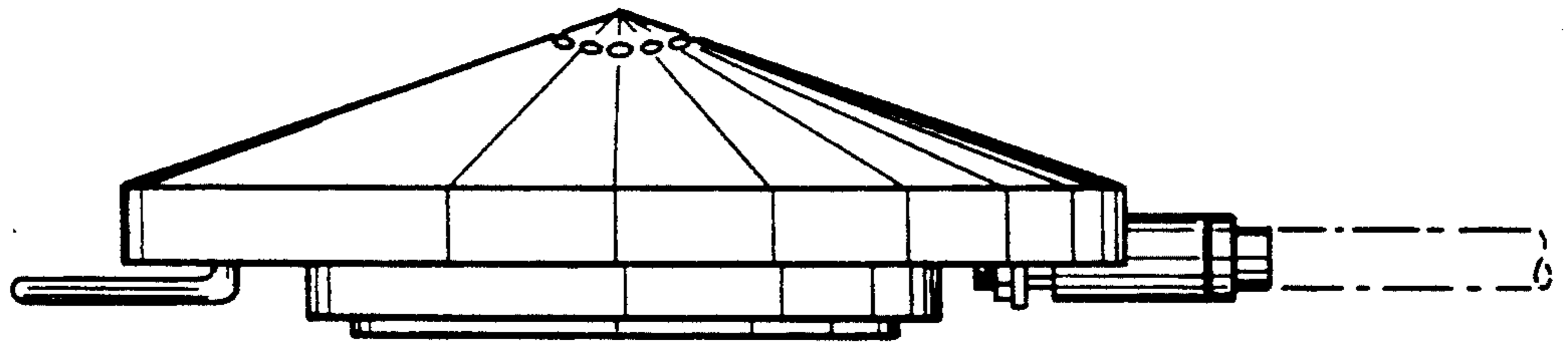




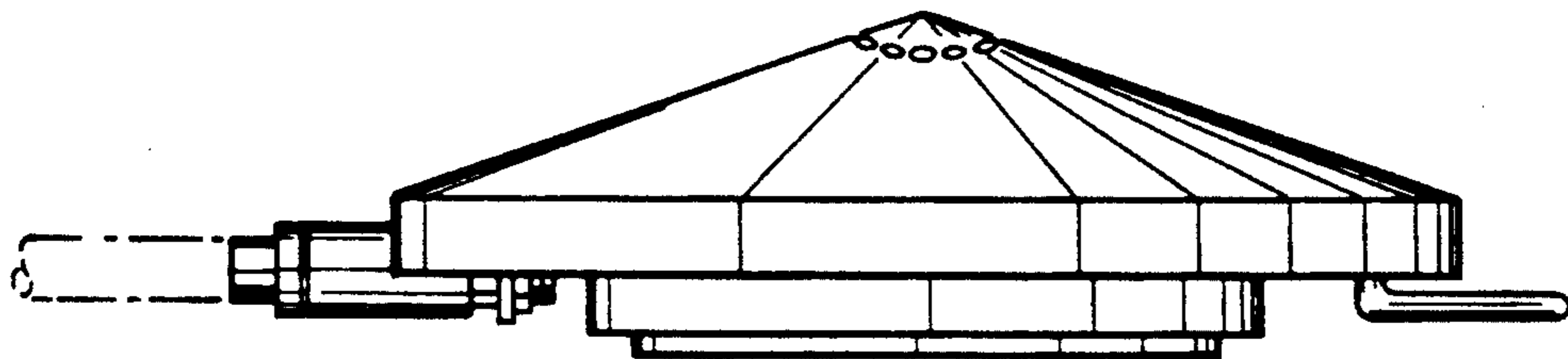
**FIG-1**



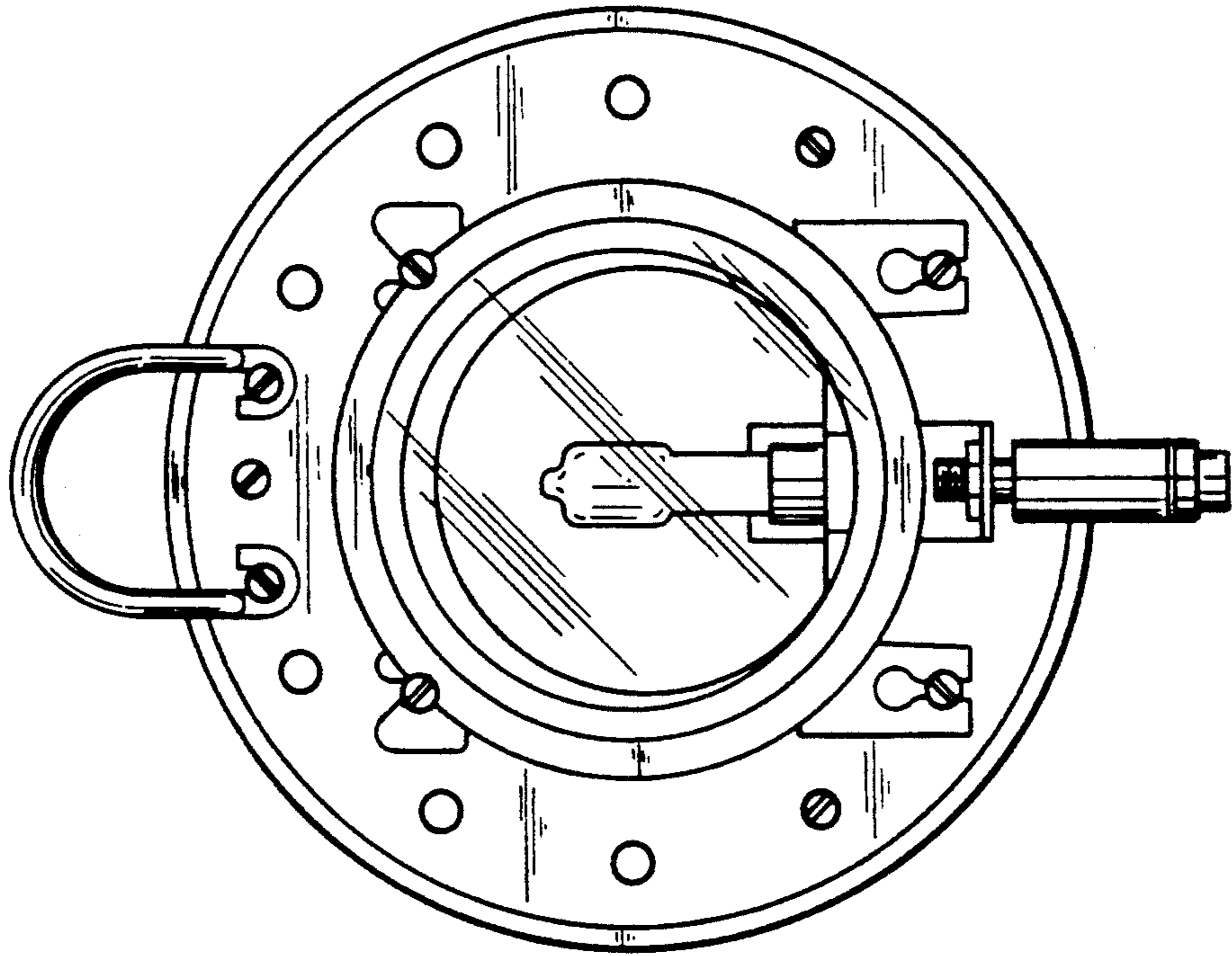
**FIG-2**



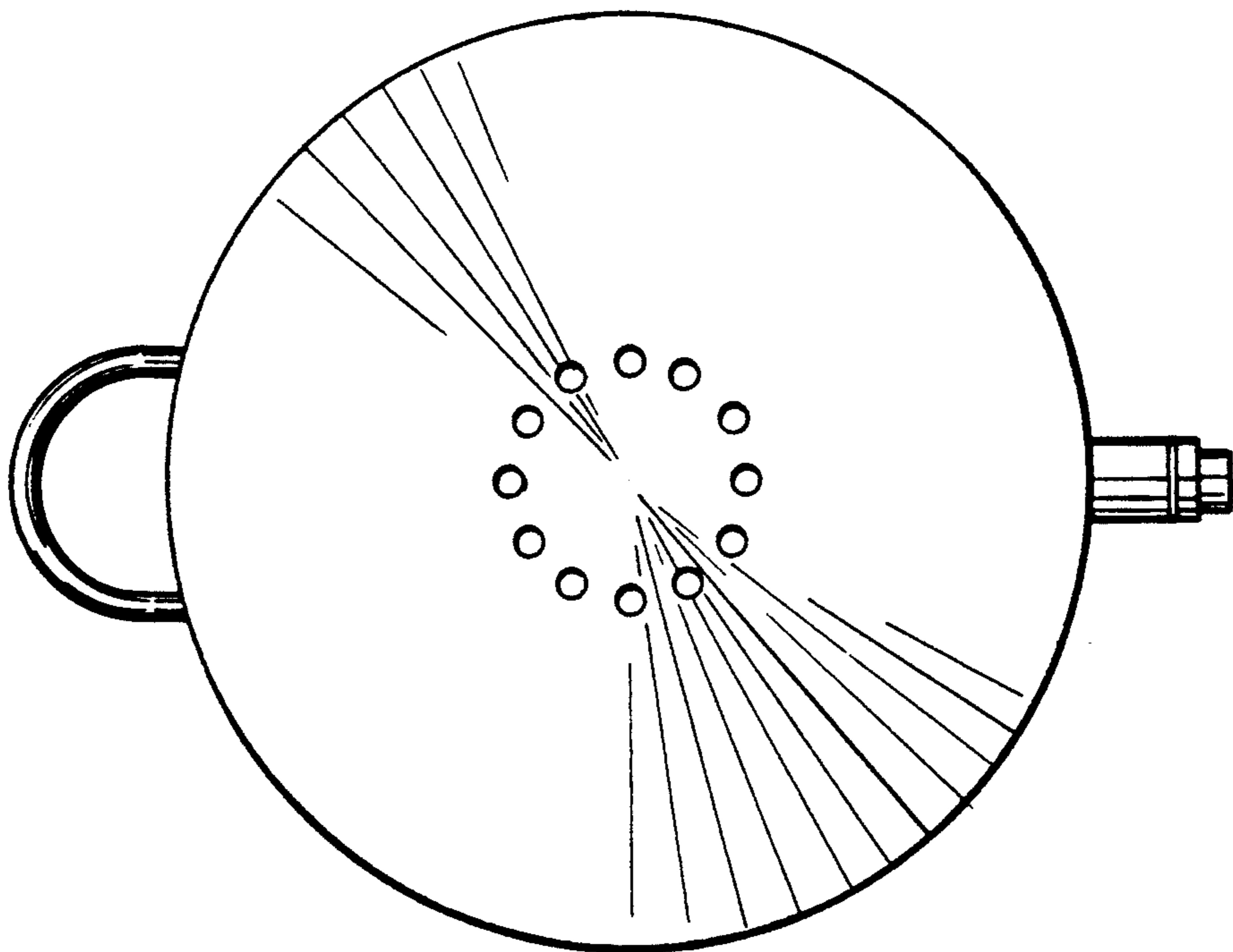
**FIG-3**



**FIG-4**



**FIG-5**



**FIG-6**