



US00D348936S

# United States Patent [19]

[11] Patent Number: **Des. 348,936**

Swick et al.

[45] Date of Patent: **\*\* Jul. 19, 1994**

## [54] SPA CONTROL PANEL

[75] Inventors: **Walter M. Swick**, Concord Township, Lake County; **Matthew A. Davis**, Mentor; **Robert J. Infante**, Garfield Heights, all of Ohio

[73] Assignee: **Tridelta Industries, Inc.**, Mentor, Ohio

[\*\*] Term: **14 Years**

[21] Appl. No.: **948,739**

[22] Filed: **Sep. 14, 1992**

[52] U.S. Cl. .... **D24/201**

[58] Field of Search ..... **4/541.1-541.6, 4/524, 538; D7/406; D24/200-205; D13/162, 164, 171; D10/122; D14/106, 114, 115, 257; D18/41; D20/11**

## [56] References Cited

### U.S. PATENT DOCUMENTS

- D. 295,785 5/1988 Gordon ..... D24/201
- 4,420,846 12/1983 Bonner ..... 4/542
- 4,844,333 7/1989 Davis et al. .

## OTHER PUBLICATIONS

Spa & Sauna Trade Journal, vol. 8 #3, Mar. 1983, p. 87.  
Spa & Sauna Trade Journal, Mar. 1987, p. 40.

*Primary Examiner*—Stella Reid

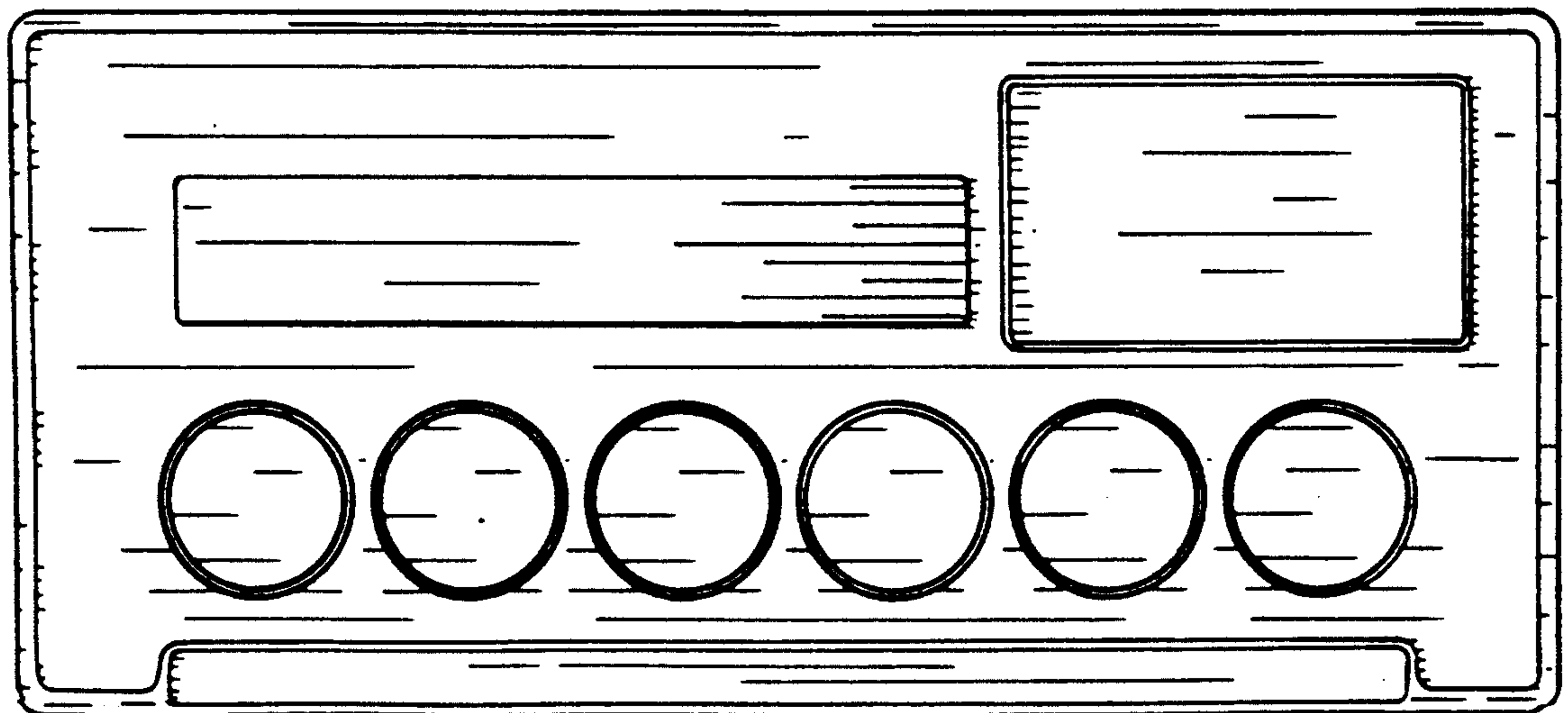
*Attorney, Agent, or Firm*—D. Peter Hochberg; Mark Kusner; Michael Jaffe

## [57] CLAIM

The ornamental design for a spa control panel, as shown and described.

## DESCRIPTION

FIG. 1 is a top, plan view of a spa control panel showing our design;  
FIG. 2 is a front elevational view thereof;  
FIG. 3 is a back elevational view thereof;  
FIG. 4 is a bottom view thereof;  
FIG. 5 is a left side elevational view thereof;  
FIG. 6 is a right side elevational view thereof; and,  
FIG. 7 is a front elevational view of an alternate embodiment of the spa control panel shown in FIGS. 1-6, the other views of this alternate embodiment being the same as shown in FIGS. 1, and 3-6.



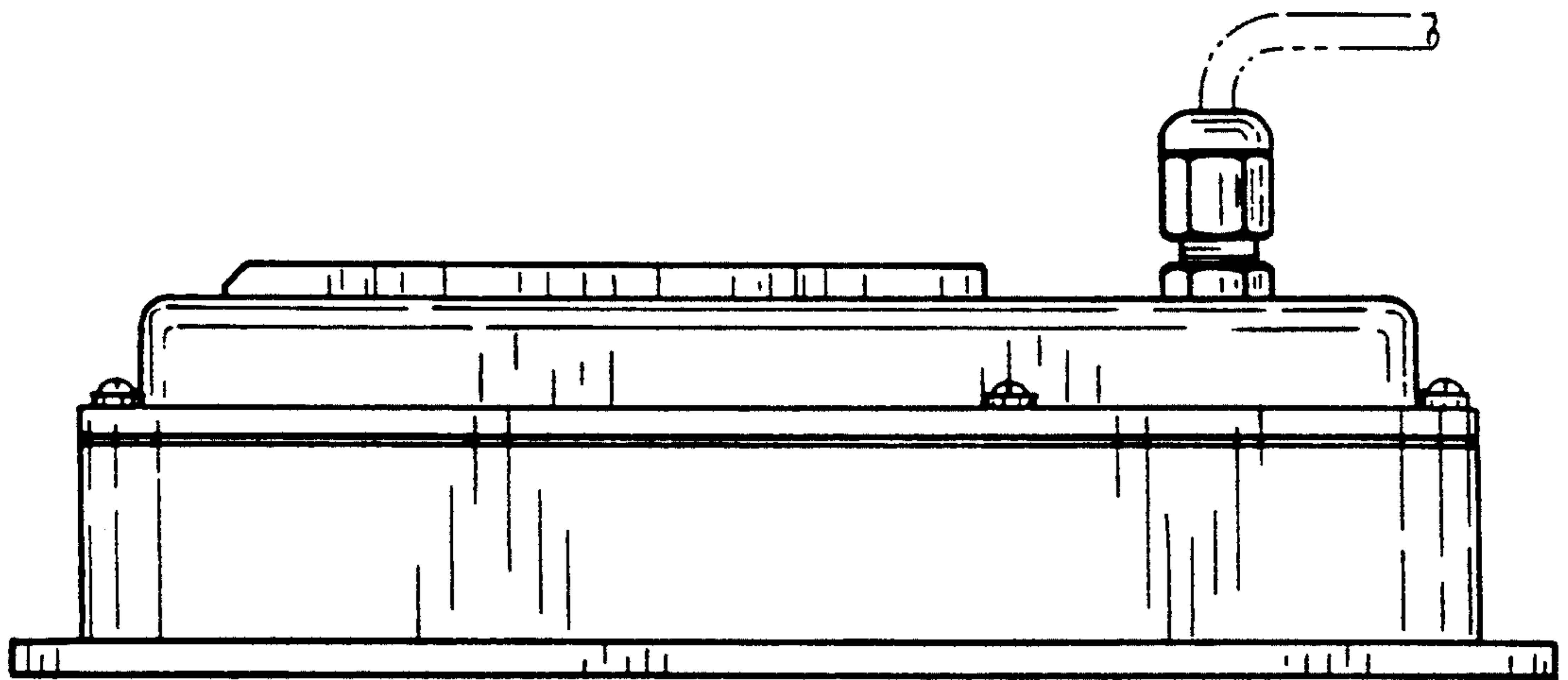


FIG. 1

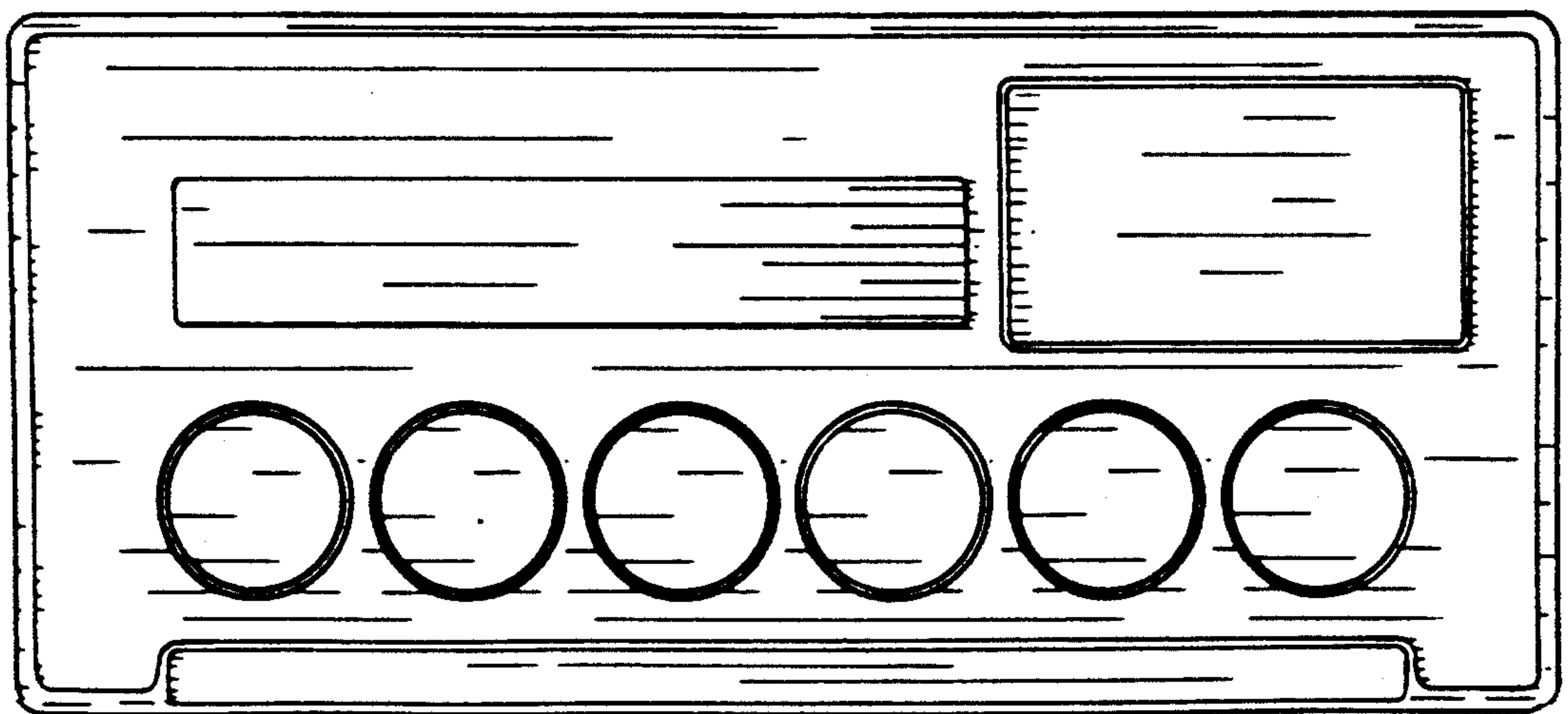


FIG. 2

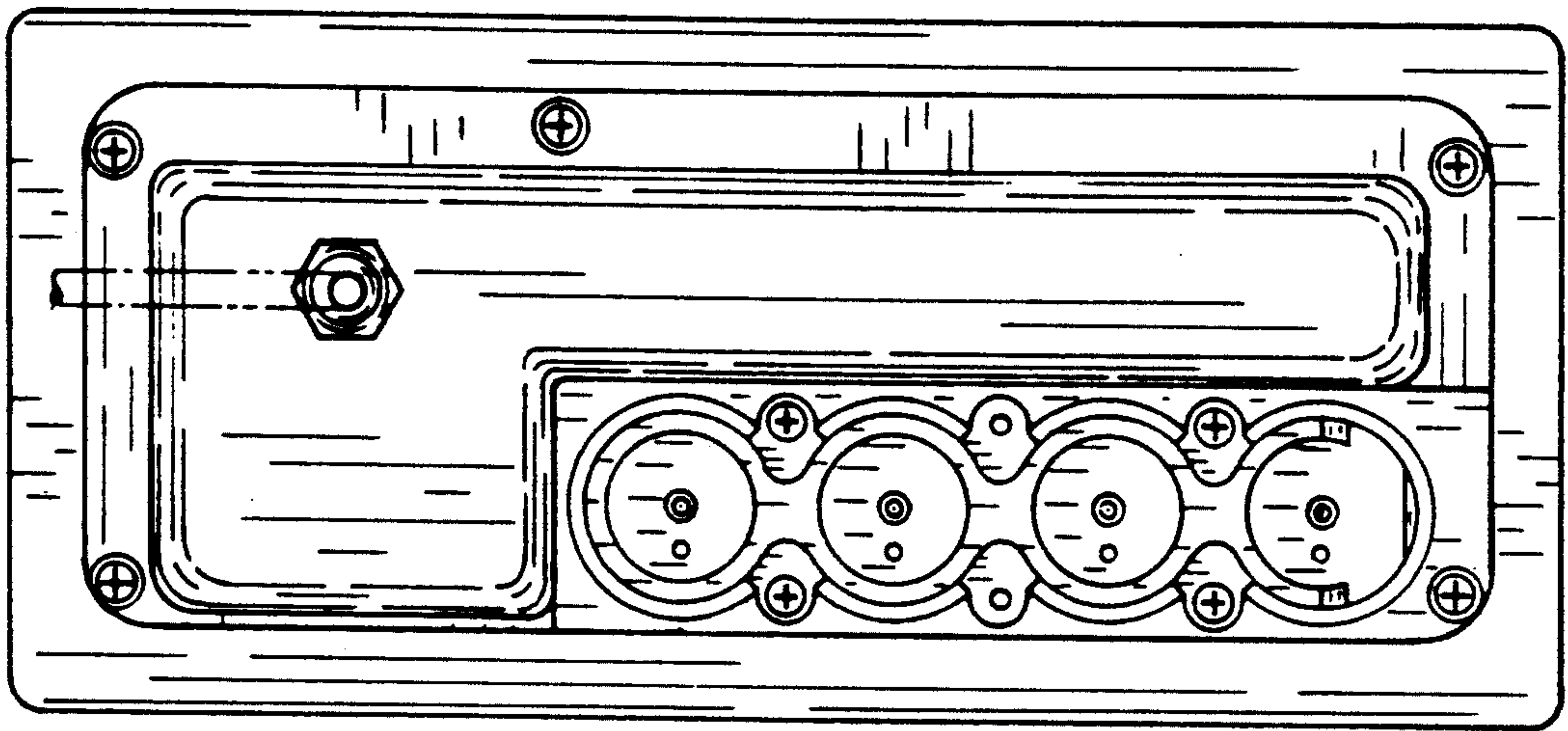


FIG. 3

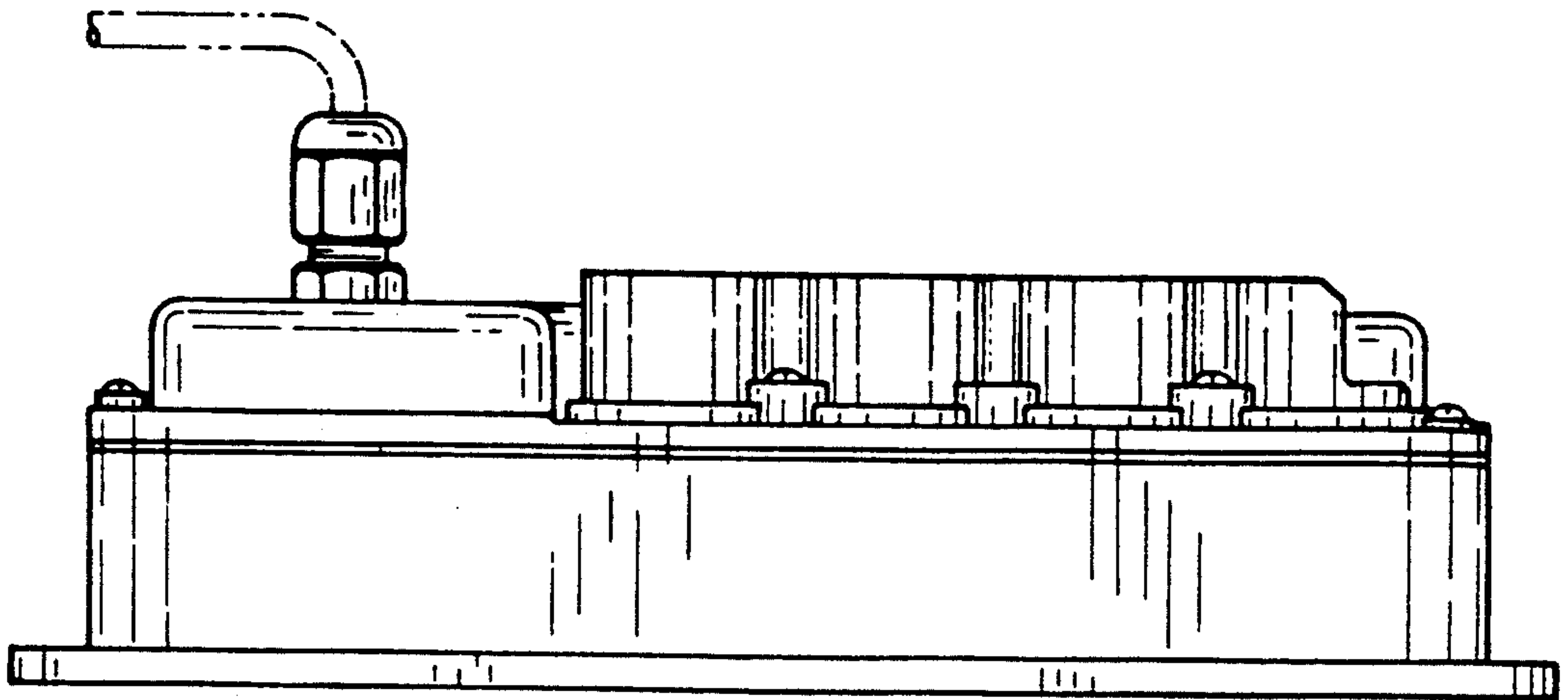


FIG. 4

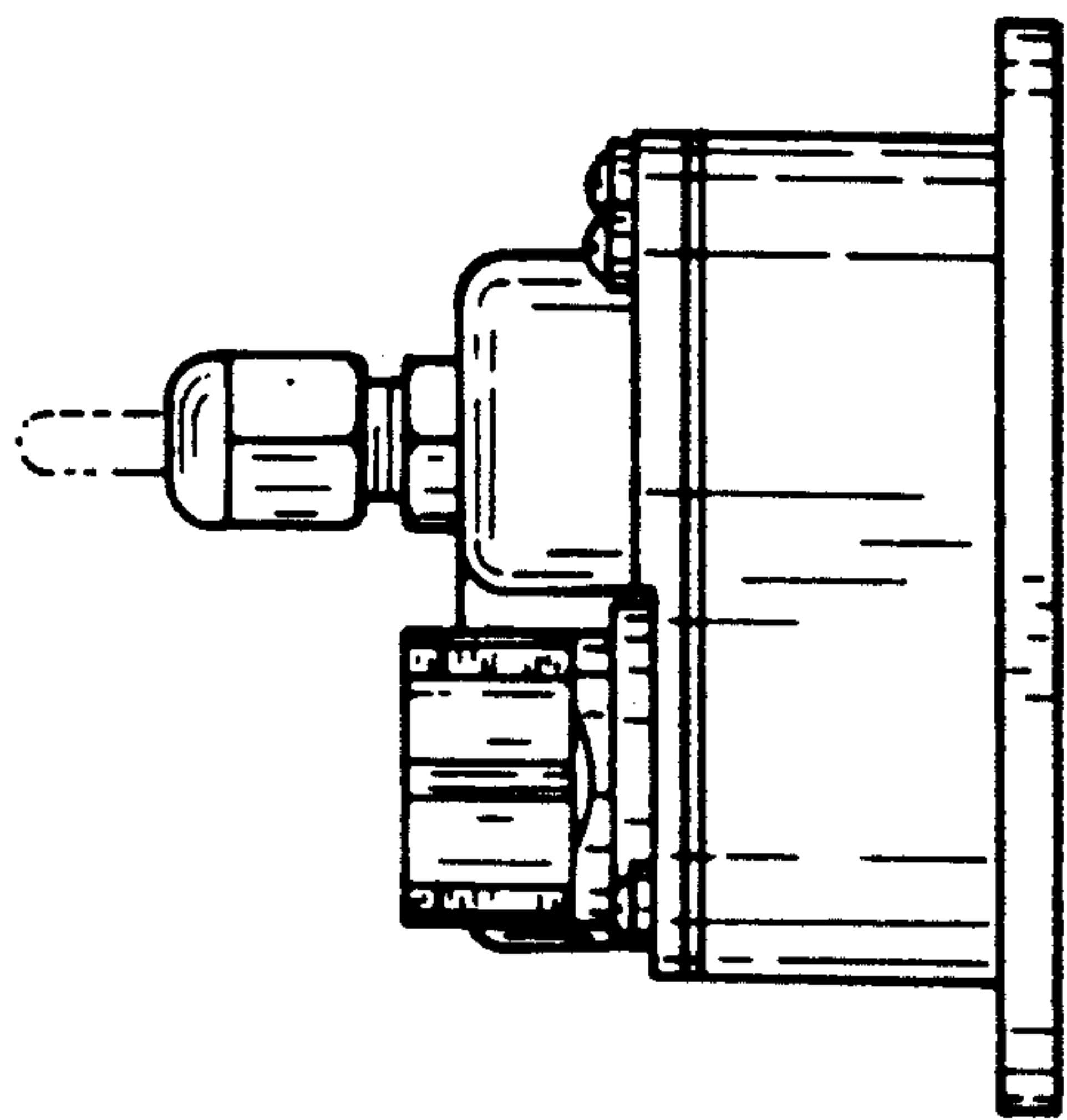


FIG. 5

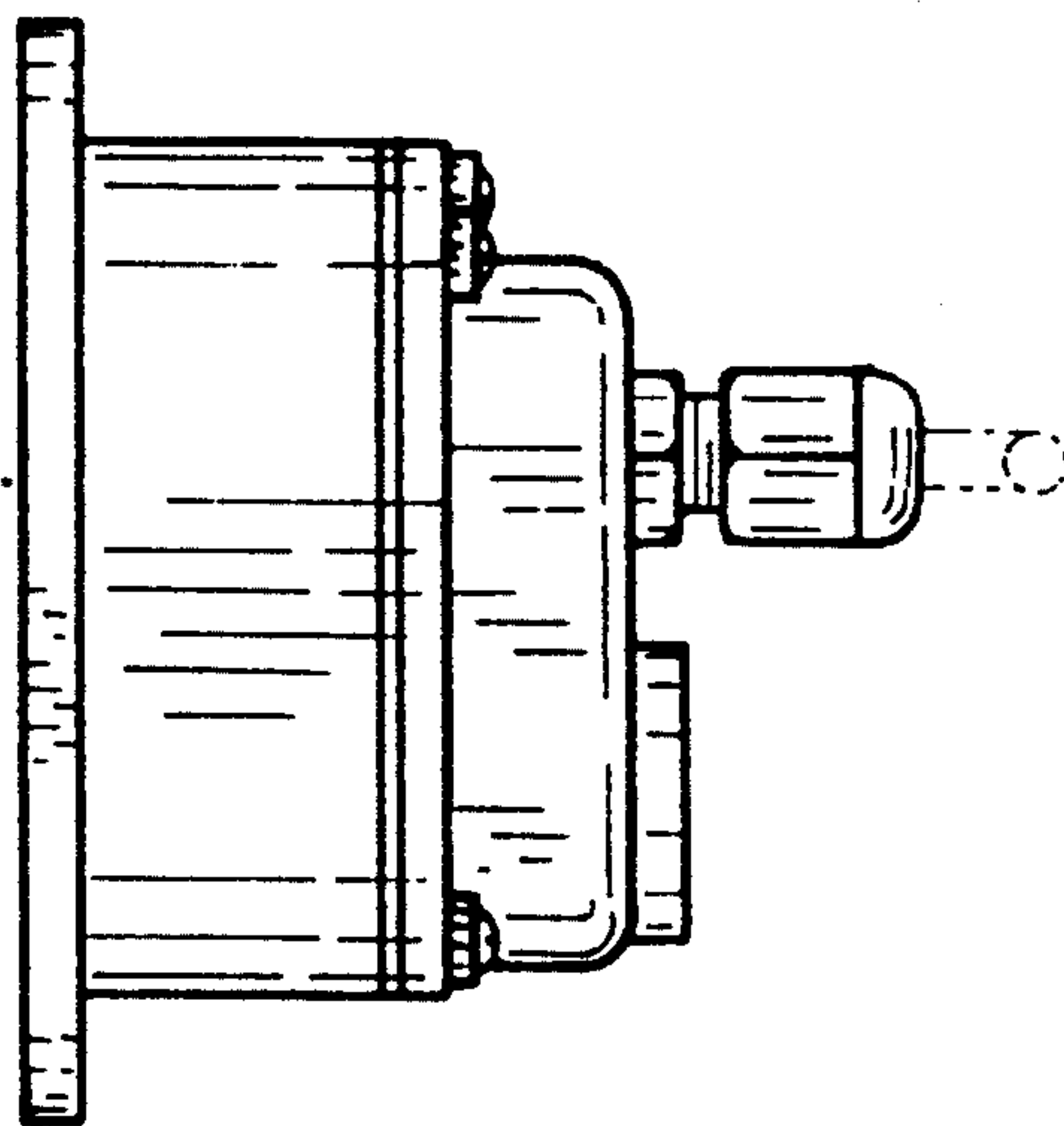


FIG. 6

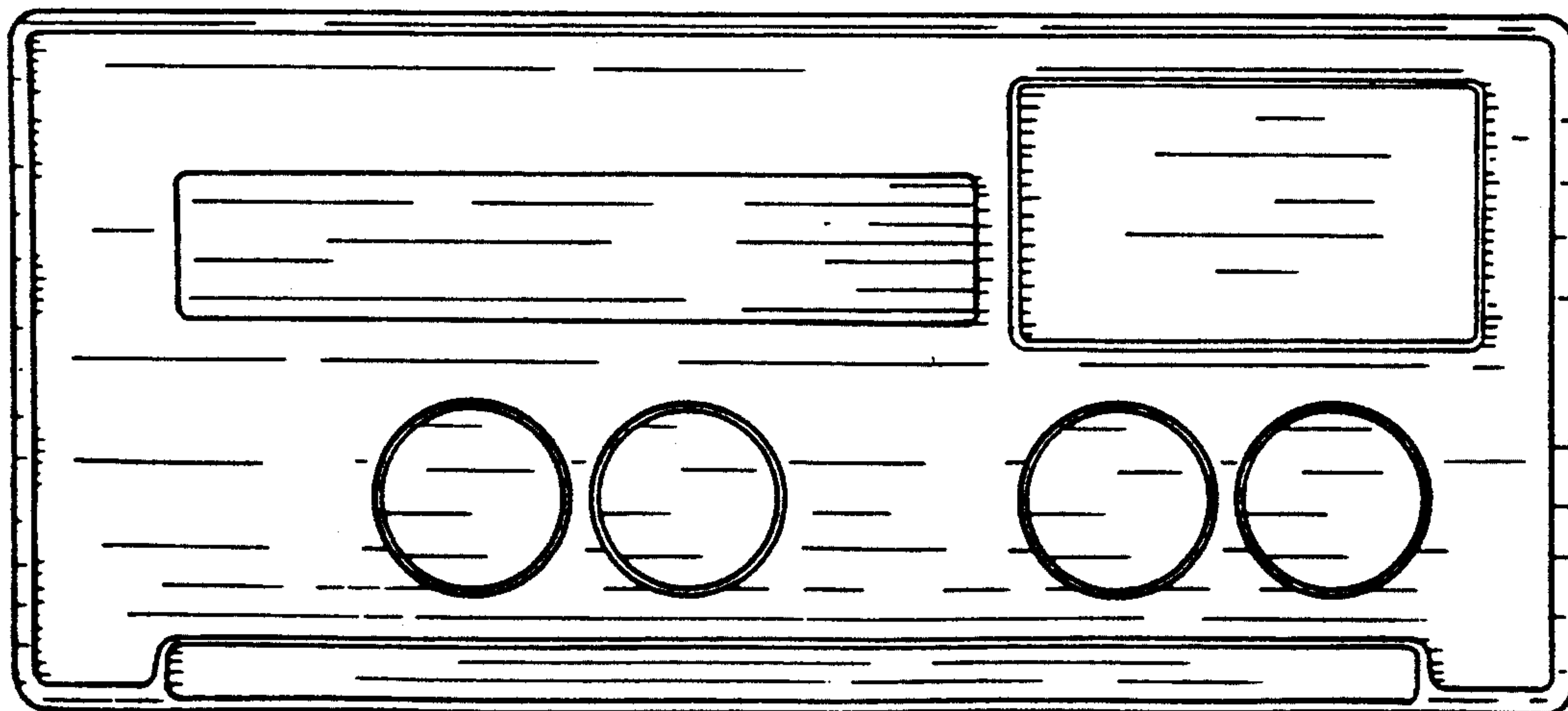


FIG. 7