



US00D348933S

# United States Patent [19]

[11] Patent Number: Des. 348,933

Nordstrom et al.

[45] Date of Patent: \*\* Jul. 19, 1994

[54] CUSPIDOR

[75] Inventors: Carl G. Nordstrom, Lake Oswego; William F. Fisher, Beaver Creek, both of Oreg.

[73] Assignee: A-Dec, Inc., Newberg, Oreg.

[\*\*] Term: 14 Years

[21] Appl. No.: 4,347

[22] Filed: Feb. 2, 1993

[52] U.S. Cl. .... D24/177

[58] Field of Search ..... 433/97; 4/619, 650-651, 4/645, 630-631; D24/176-182; D23/284, 292, 308

## [56] References Cited

### U.S. PATENT DOCUMENTS

D. 75,044	5/1928	Pieper .....	D24/177
D. 167,252	7/1952	Bronk et al. ....	D24/177
D. 208,304	8/1967	Krantz .....	D24/177
D. 258,007	1/1981	Schmidt .	
D. 277,503	2/1985	Truette et al. ....	D24/177
D. 319,493	8/1991	Edmondson .....	D23/284
2,098,732	11/1937	Prather .	
3,229,368	1/1966	Tocchini .	
3,359,575	12/1967	Nielsen .....	433/97 X
3,400,412	9/1968	Turner .	
3,650,033	3/1972	Behne et al. .	
3,718,974	3/1973	Buchtel et al. .	
3,771,226	11/1973	Lieb et al. .	
4,165,546	8/1979	Philipson et al. .	
4,307,475	12/1981	Schmidt .	

### OTHER PUBLICATIONS

A-Dec "Century" two-page brochure circa Jan. 1978.  
 Takara Belmont 50-page Japanese language dental equipment catalog, cover and pp. 9-25, circa Jan. 1991.  
 Anthos "Teseo" six-page brochure circa Jan. 1992.  
 A-Dec 117-page equipment catalog, cover and pp. 31-38, Jan. 1991.  
 Signo "Grand" 19-page Japanese language brochure, cover, pp. 6, 17, circa Jan. 1991.  
 KaVo "Estetica® 1042 Ein Wichtiger Schritt in die Zukunft" German language 13-page brochure, pp. 1, 3, 10, circa Jan. 1991.

A-Dec 121-page catalog, cover and pp. 33-40, circa Sep. 1991.

A-Dec "J-Dec" two-page Japanese language brochure circa Jan. 1991.

Pelton and Crane one-page brochure circa Jan. 1991.

Robin Dental Company 40-page catalog, cover and p. 9, Feb. 1985.

Marus Dental Equipment 15-page catalog, cover and p. 11, Mar. 1982.

Weber Dental Criterion-300, cover page only, Apr. 16, 1973.

Osada "FX Series" 31-page Japanese language brochure, cover and pp. 1, 17, 28, circa Jan. 1991.

A-Dec two-page compilation of holder devices: 1969, 1974, 1976, 1980, 1987, 1991, circa Jan. 1991.

Dentech 32-page catalog, cover and pp. 2-18, circa Jan. 1991.

(List continued on next page.)

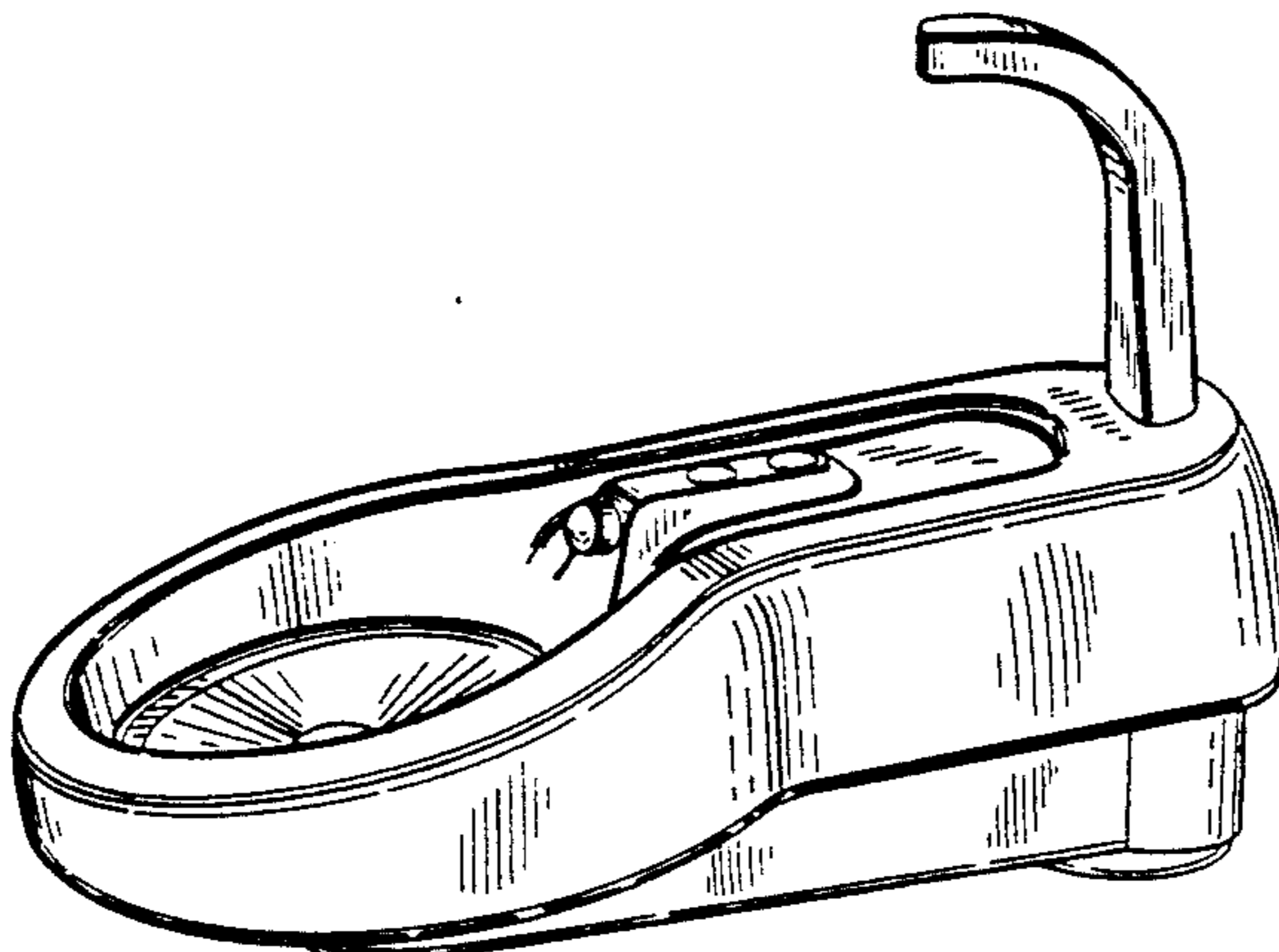
*Primary Examiner*—Wallace R. Burke  
*Assistant Examiner*—M. H. Tung  
*Attorney, Agent, or Firm*—Klarquist Sparkman  
 Campbell Leigh & Whinston

## [57] CLAIM

The ornamental design for a cuspidor, as shown and described.

## DESCRIPTION

FIG. 1 is a right-front perspective view of a cuspidor showing our new design;  
 FIG. 2 is a left side elevational view, the right side elevational view being the mirror image thereof;  
 FIG. 3 is a top plan view;  
 FIG. 4 is a bottom plan view;  
 FIG. 5 is a front elevational view; and,  
 FIG. 6 is a rear elevational view.



OTHER PUBLICATIONS

Ampco Dental Products four-page brochure, cover page, circa Jan. 1991.

Engle "ME-2" two-page brochure circa Jan. 1991.

Pelton & Crane "Spirit" two-page brochure Jan. 1984.

Takara Belmont 36-page Japanese language brochure, cover and pp. 3, 16-22, circa Jan. 1991.

Siemens 27-page catalog, cover and pp. 2-3, 6-7, 17, Feb. 1991.

KaVo "Systematica® 1060" four-page French language brochure, circa Jan. 1991.

J. Morita Corporation "Surpass" 21-page Japanese language brochure, cover and pp. 7-8, 15, 18, circa Jan. 1991.

Belmont "SP-Six" ten-page brochure, pp. 7, 10, Aug., 1985.

S-T Products "Performers" six-page brochure, Jul. 1983.

Elan 2000 III 20-page Japanese language catalog, cover and pp. 13, 19, circa Jan. 1991.

Dentrex "Delivery System" four-page brochure circa Jan. 1991.

FIG. 1

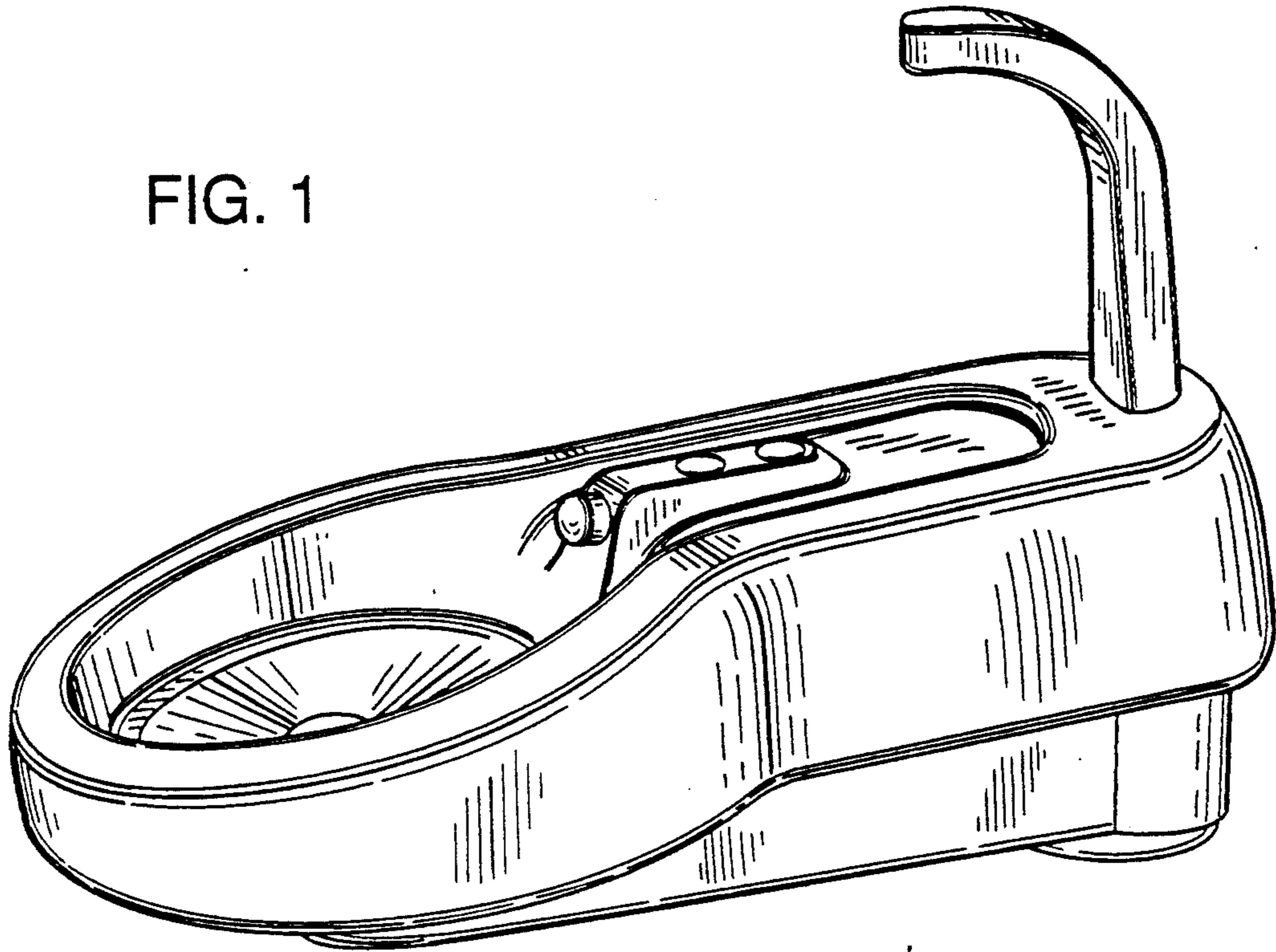


FIG. 2

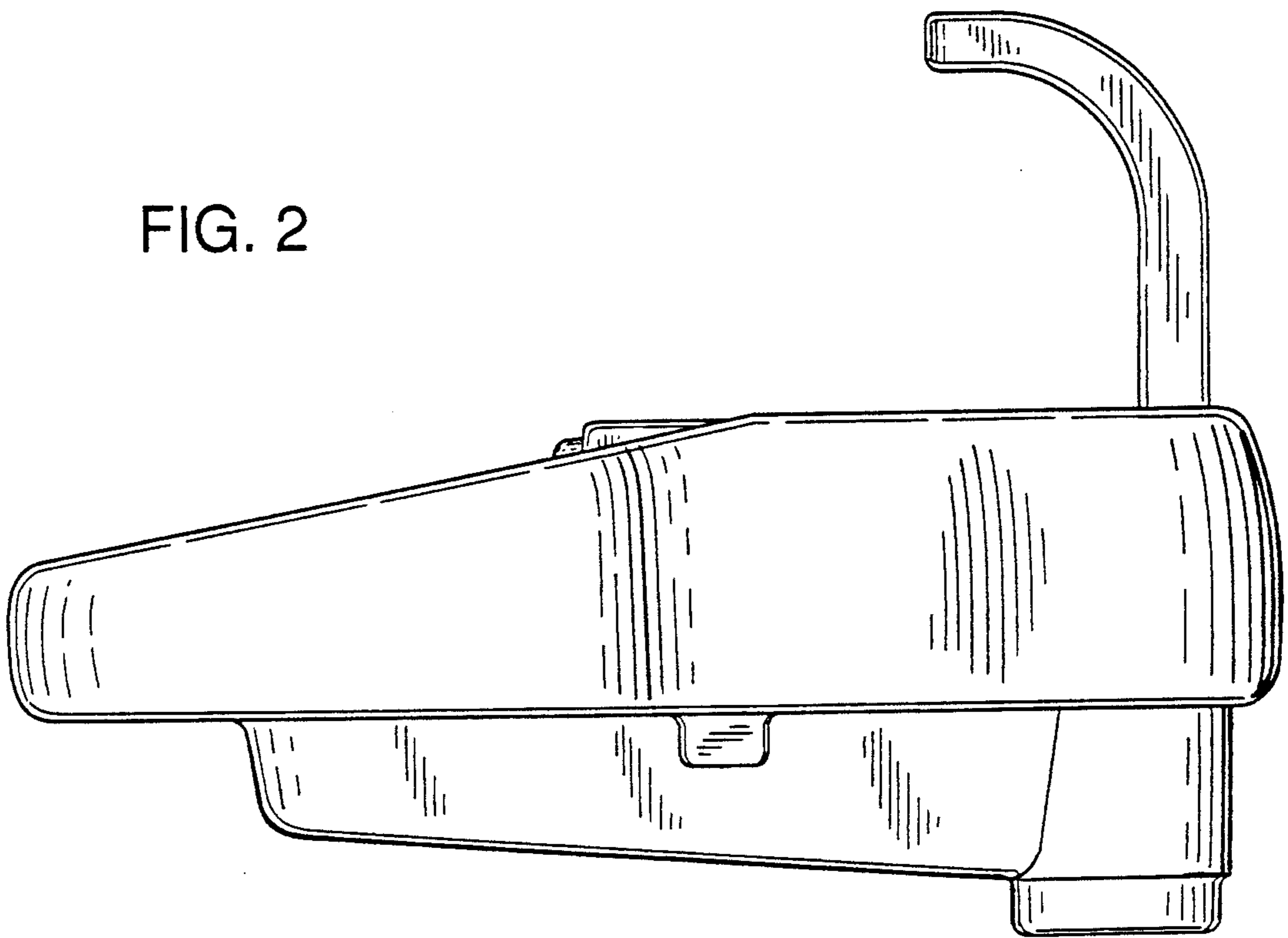




FIG. 3

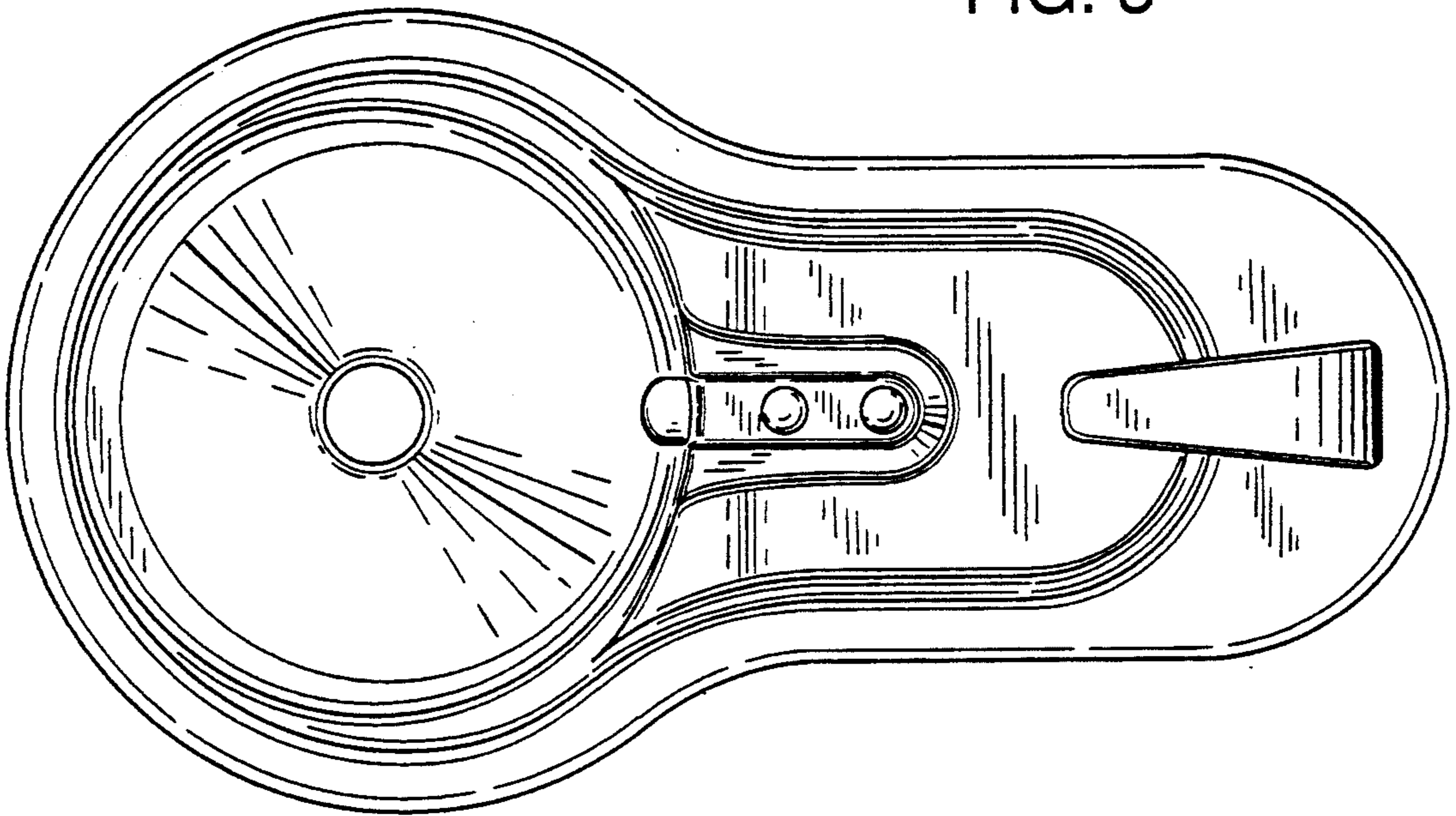


FIG. 4

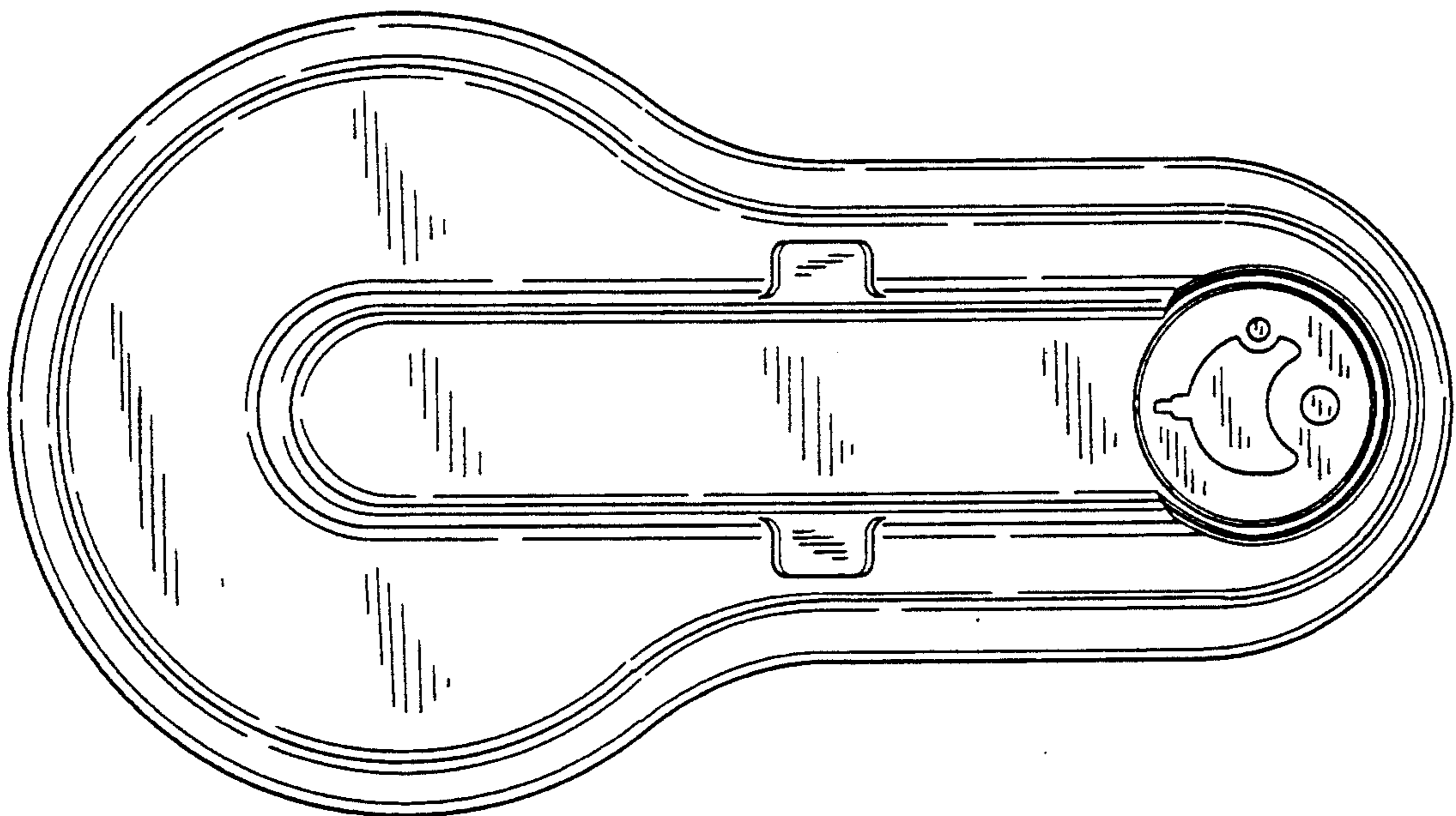


FIG. 5

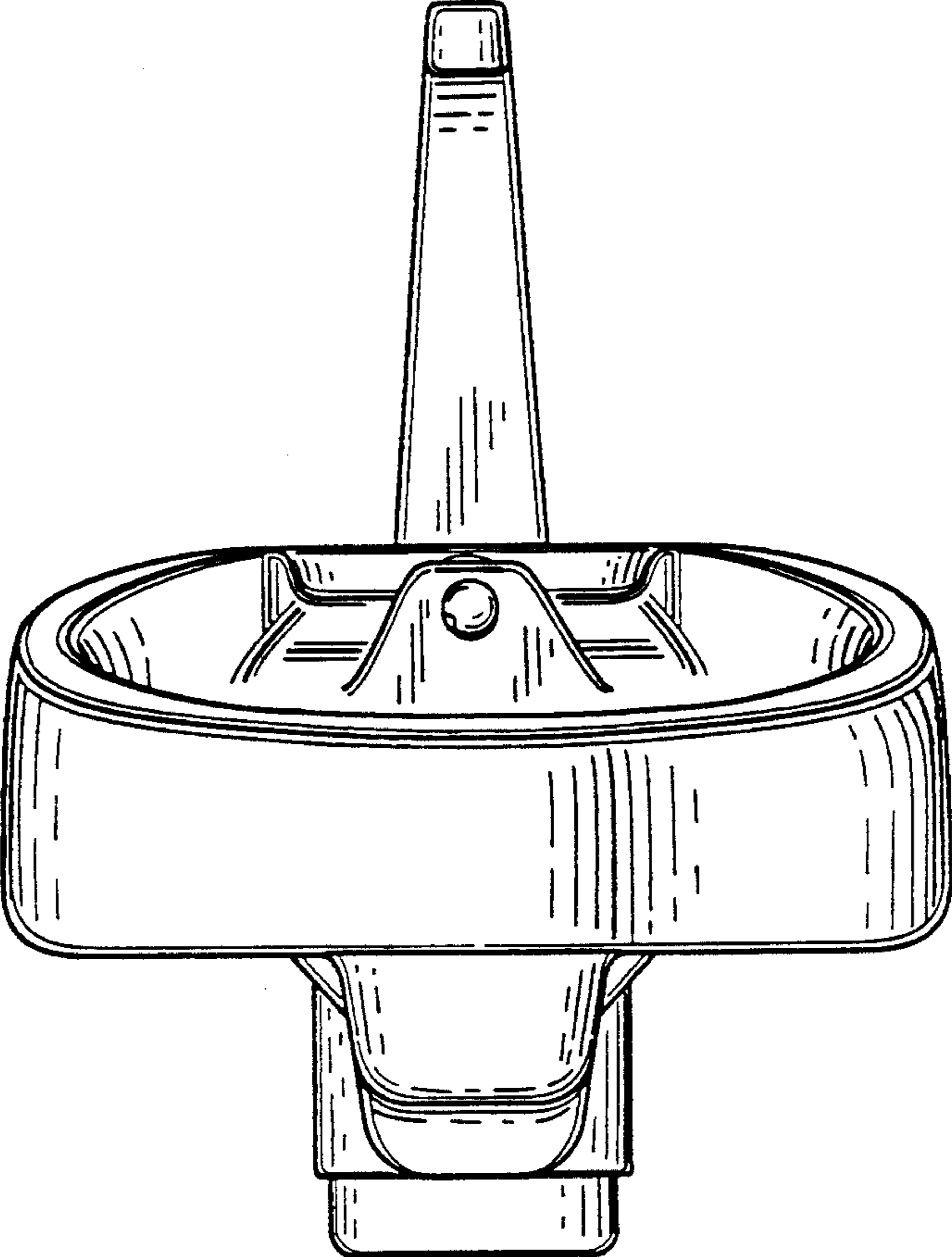


FIG. 6

