



US00D348932S

United States Patent [19]

[11] Patent Number: **Des. 348,932**

Jackson

[45] Date of Patent: **** Jul. 19, 1994**

[54] **COMBINED BITE BLOCK AND CUSPS**

[75] Inventor: **Frank W. Jackson**, Mechanicsburg, Pa.

[73] Assignee: **Chek-Med Systems, Inc.**, Wormleysburg, Pa.

[**] Term: **14 Years**

[21] Appl. No.: **1,724**

[22] Filed: **Nov. 23, 1992**

[52] U.S. Cl. **D24/176; D24/191**

[58] Field of Search 128/200.26, 200.24, 128/848, 207.14; 433/140, 229, 93; D24/176-182

4,466,434 8/1984 Brownstein 128/207

4,495,945 1/1985 Liegner 128/200.26

4,640,273 2/1987 Greene et al. 128/136

4,676,240 6/1987 Gardy 128/207

4,817,598 4/1989 LaBombard 128/207.14

4,850,371 7/1989 Broadhurst et al. 128/719

5,062,422 11/1991 Kinkade 128/200.26 X

5,174,284 12/1992 Jackson 128/200.26

FOREIGN PATENT DOCUMENTS

9003199 4/1990 PCT Int'l Appl. 128/200.26

Primary Examiner—Wallace R. Burke
Assistant Examiner—M. H. Tung
Attorney, Agent, or Firm—Eugene Chovanes

[57] CLAIM

The ornamental design for a combined bite block and cusps, as shown and described.

DESCRIPTION

FIG. 1 is a front elevational view of a combined bite block and cusps showing my new design;

FIG. 2 is a top plan view of a combined bite block and cusps shown in FIG. 1. The bottom plan view is identical;

FIG. 3 is a side elevational view of the combined bite block and from the right-hand side of FIG. 1. The left-hand side is a mirror image;

FIG. 4 is a rear elevational view of a combined bite block and cusps shown in FIGS. 1-3;

FIG. 5 is a cross-sectional view thereof, taken on the line 5-5 of FIG. 4; and,

FIG. 6 is an isometric view of a combined bite block and cusps shown in FIGS. 1-5.

[56] **References Cited**
U.S. PATENT DOCUMENTS

D. 283,158 3/1986 Jackson D24/29

D. 303,585 9/1989 White et al. D29/7

D. 329,901 9/1992 Jackson D24/176

1,674,336 6/1928 King 128/848

2,693,182 11/1954 Phillips 128/208

2,857,911 10/1958 Bennett 128/147

2,908,269 10/1959 Cheng 128/12

3,722,101 3/1973 Via, Jr. 433/140

3,774,616 11/1973 White et al. 128/351

3,946,742 3/1976 Eross 128/351

4,169,473 10/1979 Samelson 128/136

4,179,815 12/1925 Hoffman 433/140

4,223,671 9/1980 Muto 128/200.26

4,270,529 6/1981 Muto 128/200

4,326,515 4/1982 Shaffer et al. 128/207

4,329,984 5/1982 Kervin 128/207

4,425,911 1/1984 Luomanen et al. 128/200.26

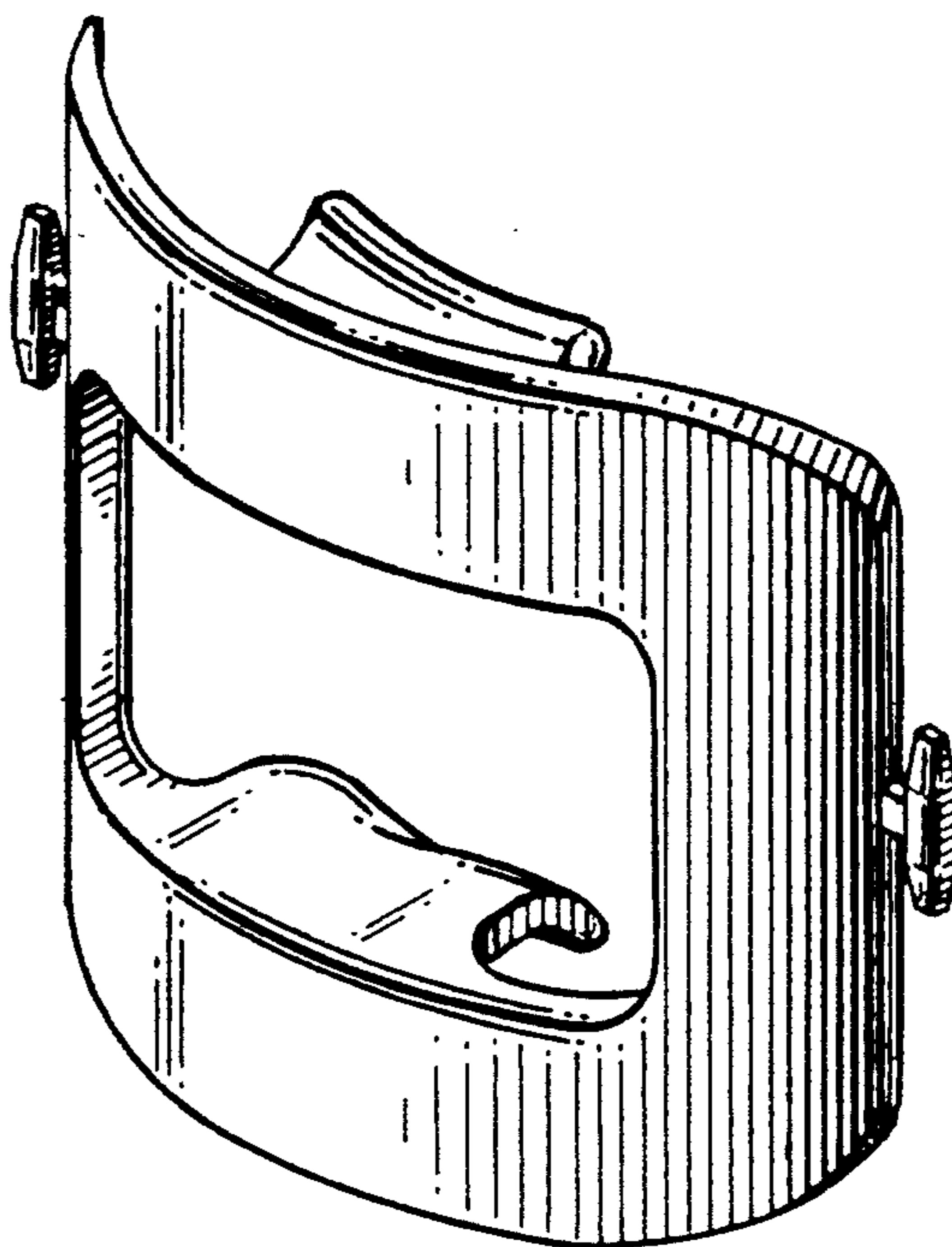


FIG. 2.

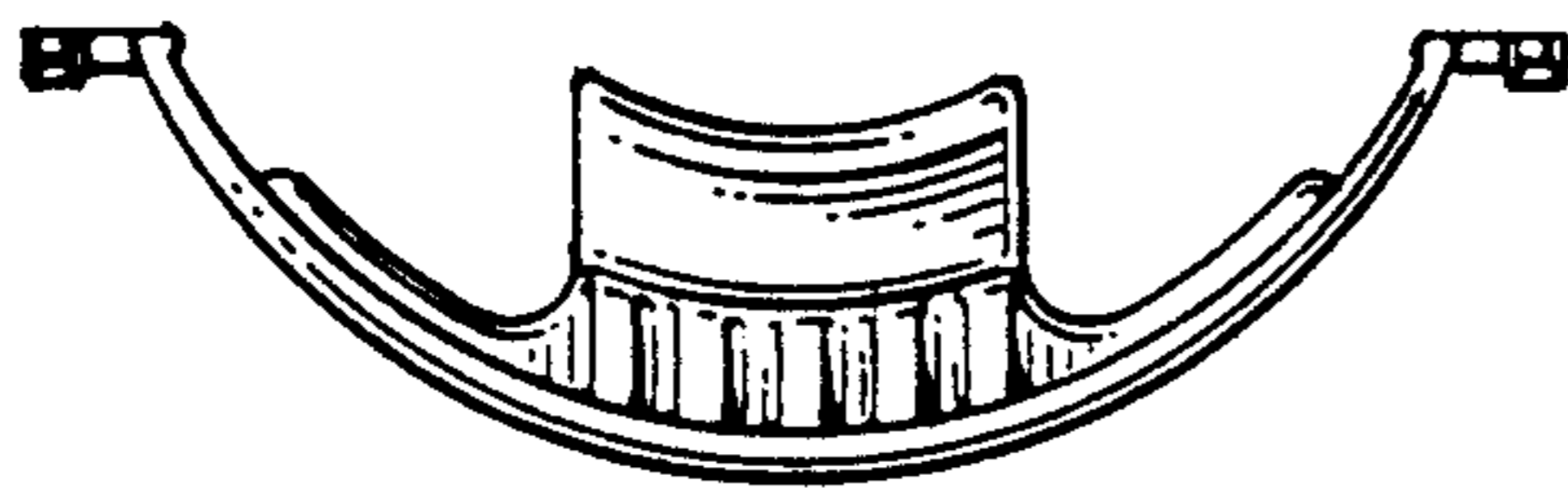


FIG. 6.

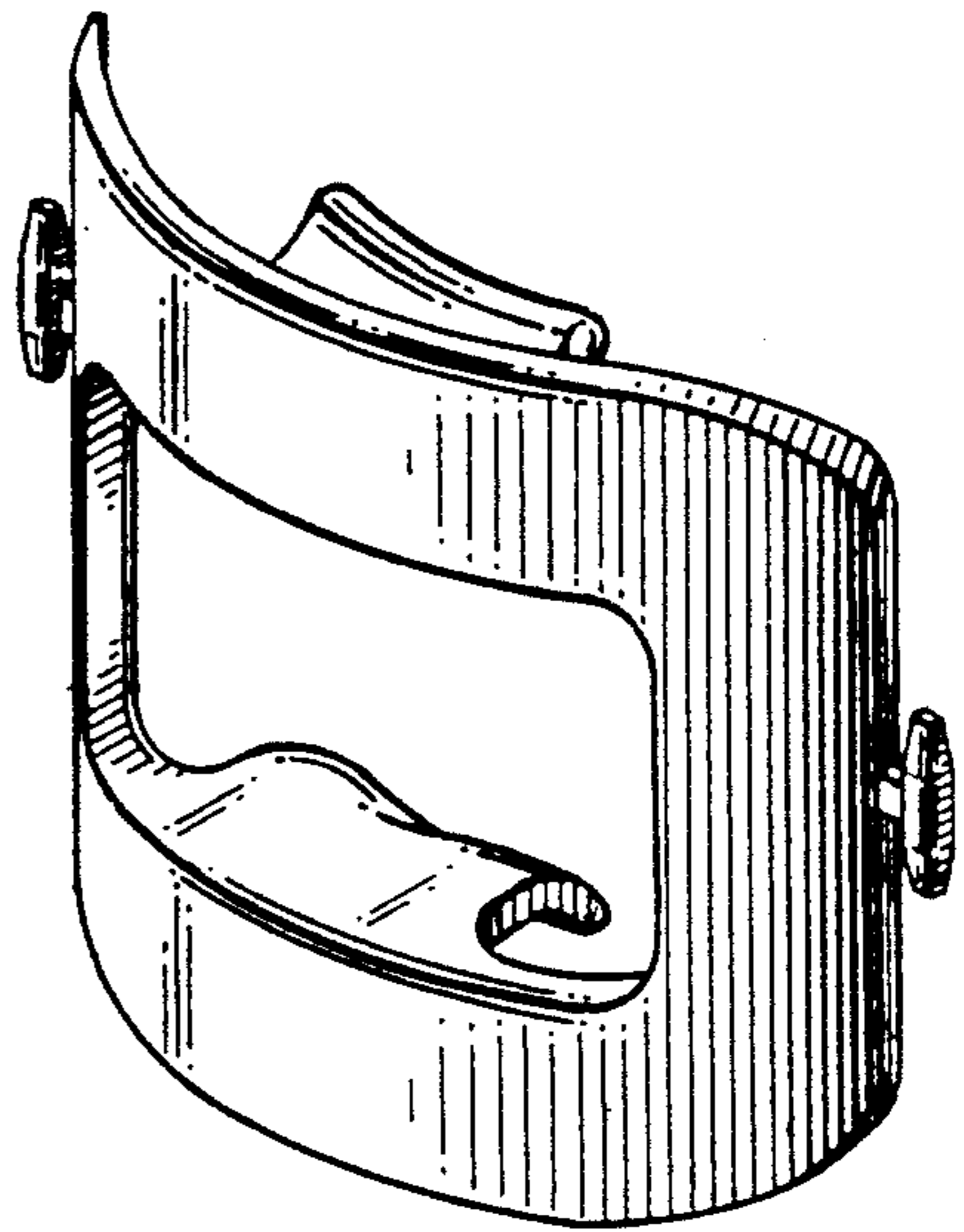


FIG. 1.

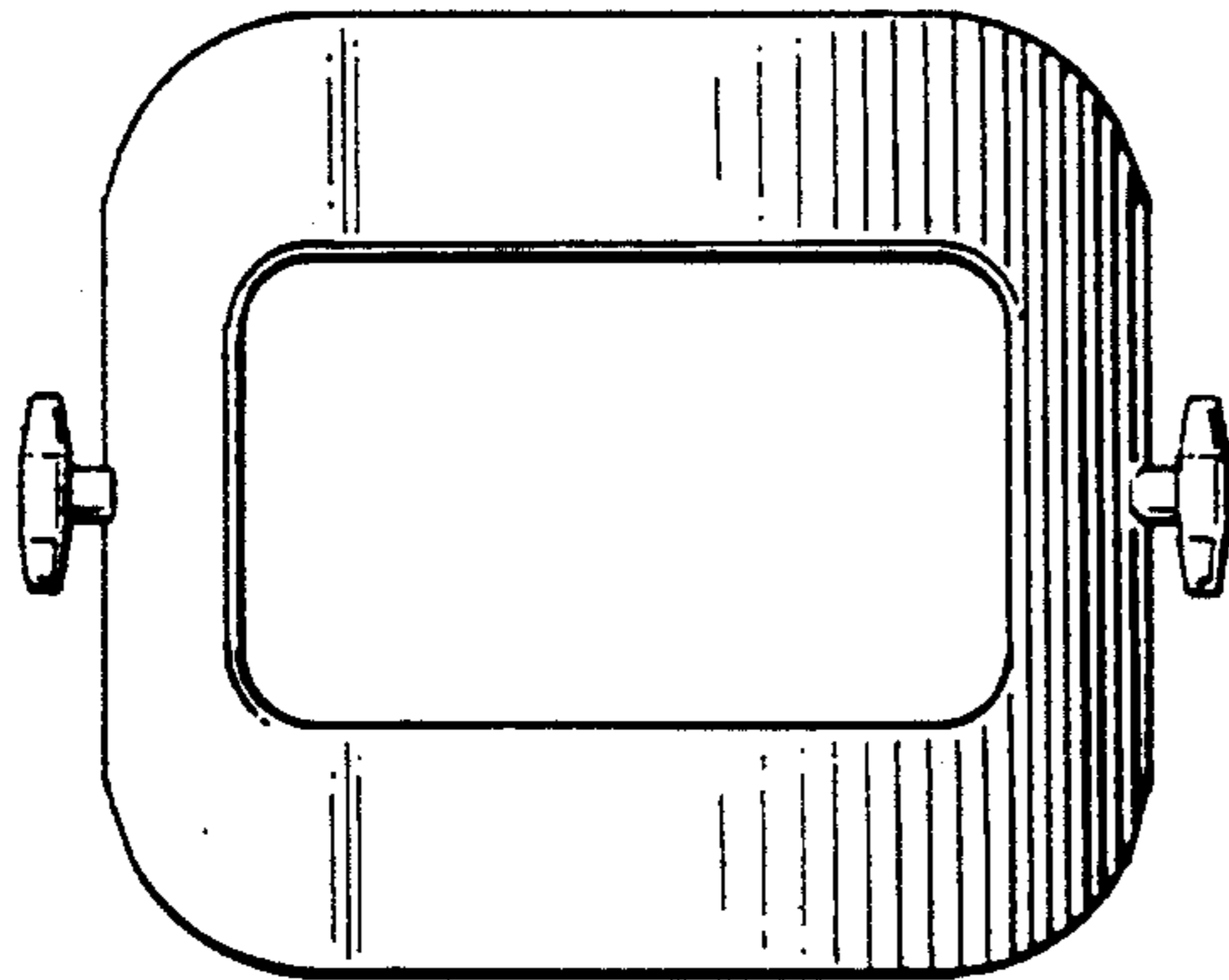


FIG. 3.

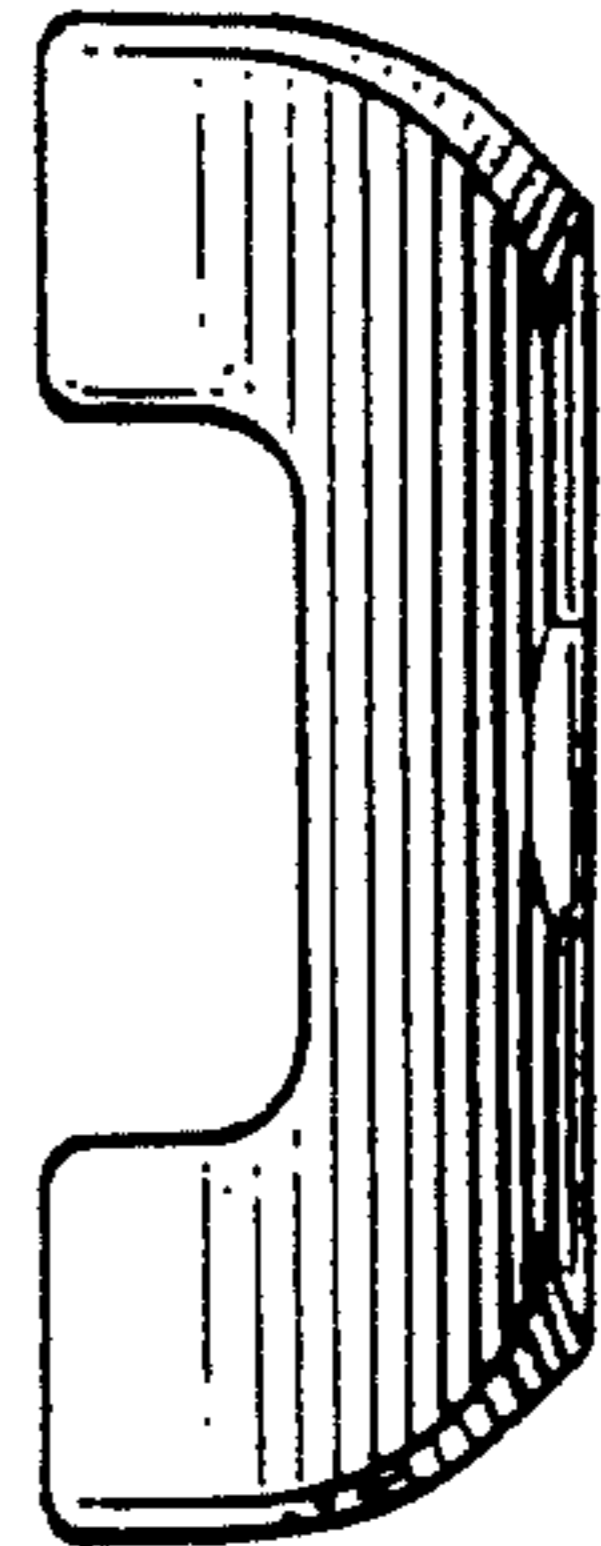


FIG. 4.

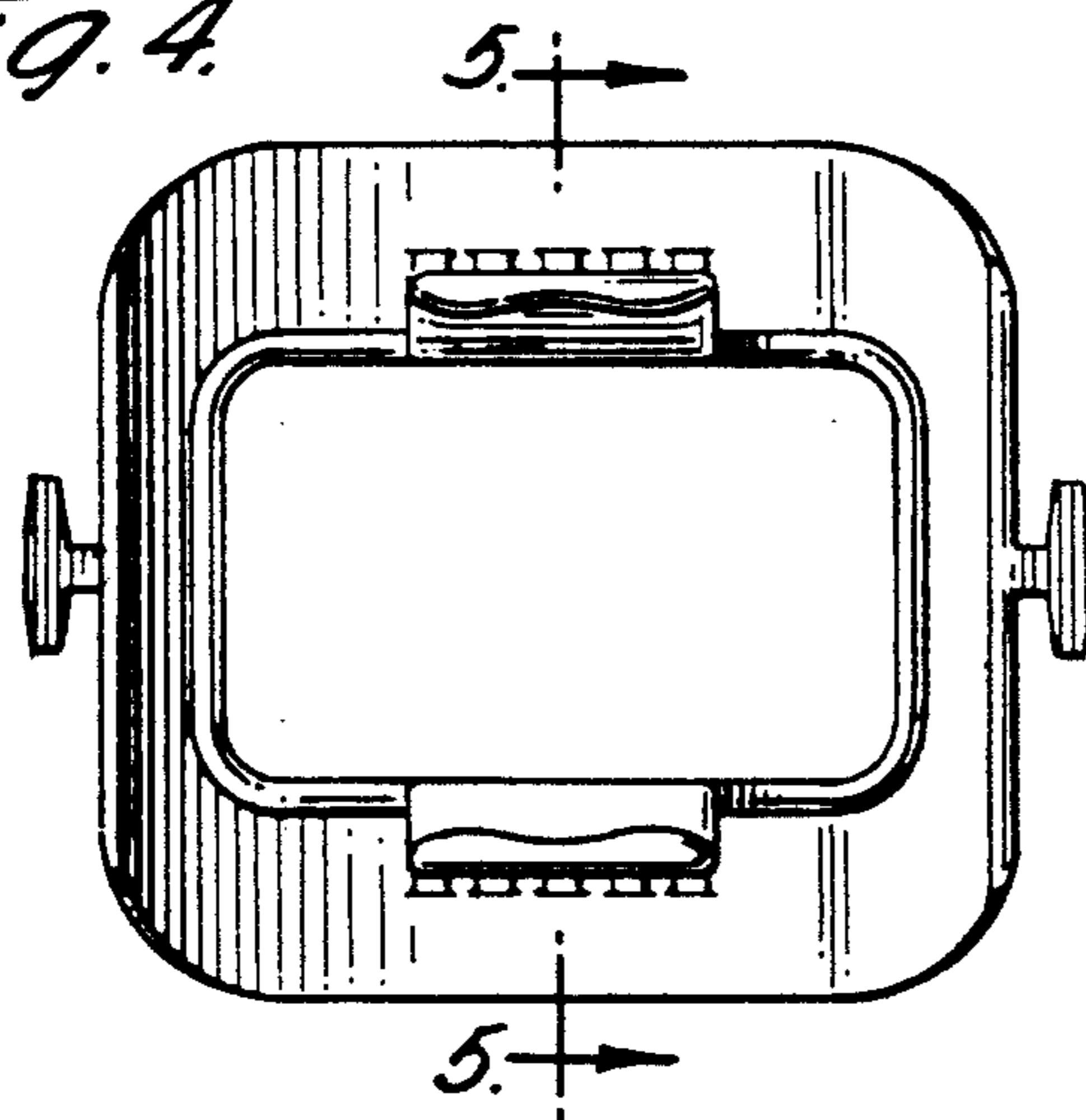


FIG. 5.

