



US00D348927S

United States Patent [19]

[11] Patent Number: **Des. 348,927**

Attolini

[45] Date of Patent: **** Jul. 19, 1994**

- [54] **PORTABLE INHALATOR**
- [75] Inventor: **Lorenzo Attolini, Parma, Italy**
- [73] Assignee: **Medel Italiana S.n.c. di Giancarlo Attolini & C., Italy**
- [**] Term: **14 Years**
- [21] Appl. No.: **792,058**
- [22] Filed: **Nov. 12, 1991**
- [30] **Foreign Application Priority Data**
 Oct. 3, 1991 [IT] Italy MI910-000718
- [52] U.S. Cl. **D24/110**
- [58] Field of Search 128/200.14, 204.21,
 128/205.25, 200.24, 204.18, 203.12, 203.29;
 604/67; D24/110

- 4,301,793 11/1981 Thompson 128/204.21
- 4,343,304 8/1982 Hickmann 128/200.14
- 4,949,715 8/1990 Brugger 128/200.14 X

Primary Examiner—A. Hugo Word
Assistant Examiner—I. Simmons
Attorney, Agent, or Firm—Kirschstein

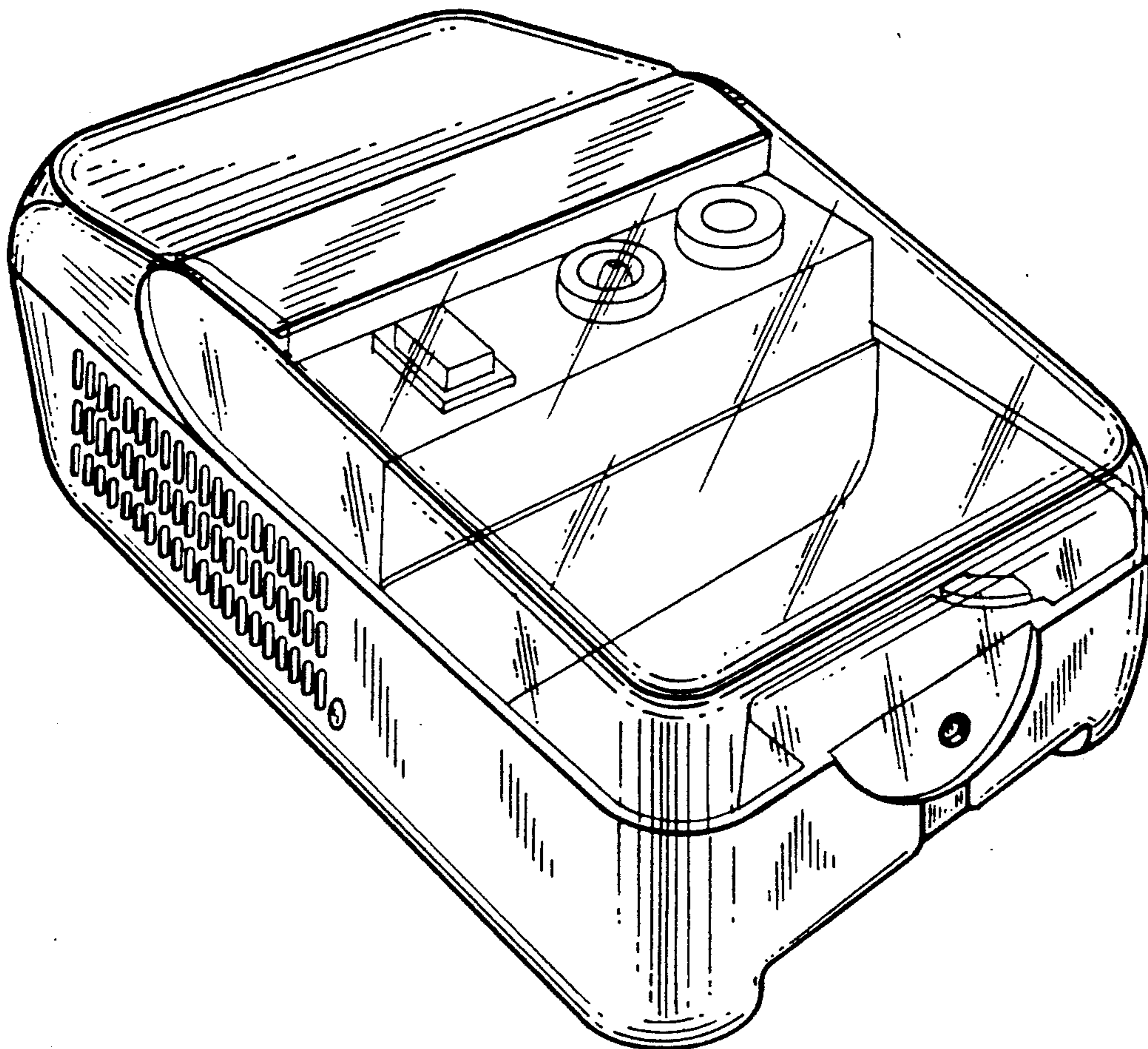
[57] CLAIM

The ornamental design for a portable inhalator, as shown and described.

DESCRIPTION

FIG. 1 is a top, front and perspective view of a portable inhalator according to my design;
 FIG. 2 is a top, front and perspective view thereof with an opened cover;
 FIG. 3 is a side elevational view thereof the opposite side elevational view being a mirror image thereto, the broken line showing is for illustrative purposes only and forms no part of the claimed design;
 FIG. 4 is a side elevational view thereof with the cover partially closed;
 FIG. 5 is a front elevational view thereof; and,
 FIG. 6 is a back elevational view thereof.
 The bottom plan view is plain and unornamented.

- [56] **References Cited**
U.S. PATENT DOCUMENTS
 3,221,733 12/1965 Beasley 128/200.14
 3,613,677 12/1964 Blasko 128/204.21
 4,244,361 1/1981 Neubert 128/200.14
 4,257,415 3/1981 Rubin 128/204.21 X



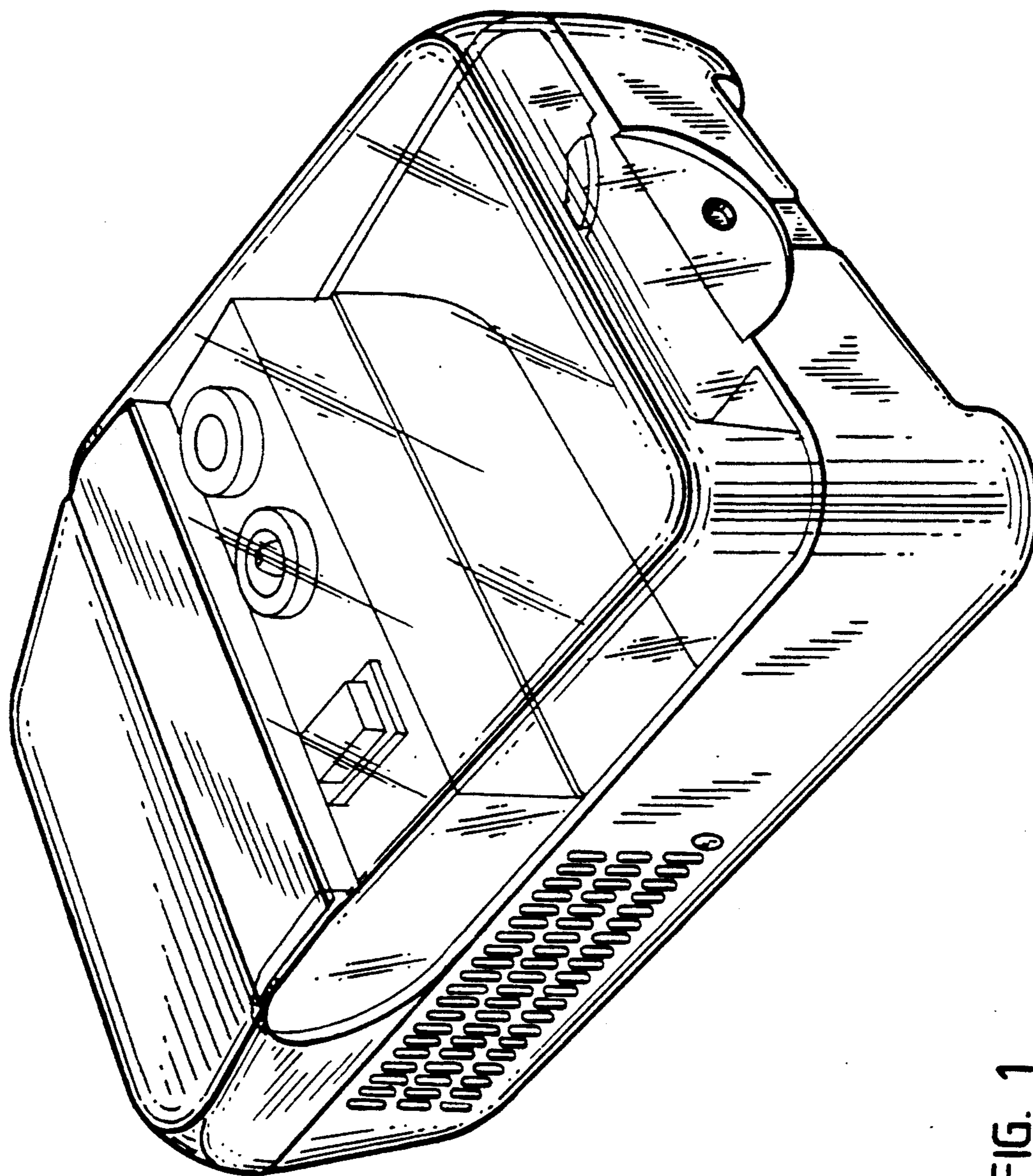


FIG. 1

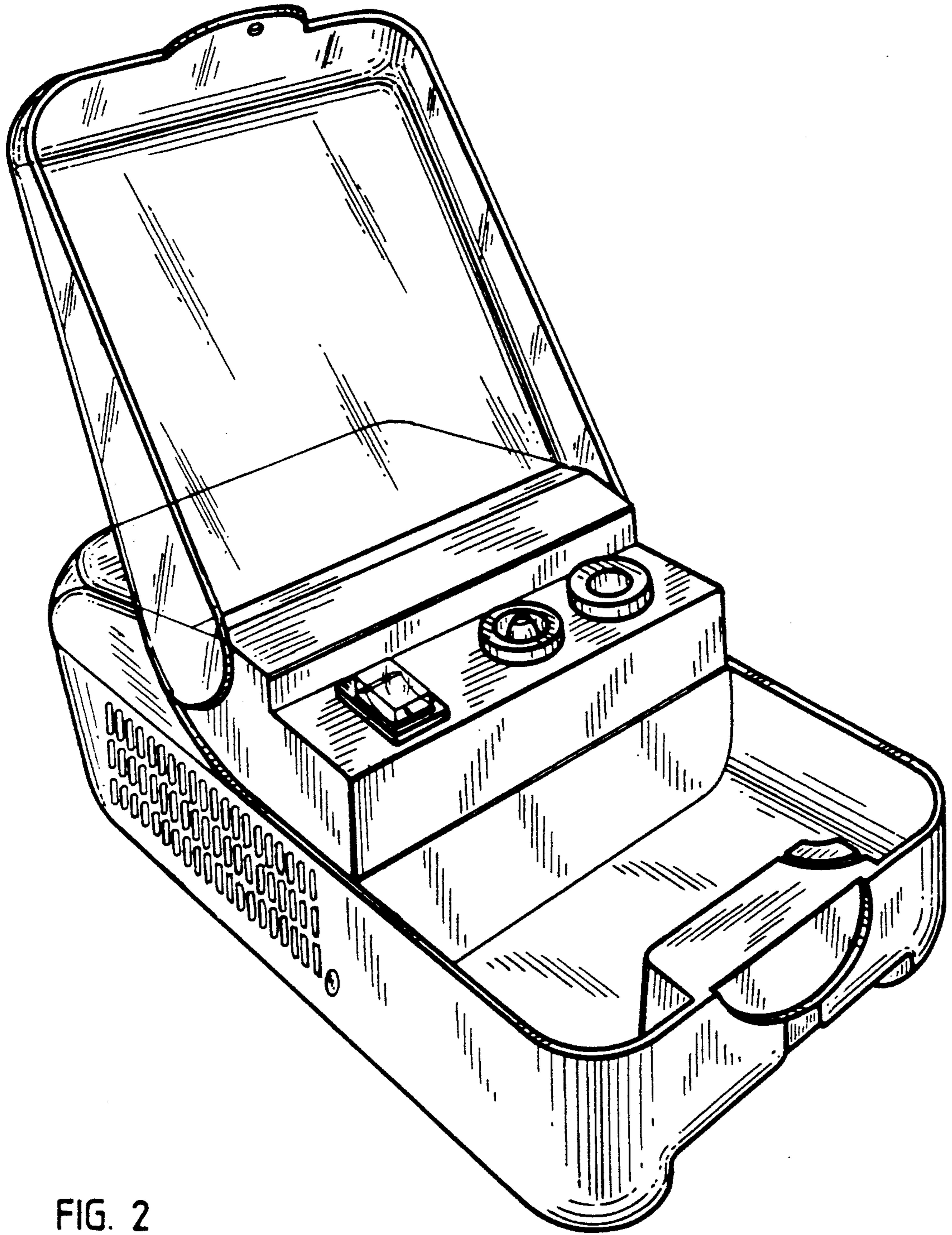


FIG. 2

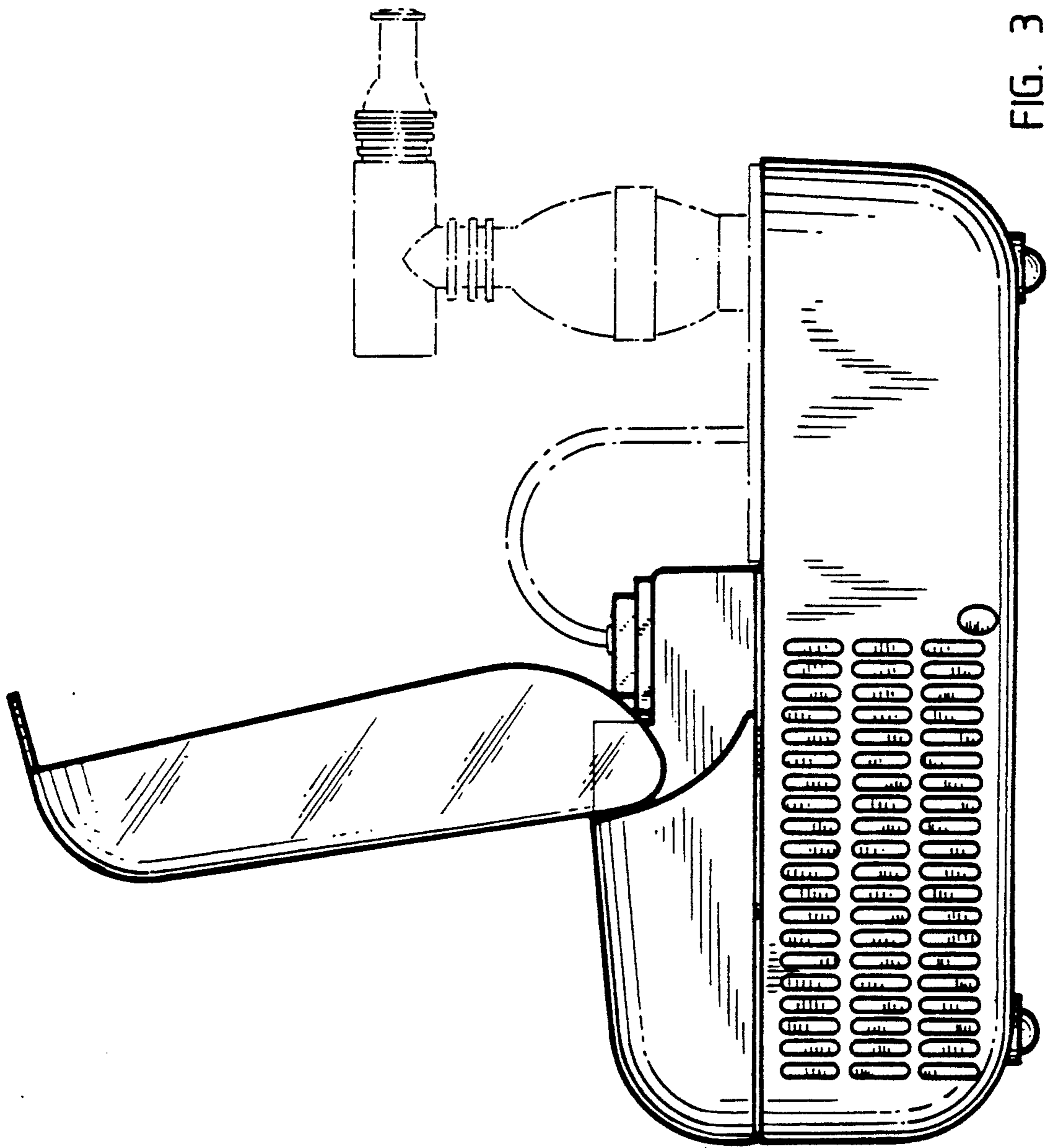


FIG. 3

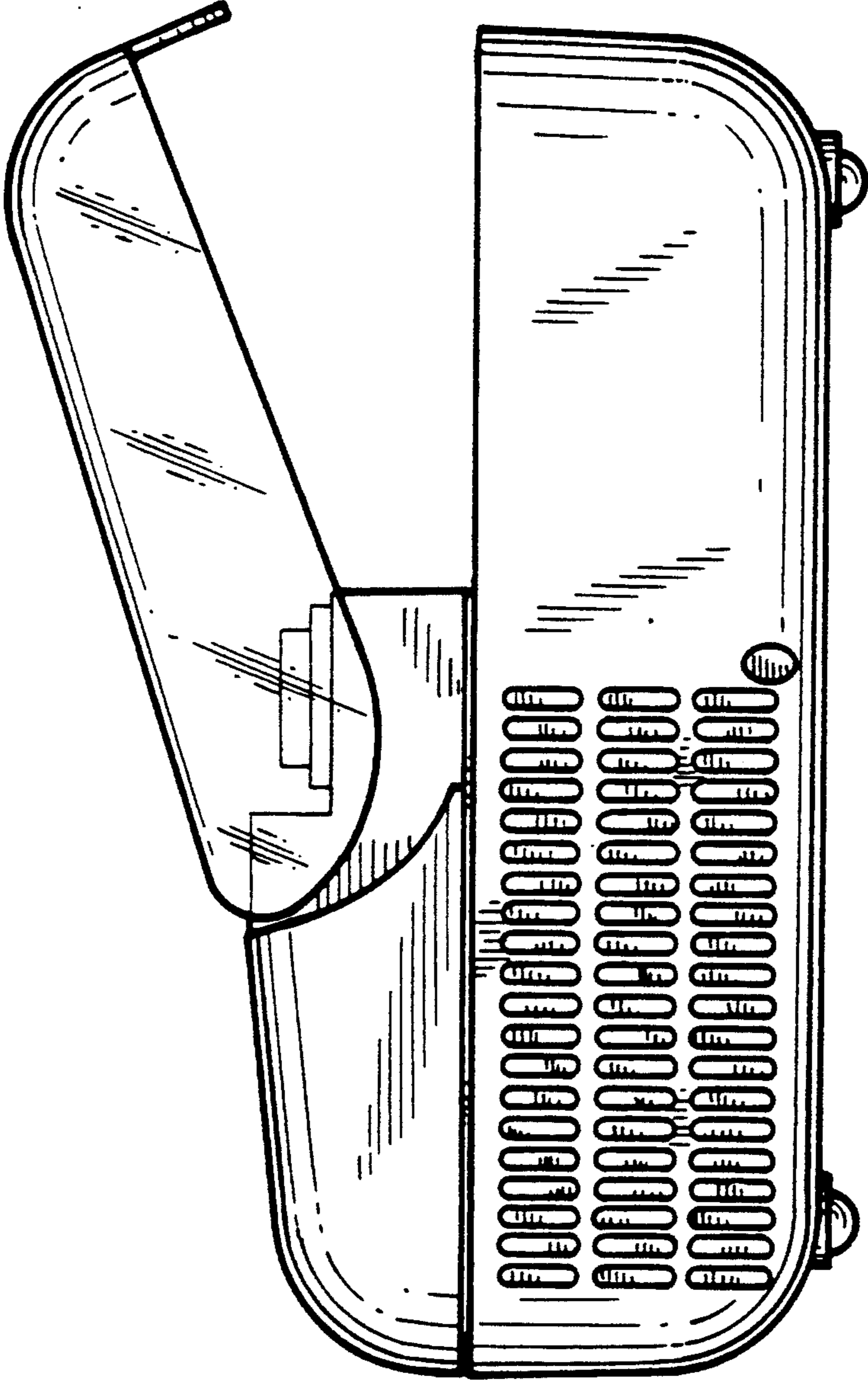


FIG. 4

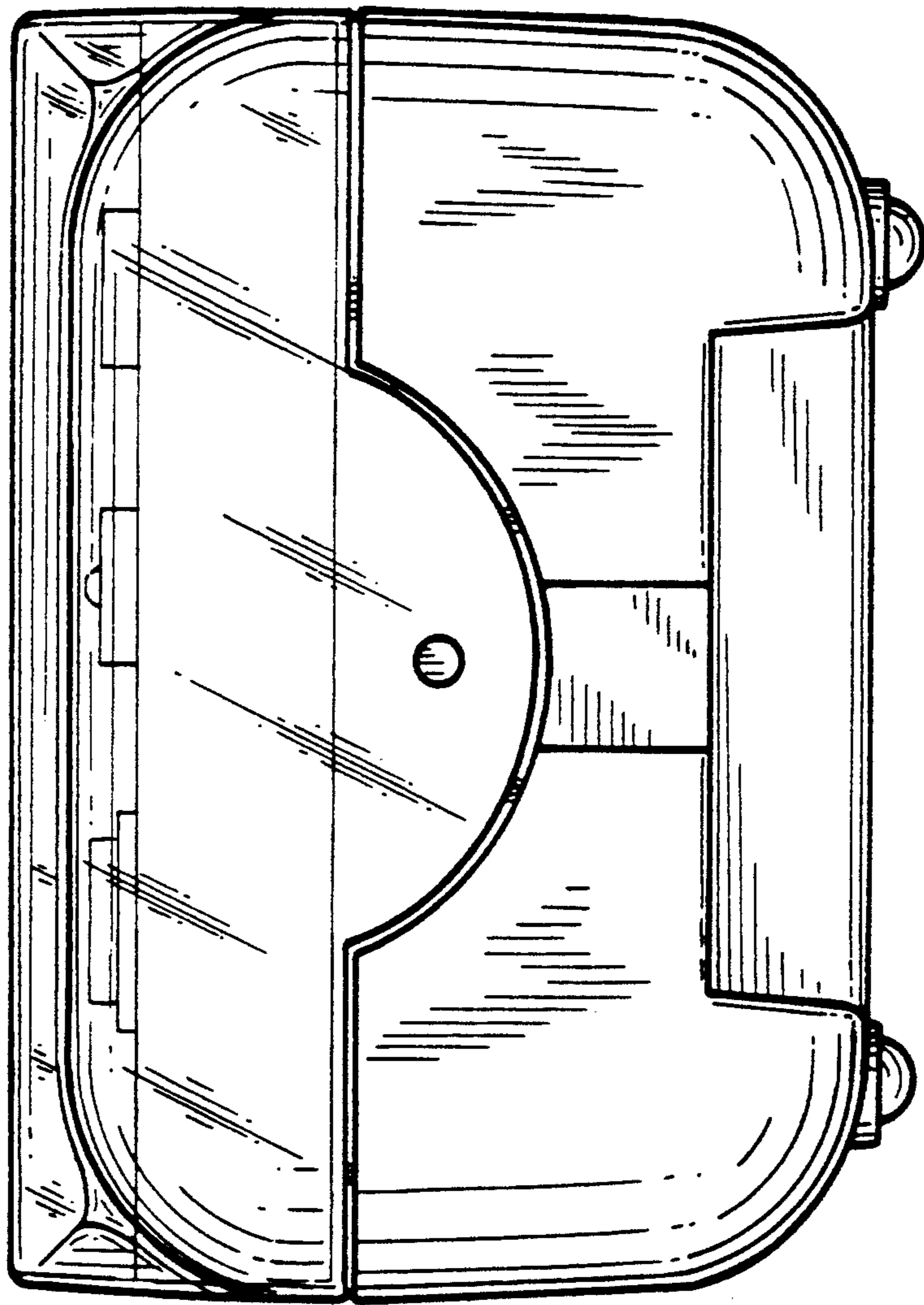


FIG. 5

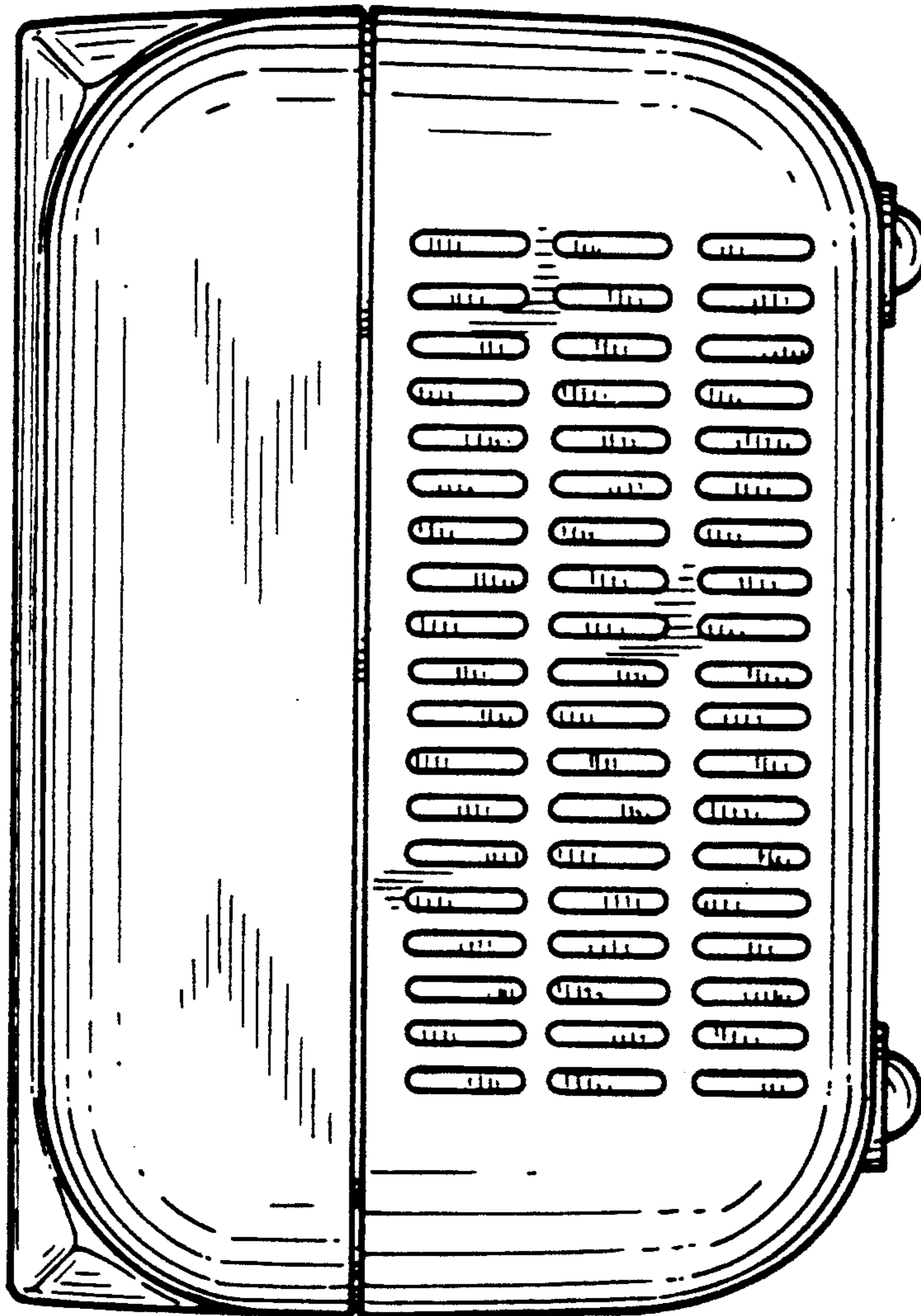


FIG. 6