



US00D348926S

United States Patent [19]

[11] Patent Number: Des. 348,926

Rasmussen

[45] Date of Patent: ** Jul. 19, 1994

[54] **COMBINED TOILET SEAT AND COVER**

[75] Inventor: **Else J. Rasmussen, Åbyhøj, Denmark**

[73] Assignee: **Pressalit A/S, Ry, Denmark**

[**] Term: **14 Years**

[21] Appl. No.: **853,305**

[22] Filed: **Mar. 12, 1992**

[30] **Foreign Application Priority Data**

Sep. 13, 1991 [DK] Denmark 0935/1991

Sep. 13, 1991 [DK] Denmark 0936/1991

[52] U.S. Cl. **D23/311**

[58] Field of Search 4/234-240;
D23/303, 309-312

[56] **References Cited**

U.S. PATENT DOCUMENTS

D. 237,969	12/1975	Firdmann	D23/311
D. 240,038	5/1976	Colani	D23/311
D. 254,684	4/1980	Boyter	D23/311
D. 261,029	9/1981	Boyter	D23/311
D. 262,486	12/1981	Boyter	D23/311
D. 262,733	1/1982	Bjorn	D23/311
D. 271,417	11/1983	Thygesen et al.	D23/311
D. 287,998	1/1987	Holscher	D23/311
D. 292,018	9/1987	Lepoix	D23/311
D. 292,432	10/1987	Rasmussen	D23/311
D. 318,525	7/1991	Bock	D23/311
D. 330,412	10/1992	Rasmussen	D23/311
D. 330,755	11/1992	Gerlach	D23/311
3,790,969	2/1974	Waldon	4/236

Primary Examiner—James R. Largen
Attorney, Agent, or Firm—Ladas & Parry

[57] **CLAIM**

The ornamental design for a combined toilet seat and cover, as shown.

DESCRIPTION

FIG. 1 is a top, front and left side perspective view of a combined toilet seat and cover showing my new design with the cover in a raised position;

FIG. 2 is a top, rear and left side perspective view thereof with the cover in closed position;

FIG. 3 is a bottom, front and right side perspective view of FIG. 2;

FIG. 4 is a top, front and left side perspective view the seat portion thereof;

FIG. 5 is a bottom, rear and right side perspective view of FIG. 4;

FIG. 6 is a top, front and left side perspective view of the cover portion thereof;

FIG. 7 is a bottom, rear and right side perspective view of FIG. 6;

FIG. 8 is a top, front and left side perspective view of a second embodiment thereof with the cover in a raised position;

FIG. 9 is a top, rear and left side perspective view of FIG. 8 with the cover in a closed position;

FIG. 10 is a bottom, front and right side perspective view of FIG. 9;

FIG. 11 is a top, front and left side perspective view of the toilet seat portion of FIG. 10;

FIG. 12 is a bottom, rear and right side perspective view of FIG. 11;

FIG. 13 is a bottom, rear and right side perspective view of the toilet seat cover portion of FIG. 8; and,

FIG. 14 is a top, front and left side perspective view of FIG. 13.

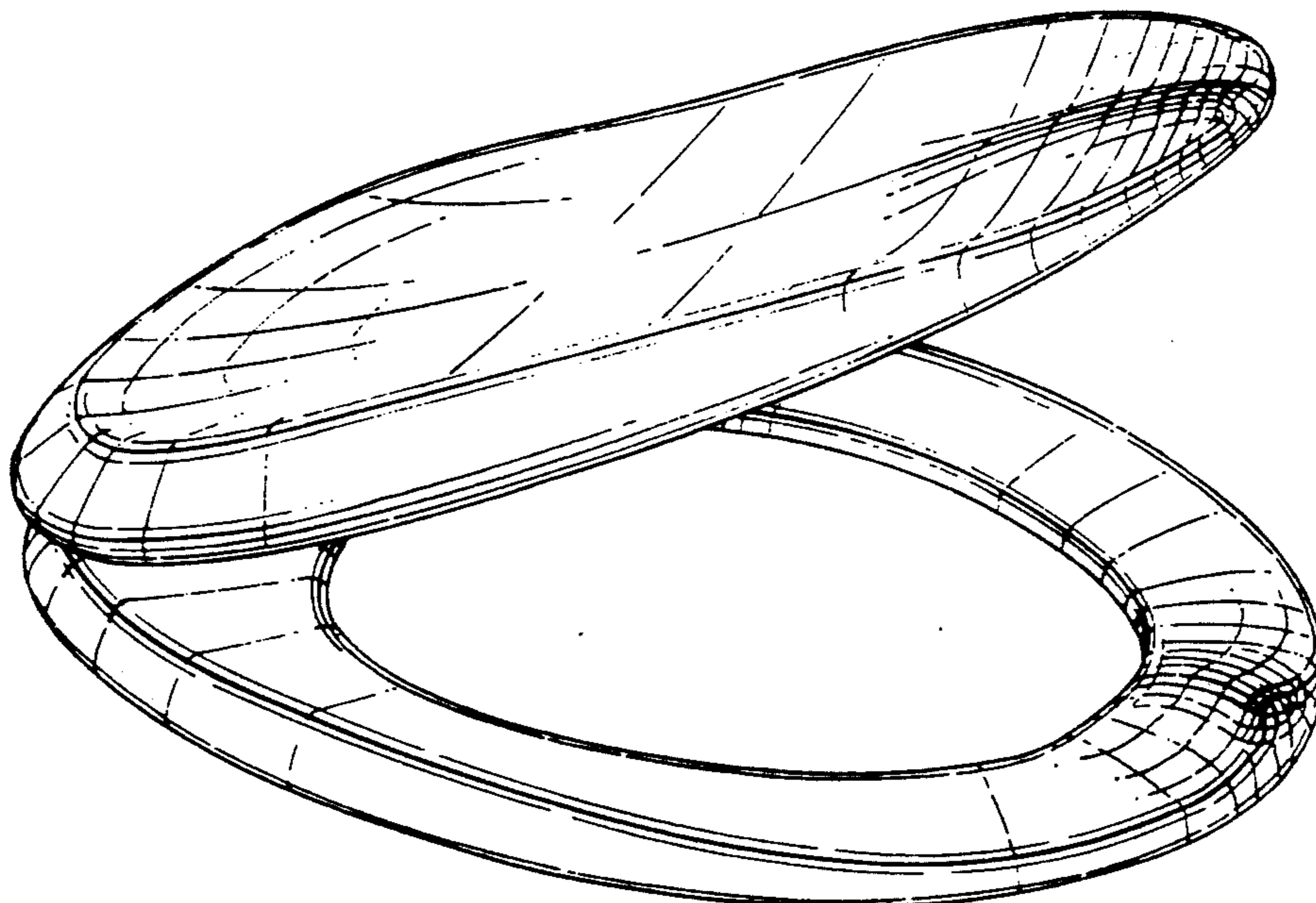


Fig.1

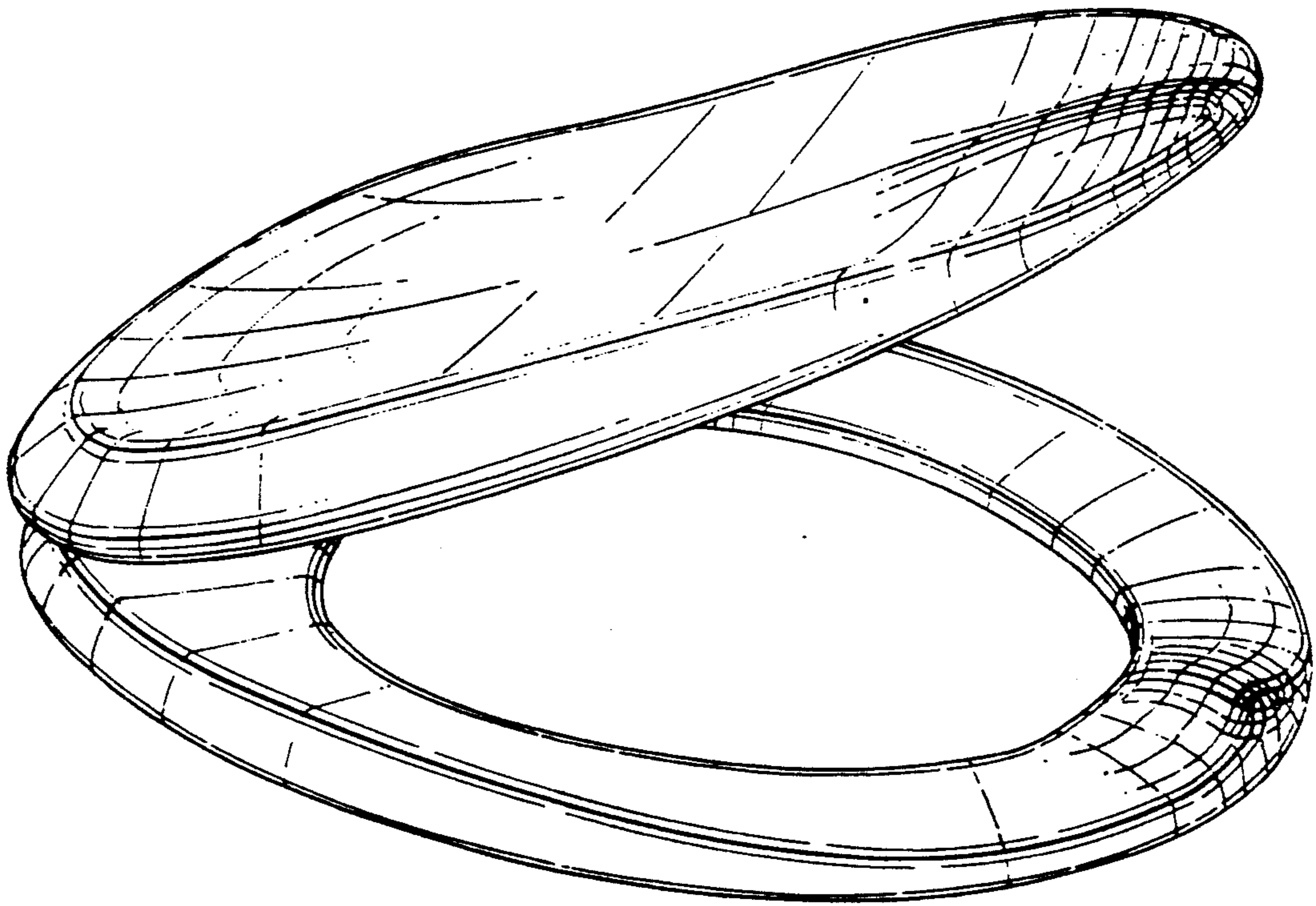


Fig. 2

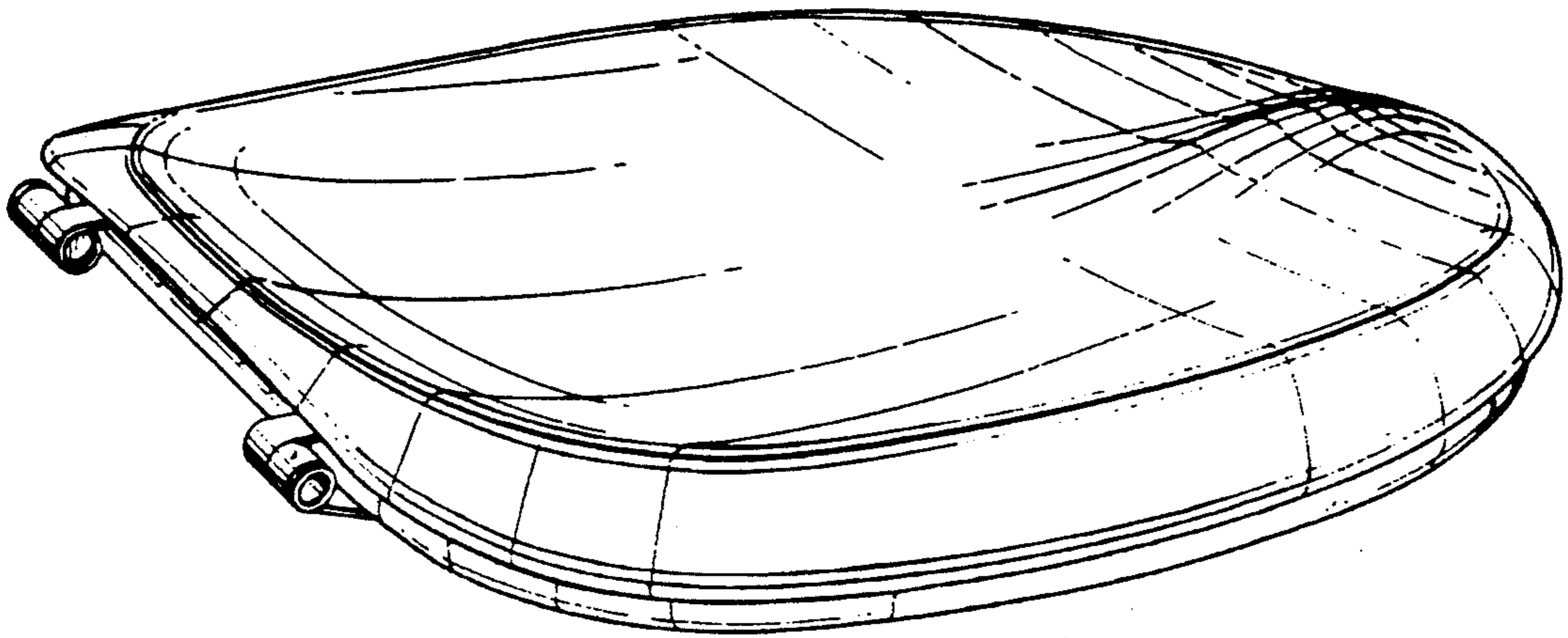


Fig. 3

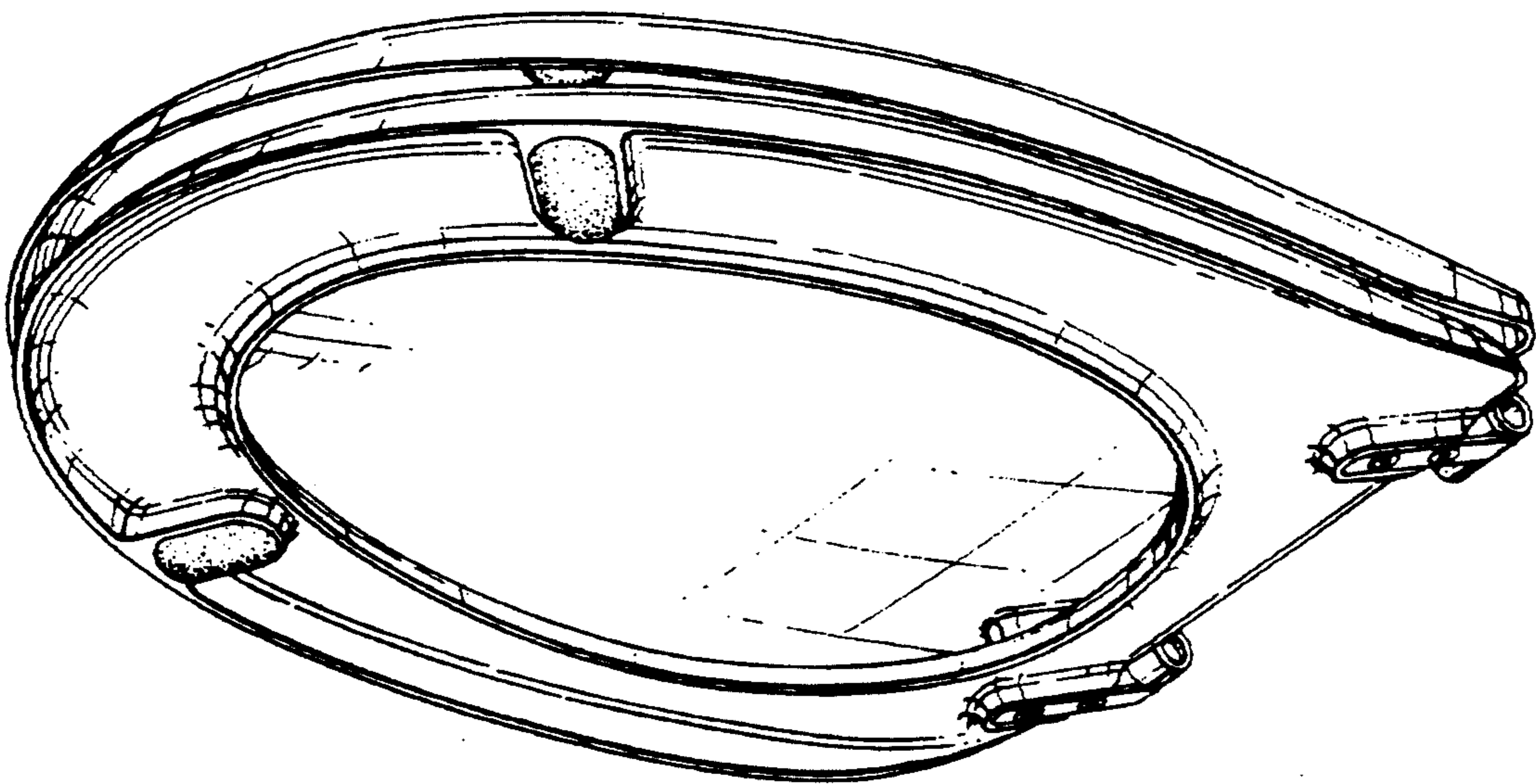


Fig. 4

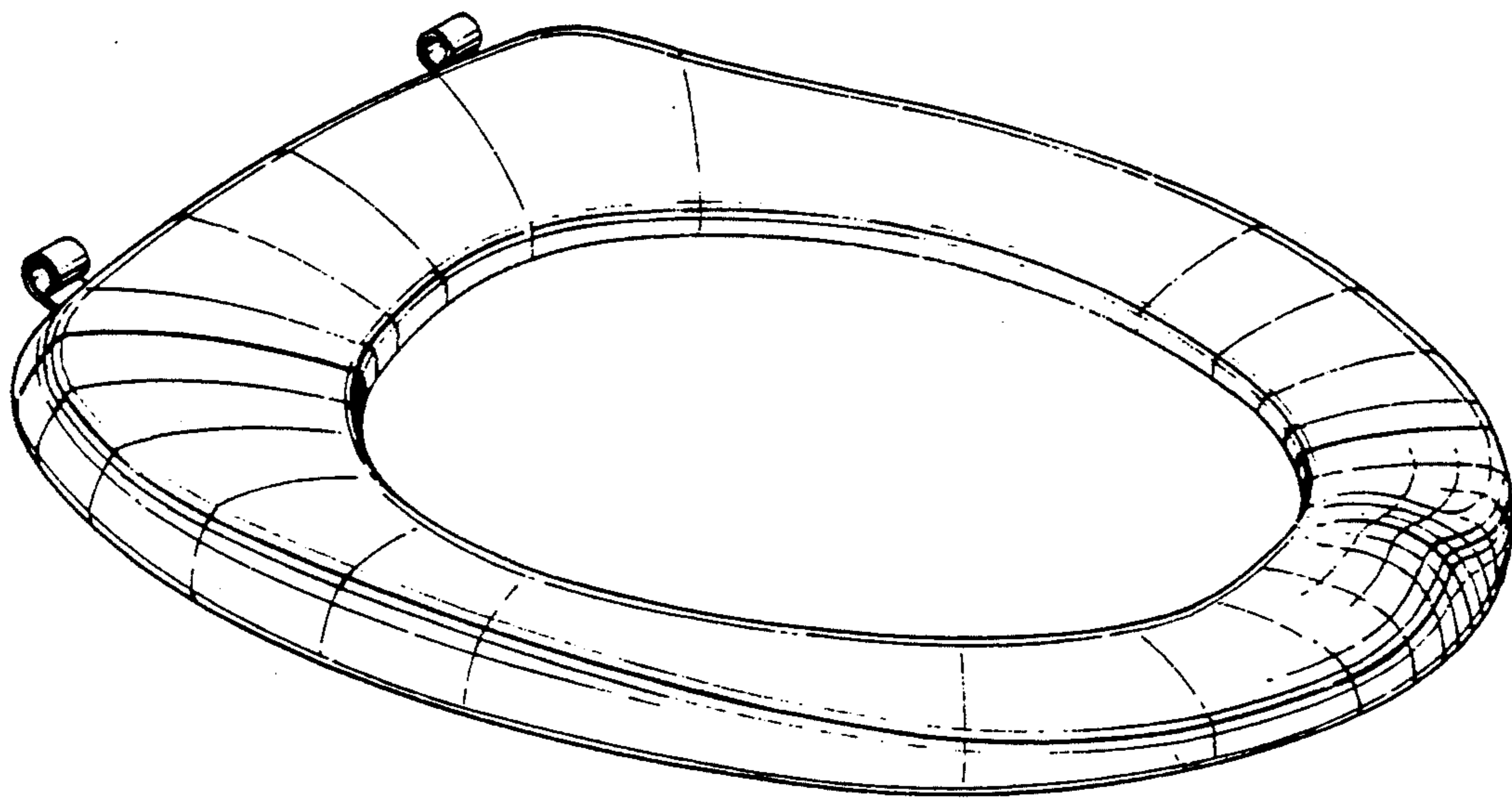


Fig. 5

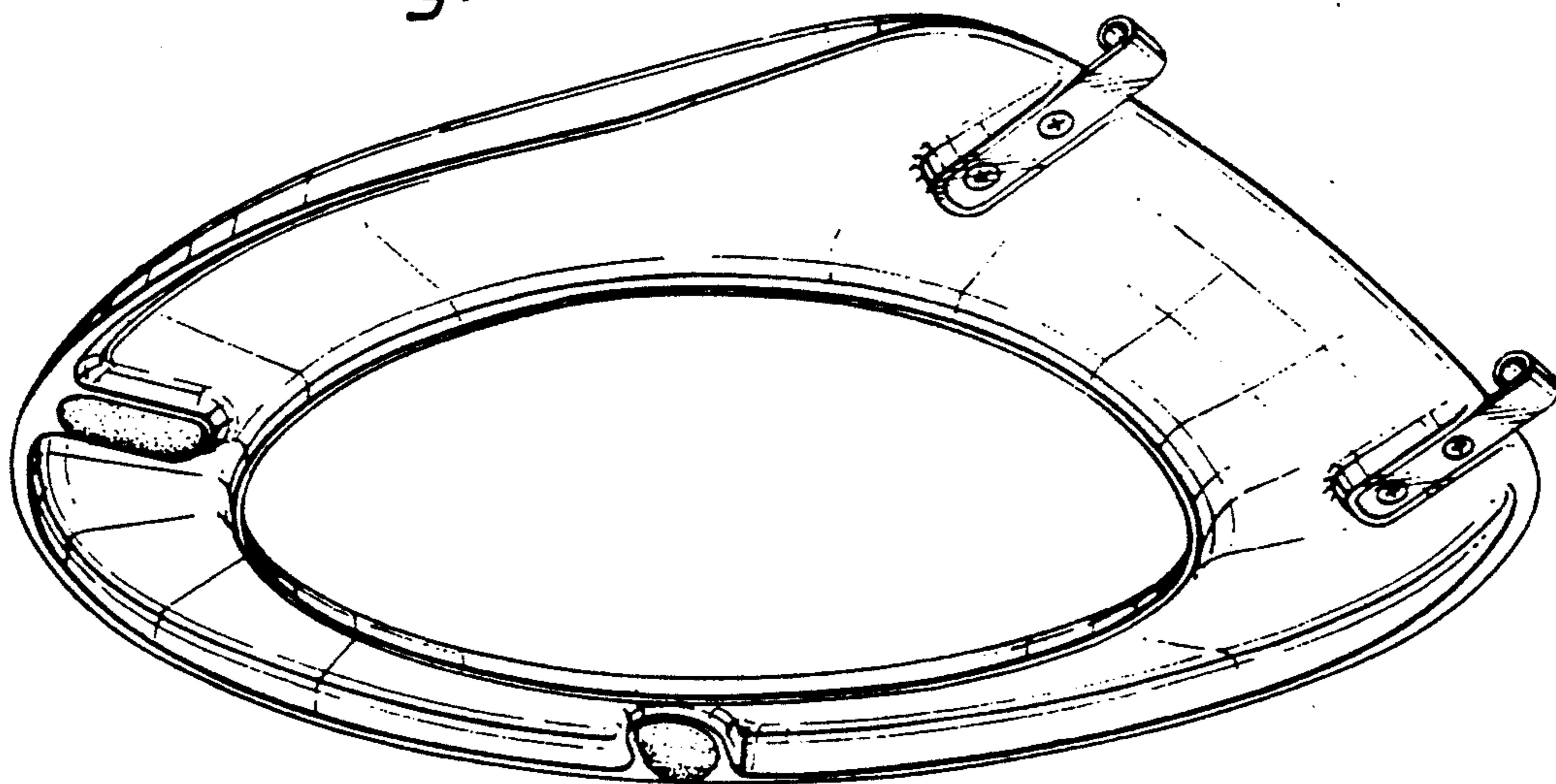


Fig. 6

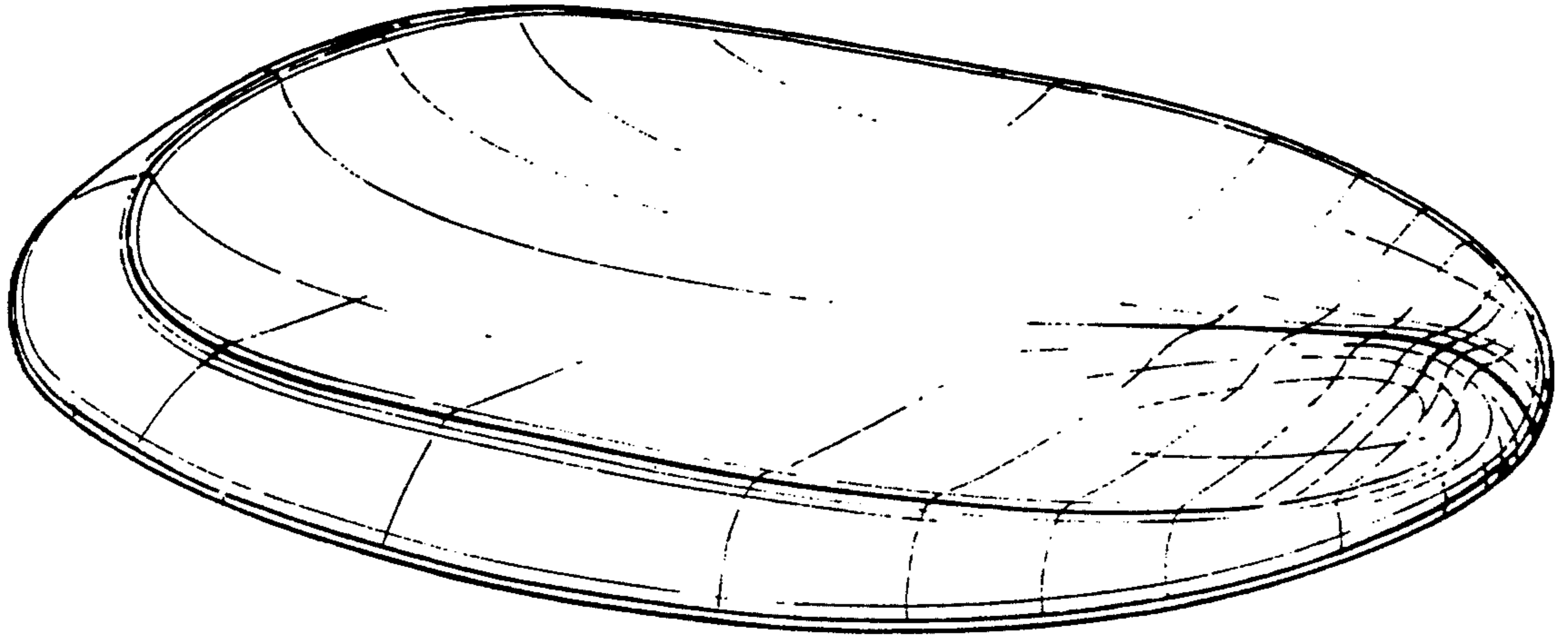


Fig. 7

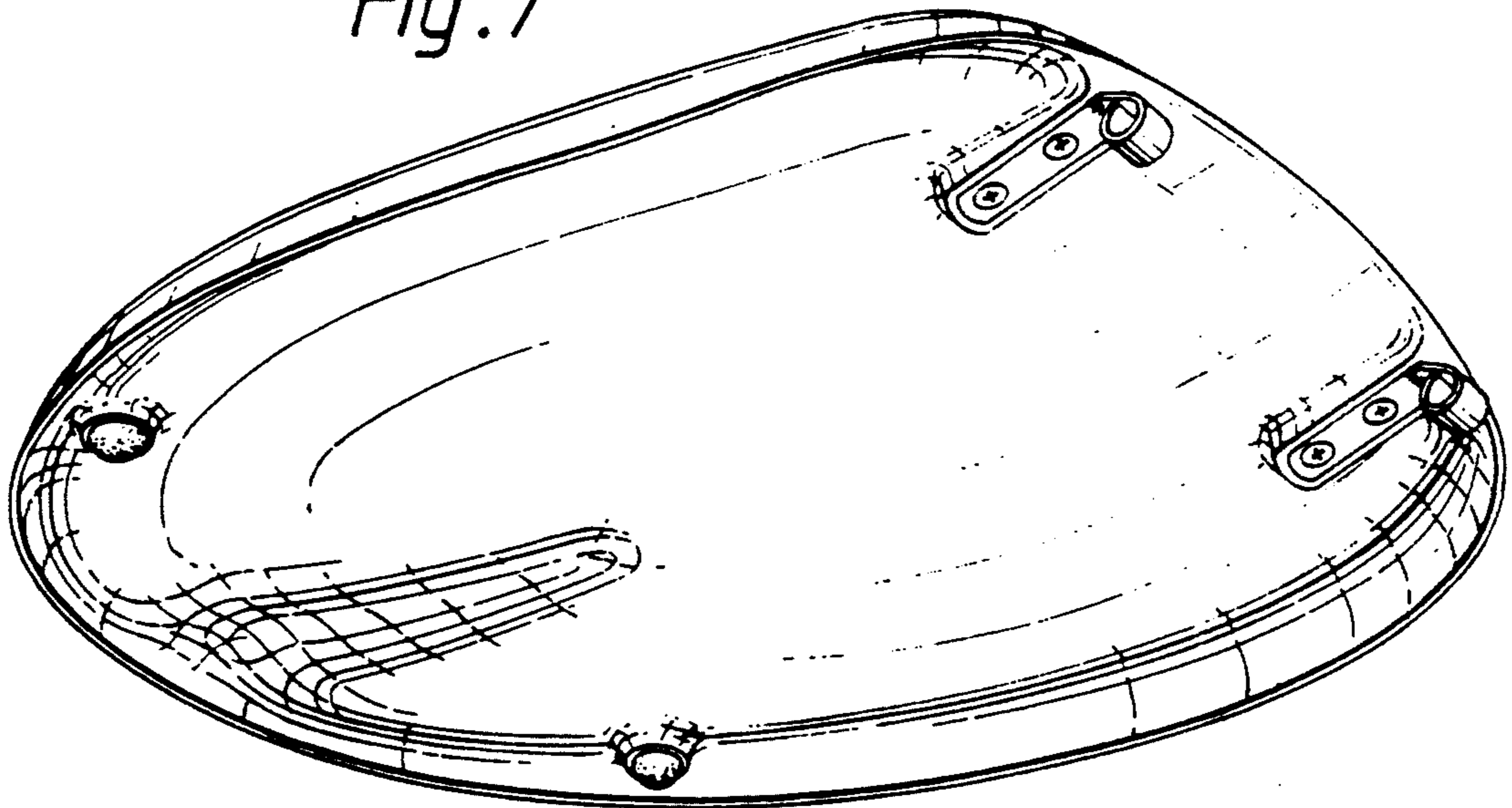


Fig. 8.

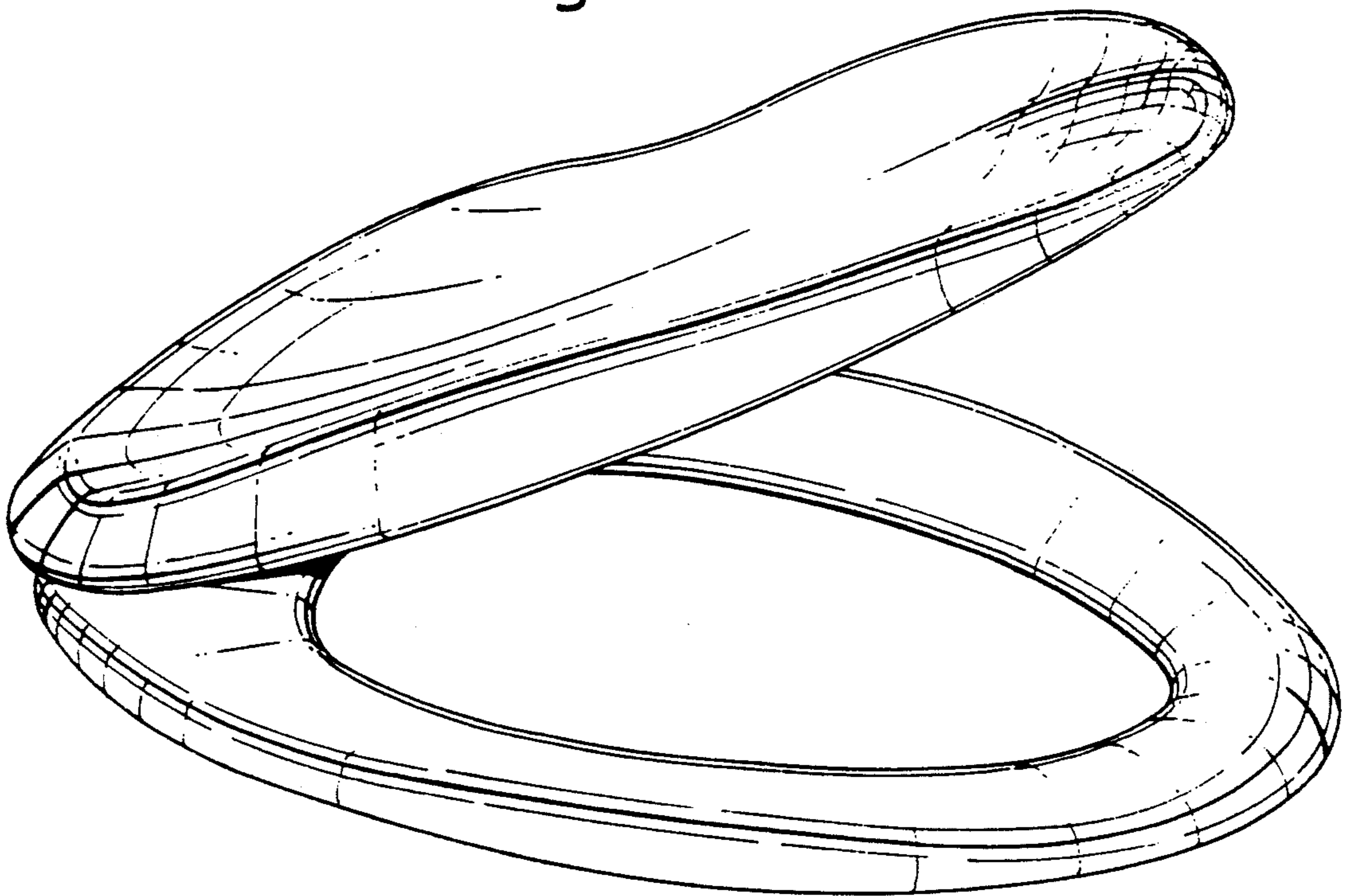


Fig. 9.

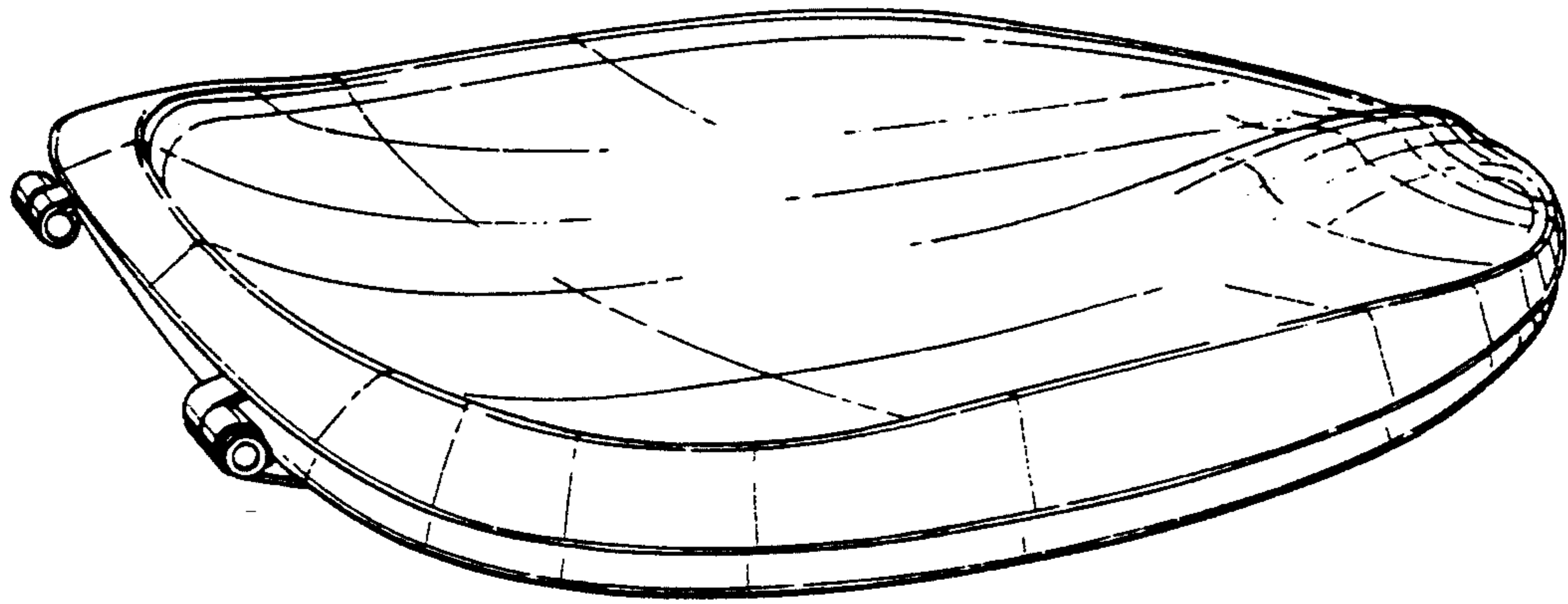


Fig. 10.

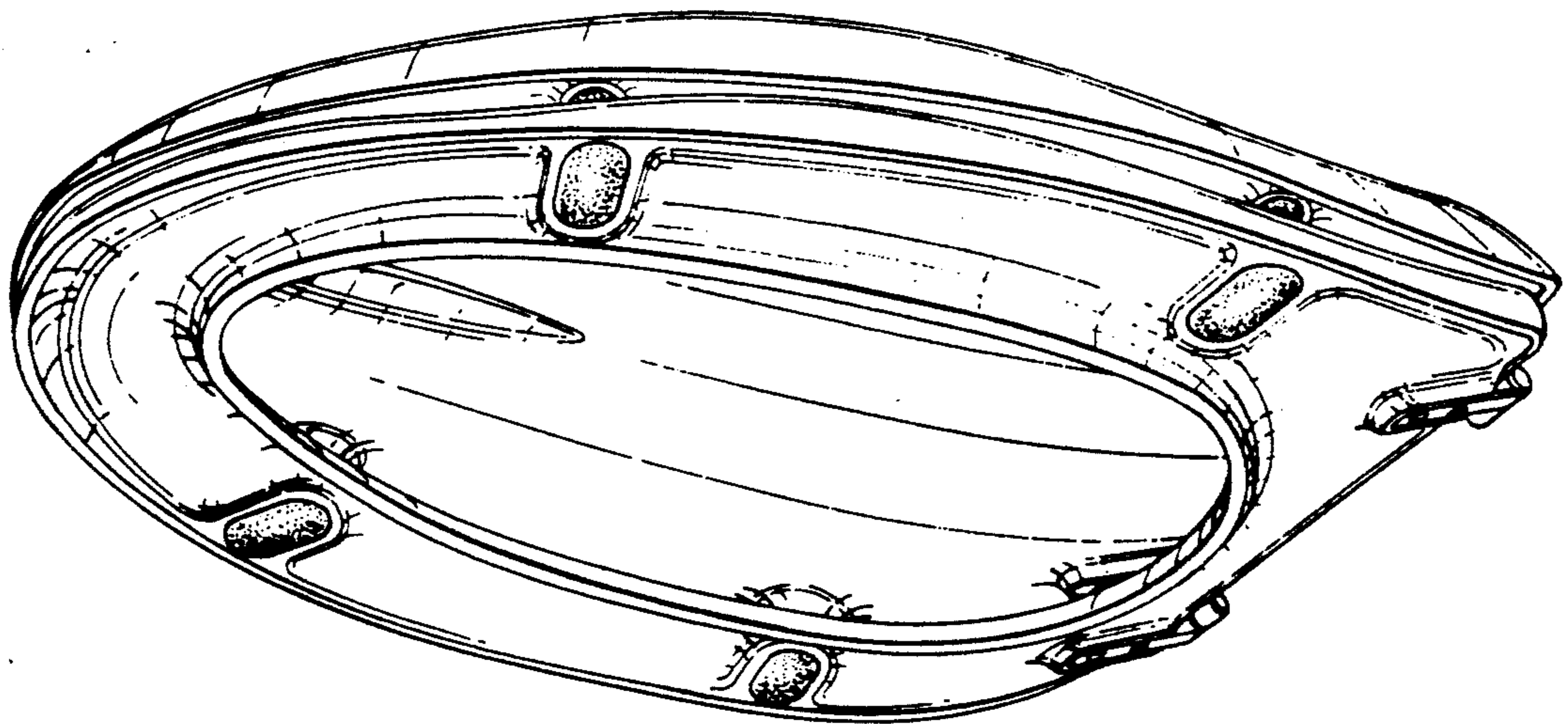


Fig. 11.

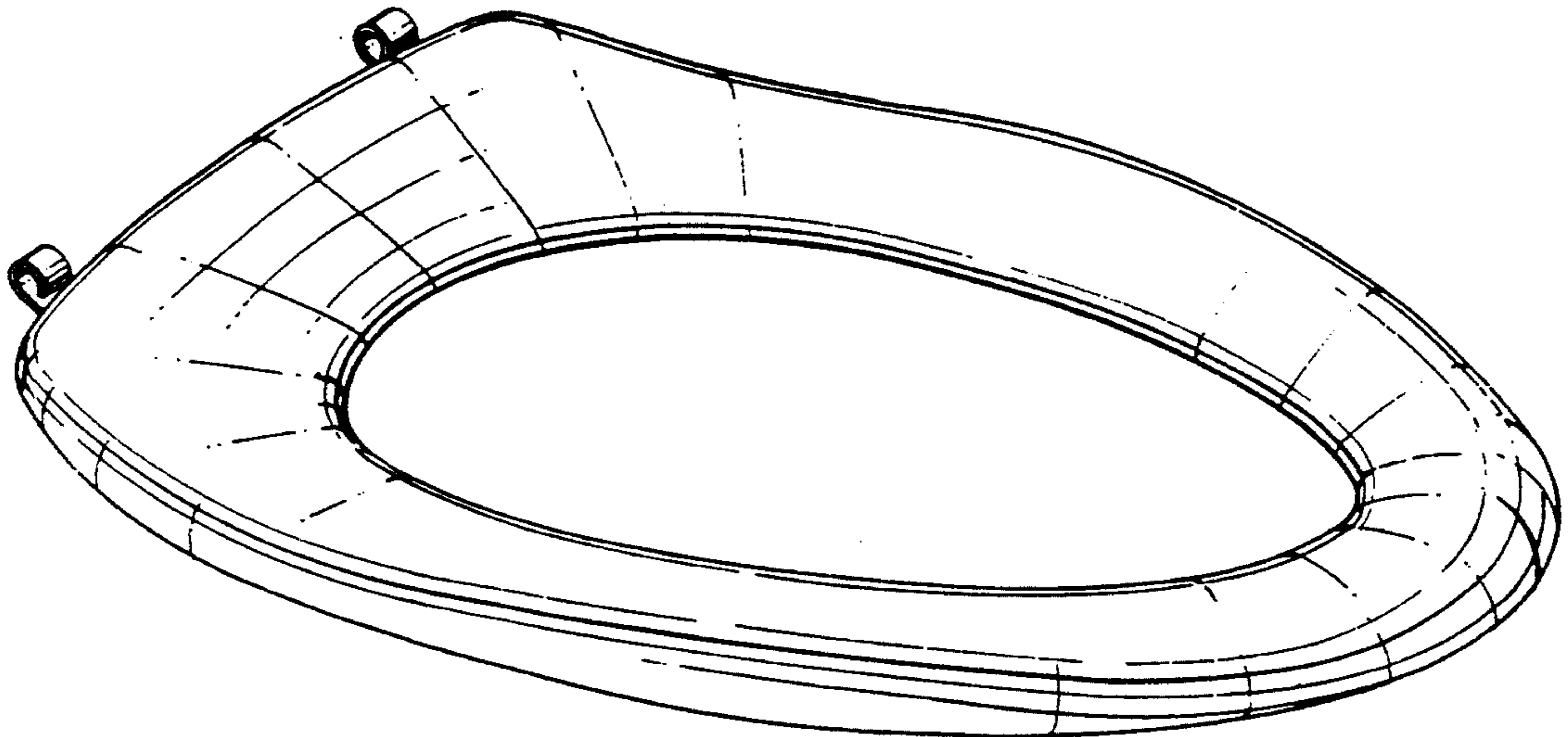


Fig. 12.

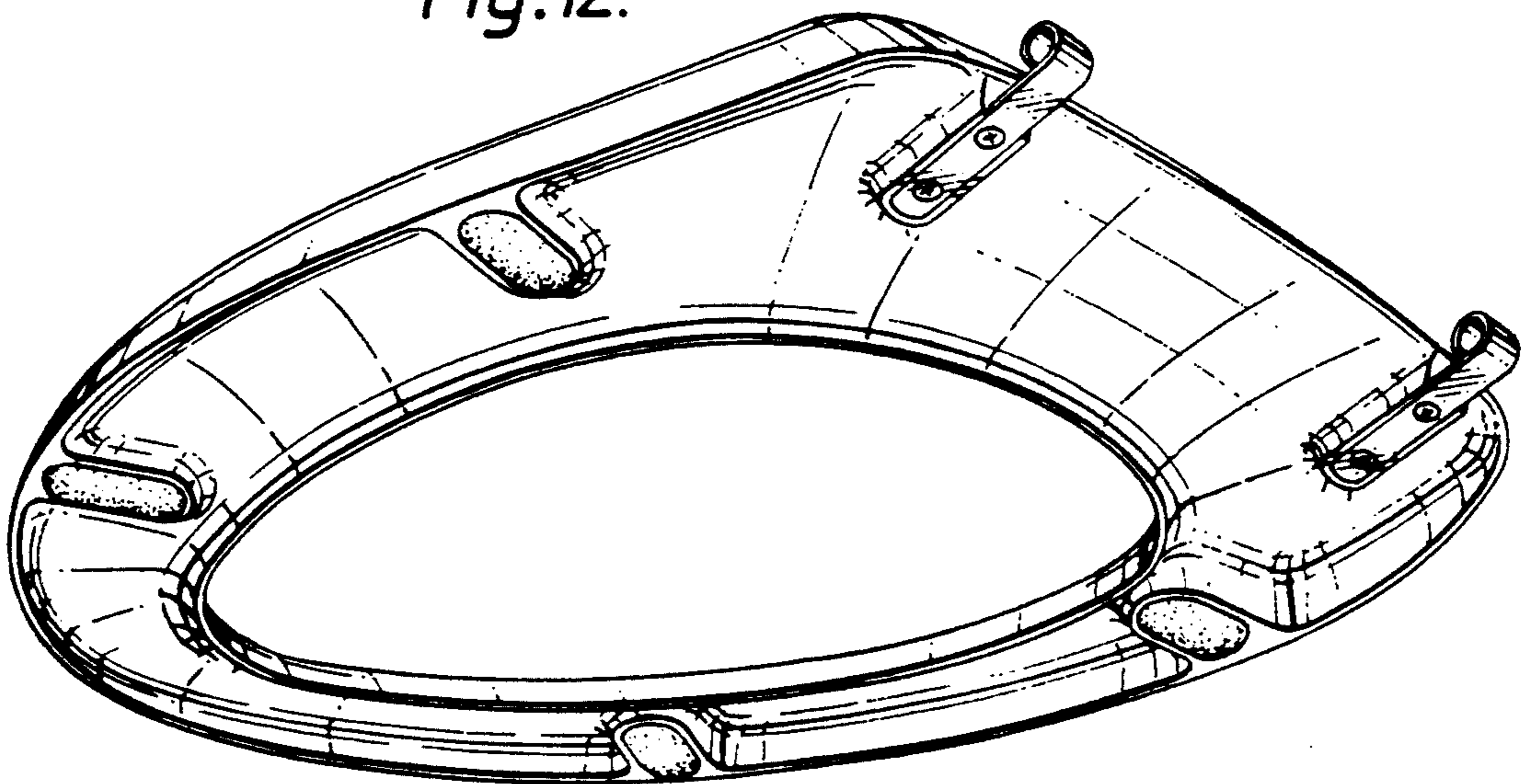


Fig. 13.

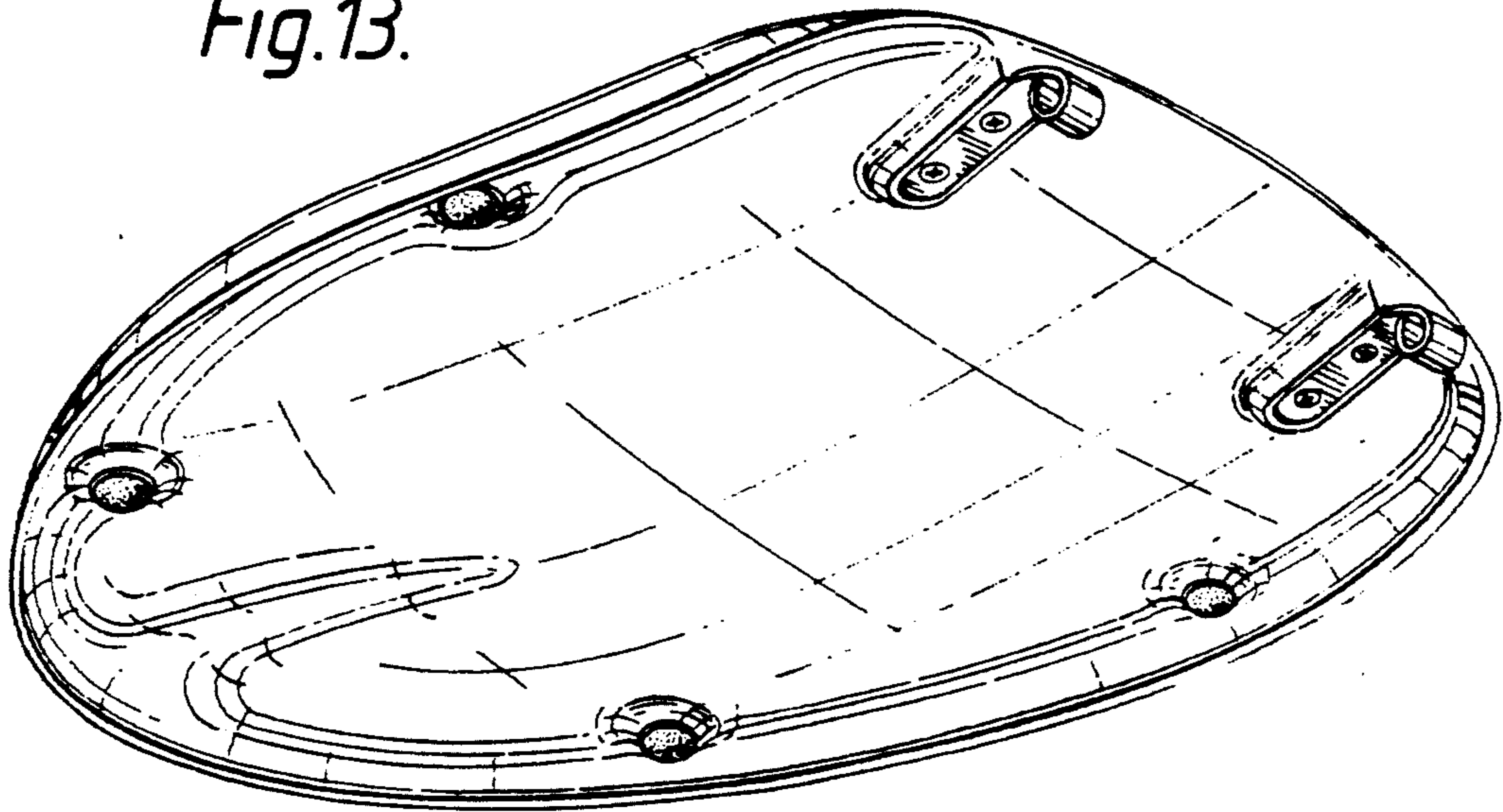


Fig. 14.

