



US00D348923S

United States Patent [19]

Yost

[11] Patent Number: **Des. 348,923**

[45] Date of Patent: **** Jul. 19, 1994**

[54] **LAVATORY FAUCET**

[75] Inventor: **Hollis K. Yost**, Santa Monica, Calif.

[73] Assignee: **Emhart Inc.**, Newark, Del.

[*] Notice: The portion of the term of this patent subsequent to Jul. 5, 2008 has been disclaimed.

[**] Term: **14 Years**

[21] Appl. No.: **914,067**

[22] Filed: **Jul. 16, 1992**

[52] U.S. Cl. **D23/238**

[58] Field of Search **4/675-678; 137/606, 625.17, 801; D23/238-243**

[56] **References Cited**

U.S. PATENT DOCUMENTS

- D. 193,922 10/1962 Ross et al. D23/238
- D. 200,754 3/1965 Landell D23/238
- D. 203,324 12/1965 Landell .
- D. 204,441 4/1966 Harvey .
- D. 220,101 3/1971 Brown D23/238
- D. 258,518 3/1981 Thevenot D23/238
- D. 293,361 12/1987 Whitley, II .
- D. 310,257 8/1990 Spangler D23/238
- D. 323,877 2/1992 Haig et al. D23/238
- 3,893,482 7/1975 Loosp 137/625.17
- 4,552,171 11/1985 Farrell et al. 137/801 X
- 5,031,657 7/1991 Stairs 137/801 X

FOREIGN PATENT DOCUMENTS

001225 2/1982 Int'l Pat. Institute .

74303184 12/1986 Taiwan .

OTHER PUBLICATIONS

Domestic Engineering, Jun. 1961, p. 164, "Redesigned Fitting", item.

Domestic Engineering, Jul. 1964, p. 50, "Model 502", item.

Toto Catalog, 1988, Model TL8AQ.

Flash Catalog, 1987-1988, p. 16.

U.S. Trademark Registration No. 1,808,996; Dec. 7 1993.

American Standard P65 Catalog; Dresslyn Lavatories F 109-60; Model No. N2055, Mar. 1963.

Sweet's Catalog, 1977, Elkay Model No. LK-2212.

Sweet's Catalog, 1969, Delta Model Nos. 502 and 522.

New Valley Faucets Catalog, 1985.

Eljer Catalog, 1986, Model No. 557-1000.

Peerless Catalog, 1984, Model No. 8620.

Primary Examiner—James R. Largen

Attorney, Agent, or Firm—J. Bruce Hoofnagle

[57] **CLAIM**

The ornamental design for lavatory faucet, as shown and described.

DESCRIPTION

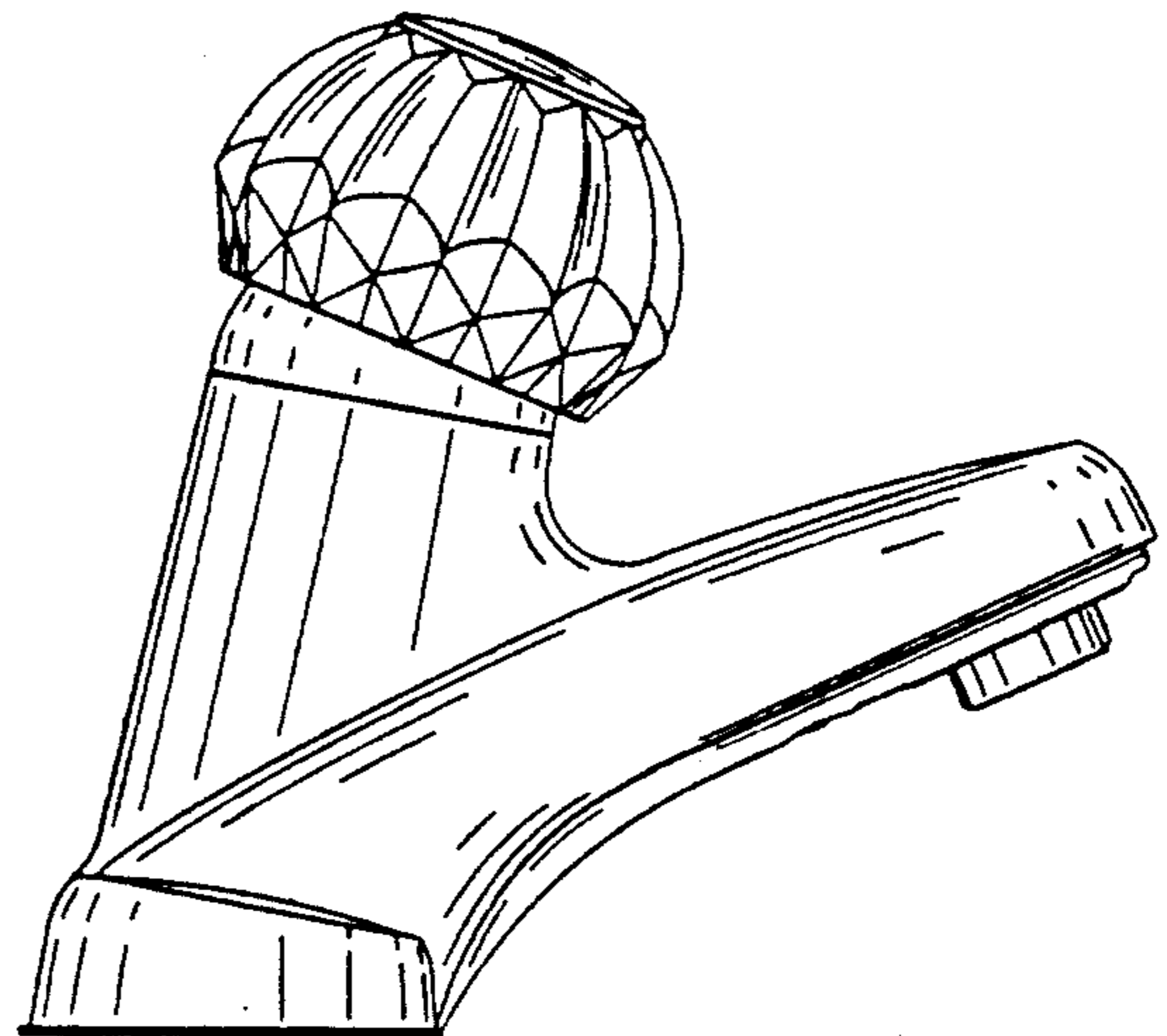
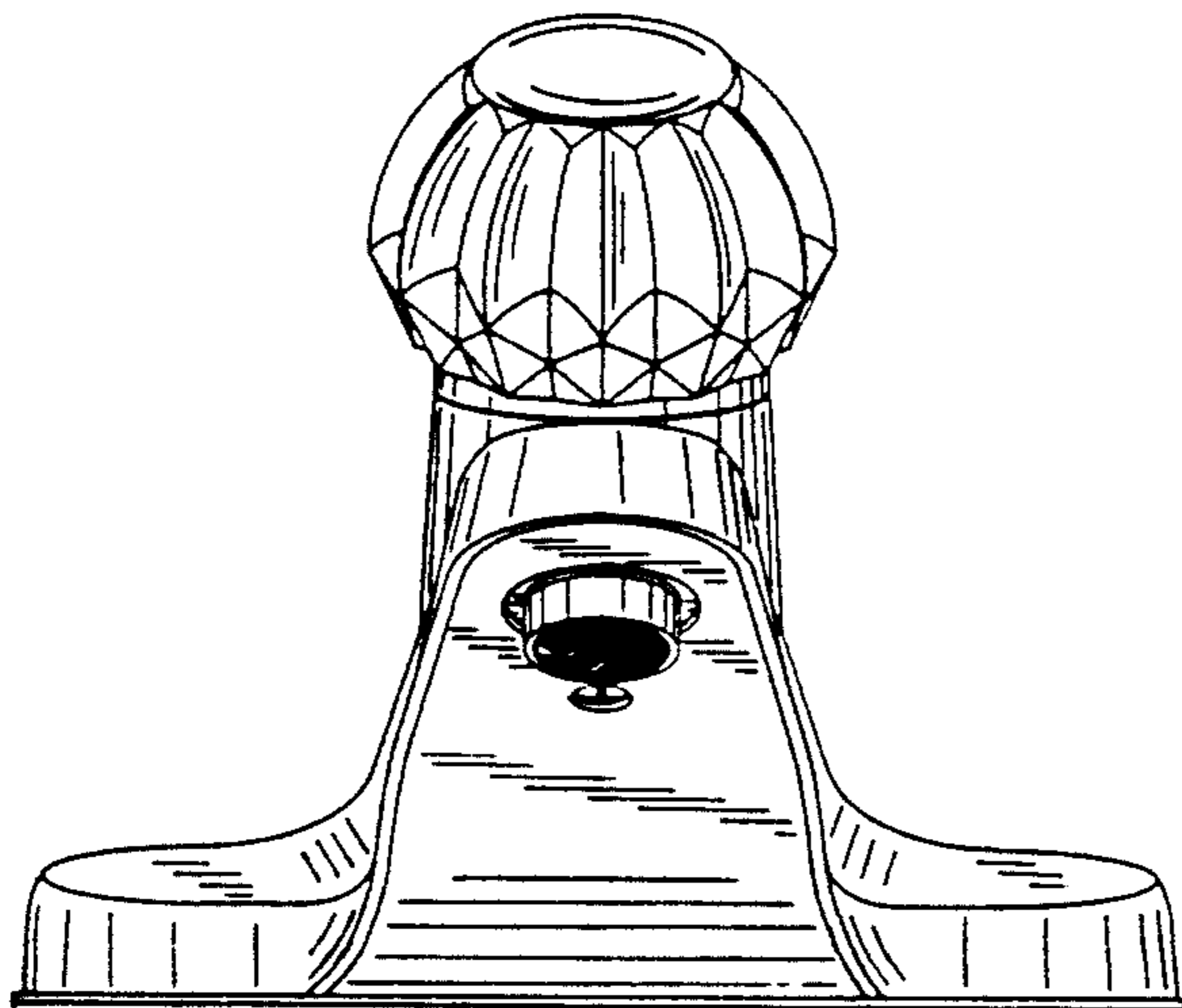
FIG. 1 is a front elevational view of a lavatory faucet showing my new design;

FIG. 2 is a rear elevational view thereof;

FIG. 3 is a left side elevational view thereof, the right side being a mirror image of the left side;

FIG. 4 is a top plan view thereof; and,

FIG. 5 is a bottom plan view thereof.



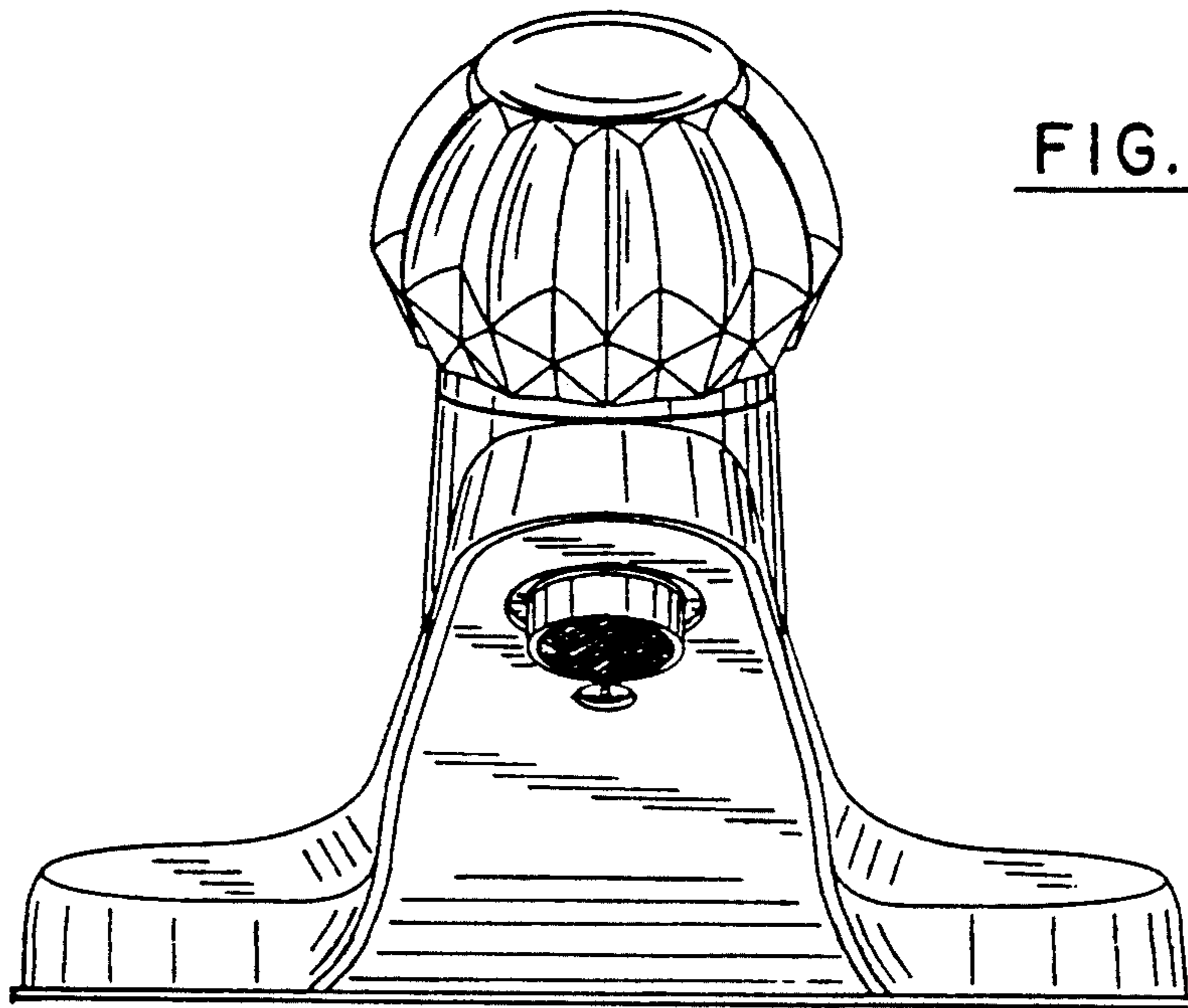


FIG. 1

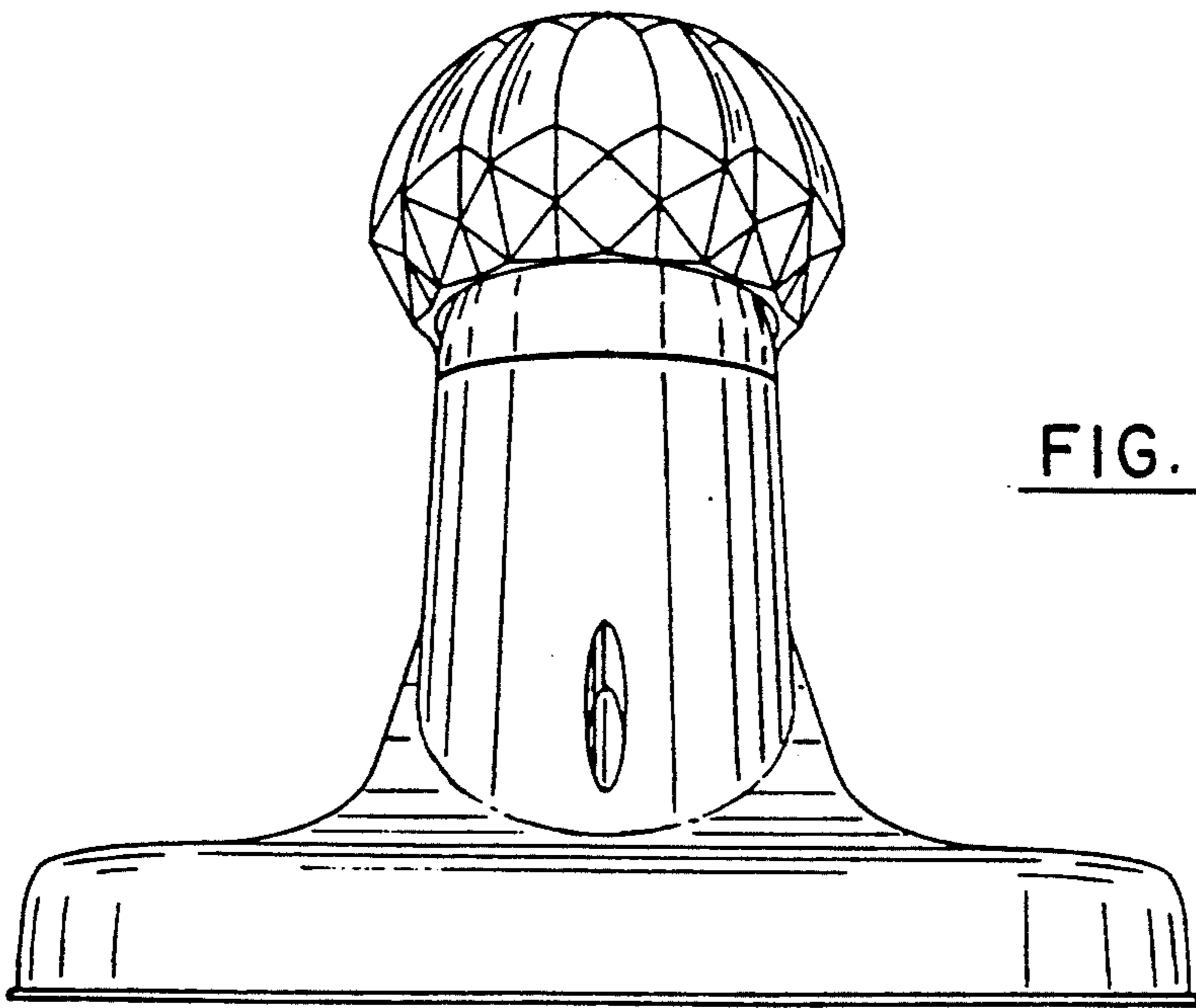


FIG. 2

FIG. 3

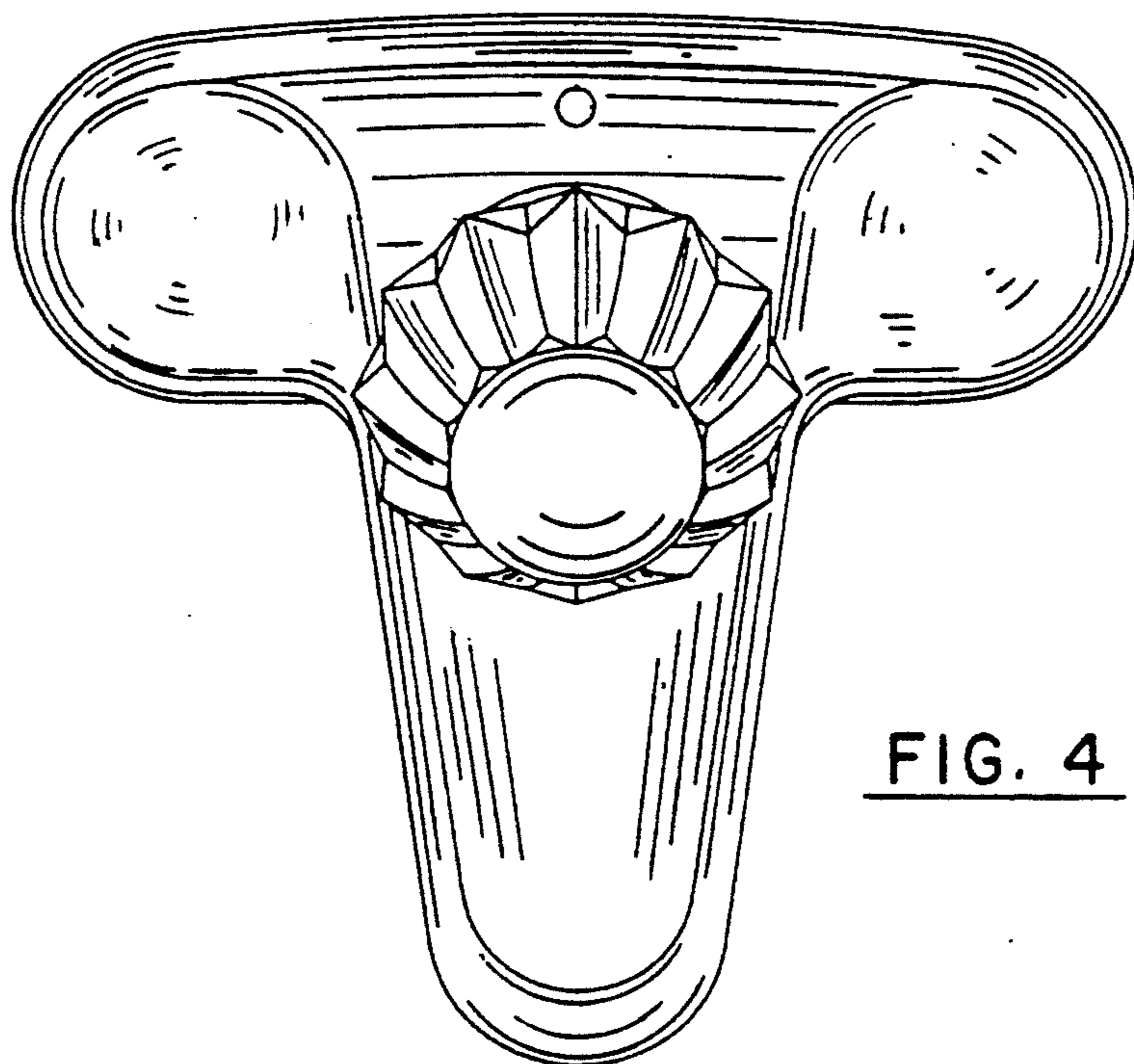
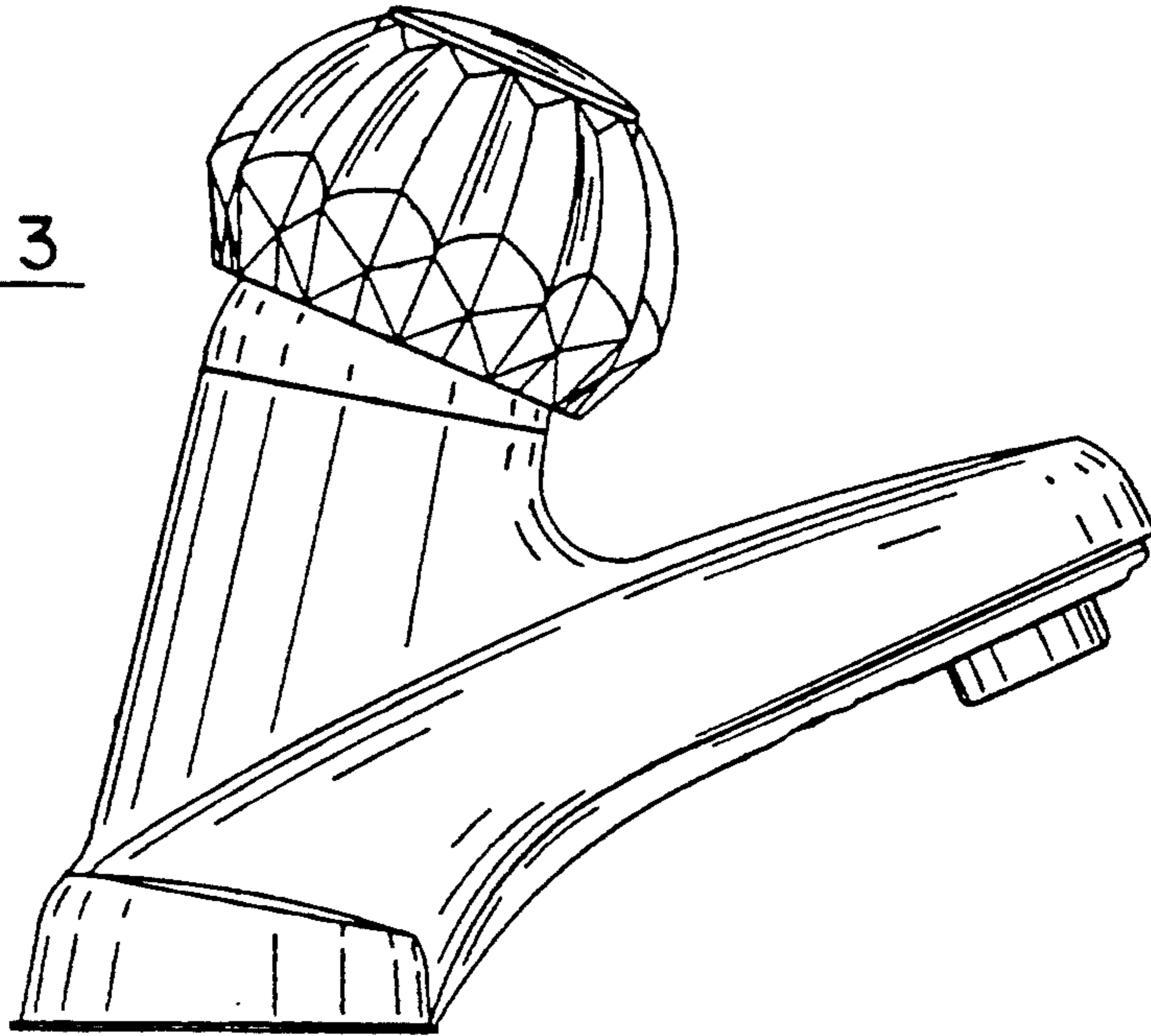


FIG. 4

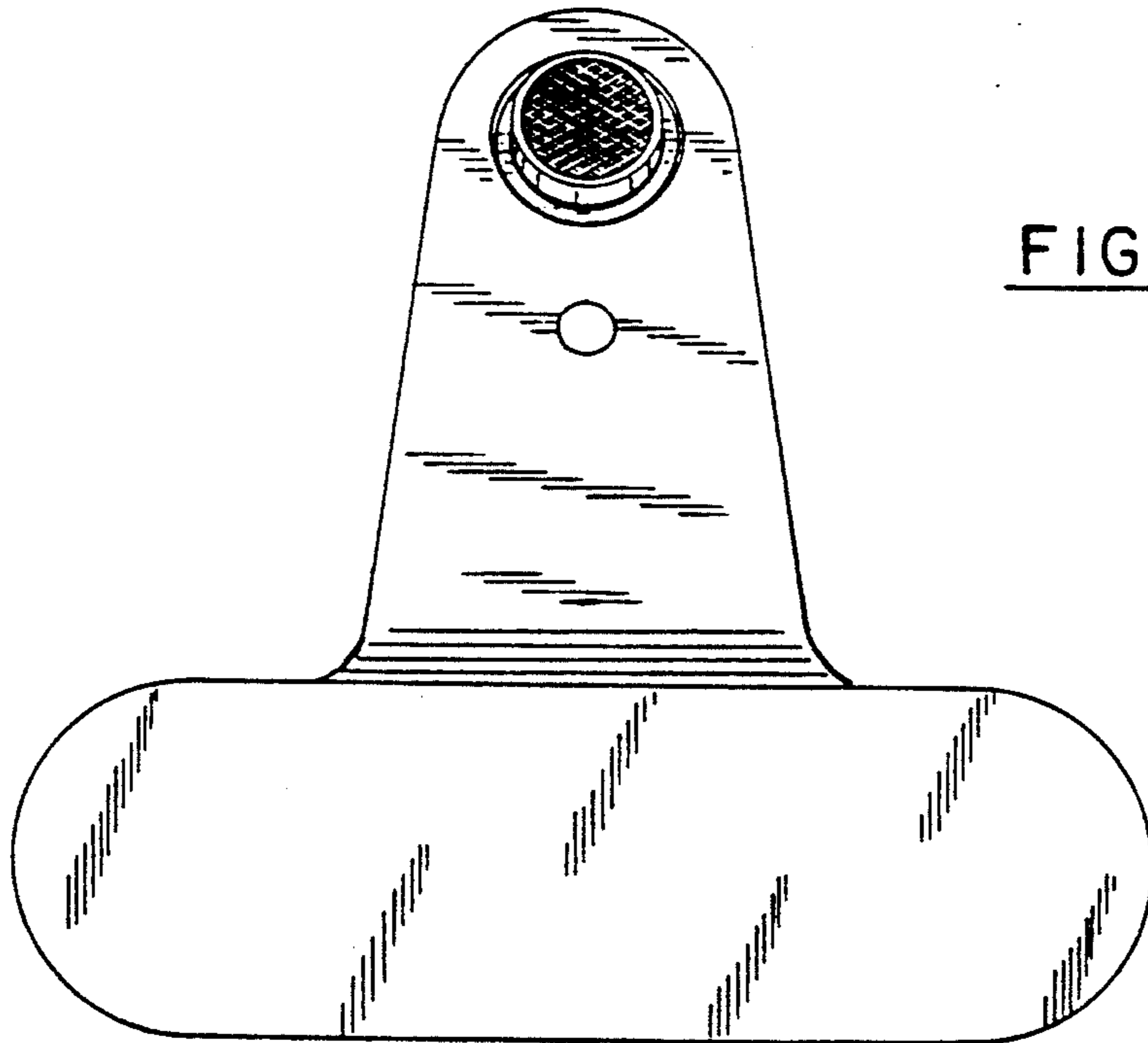


FIG. 5