



US00D348922S

United States Patent [19]

[11] Patent Number: **Des. 348,922**

Thrasher et al.

[45] Date of Patent: **** Jul. 19, 1994**

[54] **AIR CONTROL VALVE FOR A SPA OR HOT TUB**

[75] Inventors: **Lawrence E. Thrasher**, Simi Valley;
Gustavo Mendiola, Moorpark, both
of Calif.

[73] Assignee: **KDI American Products Company**,
Moorpark, Calif.

[**] Term: **14 Years**

[21] Appl. No.: **6,857**

[22] Filed: **Apr. 7, 1993**

[52] U.S. Cl. **D23/233**

[58] Field of Search 137/625.31, 625.32,
137/614.2; D23/233-237, 244-258; D24/200,
201, 203

[56] **References Cited**

U.S. PATENT DOCUMENTS

- D. 310,717 9/1990 Heilizenstein et al. D24/201
- D. 319,107 8/1991 Bucher D24/201

- 2,875,783 3/1959 Schippers 137/625.31 X
- 4,114,649 9/1978 Lindenburg et al. 137/625.32 X
- 4,909,212 3/1990 Minowa et al. 137/625.32 X
- 4,966,187 10/1990 Wah 137/625.31 X
- 5,010,917 4/1991 Iqbal 137/625.32 X

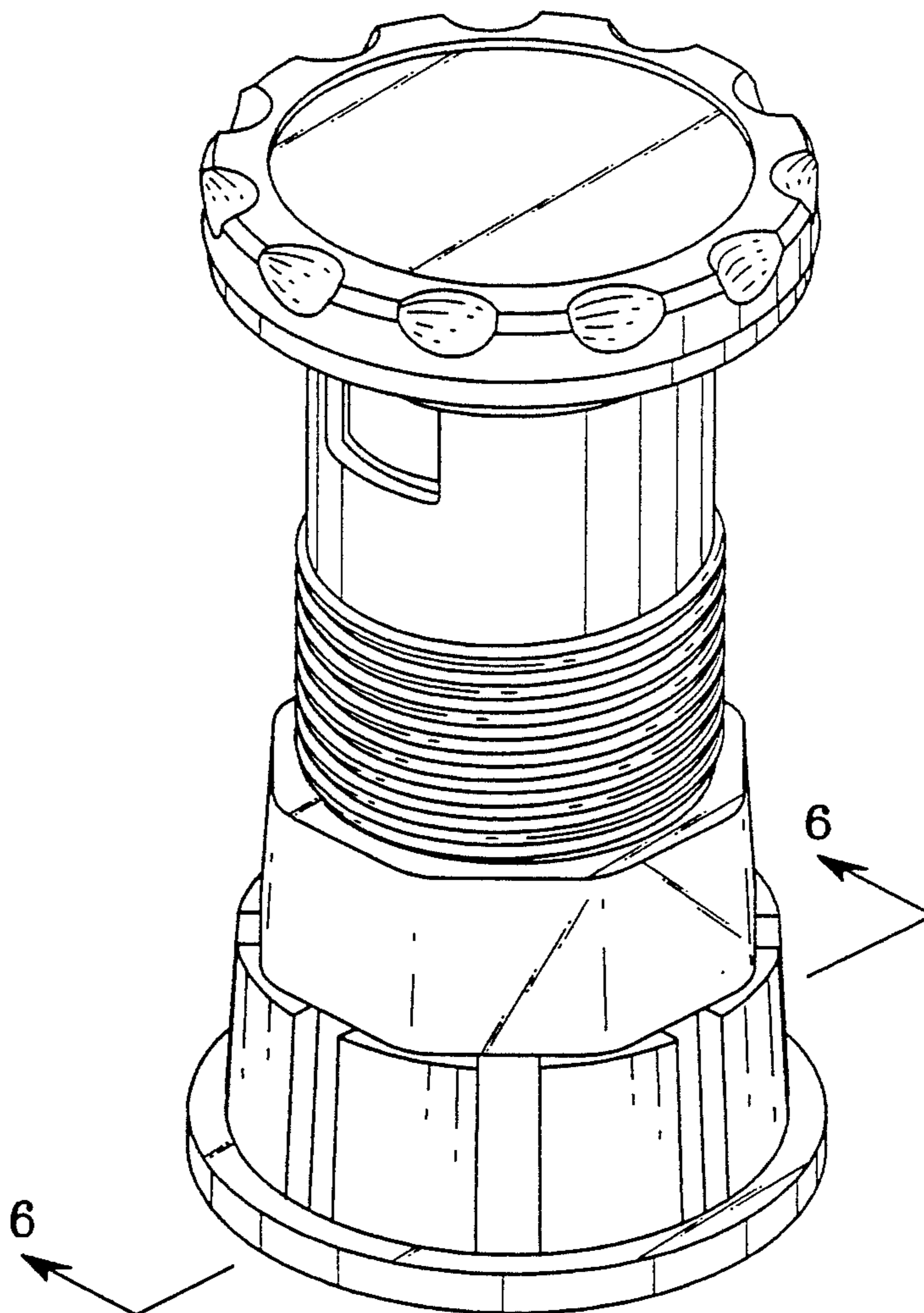
Primary Examiner—Stella Reid
Assistant Examiner—Eric Watterson
Attorney, Agent, or Firm—Noel F. Heal; Lois Babcock

[57] **CLAIM**

The ornamental design for an air control valve for a spa or hot tub, as shown and described.

DESCRIPTION

FIG. 1 is a perspective view of an air control valve showing our new design;
FIG. 2 is a top plan view therefor;
FIG. 3 is a bottom plan view thereof;
FIG. 4 is a left side elevation view thereof;
FIG. 5 is a front or rear elevation view thereof; and,
FIG. 6 is a cross-sectional view taken substantially along the line 6—6 in FIG. 1.



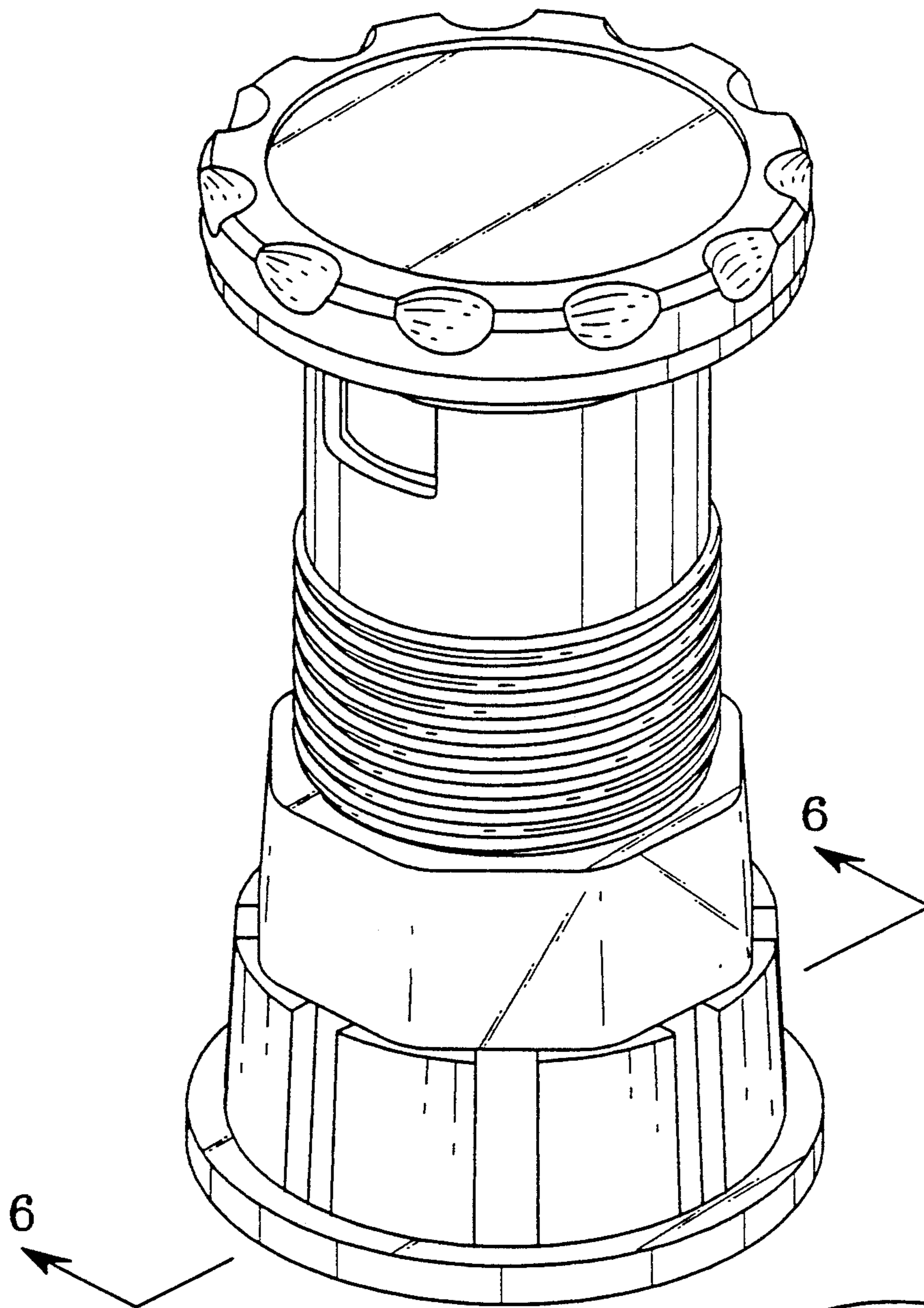
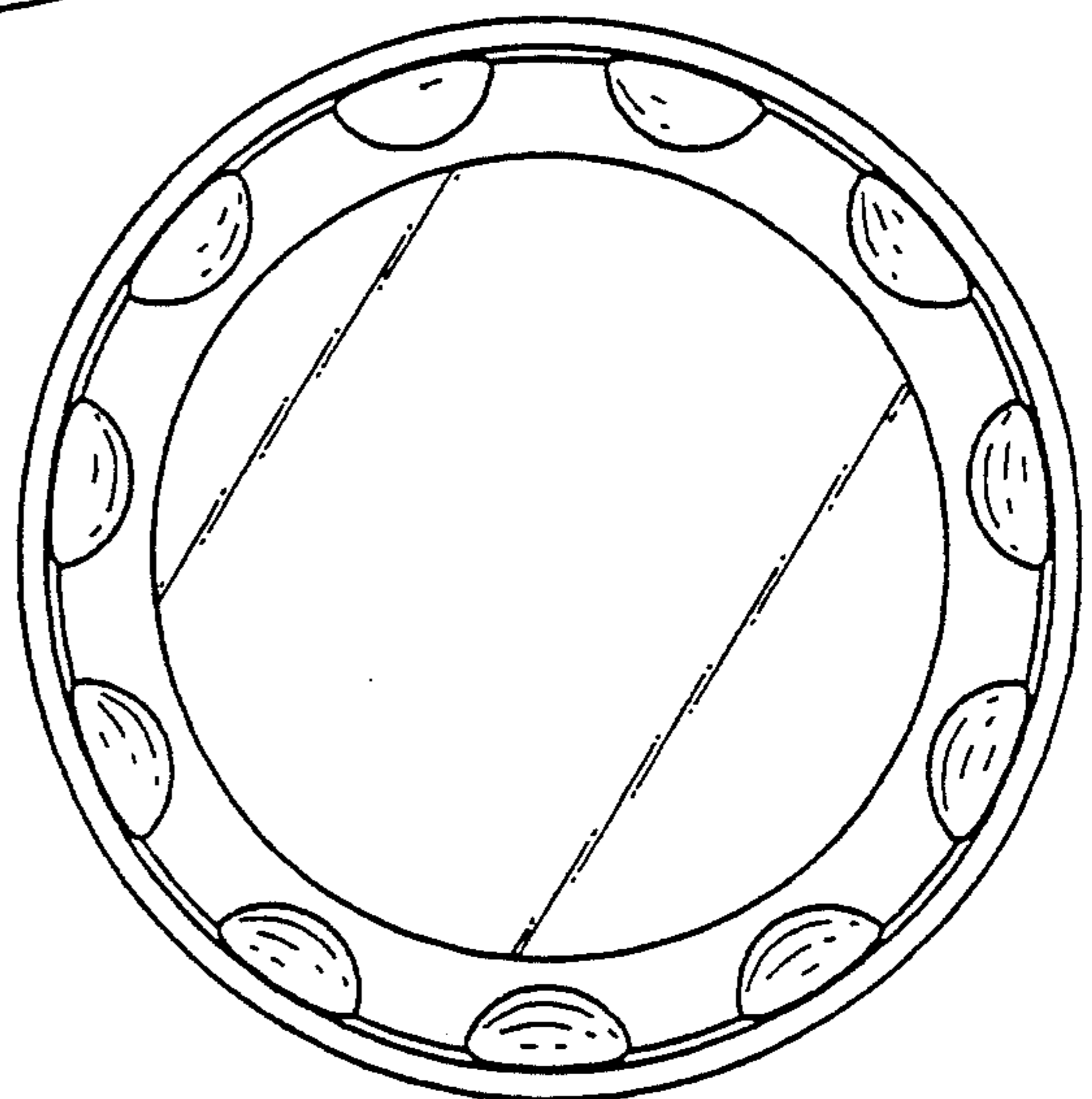


Fig. 1

Fig. 2



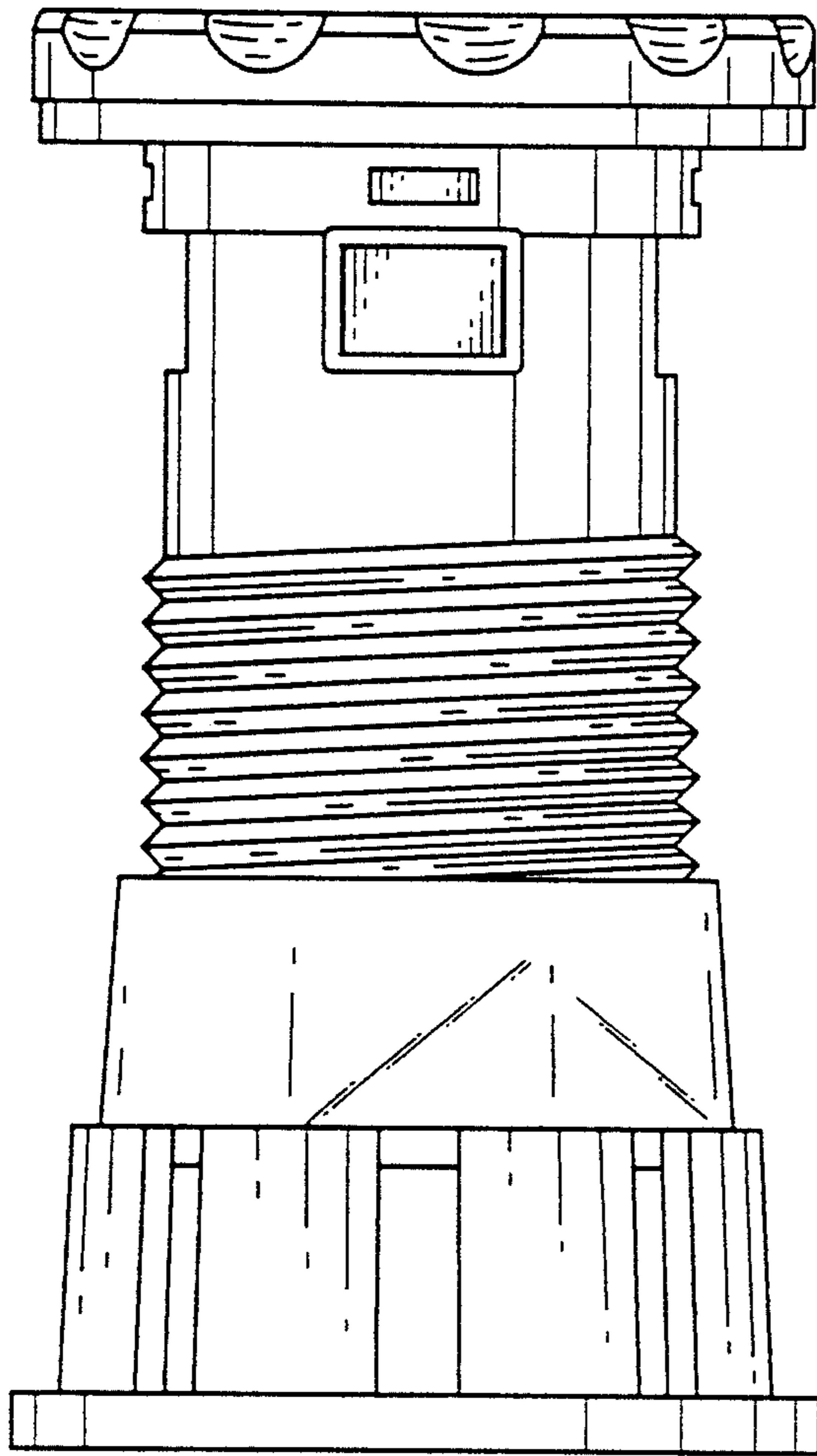


Fig. 4

Fig. 5

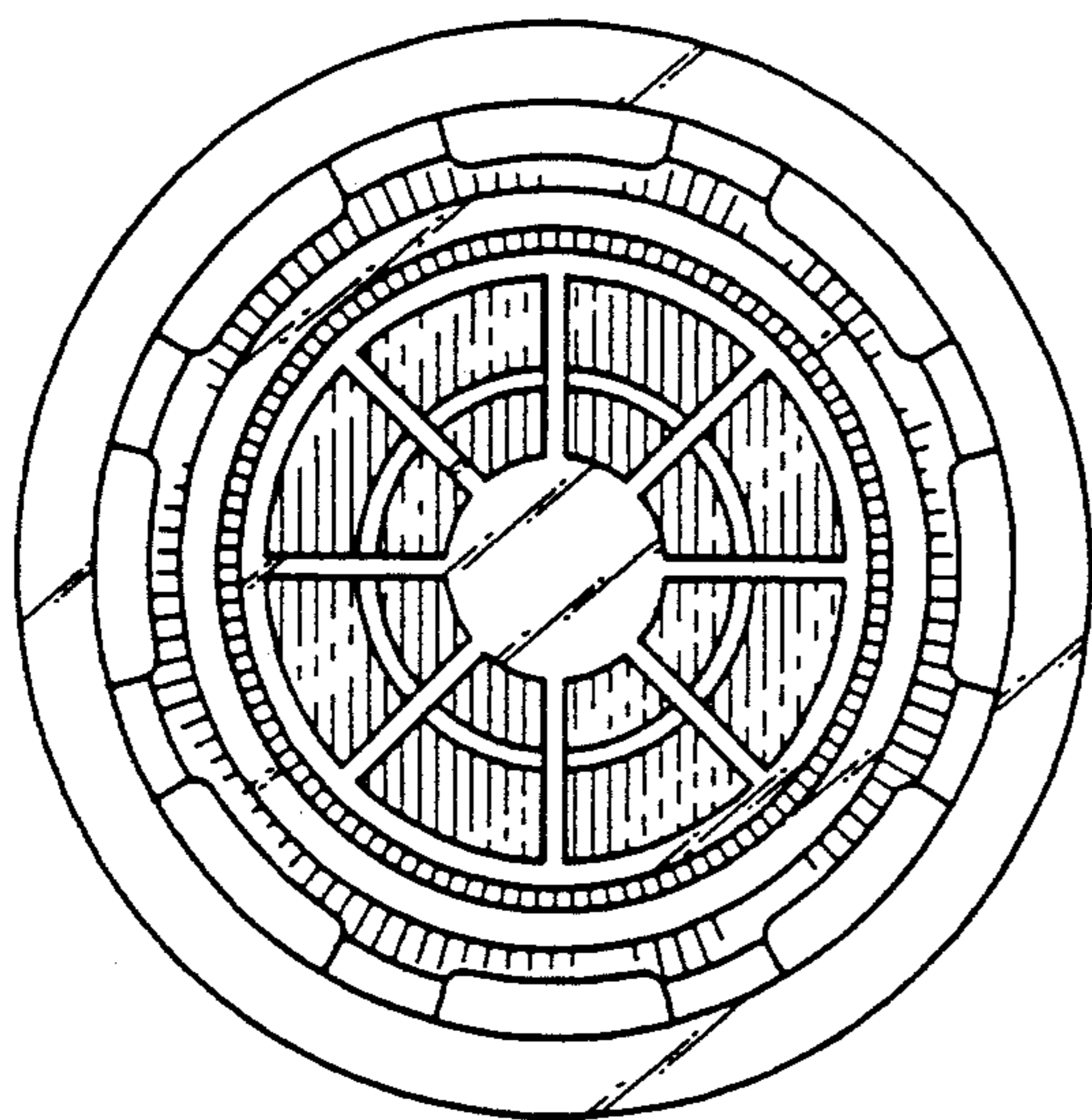
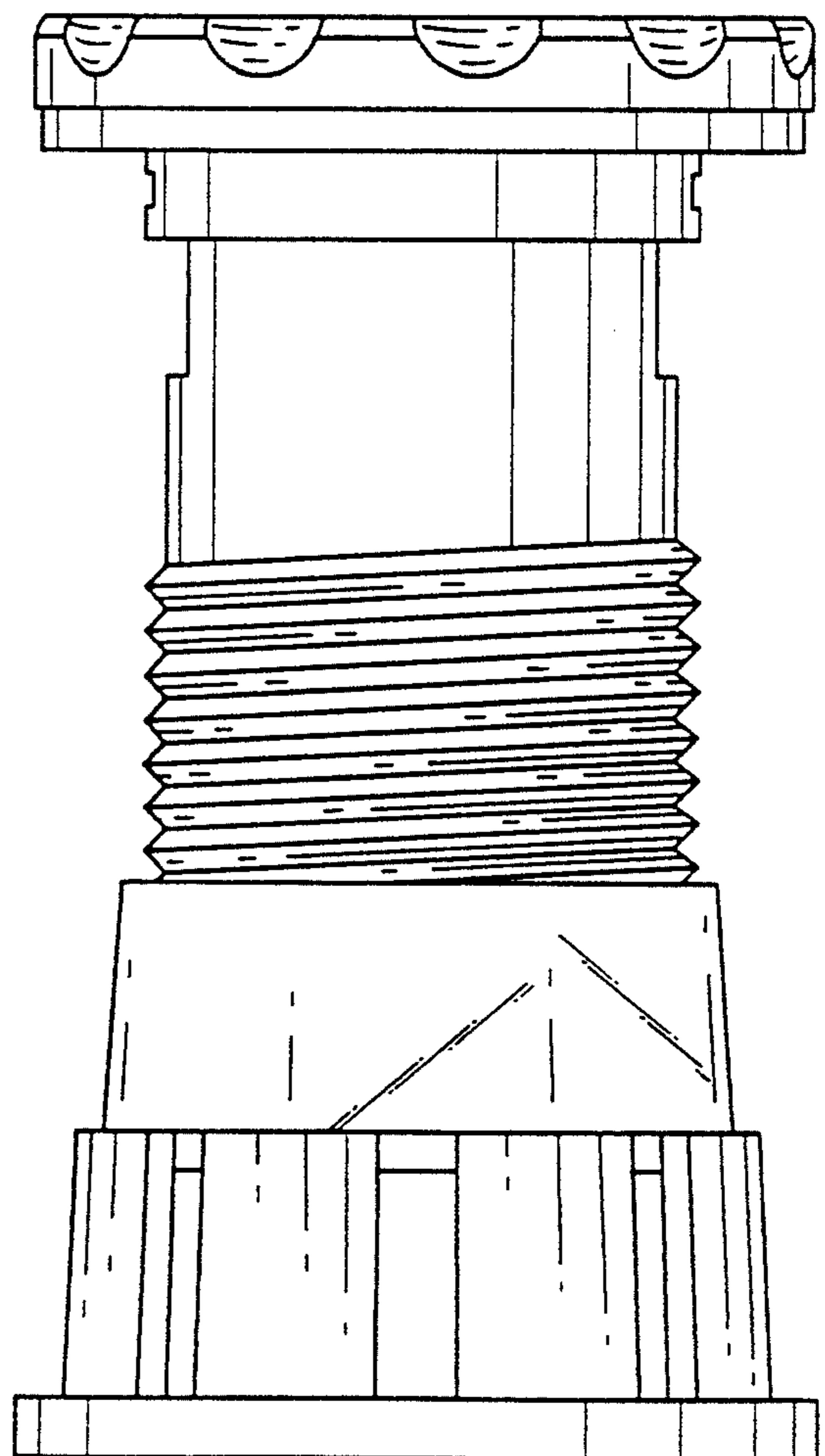


Fig. 3

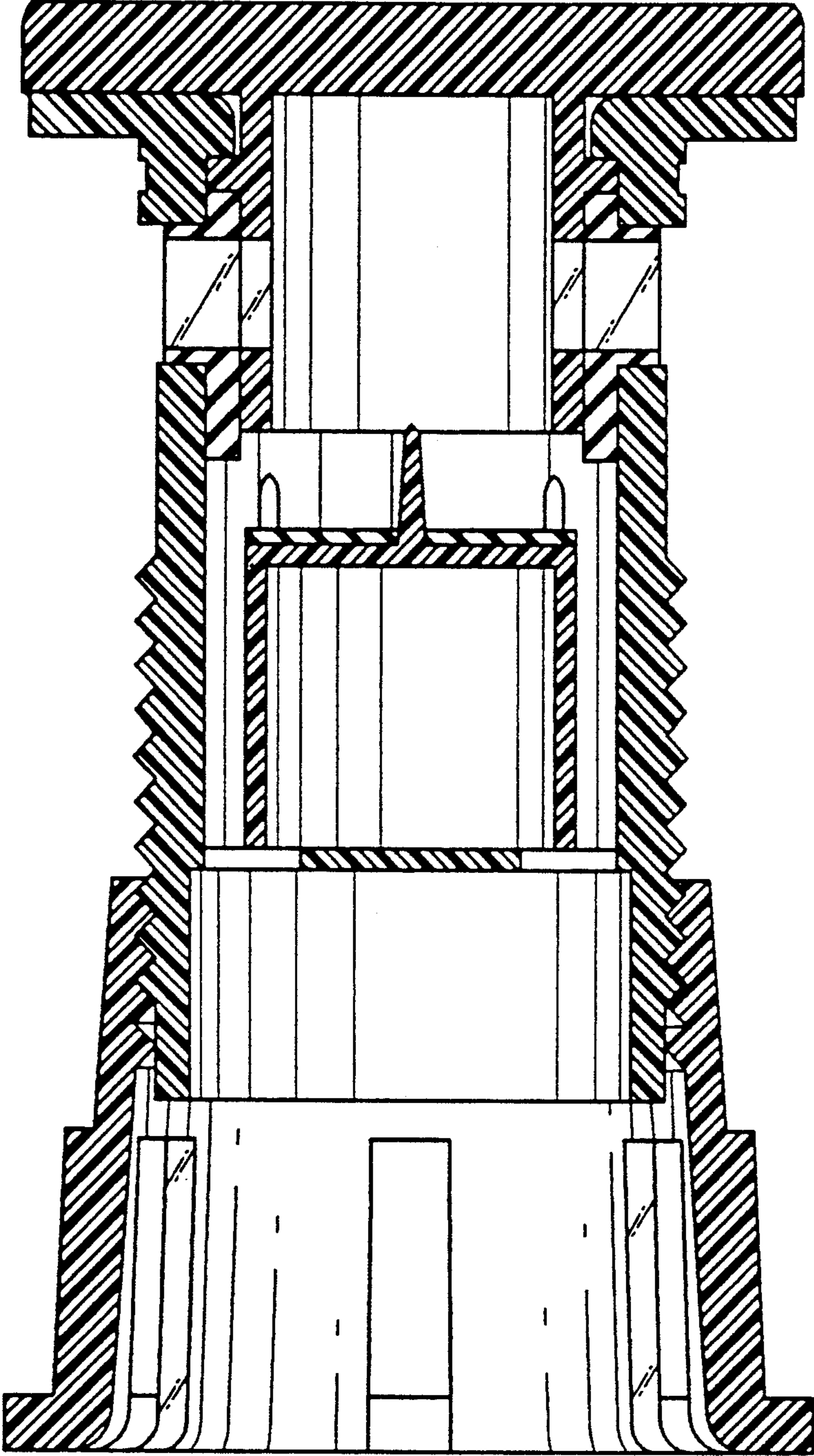


Fig. 6