



US00D348921S

United States Patent [19]

[11] Patent Number: **Des. 348,921**

Strand et al.

[45] Date of Patent: **** Jul. 19, 1994**

- [54] **COMBINED WATER FILTER, FLOW REGULATOR AND SHOWER HEAD**
- [75] Inventors: **Charles D. Strand, Bedford; Anthony B. Meehon, Arlington, both of Tex.**
- [73] Assignee: **International Purity Corporation, Arlington, Tex.**
- [**] Term: **14 Years**
- [21] Appl. No.: **893,510**
- [22] Filed: **Jun. 4, 1992**
- [52] U.S. Cl. **D23/228; D23/209**
- [58] Field of Search 210/97, 198.1, 205-206, 210/231, 244-246, 257.1-257.2, 258, 260.1, 275, 282, 287-290, 295, 321.6, 321.78, 348, 416.3; 4/567-570, 596, 599-603, 615, 675-678; D23/207-210, 213, 223, 228

- D. 274,168 6/1984 Whedon et al. D23/213
- D. 316,136 4/1991 Underwood D23/209 X
- D. 326,896 6/1992 McNeely D23/213 X
- 3,014,667 12/1961 McLean et al. D23/213 X
- 4,389,931 6/1983 La Freniere 210/198.1
- 4,842,729 6/1989 Buchan 210/198.1

Primary Examiner—Wallace R. Burke
Assistant Examiner—M. H. Tung
Attorney, Agent, or Firm—Daniel V. Thompson

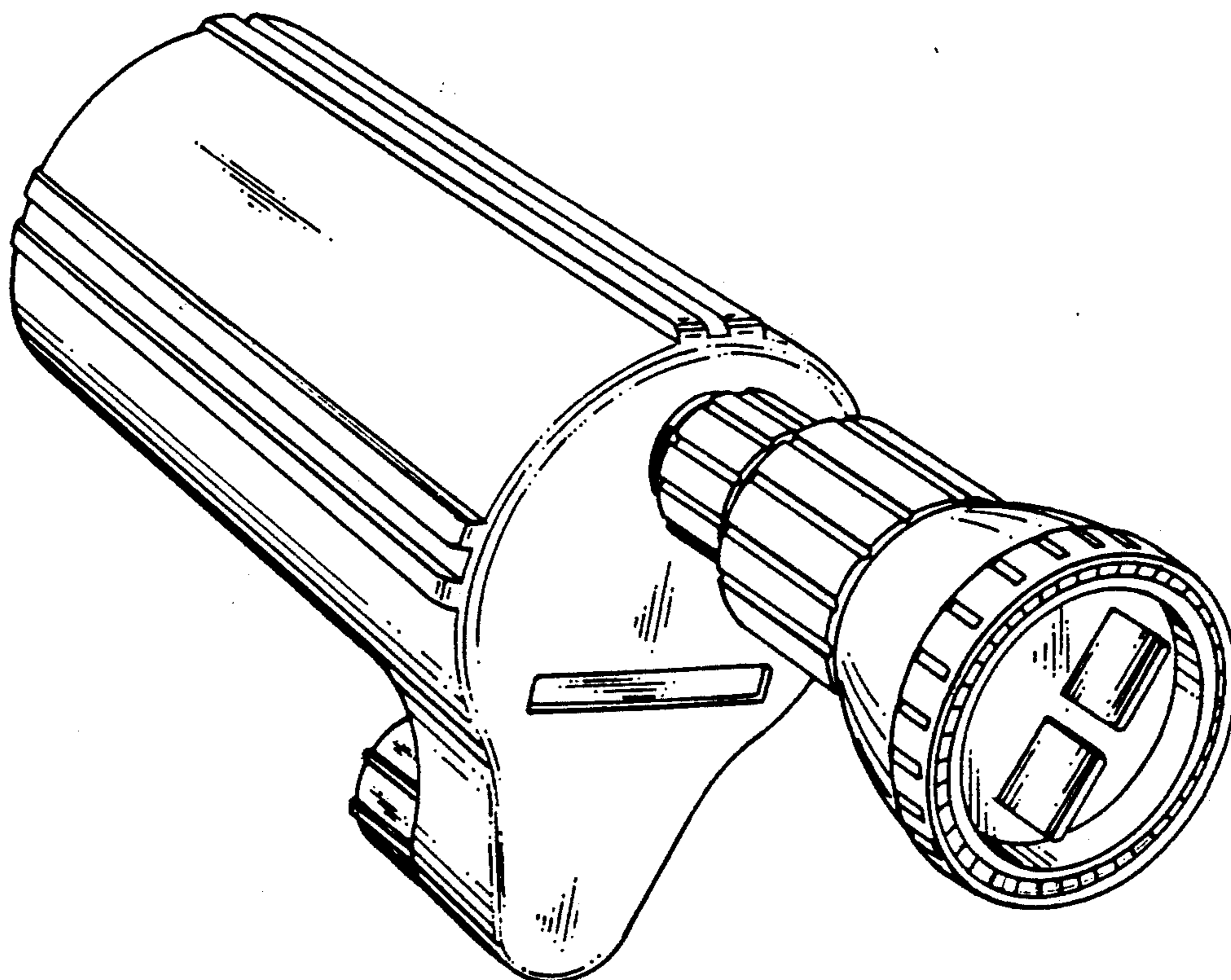
[57] CLAIM

The ornamental design for a combined water filter, flow regulator and shower head, as shown and described.

DESCRIPTION

FIG. 1 is a perspective view of our new design for a combined water filter, flow regulator and shower head; FIG. 2 is a right side elevation view thereof, the left side elevation view being a mirror image; FIG. 3 is a front end elevation view thereof; FIG. 4 is a rear end elevation view thereof; FIG. 5 is a top plan view thereof; and, FIG. 6 is a bottom plan view thereof.

- [56] **References Cited**
U.S. PATENT DOCUMENTS
D. 188,645 8/1960 Kohler D23/213



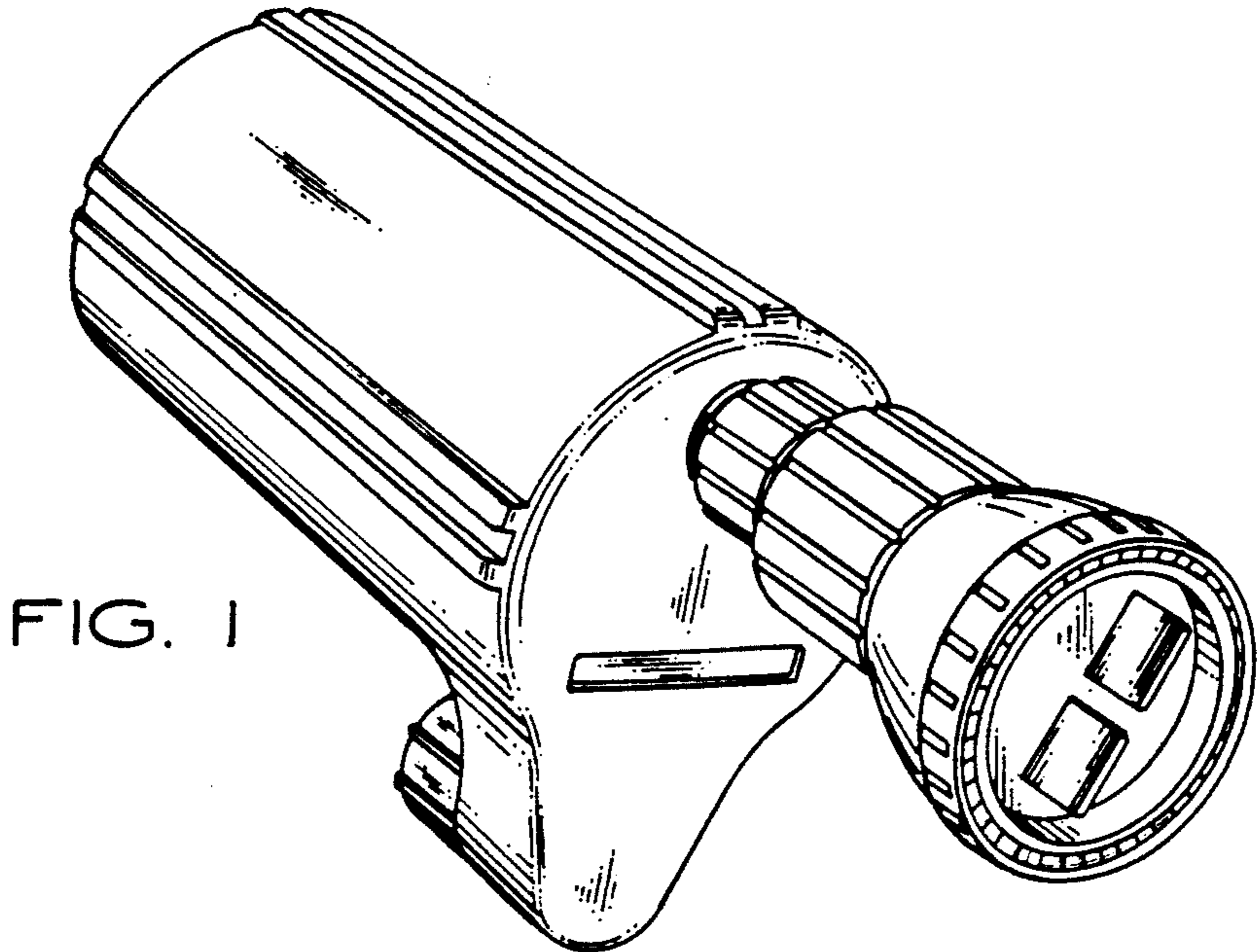


FIG. 1

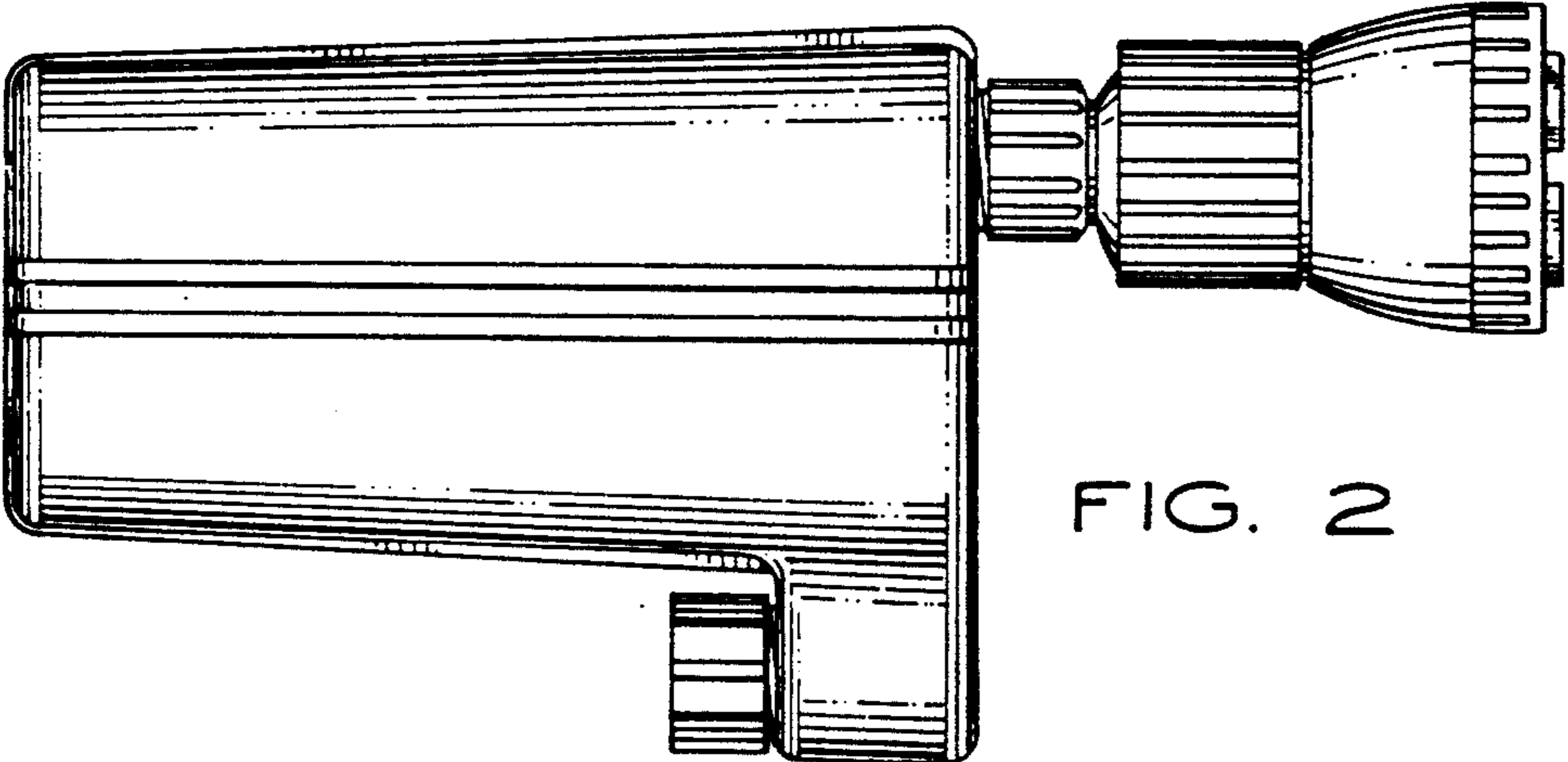


FIG. 2

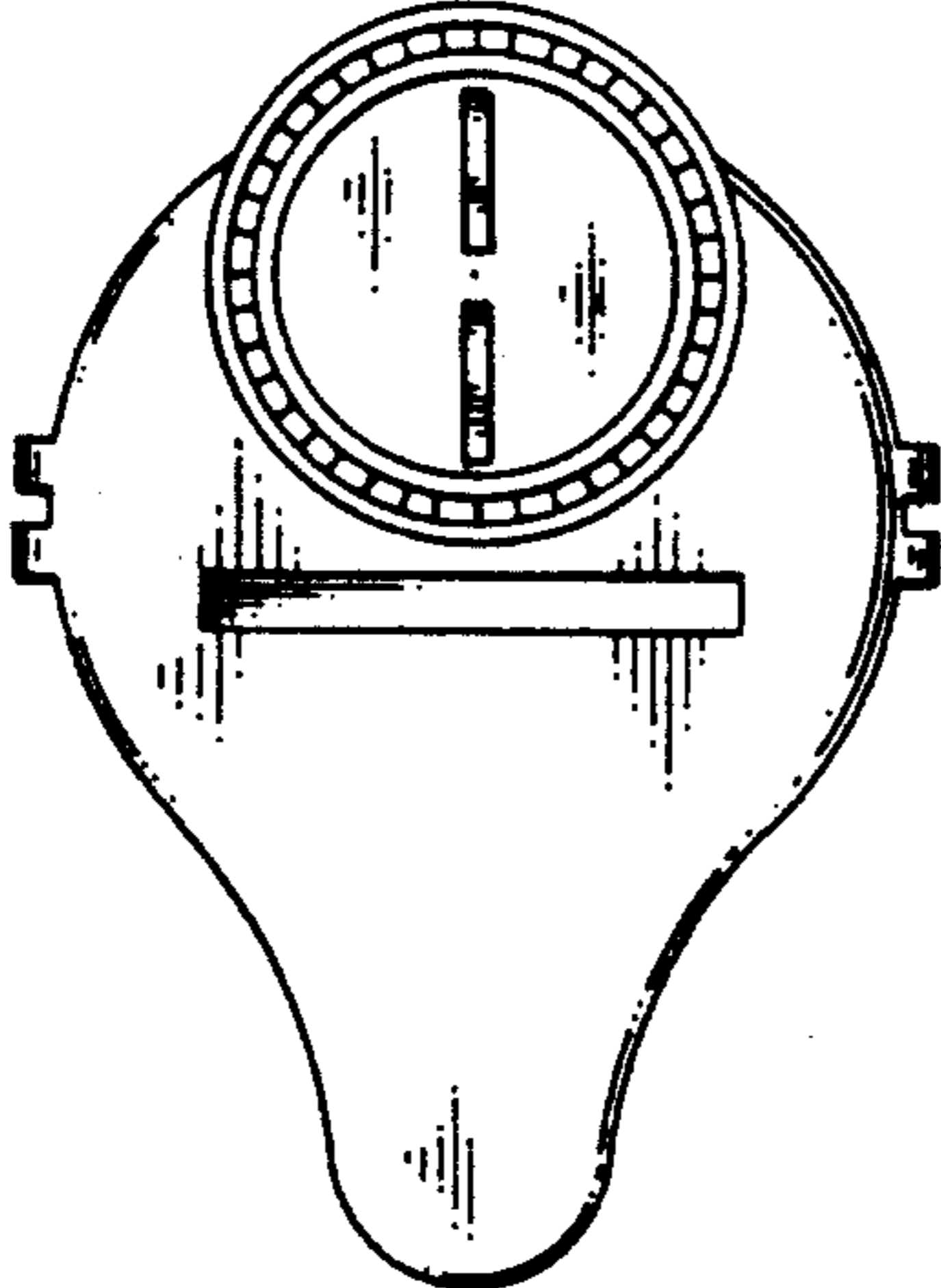


FIG. 3

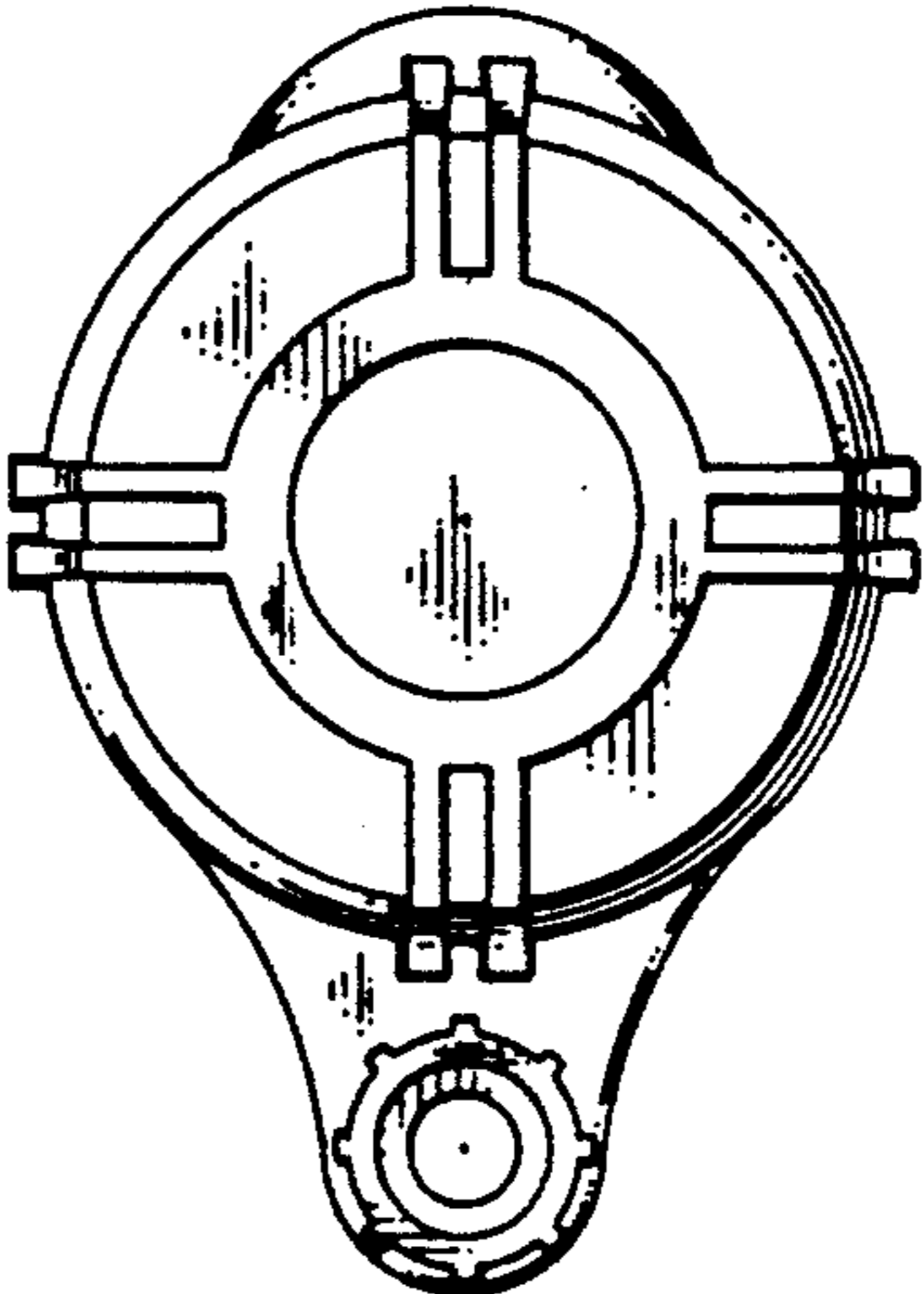


FIG. 4

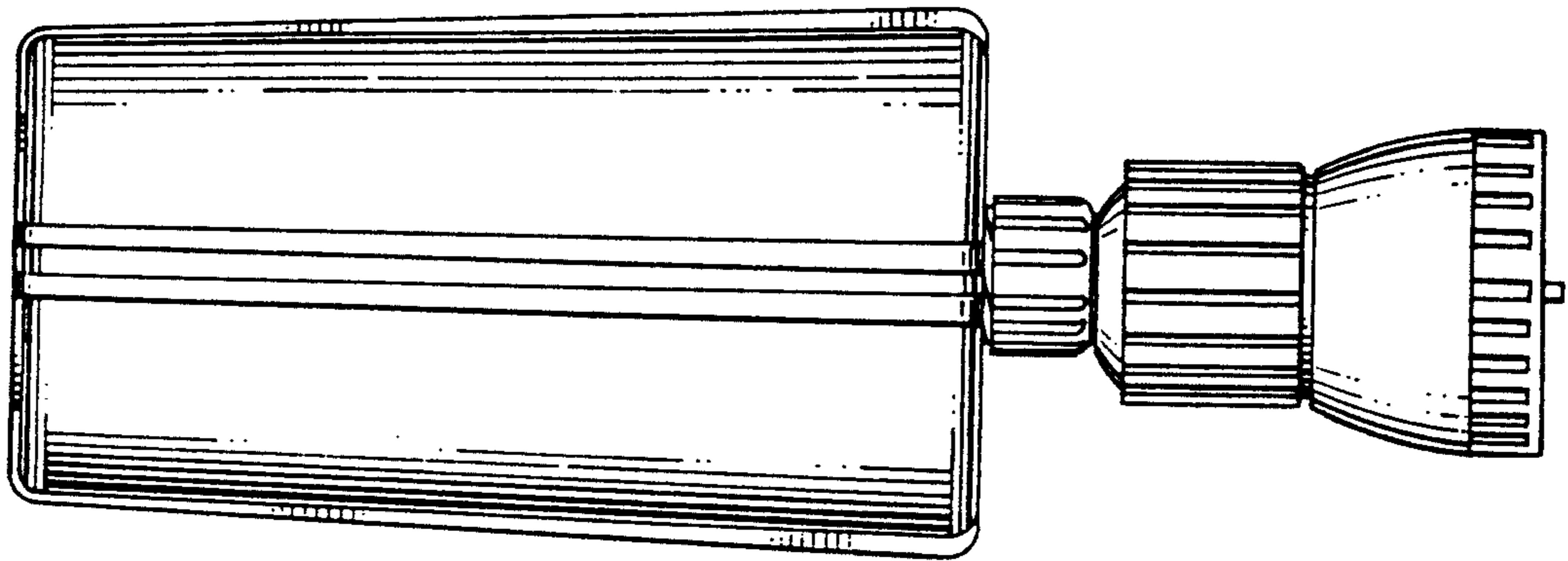


FIG. 5

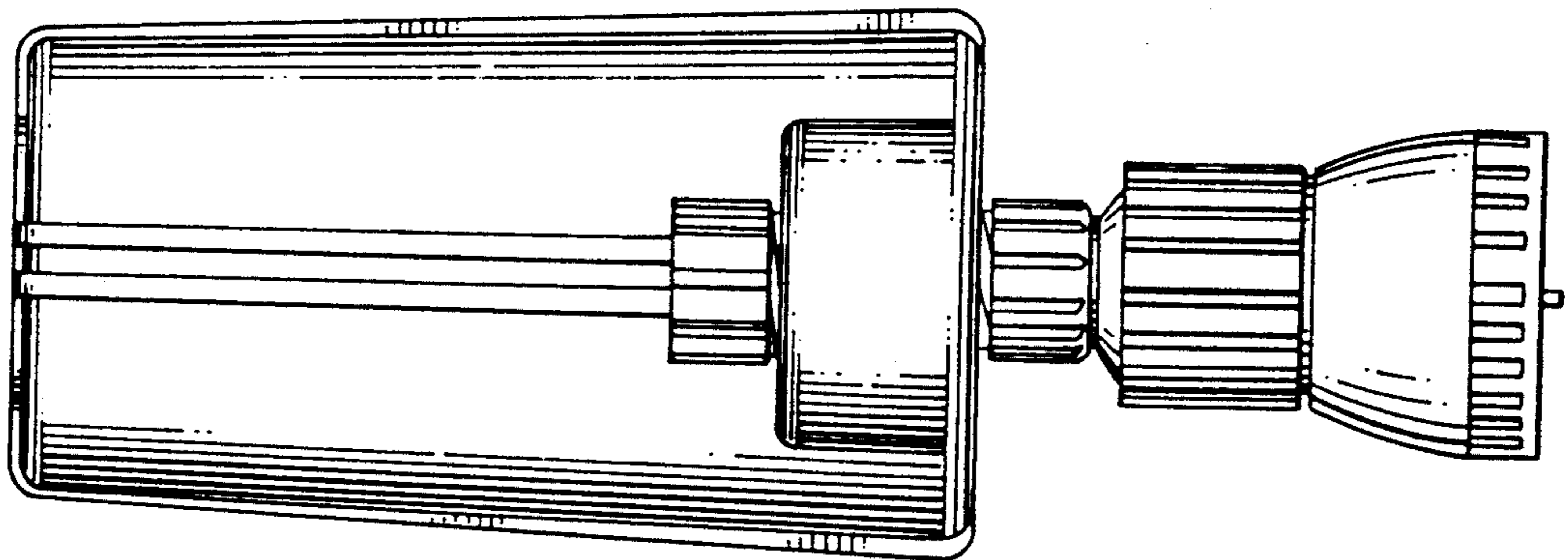


FIG. 6