



US00D348920S

United States Patent [19]

[11] Patent Number: Des. 348,920

Shero

[45] Date of Patent: ** Jul. 19, 1994

[54] **CARPET CLEANER SOLUTION RESERVOIR**

[57] **CLAIM**

[76] Inventor: **William K. Shero**, 96 Ironweed, Pueblo, Colo. 81001

The ornamental design for a carpet cleaner solution reservoir, as shown and described.

[**] Term: **14 Years**

DESCRIPTION

[21] Appl. No.: **1,449**

FIG. 1 is a front perspective view of a carpet cleaner solution reservoir of the present invention showing my new design;

[22] Filed: **Nov. 12, 1992**

FIG. 2 is a rear perspective view thereof;

[52] U.S. Cl. **D23/202; D32/30**

FIG. 3 is a front elevational view thereof with the phantom lines depicting solely environmental structure and forming no part of the claimed design;

[58] Field of Search **15/320-321, 15/3.5, 344; 137/259, 265; 239/302, 308, 310; D32/1, 4, 15-17, 19; D23/223, 225, 226, 202; D15/7-9**

FIG. 4 is a top plan view thereof;

FIG. 5 is an end view thereof;

FIG. 6 is a bottom plan view thereof;

FIG. 7 is a rear elevational view thereof;

[56] **References Cited**

U.S. PATENT DOCUMENTS

- D. 251,674 4/1979 Sayward D23/202
- D. 262,373 12/1981 Chambers D32/15
- D. 293,262 12/1987 Sayward D23/202
- D. 293,705 1/1988 Sayward D23/202
- D. 295,442 4/1988 Witte D23/225
- D. 314,646 2/1991 Brookman D32/1
- D. 340,556 10/1993 Berfield et al. D32/1

FIG. 8 is a front perspective view of a second embodiment of the carpet cleaner solution reservoir of the present invention showing my new design;

FIG. 9 is a rear perspective view thereof;

FIG. 10 is a front elevational view thereof with the phantom lines depicting solely environmental structure and forming no part of the claimed design;

FIG. 11 is a top plan view thereof;

FIG. 12 is an end view thereof;

FIG. 13 is a bottom plan view thereof; and,

FIG. 14 is a rear elevational view thereof.

Primary Examiner—Ruth McInroy
Attorney, Agent, or Firm—Stetina and Brunda

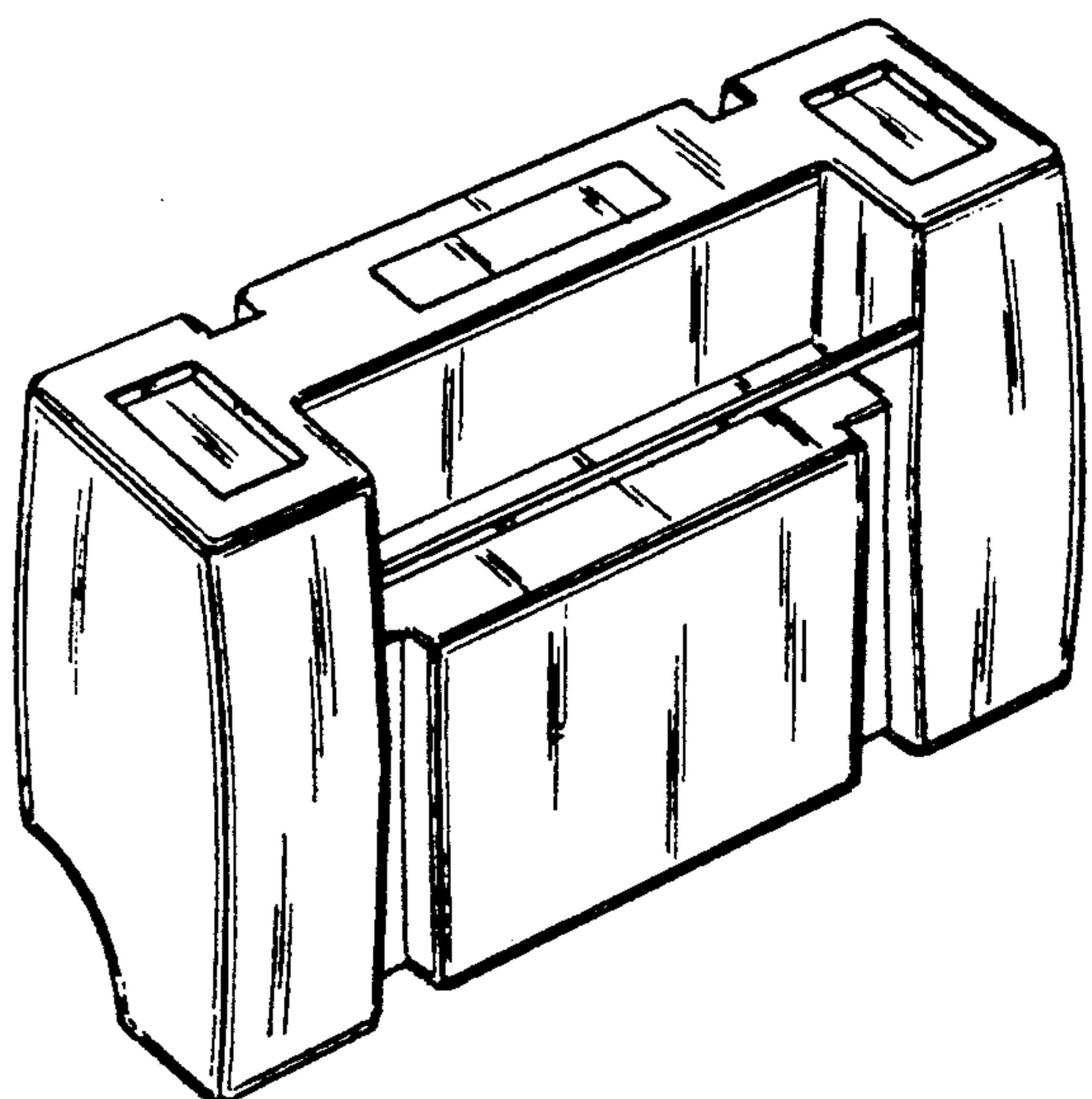
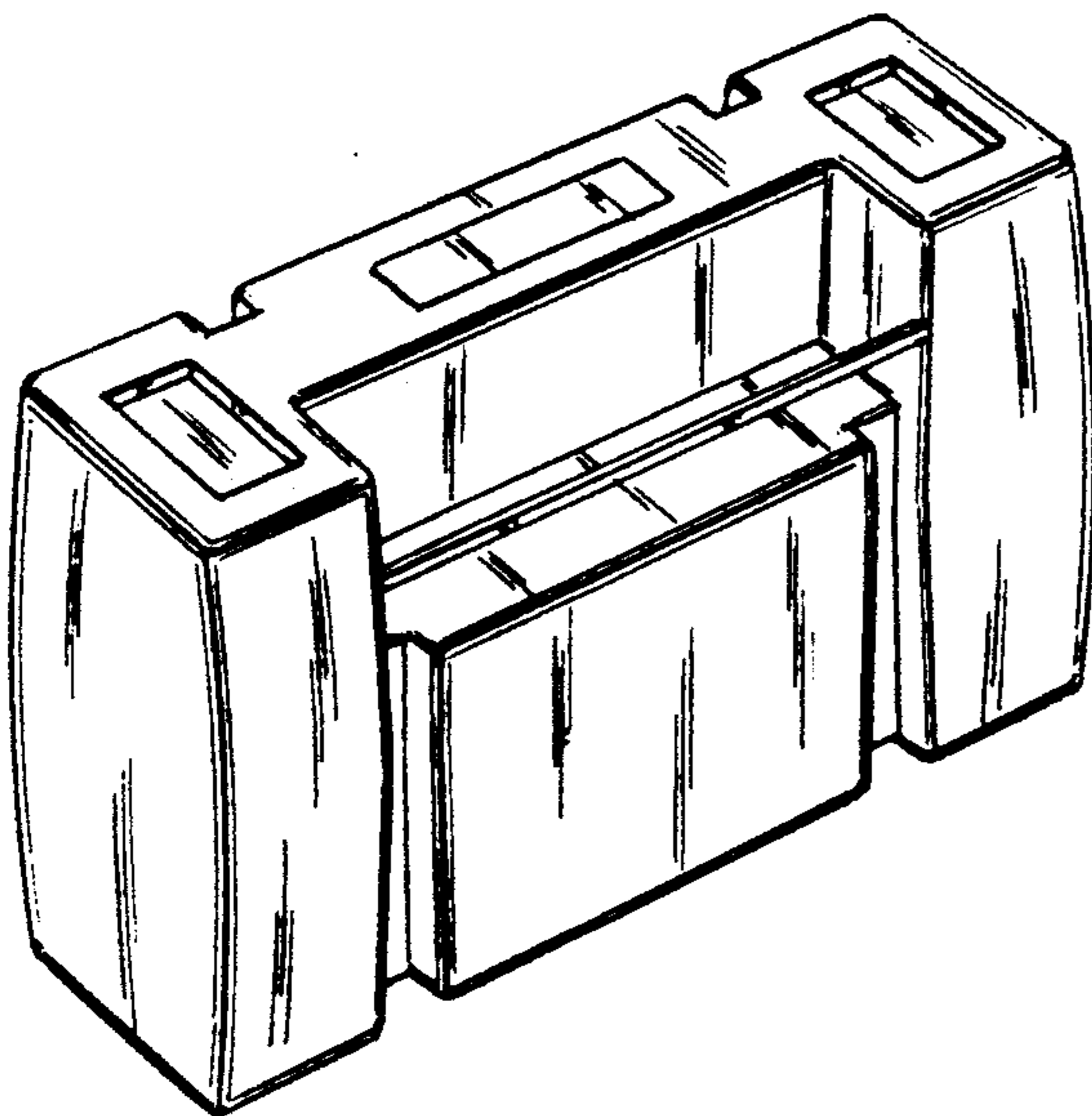


Fig. 1

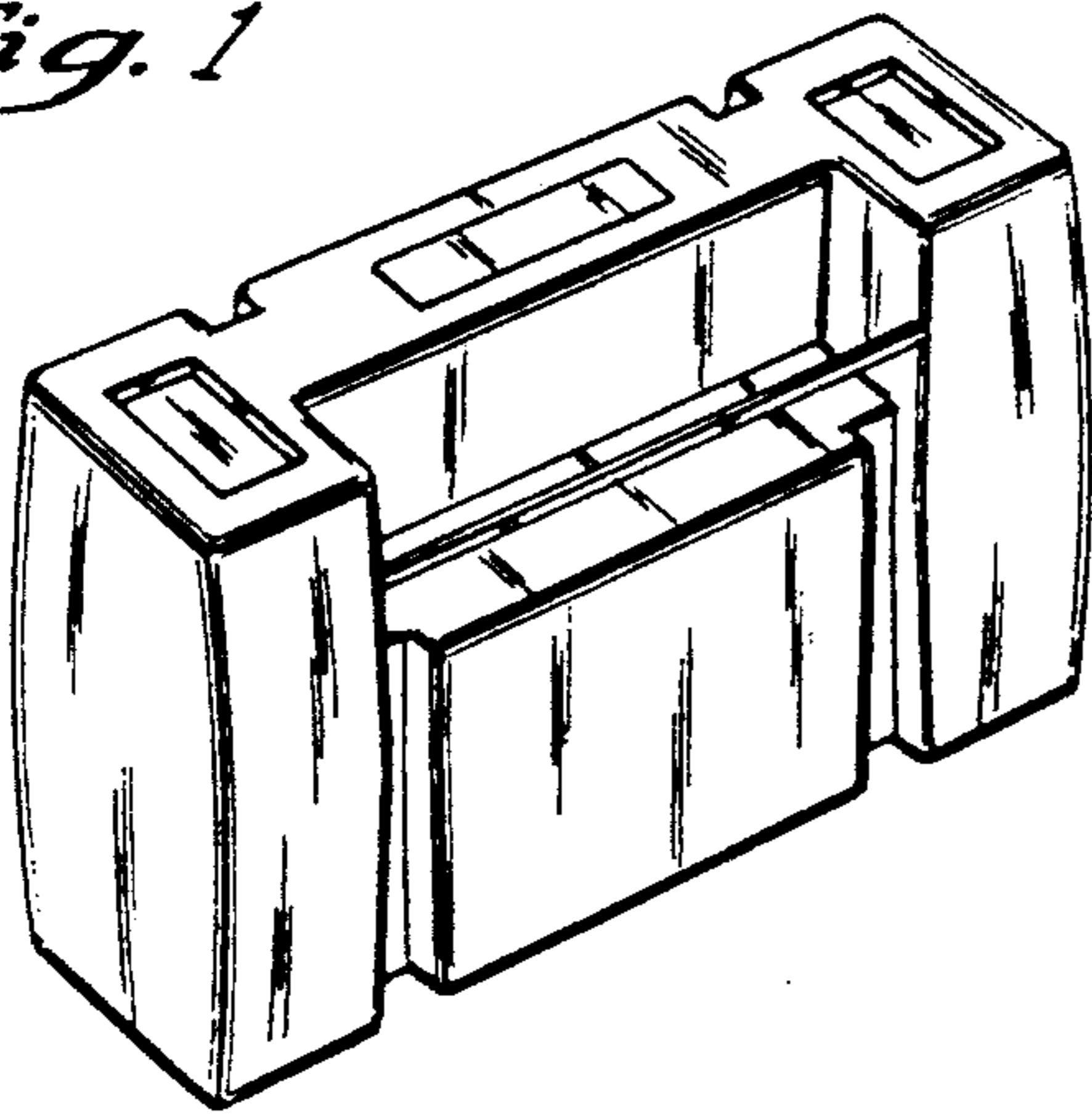


Fig. 2

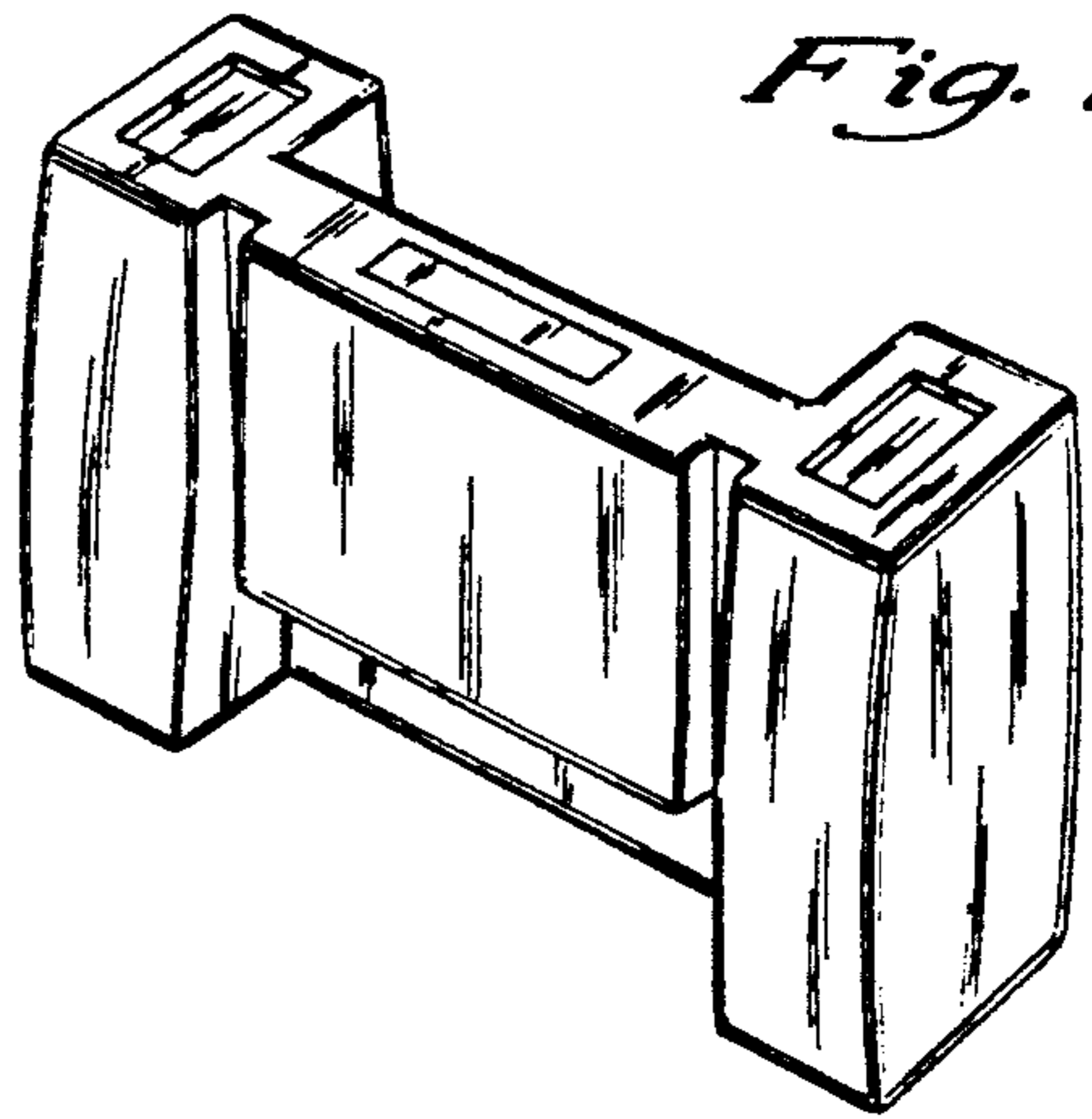


Fig. 4

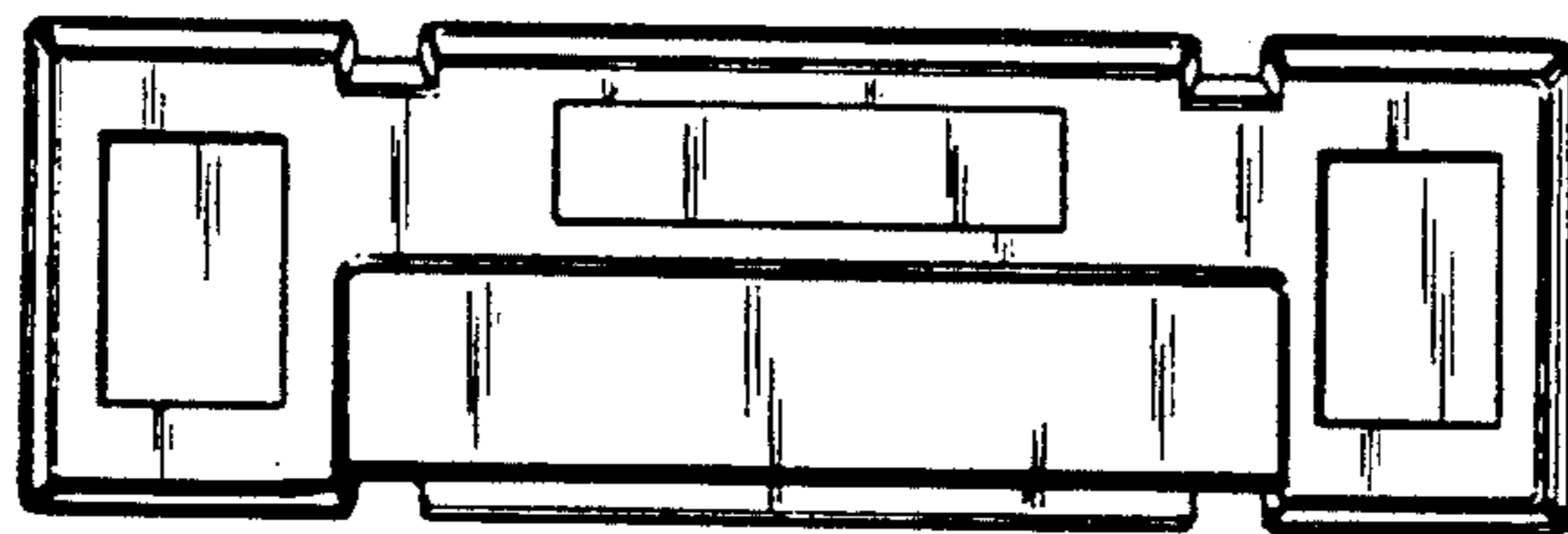


Fig. 3

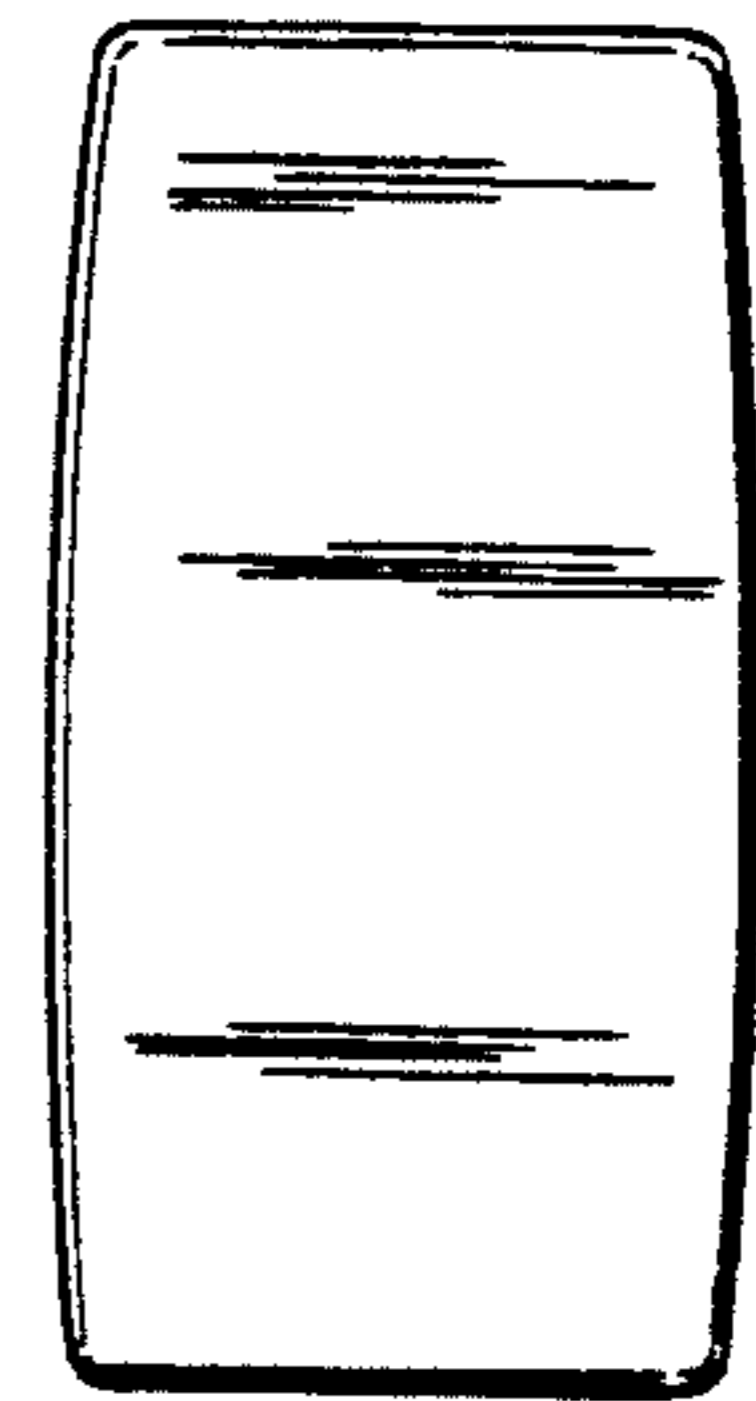
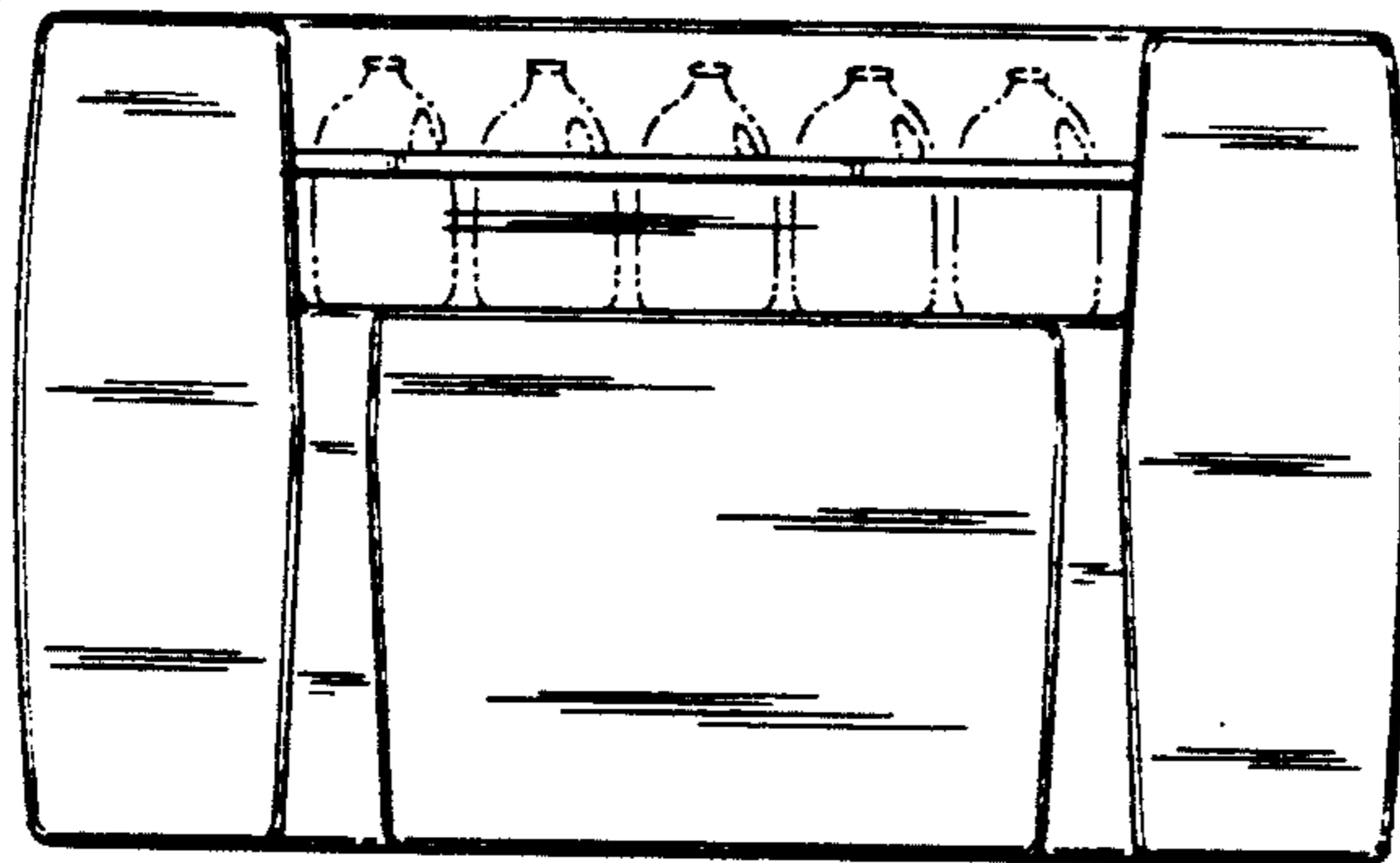


Fig. 5

Fig. 6

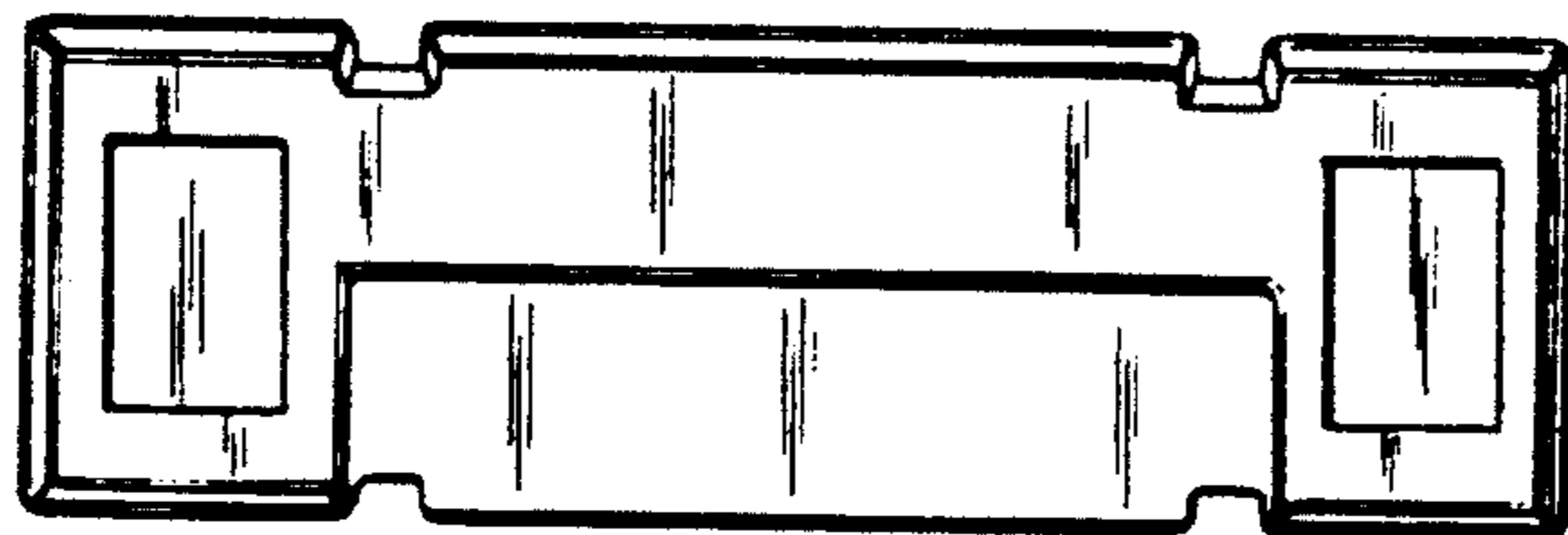


Fig. 7

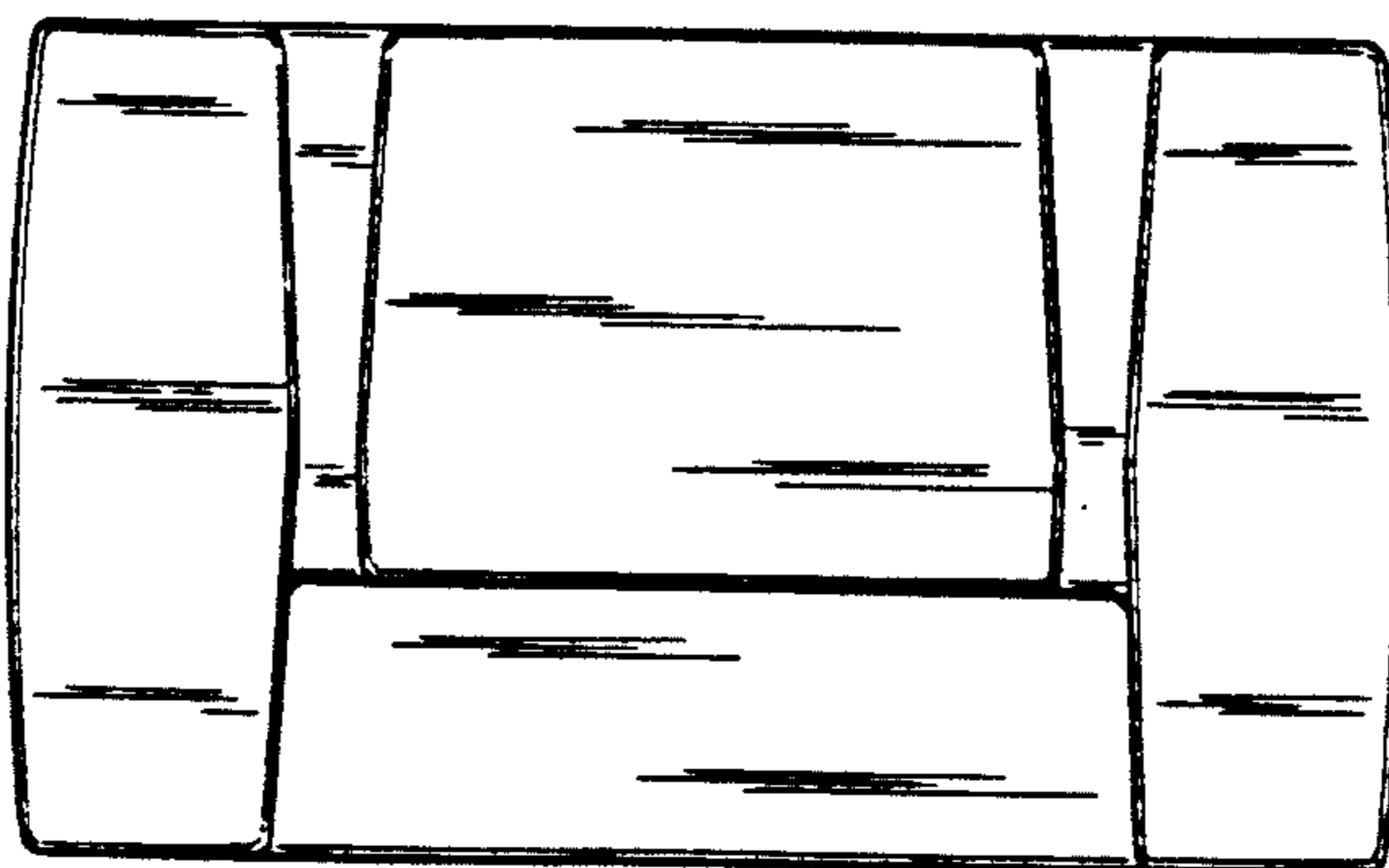


Fig. 8

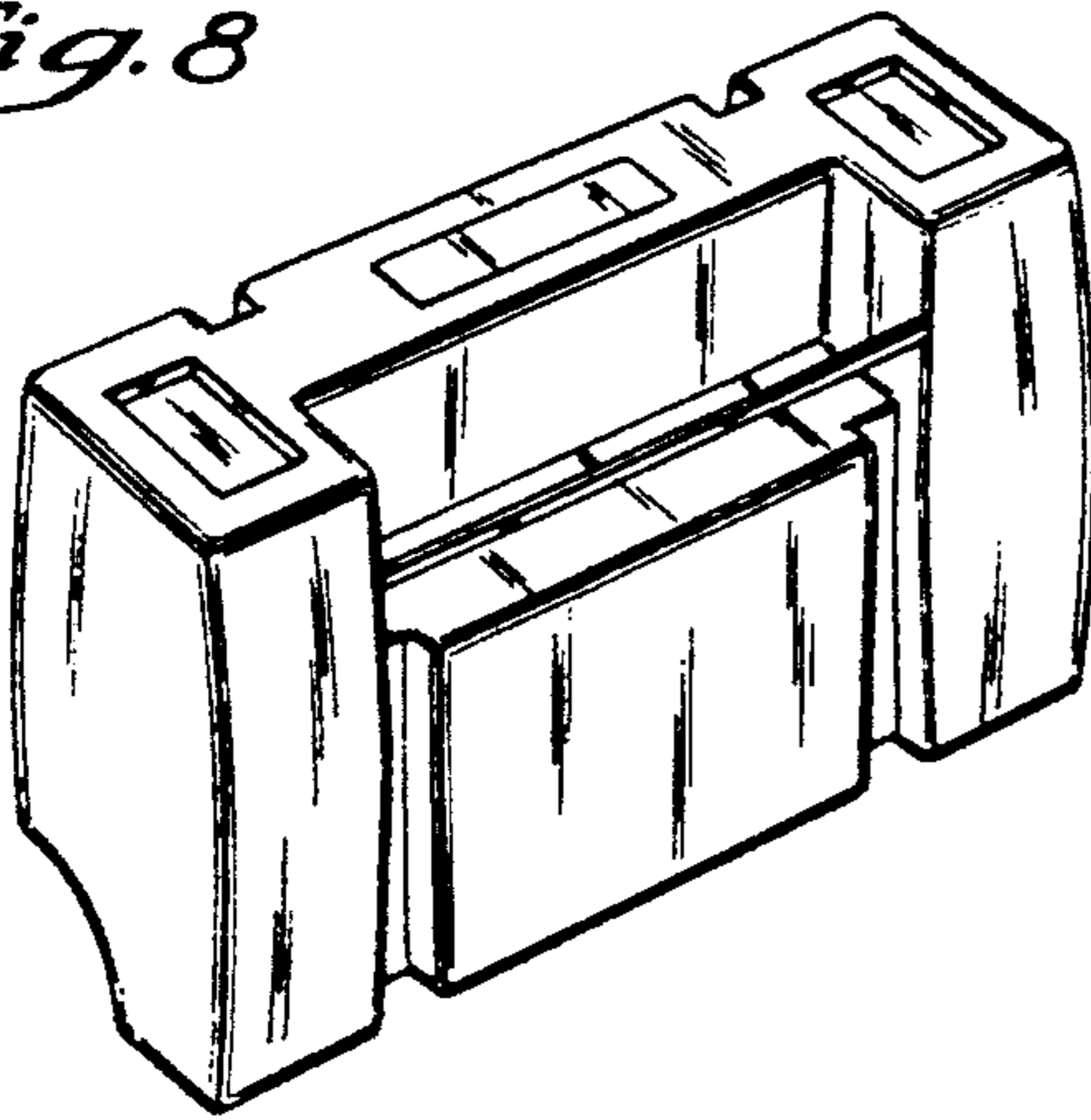


Fig. 9

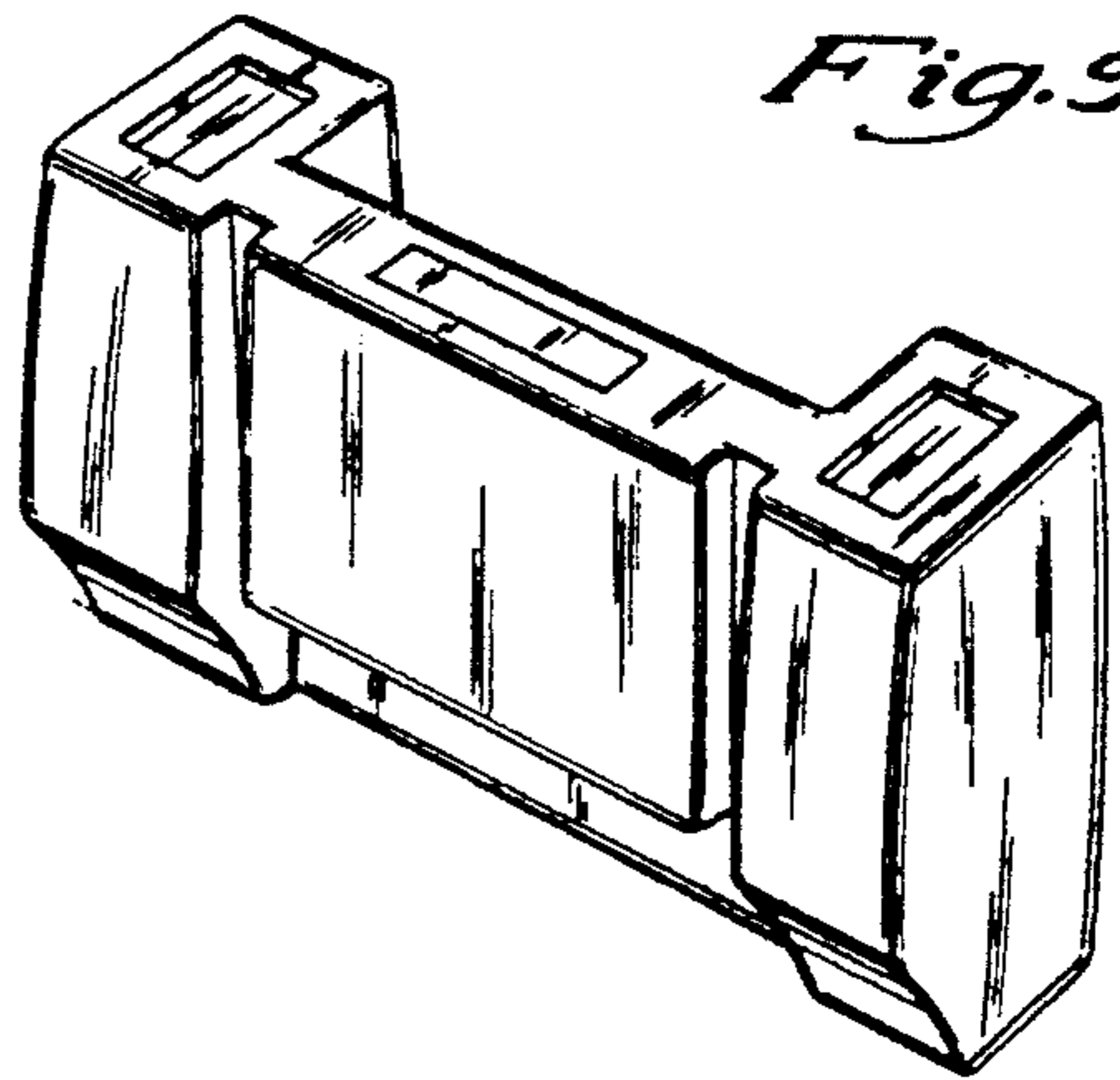


Fig. 11

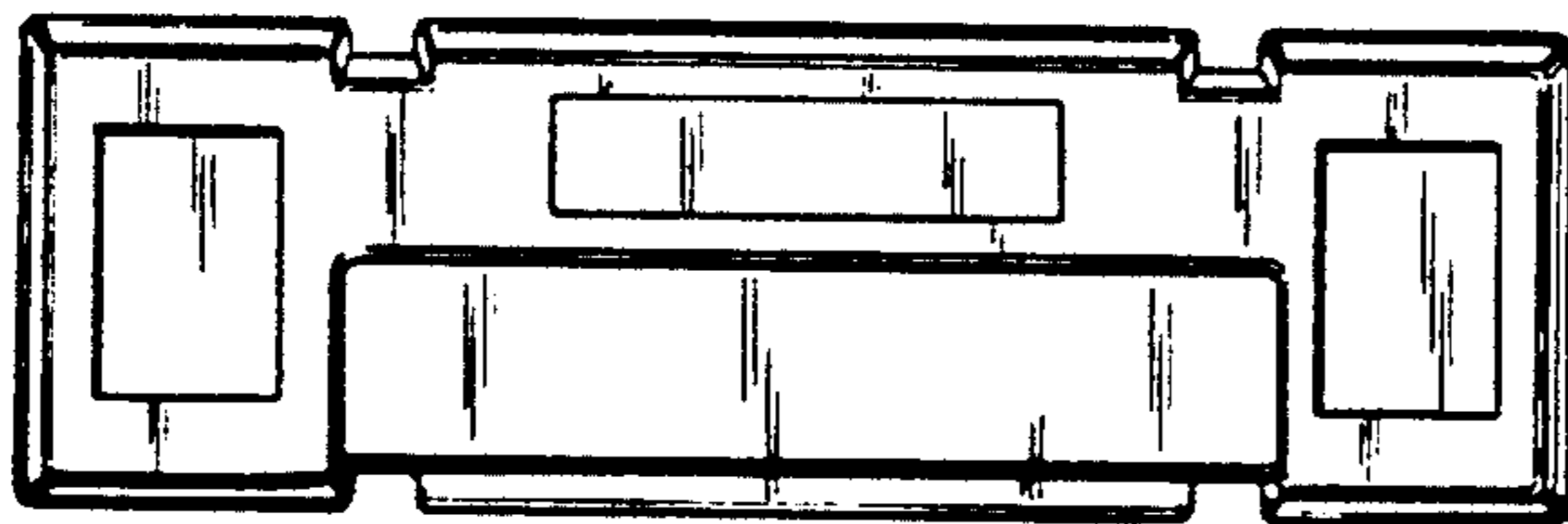


Fig. 10

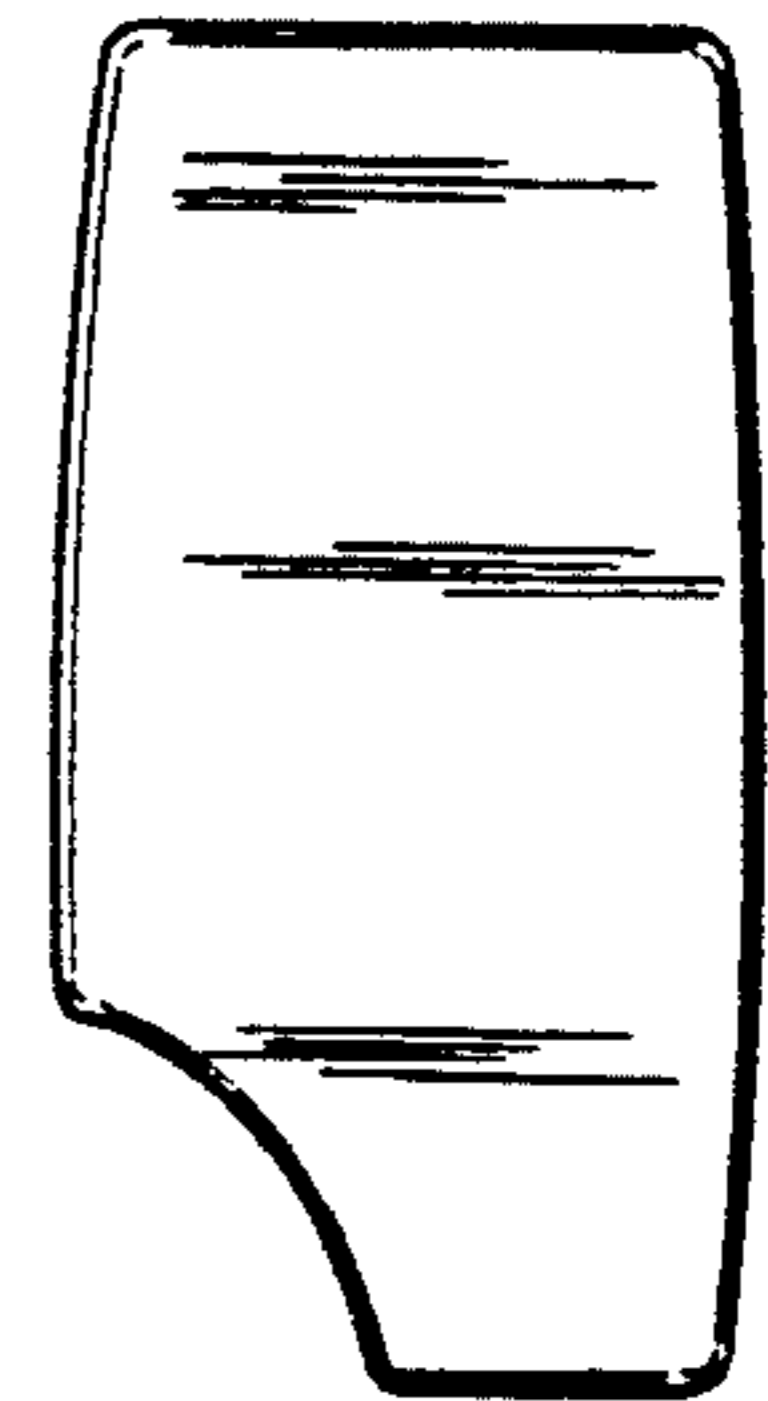
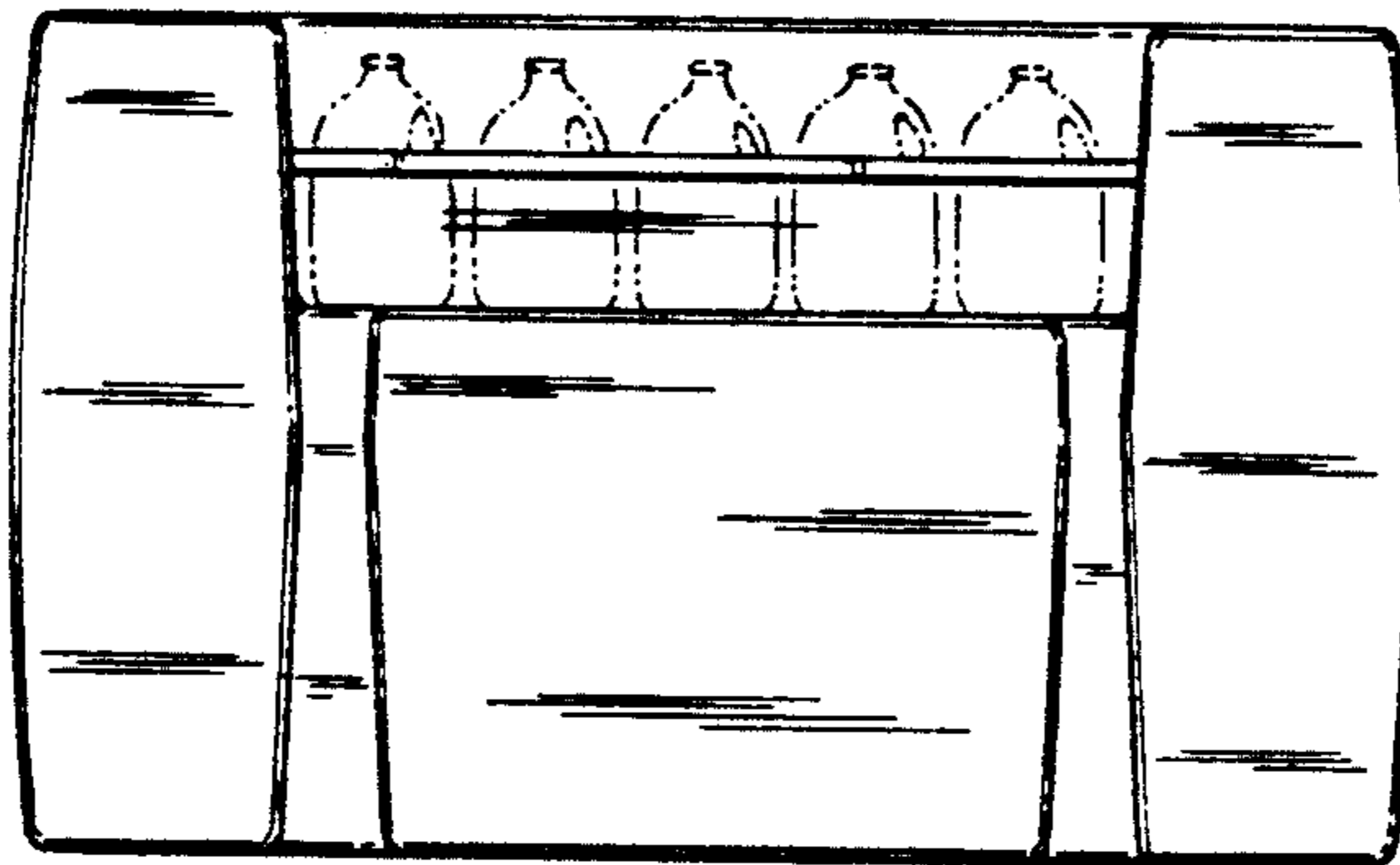


Fig. 12

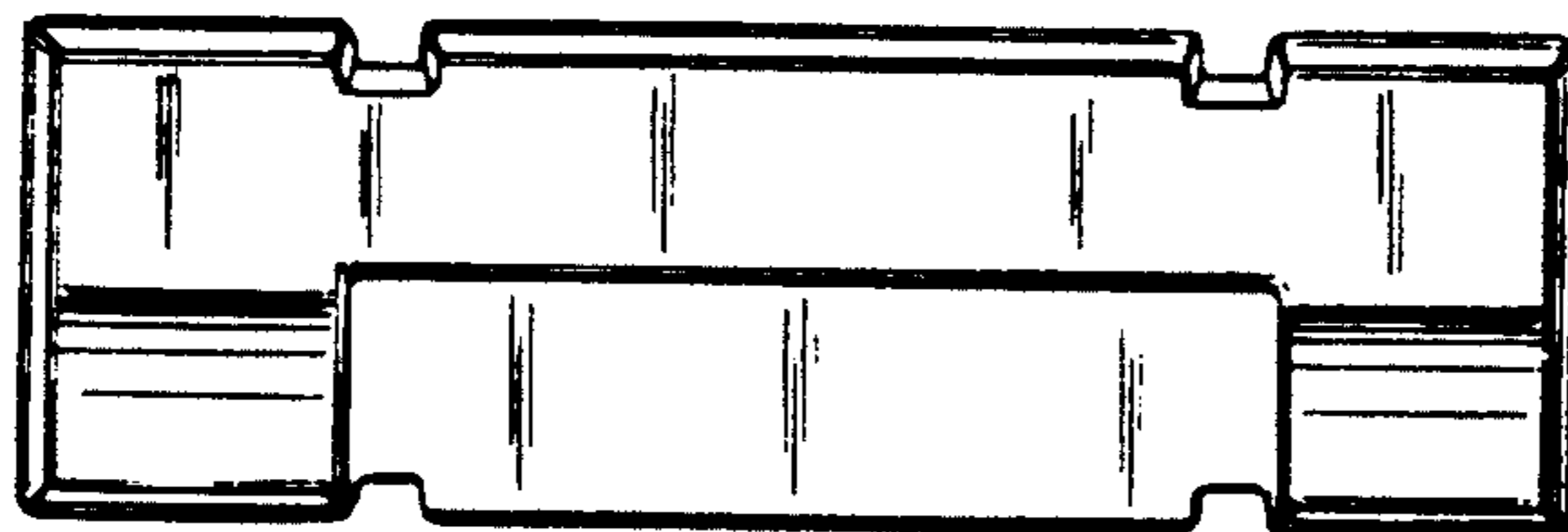


Fig. 13

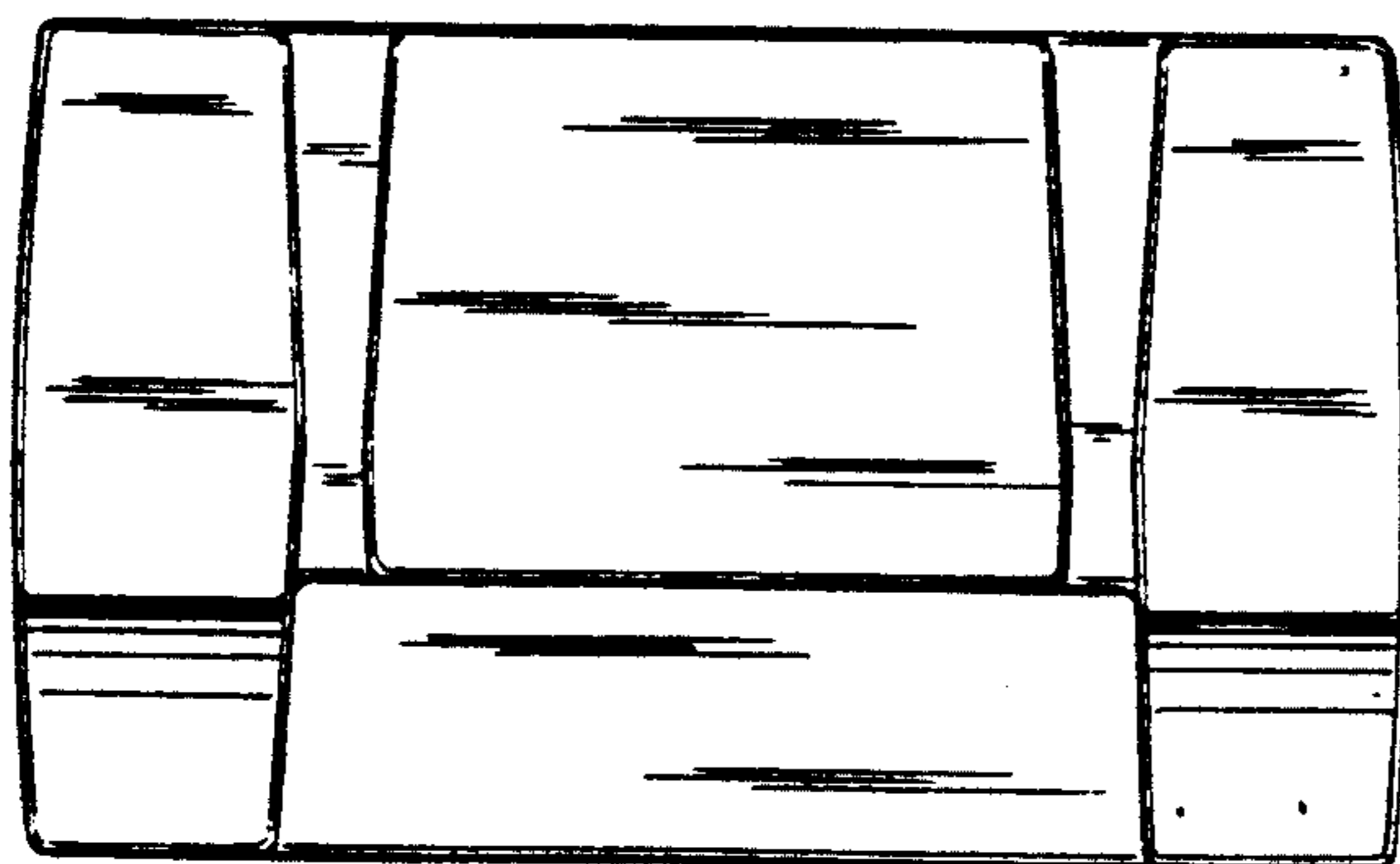


Fig. 14