



US00D348919S

United States Patent [19]

[11] Patent Number: **Des. 348,919**

Sato et al.

[45] Date of Patent: **** Jul. 19, 1994**

[54] **FISHING REEL**

[75] Inventors: **Jun Sato; Seiji Myojo**, both of Sakai, Japan

[73] Assignee: **Shimano Inc.**, Osaka, Japan

[**] Term: **14 Years**

[21] Appl. No.: **736,136**

[22] Filed: **Jul. 26, 1991**

[30] **Foreign Application Priority Data**

Feb. 5, 1991 [JP] Japan 3-2839

Feb. 5, 1991 [JP] Japan 3-2840

[52] U.S. Cl. **D22/140**

[58] Field of Search 242/223, 224, 236, 238, 242/257-262, 279, 264, 268, 311, 312, 288; D22/140, 141

[56] **References Cited**

U.S. PATENT DOCUMENTS

- D. 105,616 8/1937 Schafer D22/140
- D. 236,827 9/1975 Tufvesson D22/140
- D. 256,494 8/1980 Okada D22/140
- D. 273,218 3/1984 Atobe et al. D22/140
- D. 294,726 3/1988 Nakamura D22/140
- D. 299,509 1/1989 Iinuma et al. D22/140
- D. 302,843 8/1989 Myojo D22/140

D. 310,116 8/1990 Effinger D22/140
3,111,287 11/1963 Baenziger 242/236 X

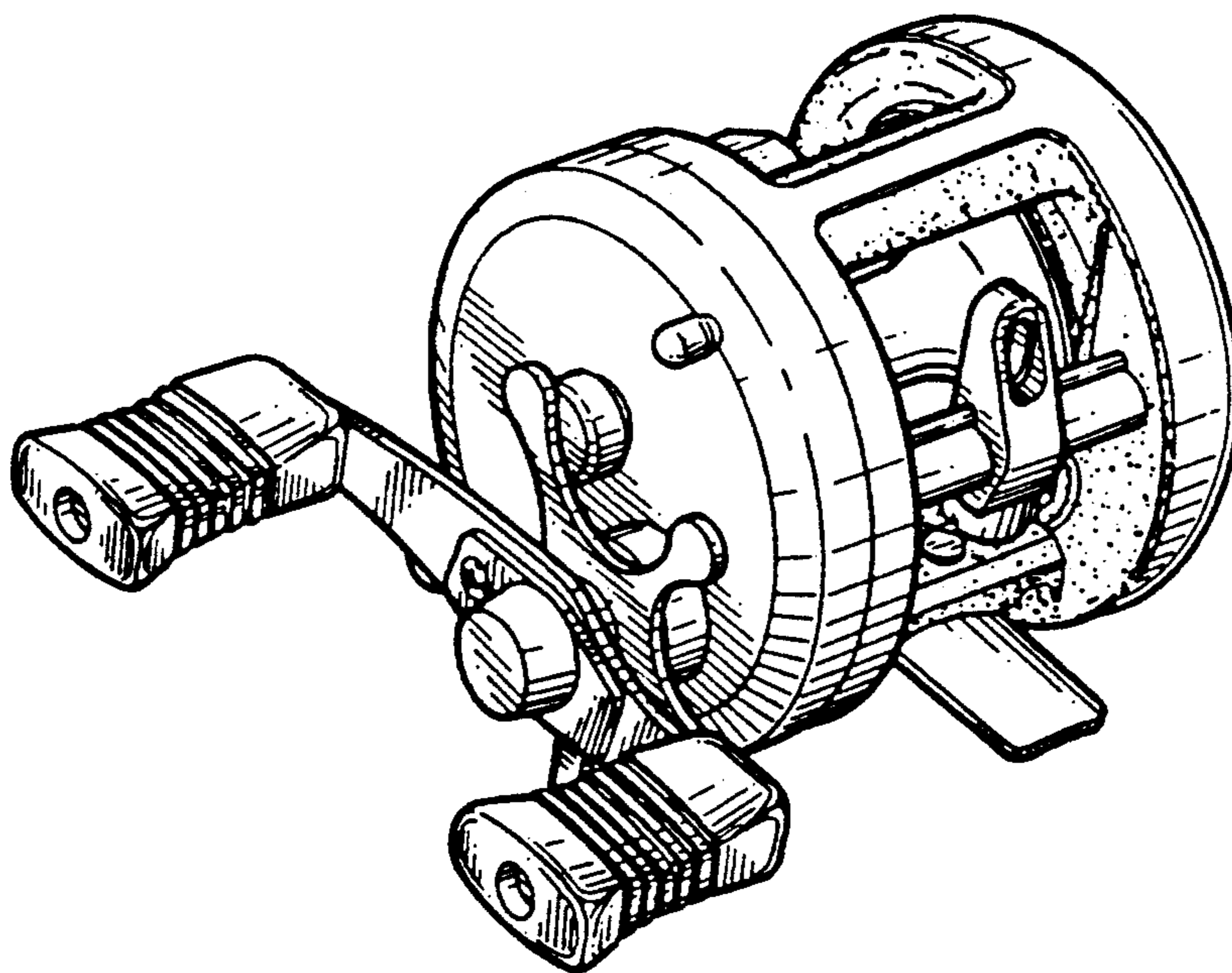
Primary Examiner—A. Hugo Word
Assistant Examiner—Doris V. Coles
Attorney, Agent, or Firm—Dickstein, Shapiro & Morin

[57] **CLAIM**

The ornamental design for a fishing reel, as shown and described.

DESCRIPTION

FIG. 1 is a front elevational view of a fishing reel, showing our new design;
 FIG. 2 is a rear elevational view thereof;
 FIG. 3 is a left side elevational view thereof;
 FIG. 4 is a right side elevational view thereof;
 FIG. 5 is a top plan view thereof;
 FIG. 6 is a bottom plan view thereof;
 FIG. 7 is a perspective view thereof;
 FIG. 8 is a front elevational view of a second embodiment;
 FIG. 9 is a rear elevational view thereof;
 FIG. 10 is a left side elevational view thereof;
 FIG. 11 is a right side elevational view thereof;
 FIG. 12 is a top plan view thereof;
 FIG. 13 is a bottom plan view thereof; and,
 FIG. 14 is a perspective view thereof.



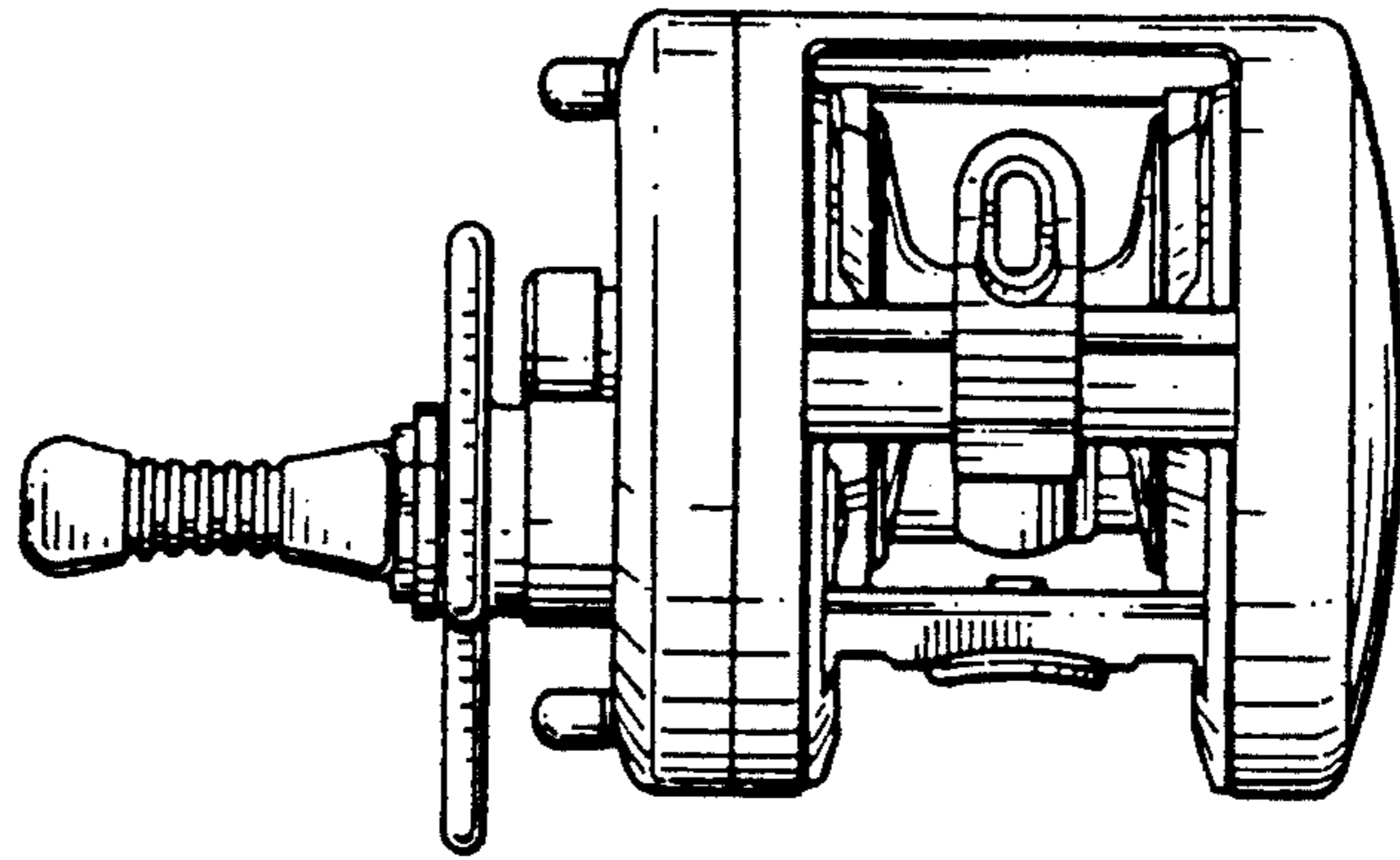


FIG. 1

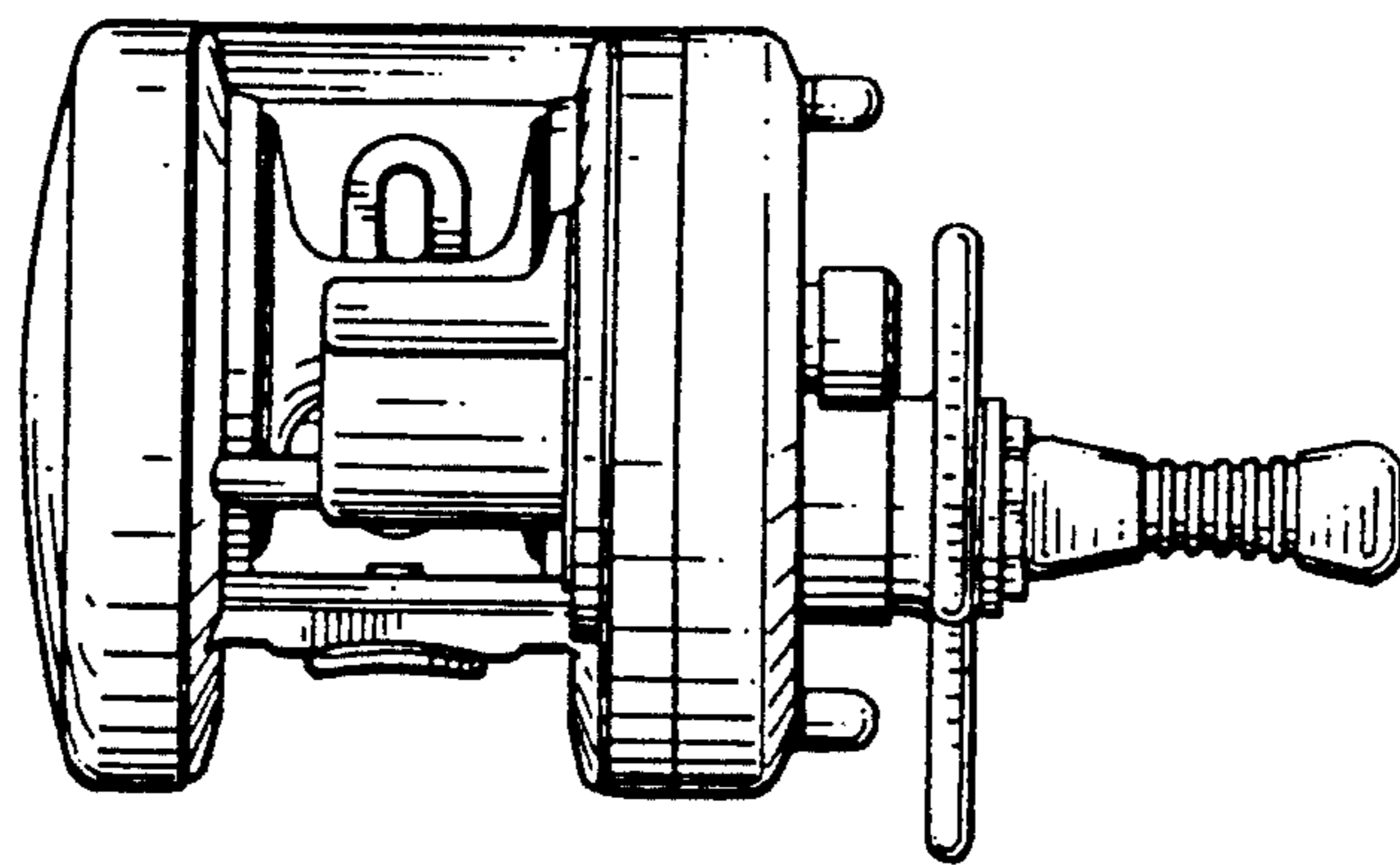


FIG. 2

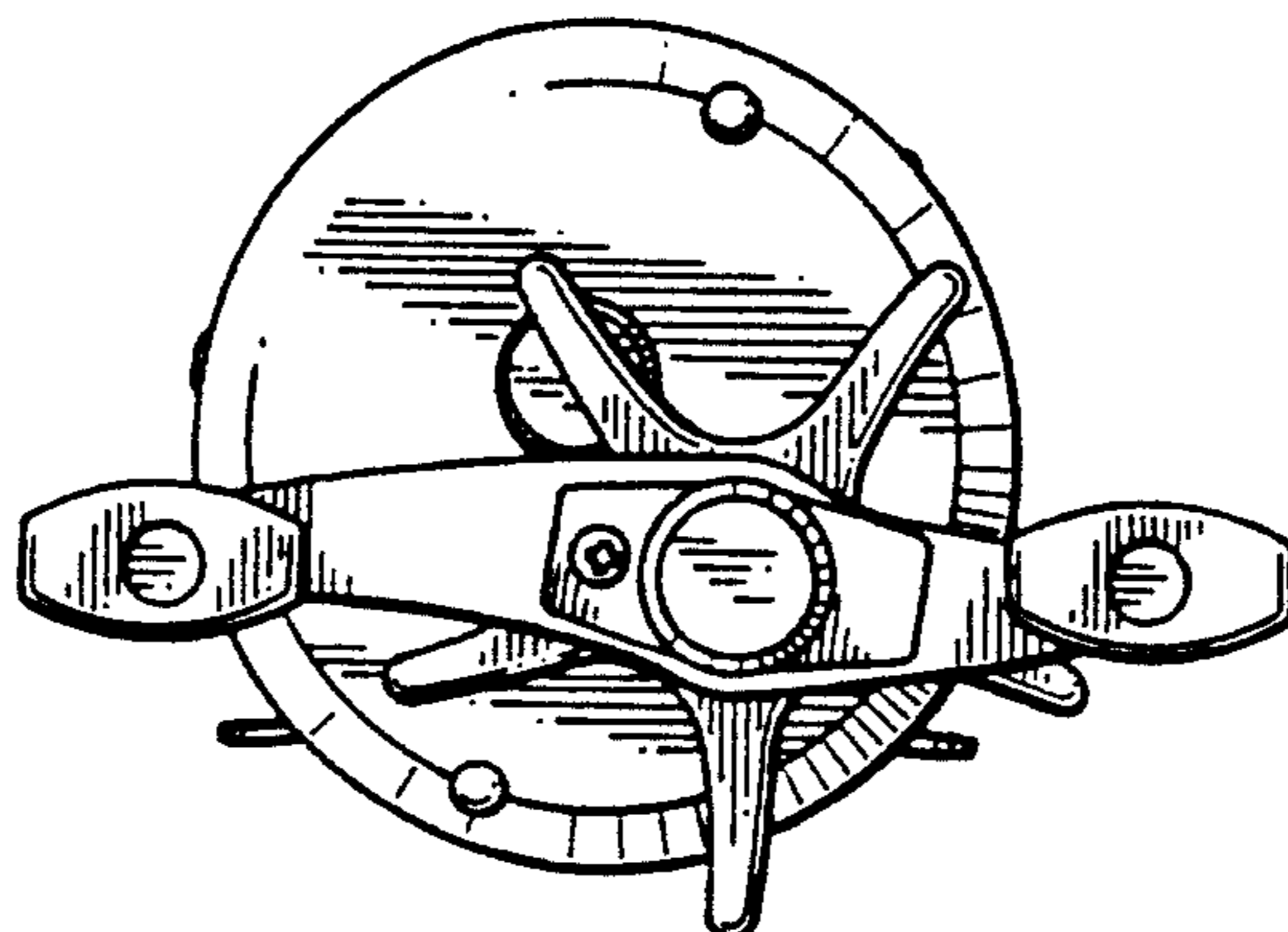


FIG. 3

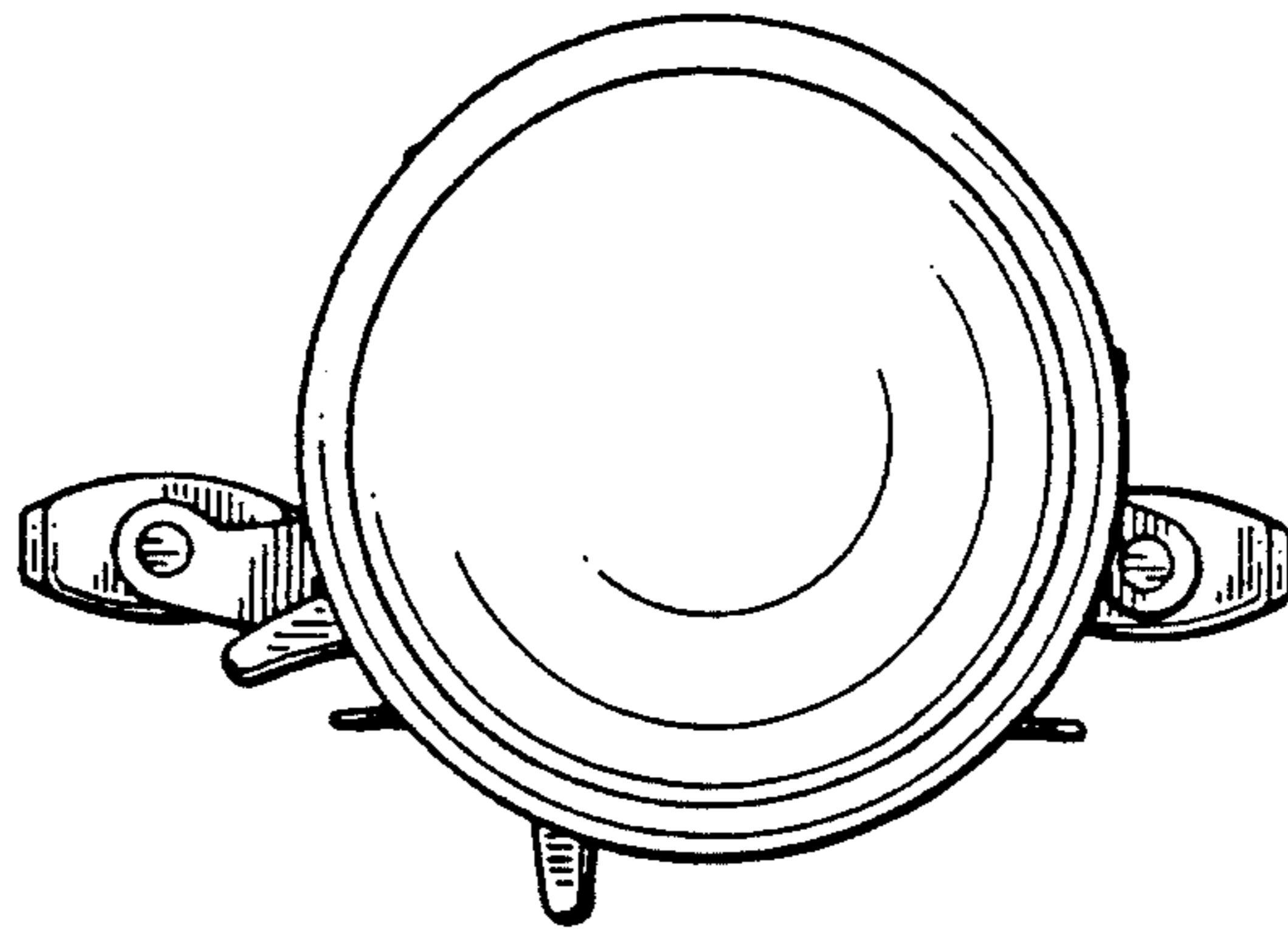


FIG. 4

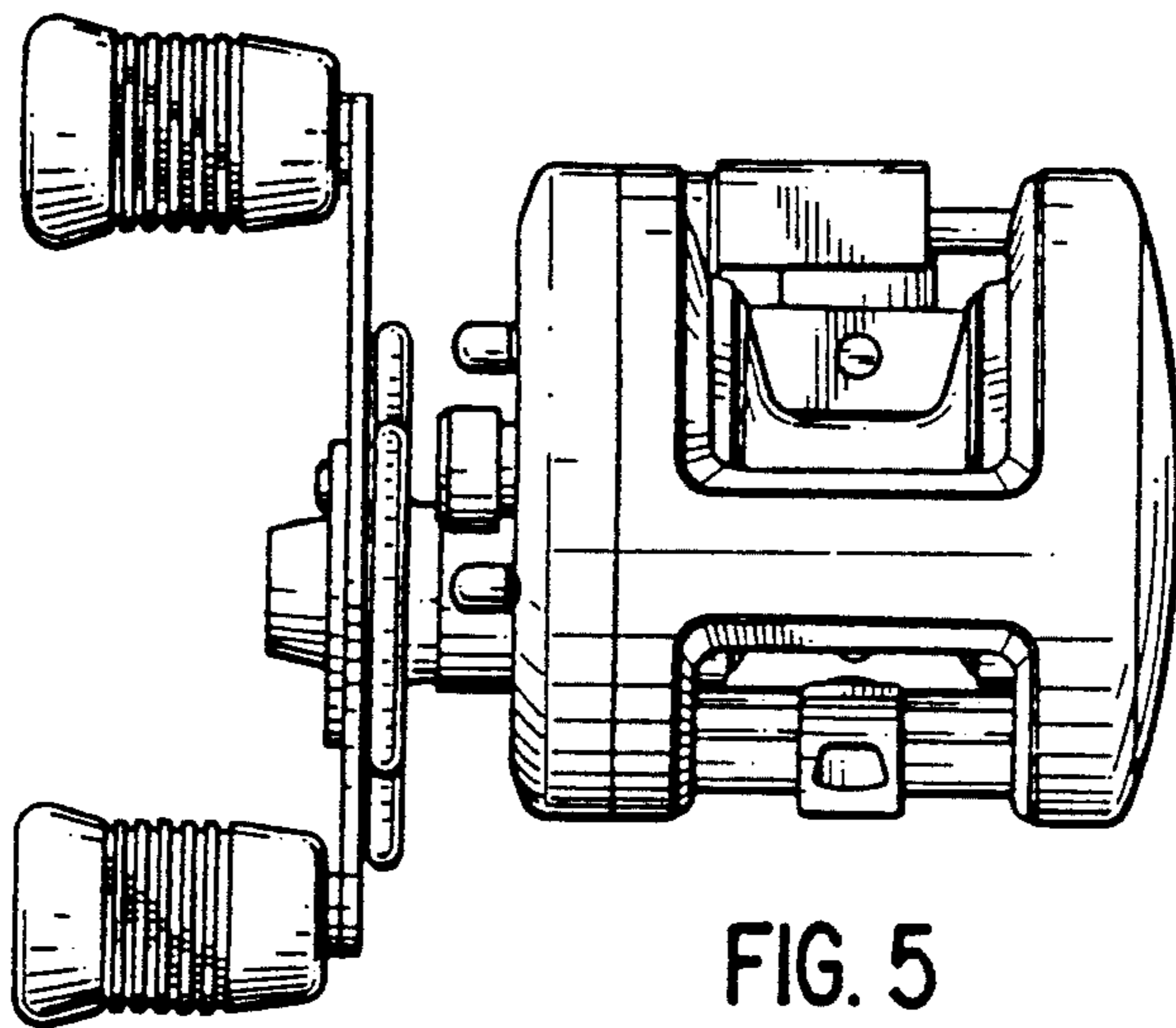


FIG. 5

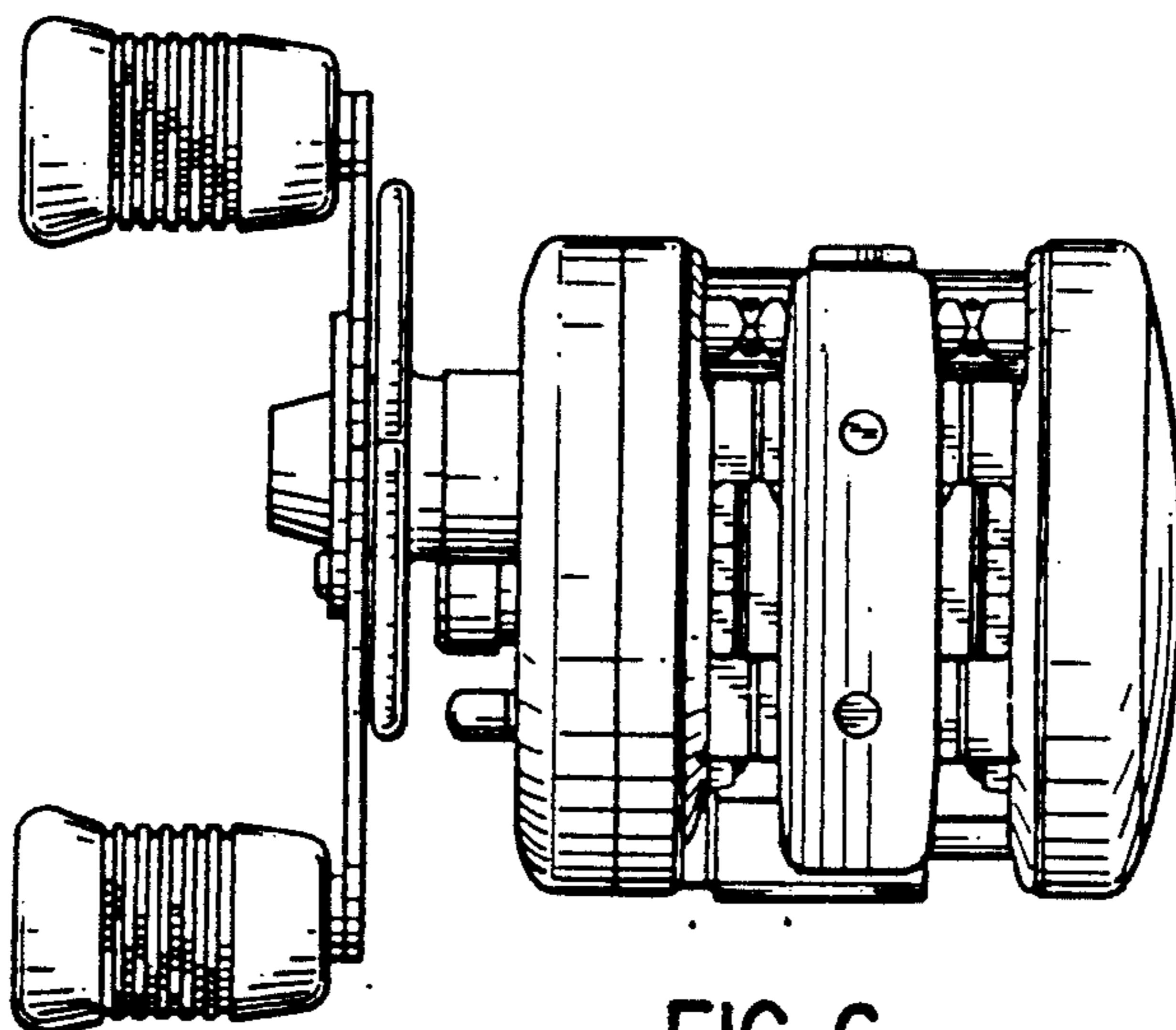


FIG. 6

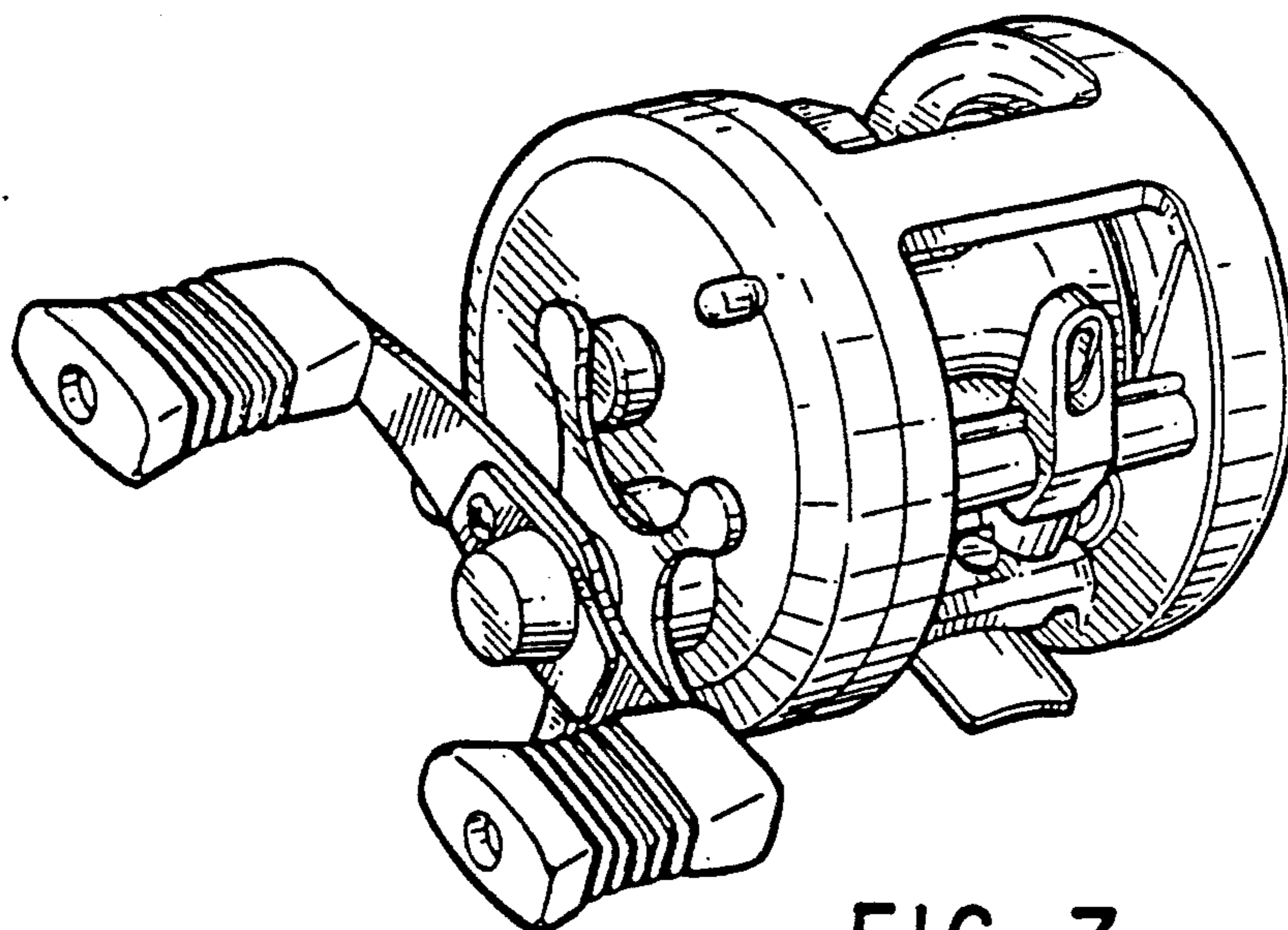


FIG. 7

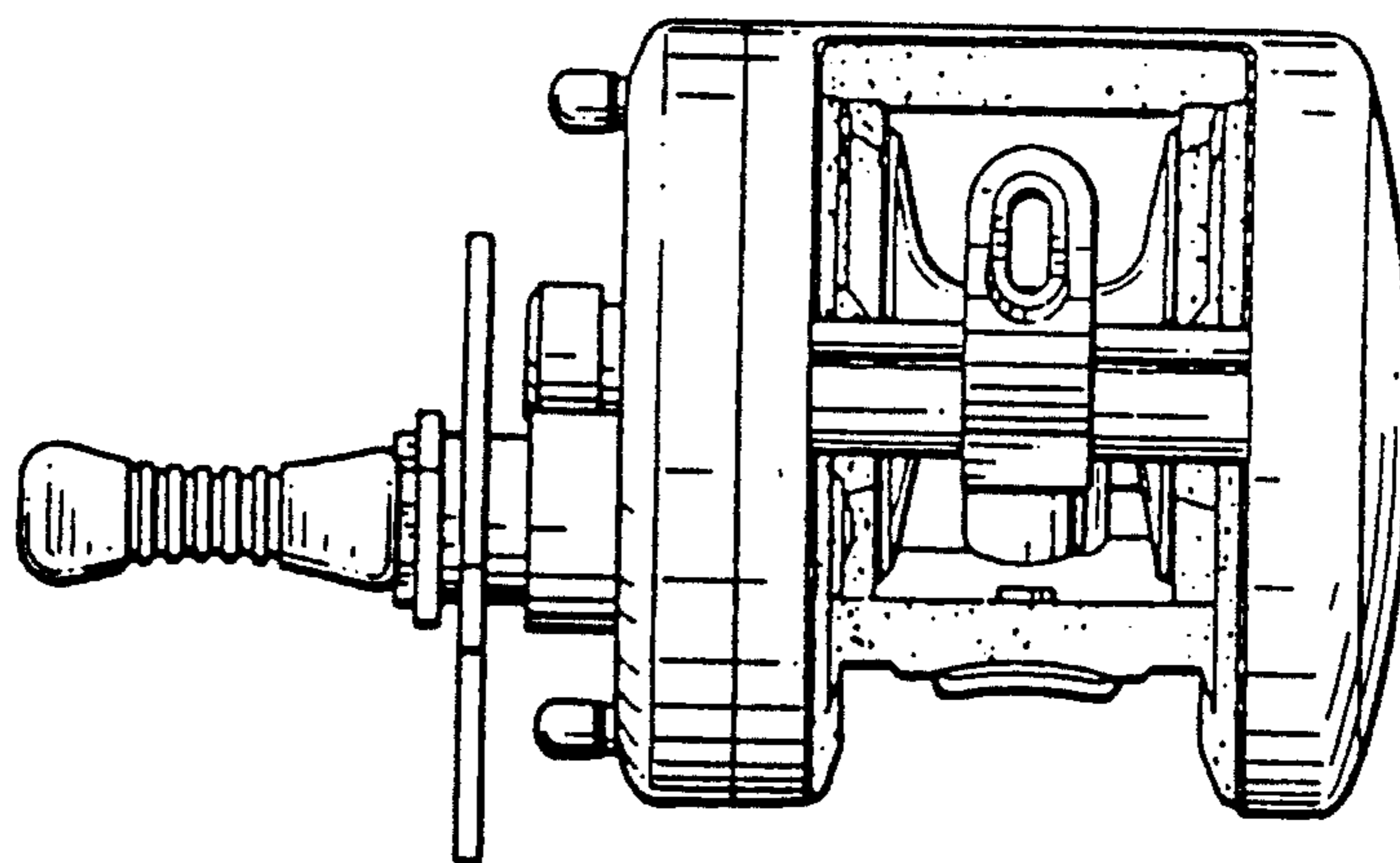


FIG. 8

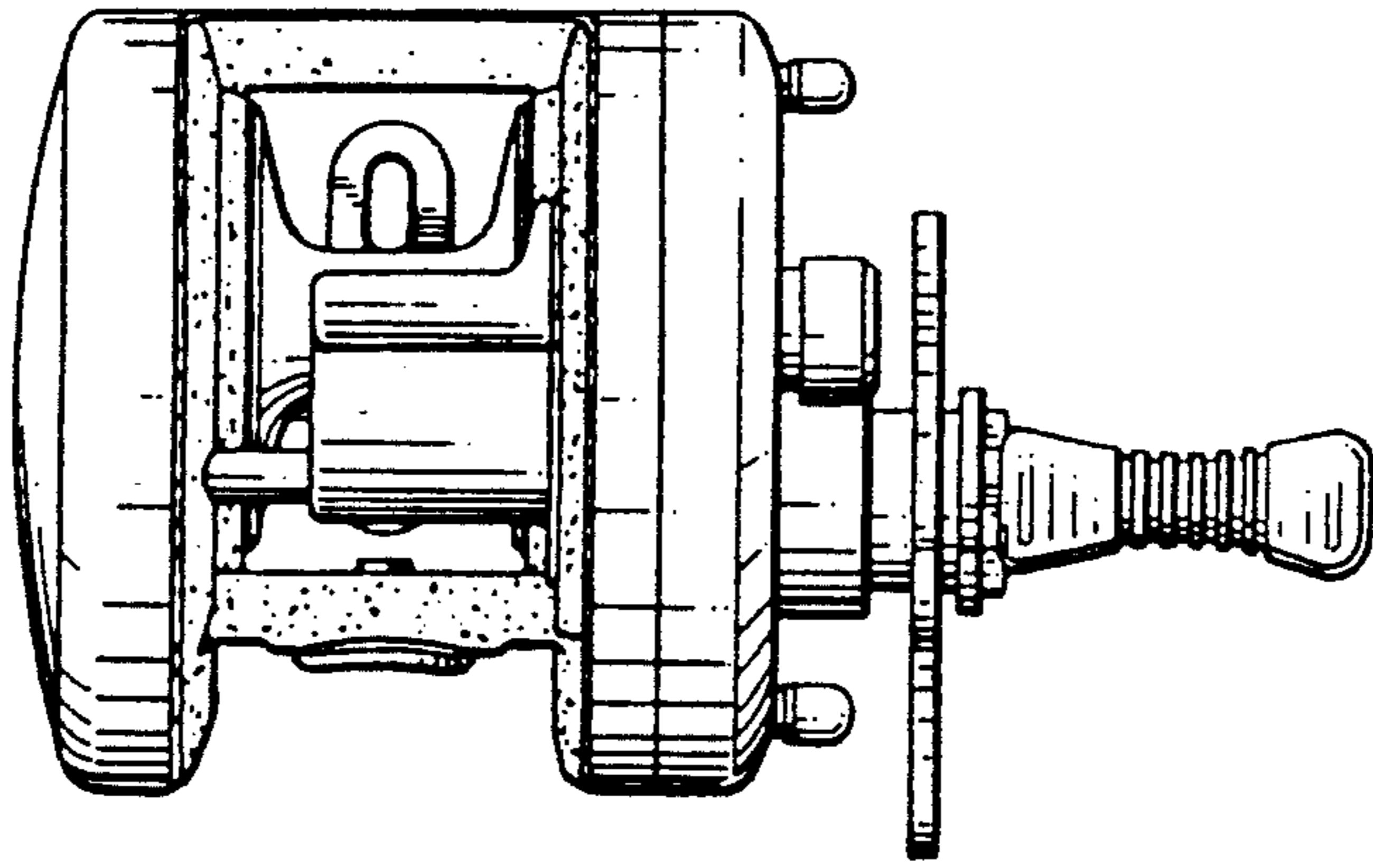


FIG. 9

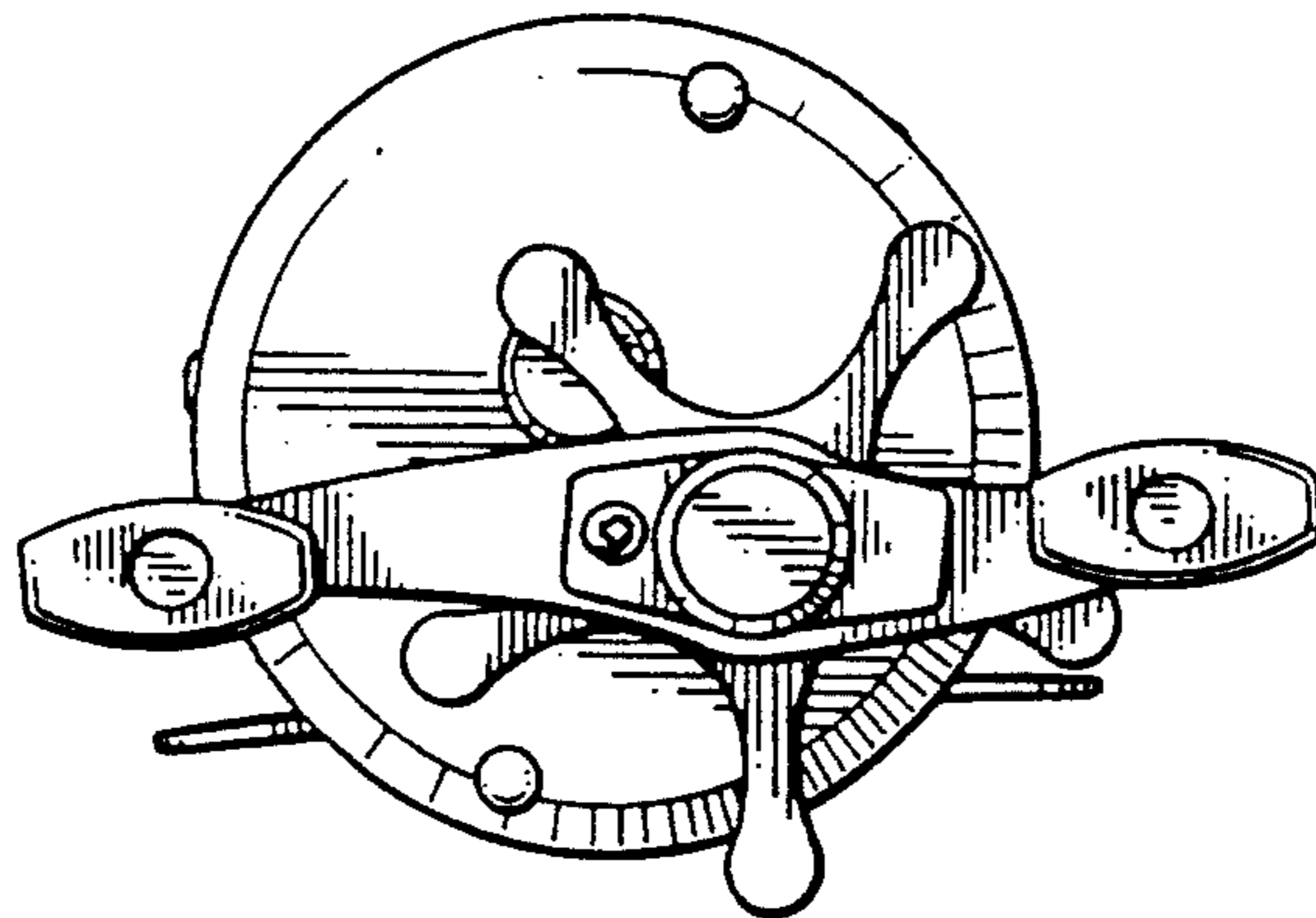


FIG. 10

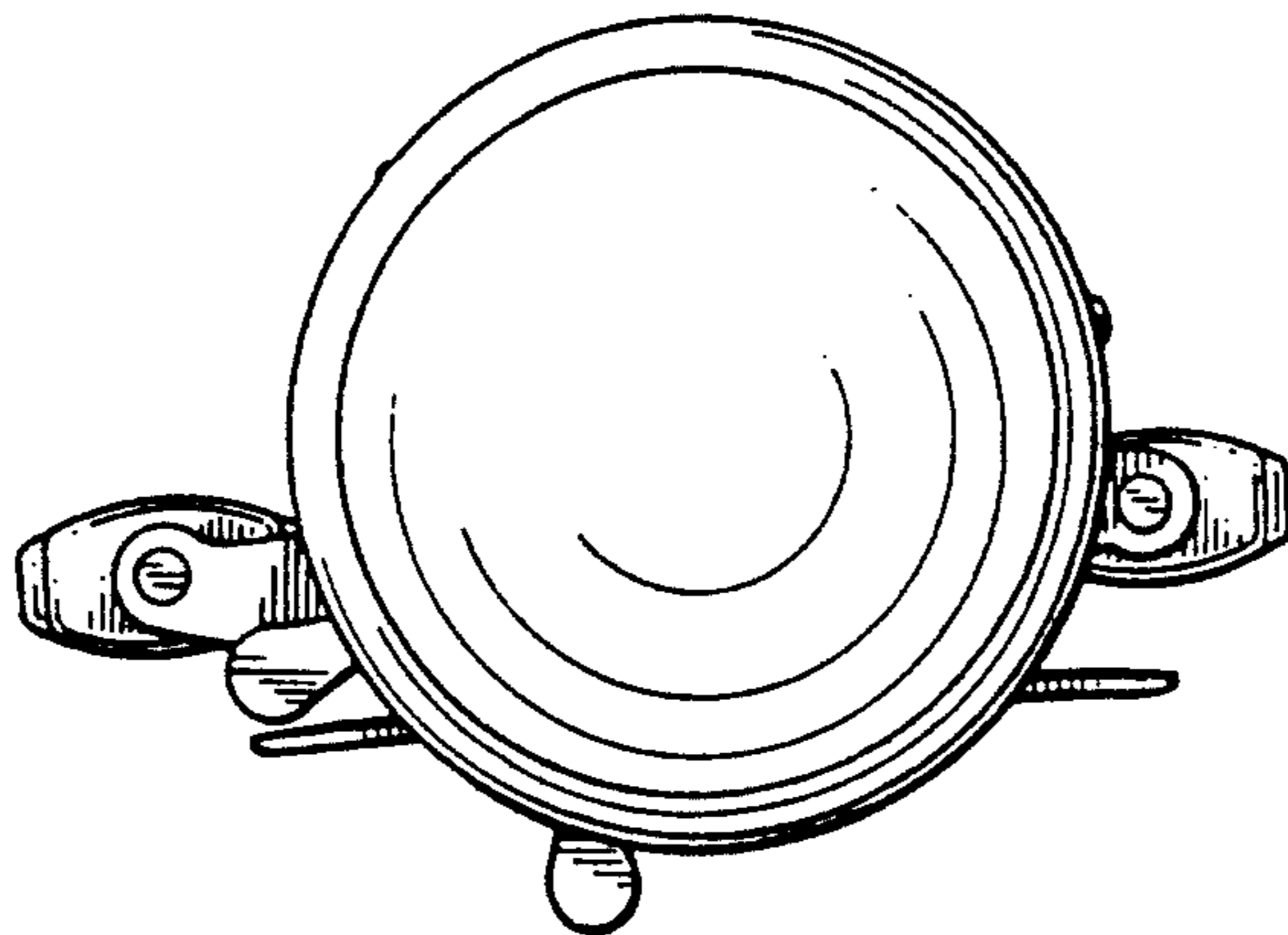


FIG. 11

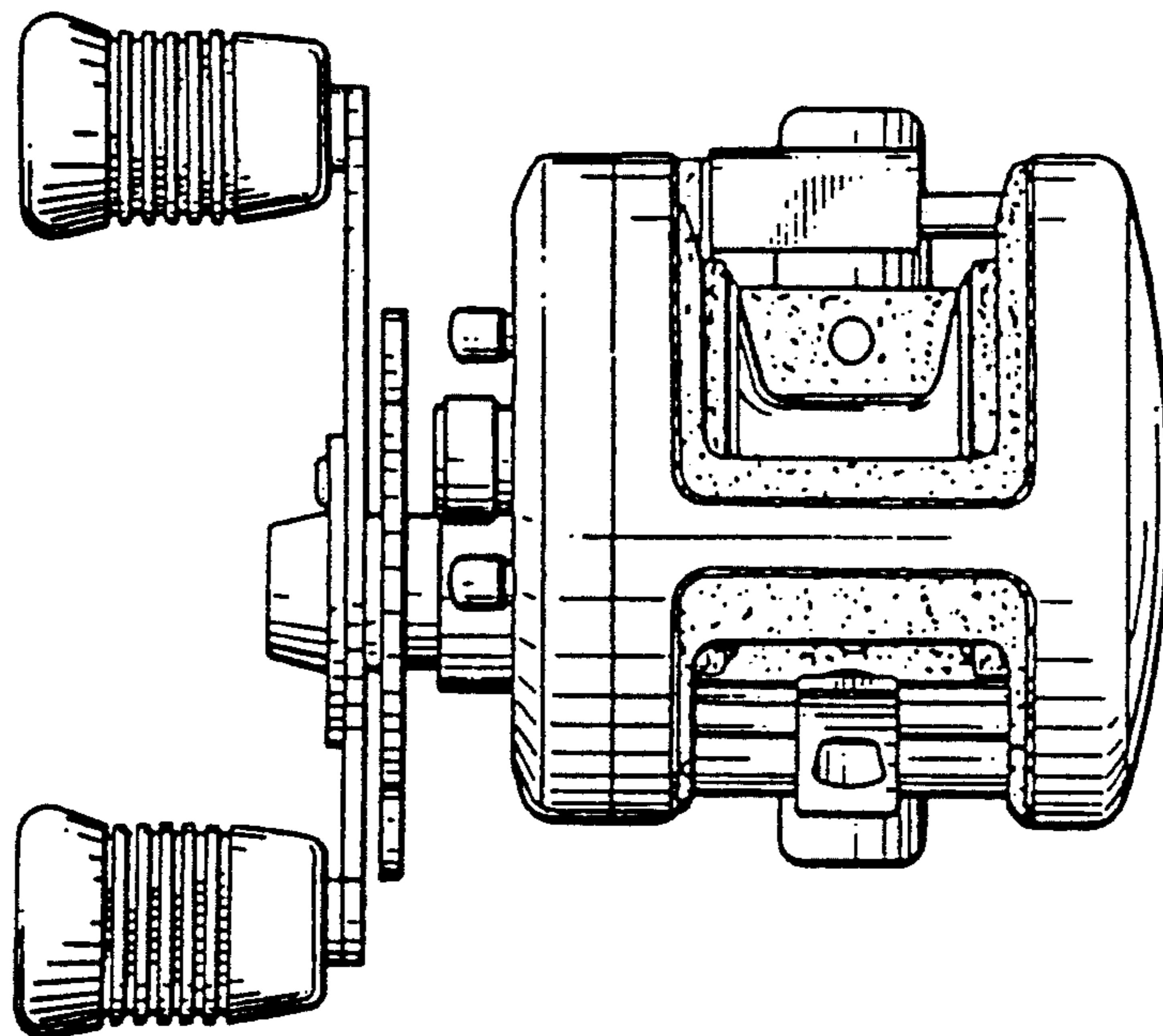


FIG. 12

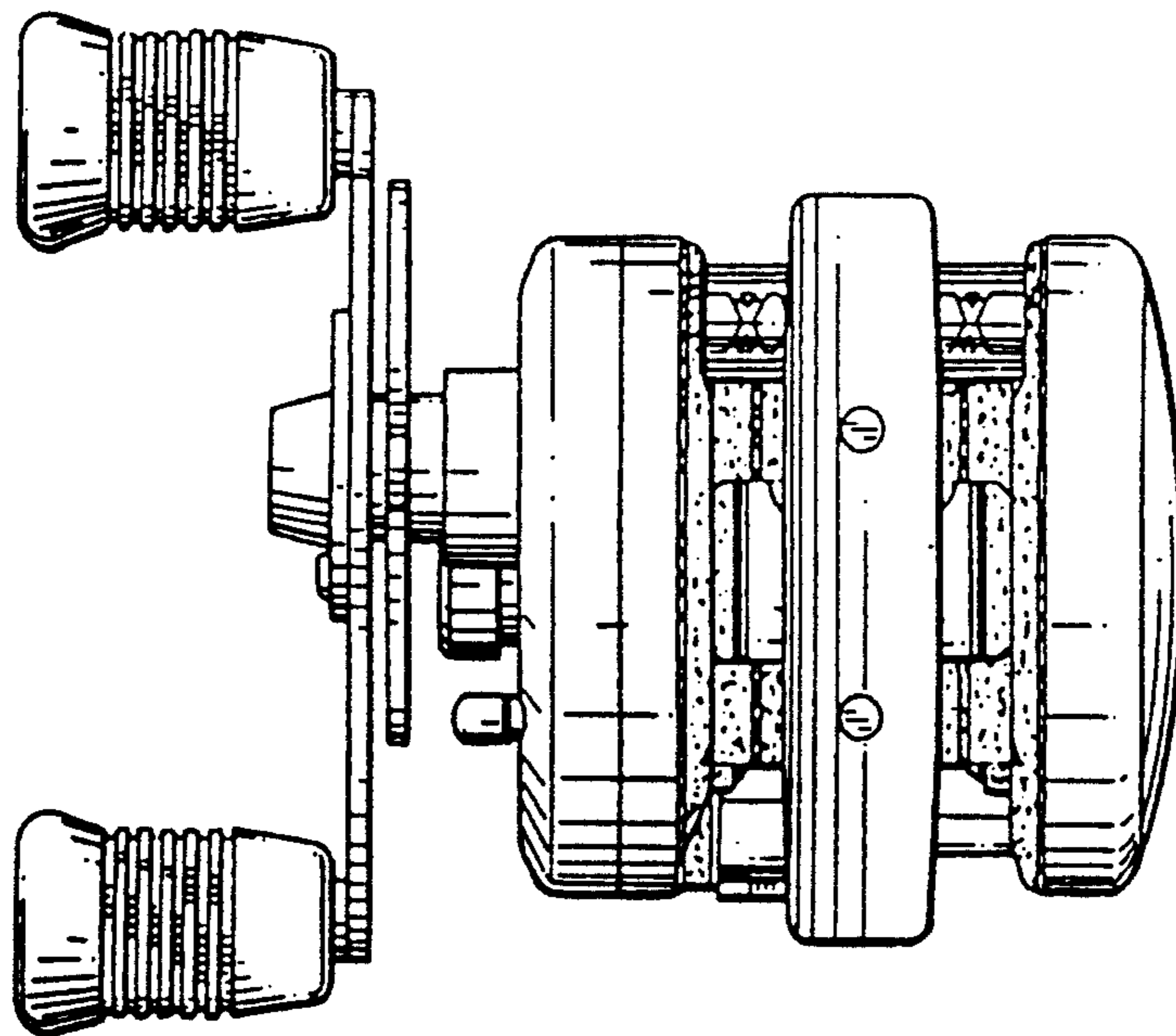


FIG. 13

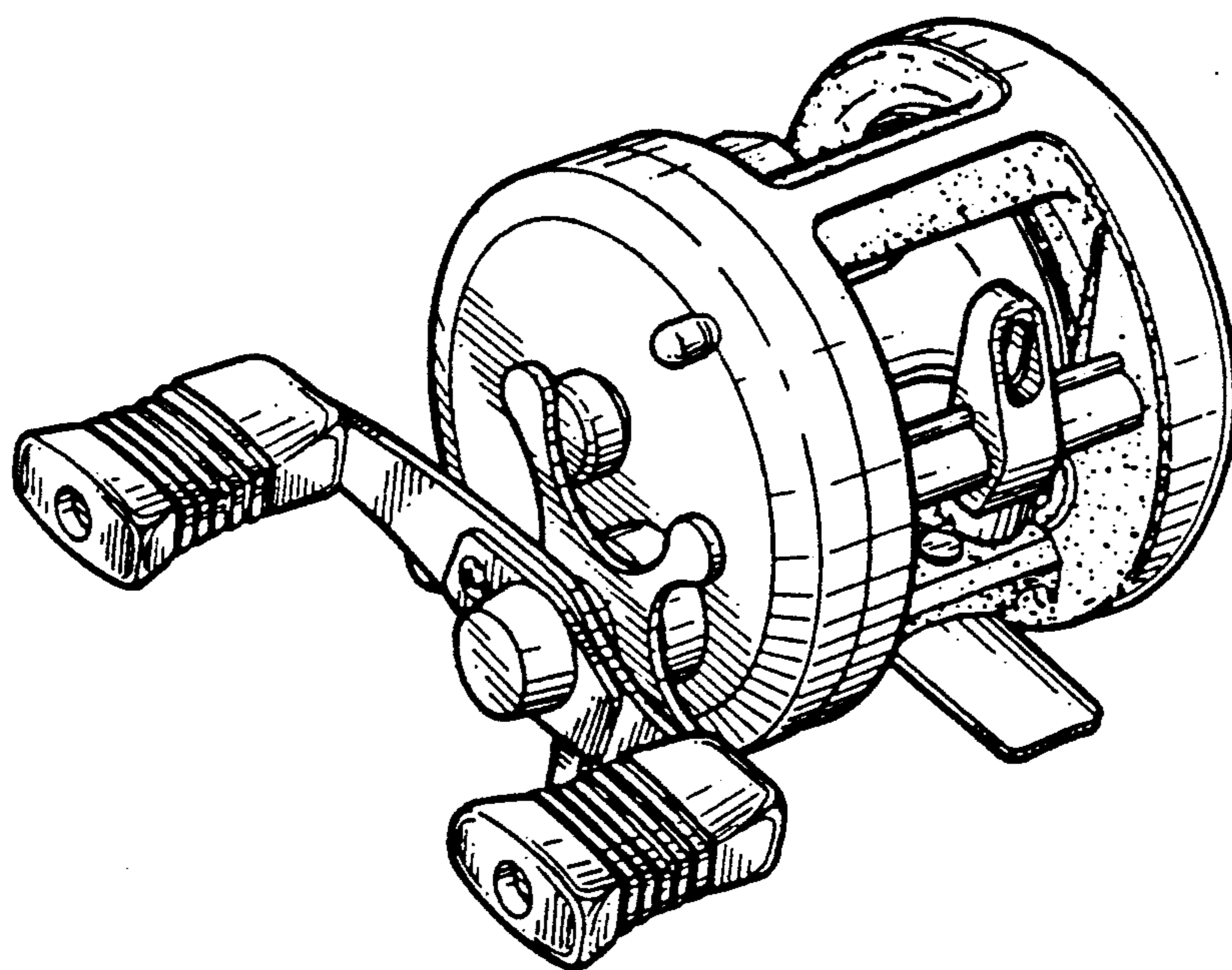


FIG. 14