



US00D348917S

United States Patent [19]

[11] Patent Number: **Des. 348,917**

Bedortha et al.

[45] Date of Patent: **** Jul. 19, 1994**

[54] **BUOYANT FOOTWEAR FOR WATER EXERCISE**

[56] **References Cited**

U.S. PATENT DOCUMENTS

D. 151,229	10/1948	Eddy	D21/239
5,183,424	2/1993	Field	441/64
5,259,798	11/1993	Runckel	441/64

[75] Inventors: **Diahanne Bedortha**, Springfield;
Lewis C. Thorne, Eugene, both of
Oreg.

Primary Examiner—Kay H. Chin
Attorney, Agent, or Firm—John F. Ingman

[73] Assignee: **Excel Sports Science, Inc.**, Eugene,
Oreg.

[57] **CLAIM**

The ornamental design for buoyant footwear for water exercise, as shown and described.

[**] Term: **14 Years**

DESCRIPTION

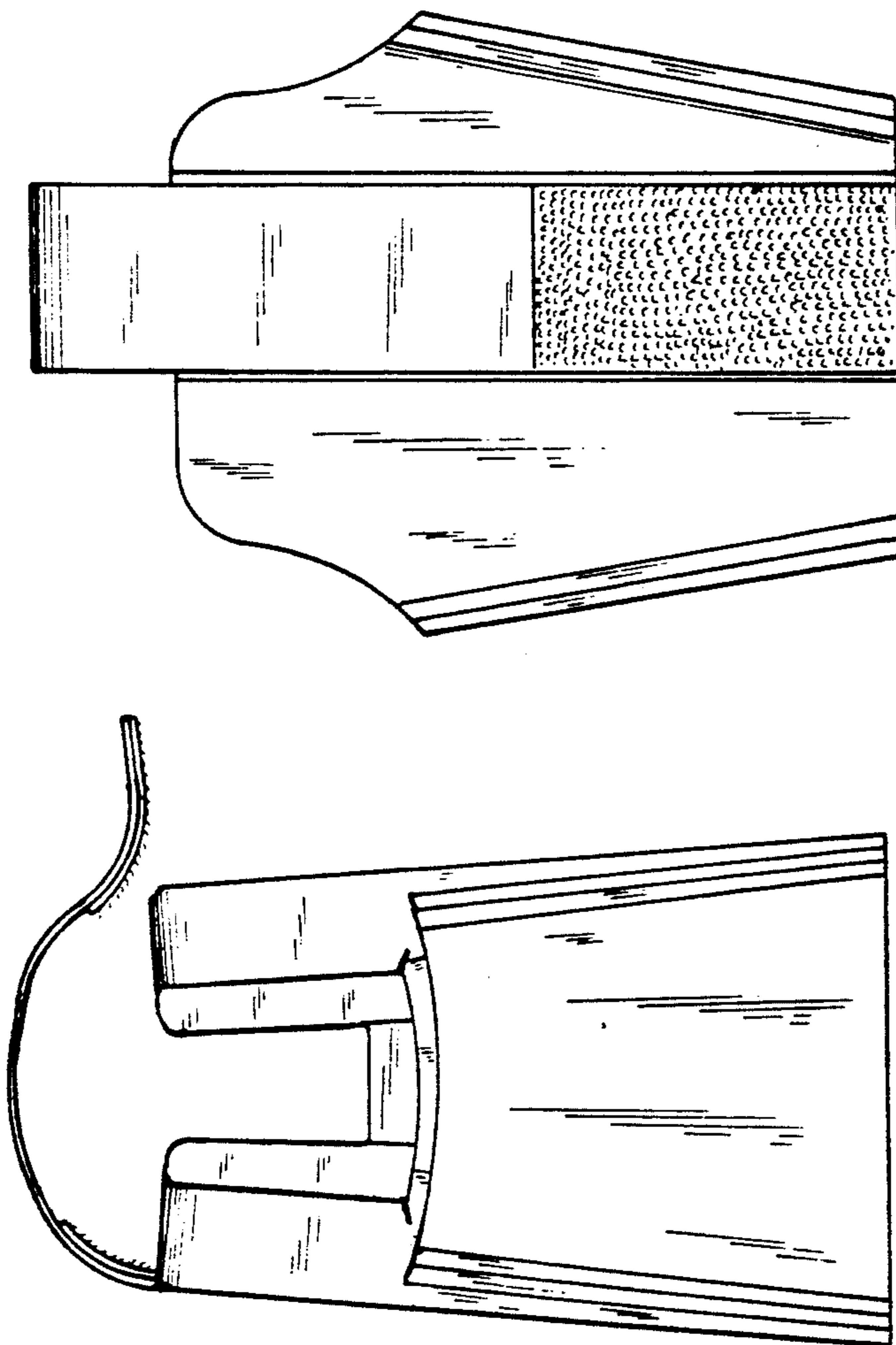
[21] Appl. No.: **526**

FIG. 1 is a side view of the buoyant footwear for water exercise showing my new design;
 FIG. 2 is a top view thereof;
 FIG. 3 is a bottom view thereof;
 FIG. 4 is a end view thereof;
 FIG. 5 is a side view thereof from the side opposing the view of FIG. 1; and,
 FIG. 6 is an end view thereof from the end opposing the view of FIG. 4.

[22] Filed: **Oct. 16, 1992**

[52] U.S. Cl. **D21/239; D21/236**

[58] Field of Search **441/64, 61, 63, 62; 482/111; 472/129, 128; D21/239, 236, 237, 238**



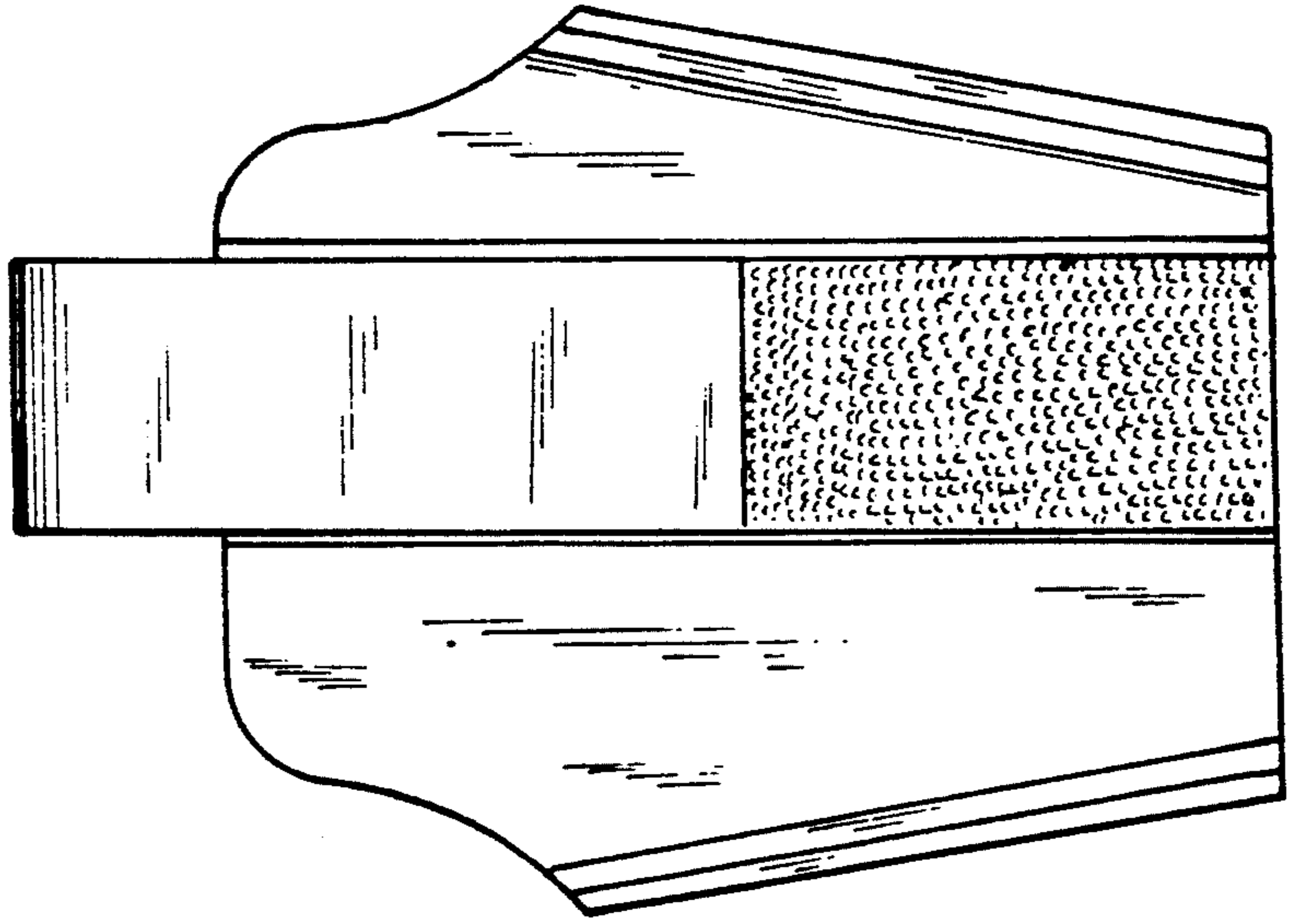


FIG. 1

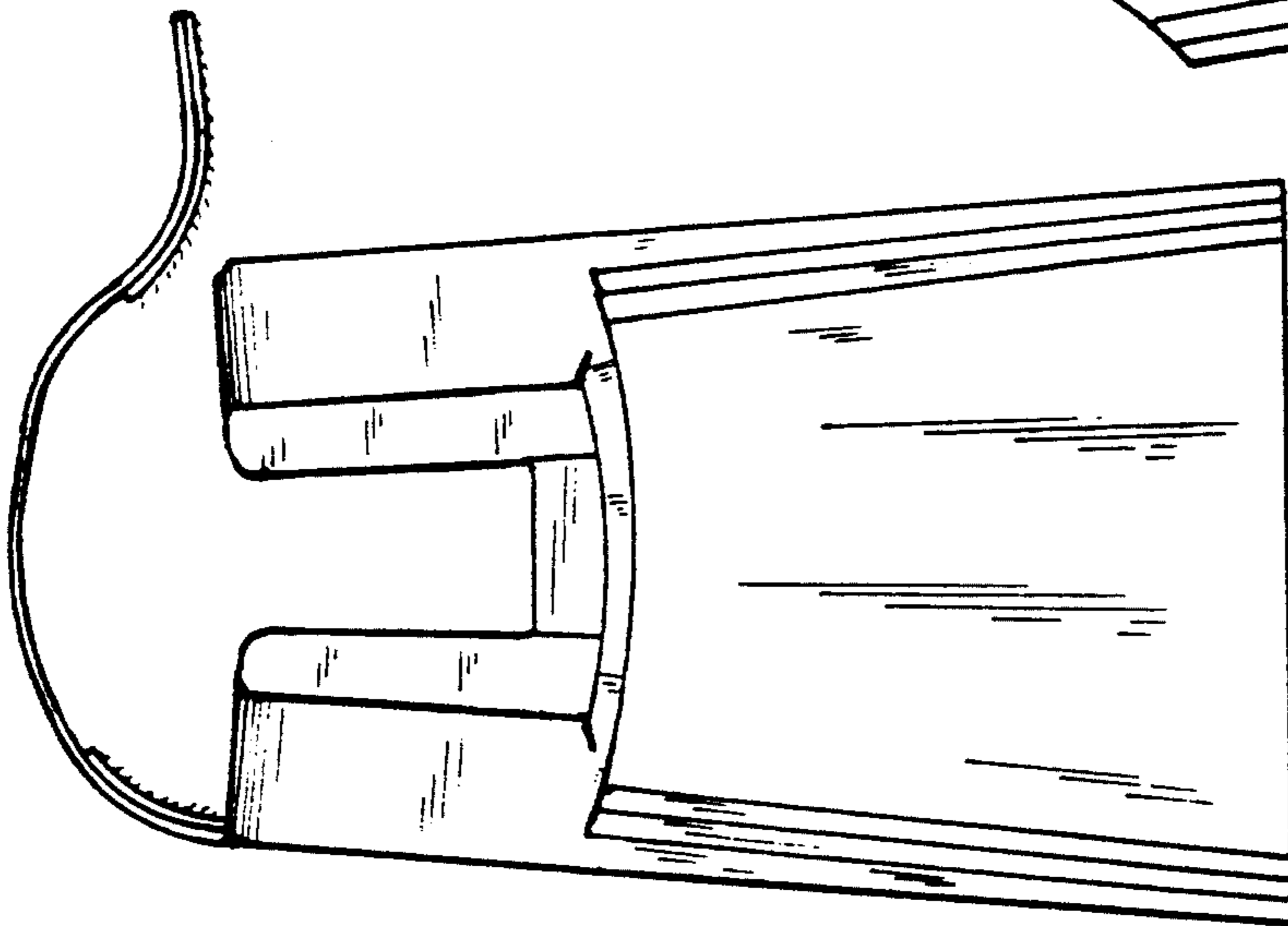


FIG. 2

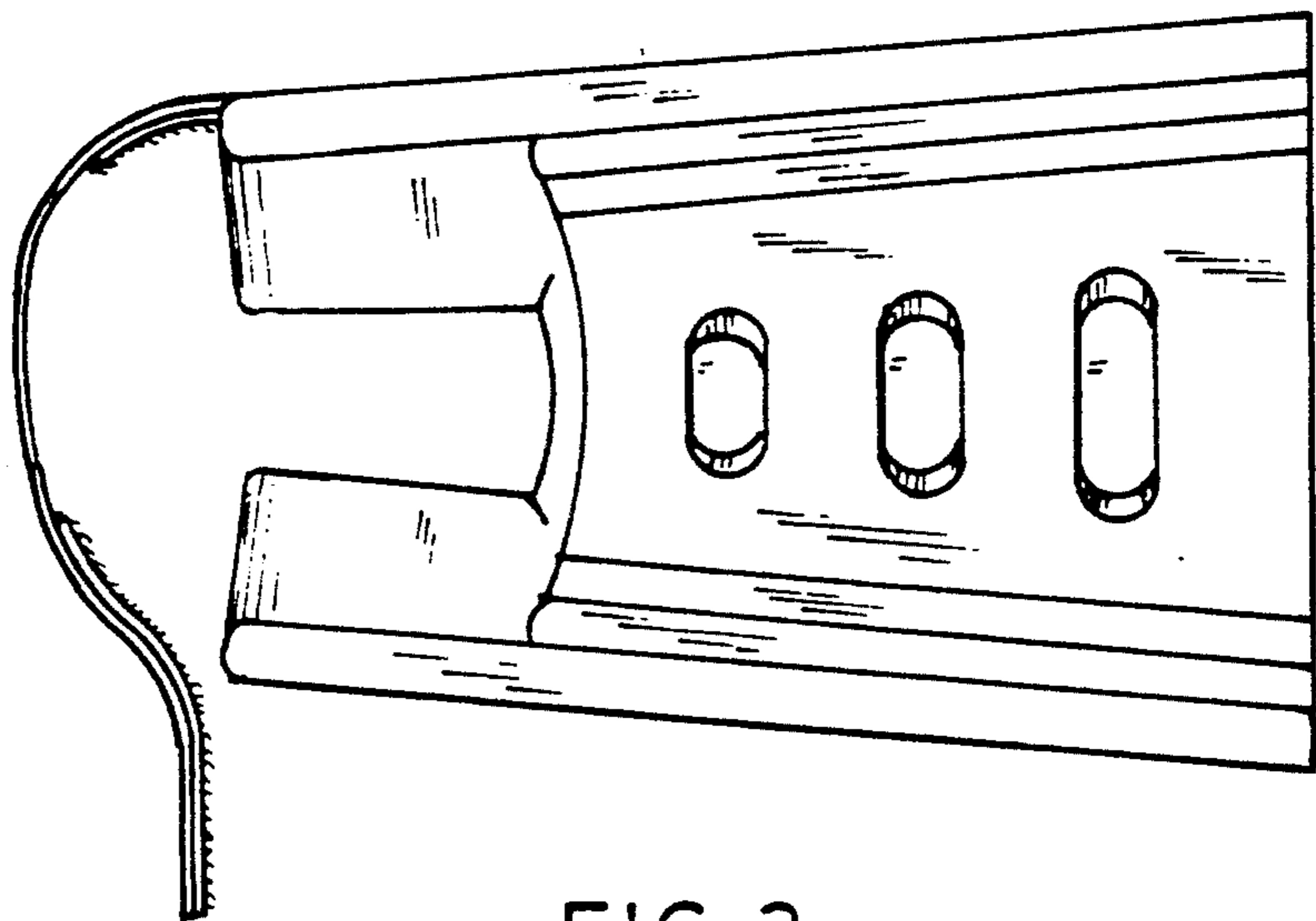


FIG. 3

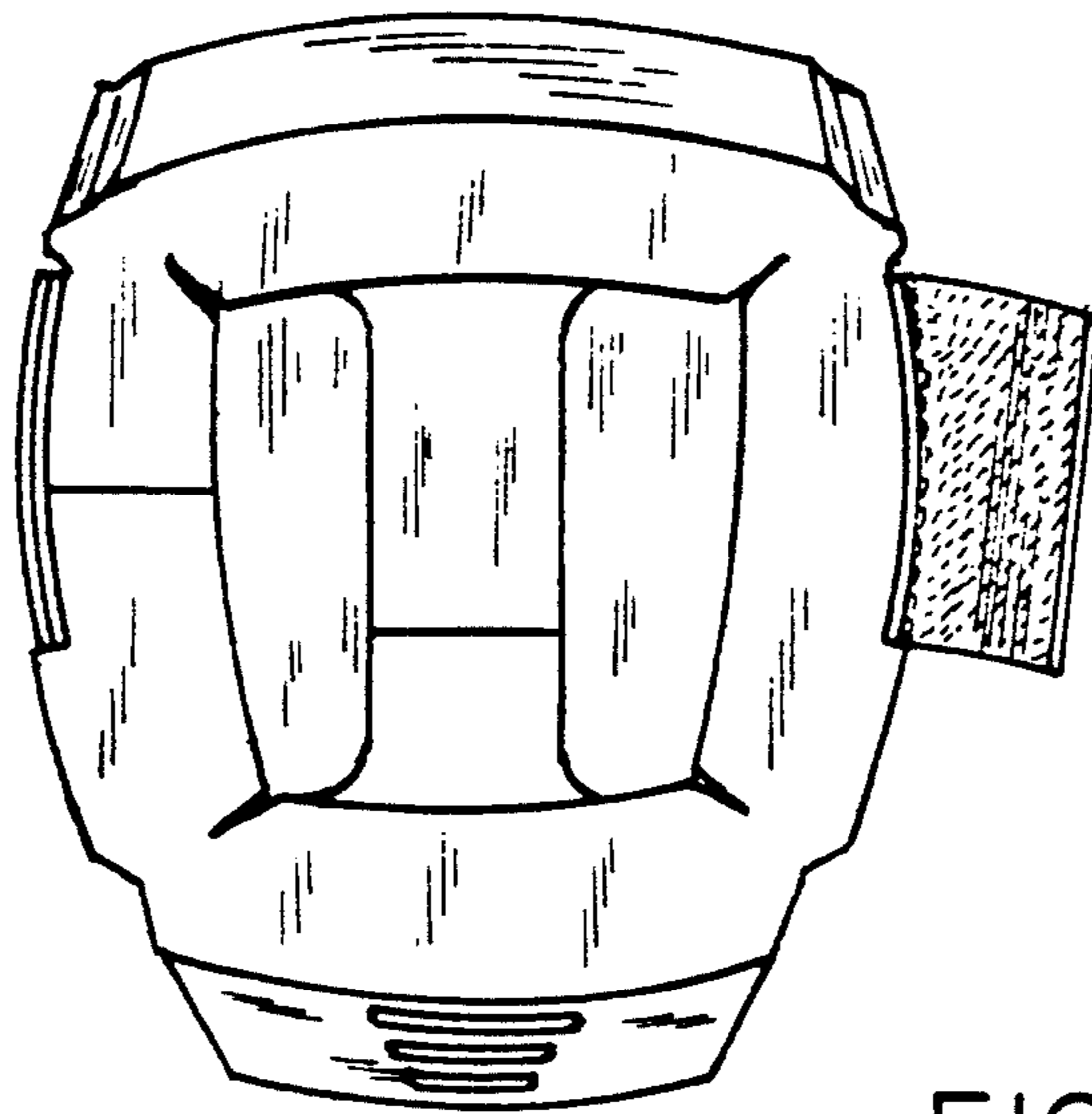


FIG. 4

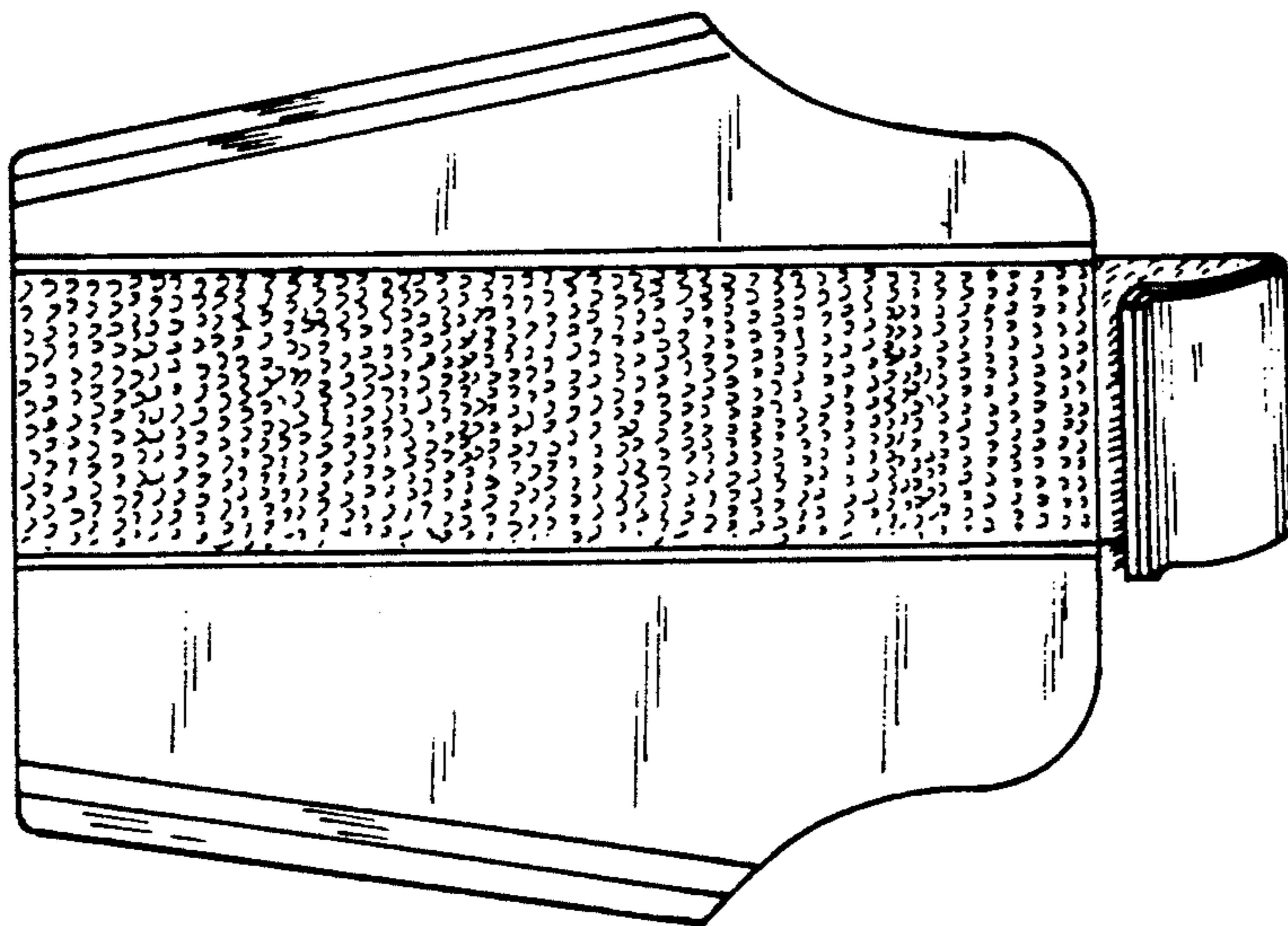


FIG. 5

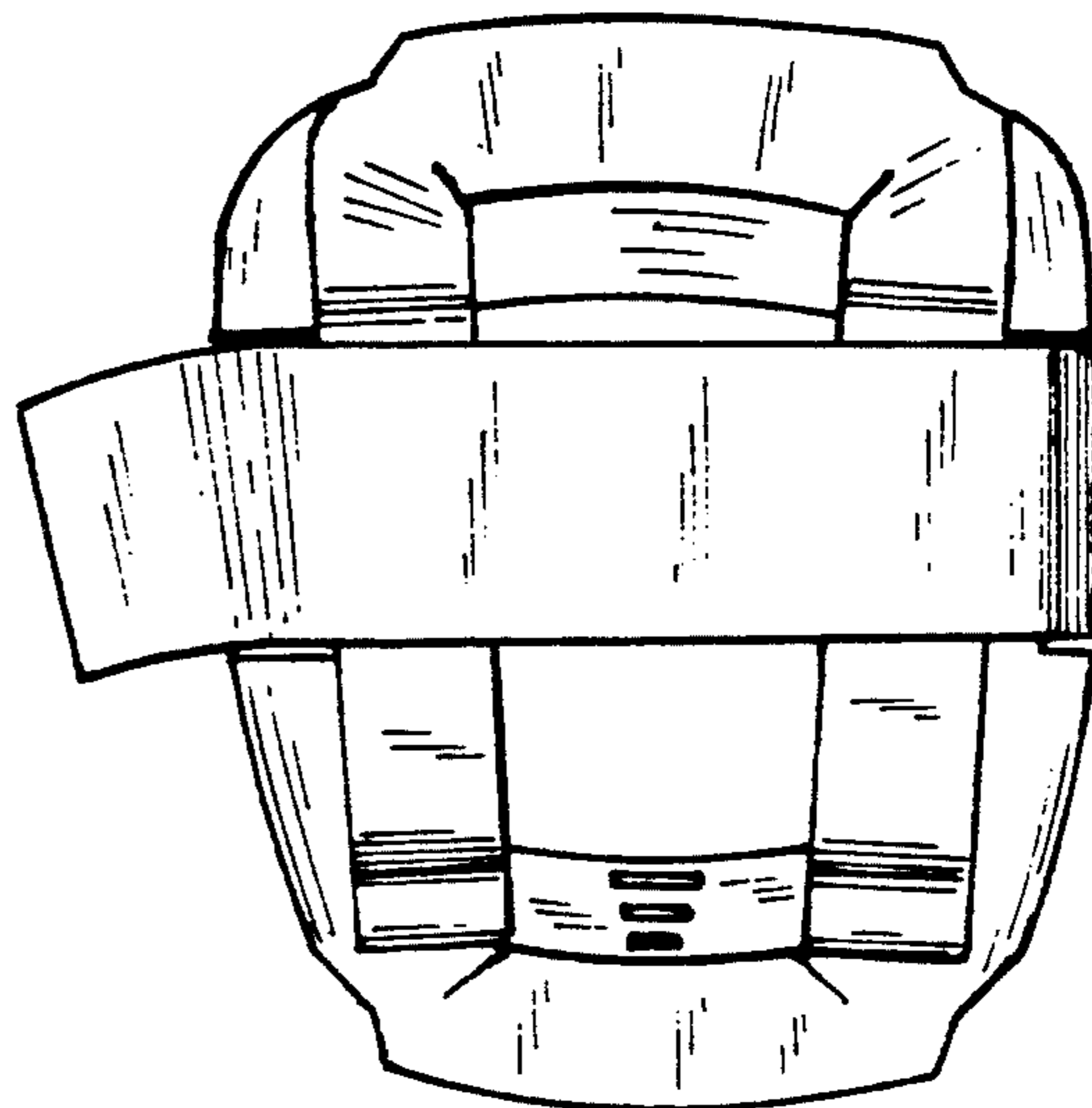


FIG. 6