



US00D348916S

# United States Patent [19]

[11] Patent Number: **Des. 348,916**

**Powers**

[45] Date of Patent: **\*\* Jul. 19, 1994**

[54] **BILLIARD TABLE**

3,103,359 9/1963 Gentile Jr. .... 273/68  
3,917,264 11/1975 Davidson et al. .... 273/59 R

[75] Inventor: **Carl D. Powers, Raymer, Tenn.**

[73] Assignee: **Brunswick Corporation, Lake Forest, Ill.**

[\*] Notice: The portion of the term of this patent subsequent to Aug. 19, 2006 has been disclaimed.

[\*\*] Term: **14 Years**

[21] Appl. No.: **428,735**

[22] Filed: **Oct. 30, 1989**

[52] U.S. Cl. .... **D21/232**

[58] Field of Search ..... 273/2, 3 R, 3 A, 59 R, 273/68; D21/232

[56] **References Cited**

**U.S. PATENT DOCUMENTS**

- D. 192,086 1/1962 Reineman et al. .... D21/232
- D. 230,039 1/1974 Crossman ..... D21/232
- D. 259,579 6/1981 Kaye ..... D21/232

**OTHER PUBLICATIONS**

Coleco Catalog 1969, The Sport Pool Table.

*Primary Examiner*—Prabhakar G. Deshmukh  
*Attorney, Agent, or Firm*—Wood, Phillips, VanSanten, Hoffman & Ertel

[57] **CLAIM**

The ornamental design for a billiard table, as shown and described.

**DESCRIPTION**

FIG. 1 is a perspective view of a billiard table showing my new design;

FIG. 2 is a top plan view thereof;

FIG. 3 is a side elevational view thereof;

FIG. 4 is an end elevational view thereof;

FIG. 5 is an end elevational view of the opposite end view thereof; and,

FIG. 6 is a bottom plan view thereof.

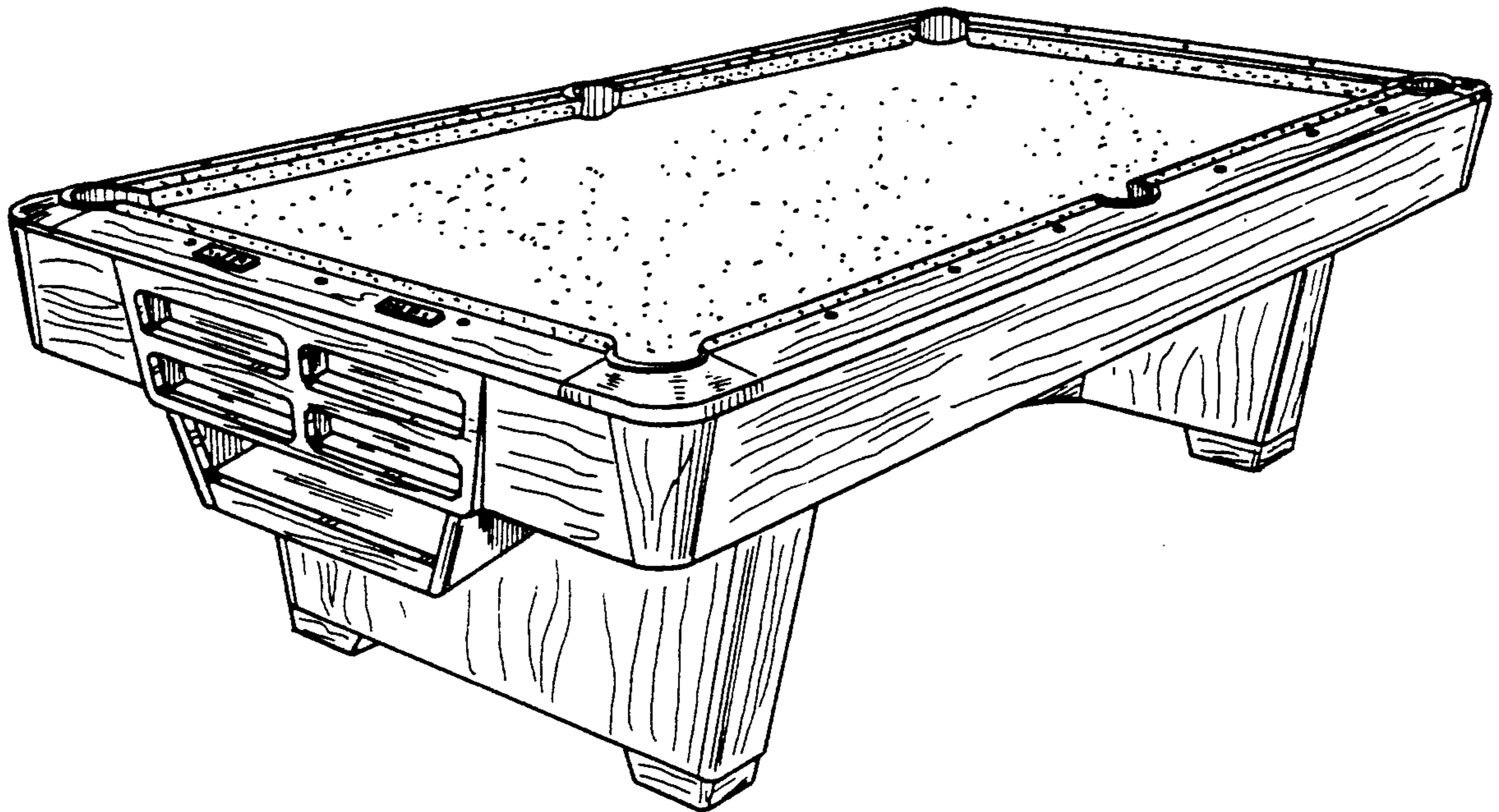


FIG. 1

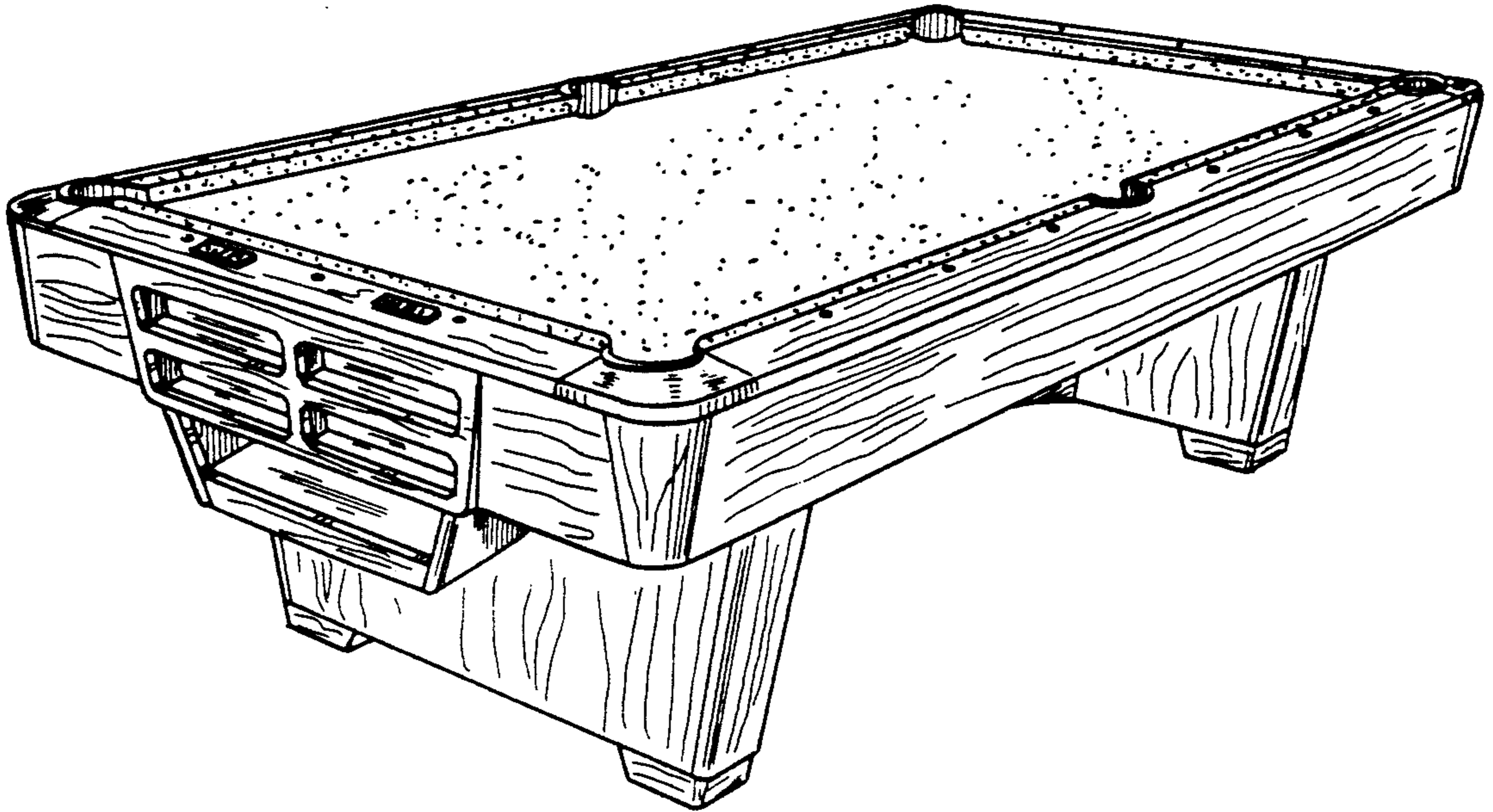


FIG. 2

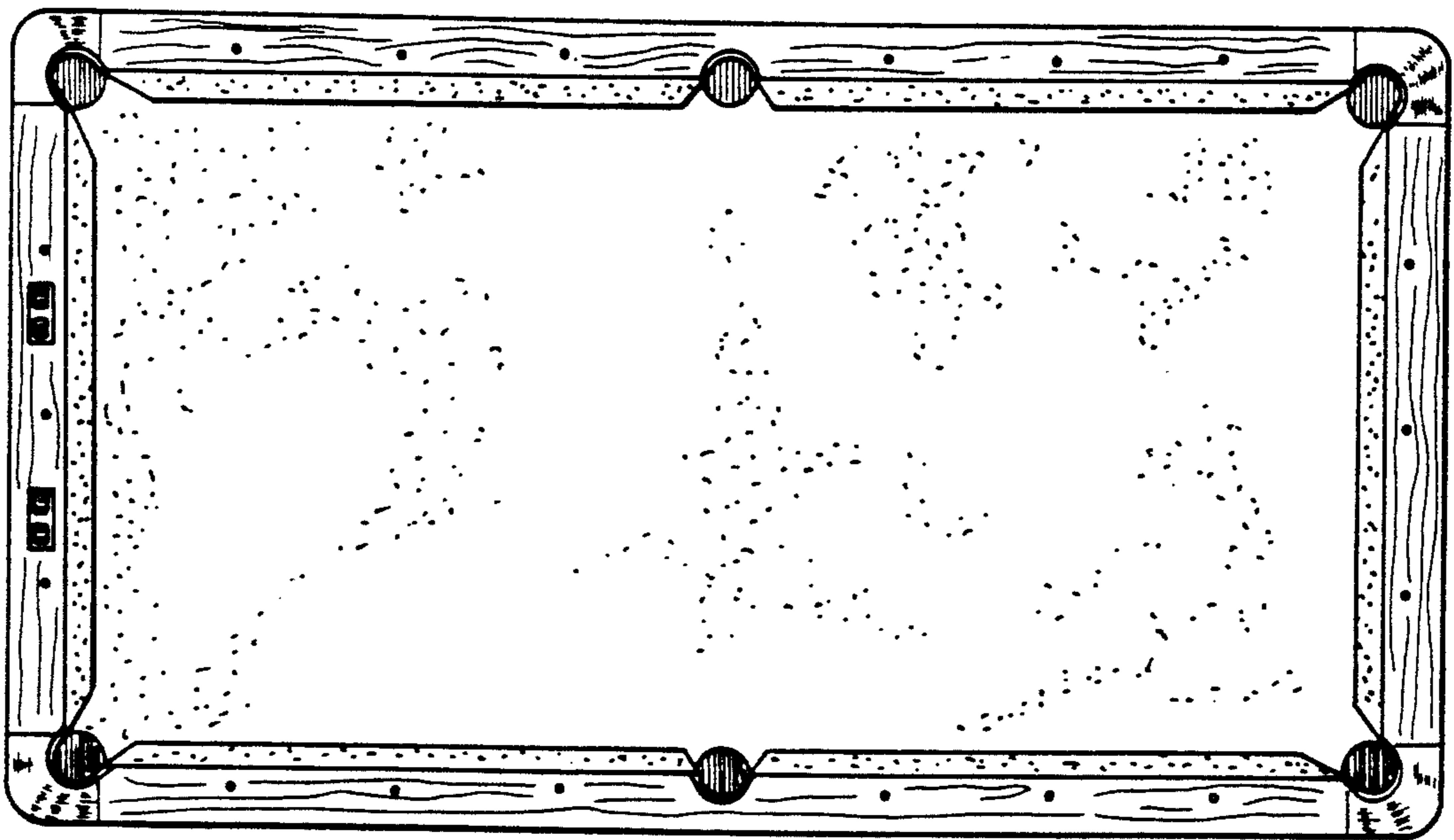


FIG. 3

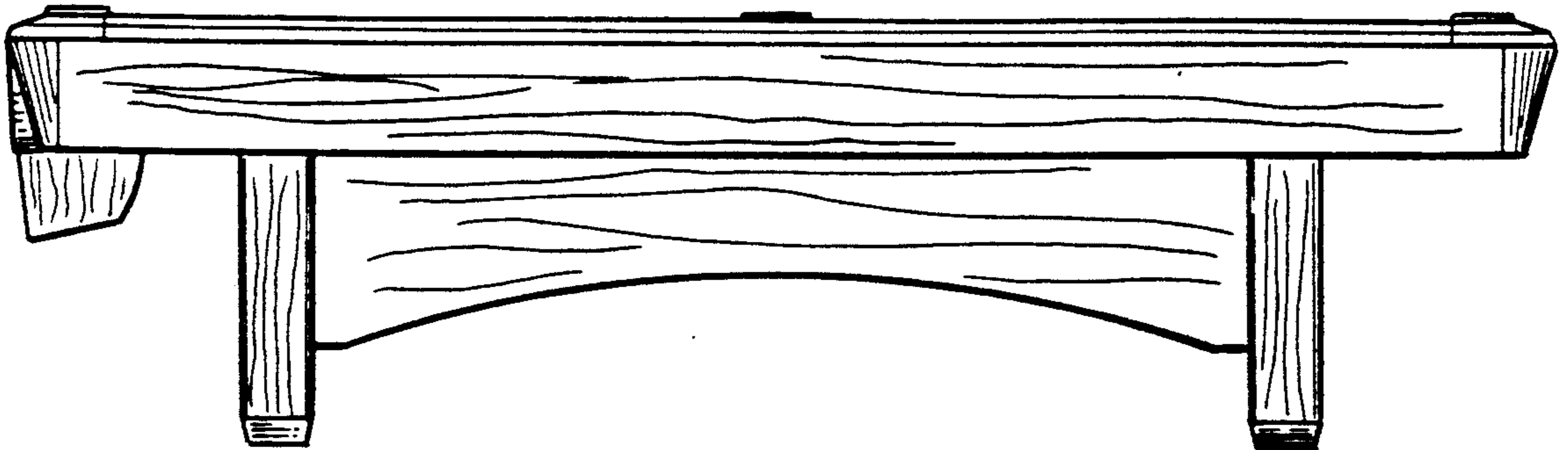


FIG. 4

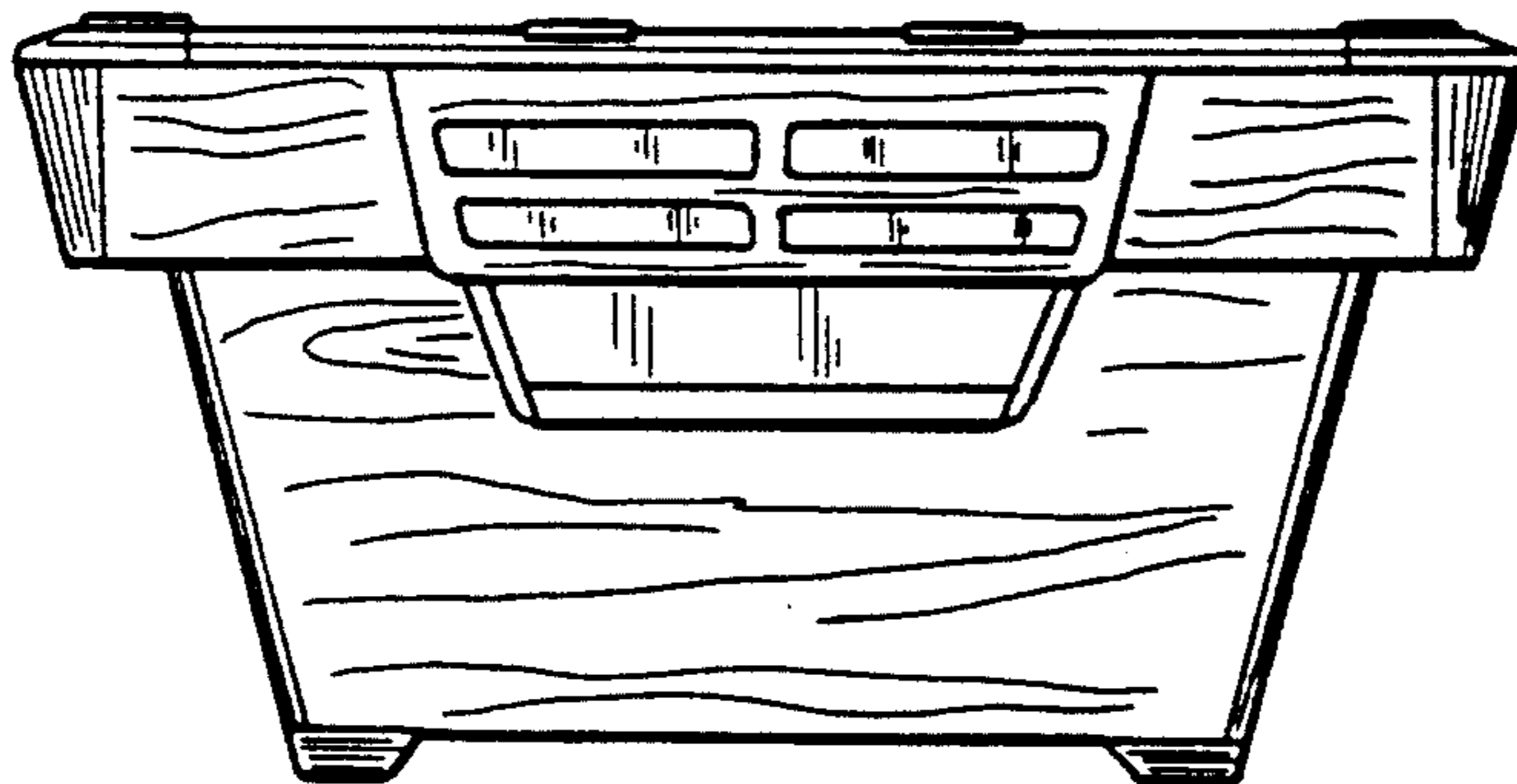


FIG. 5

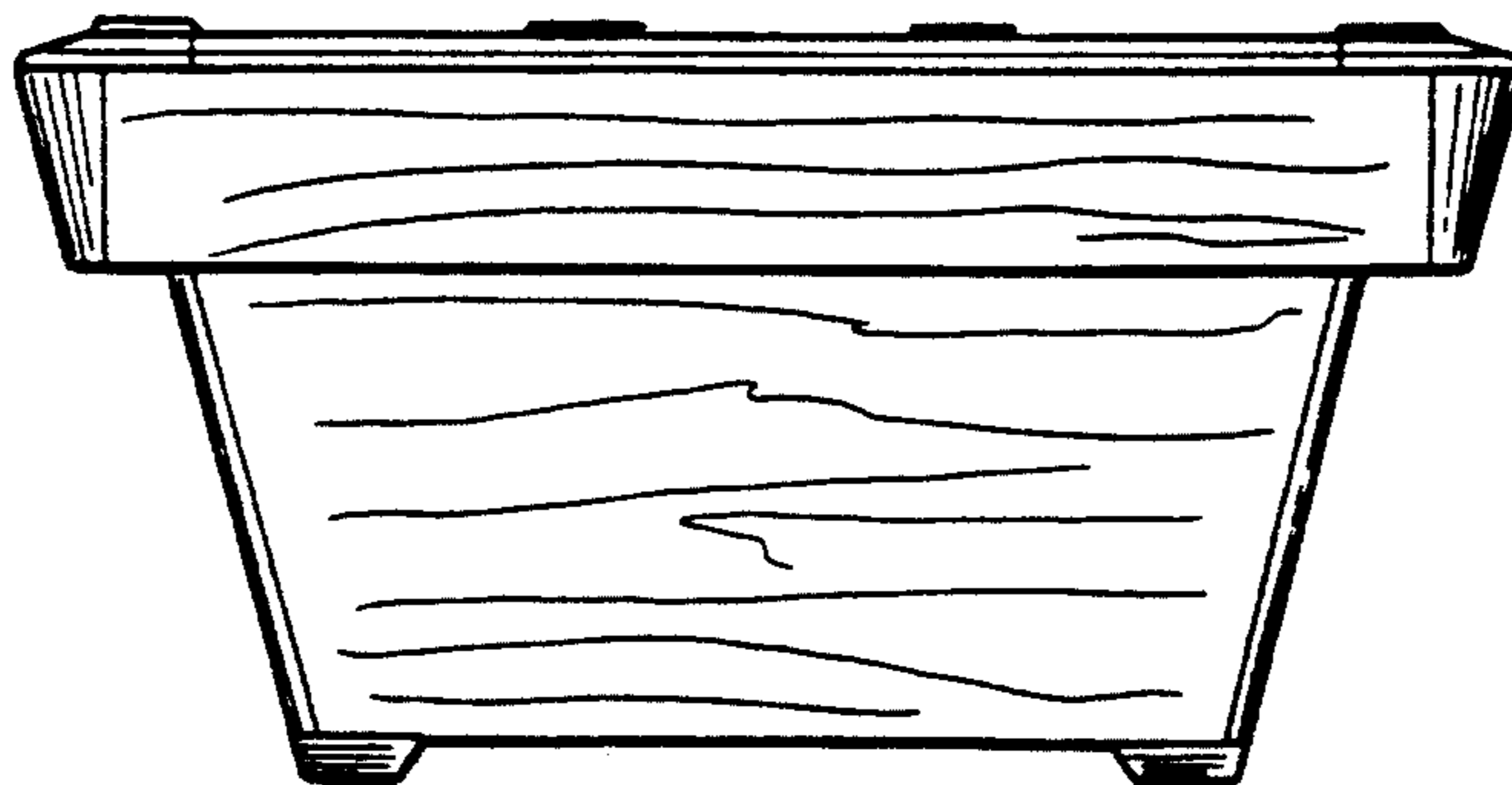


FIG. 6

