



US00D348913S

United States Patent [19]

[11] Patent Number: Des. 348,913

Rudell

[45] Date of Patent: ** Jul. 19, 1994

[54] WATER PISTOL PLANE

[75] Inventor: Elliot Rudell, Rancho Palos Verdes, Calif.

[73] Assignee: Meritus Industries, Inc., Livingston, N.J.

[**] Term: 14 Years

[21] Appl. No.: 917

[22] Filed: Oct. 29, 1992

[52] U.S. Cl. D21/147

[58] Field of Search 446/473, 475; 124/22, 124/64, 65; 222/78, 79; 239/526; D21/146, 147, 145; D22/103-105; D23/223, 226

[56] References Cited

U.S. PATENT DOCUMENTS

- D. 167,642 9/1952 Marx D21/147
- D. 168,314 12/1952 McLain 222/79
- 3,400,486 9/1968 Strauss 446/232

OTHER PUBLICATIONS

Hasbro Inc.'s 1992 Toy Fair Girls & Boys catalog, p. 81.

Primary Examiner—Bernard Ansher

Assistant Examiner—R. Barkai

Attorney, Agent, or Firm—Lerner, David, Littenberg, Krumholz & Mentlik

[57] CLAIM

The ornamental design for a water pistol plane, as shown and described.

DESCRIPTION

FIG. 1 is a perspective view, taken slightly from above, of a water pistol plane showing my new design;

FIG. 2 is a top plan view;

FIG. 3 is a right side elevational view, the left side elevational view being a mirror image thereof;

FIG. 4 is a front elevational view;

FIG. 5 is a rear elevational view; and,

FIG. 6 is a bottom plan view.

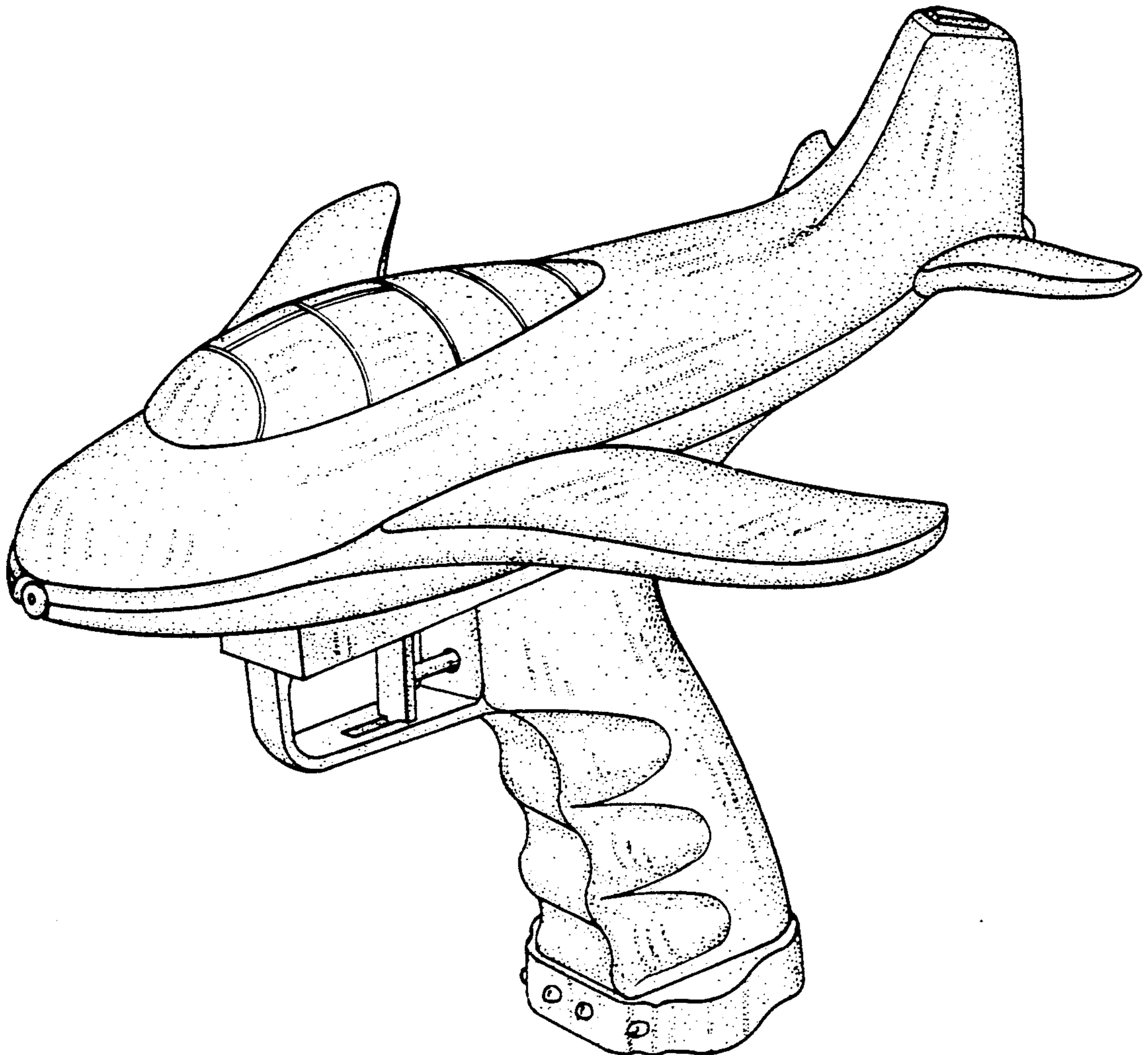


FIG. 1

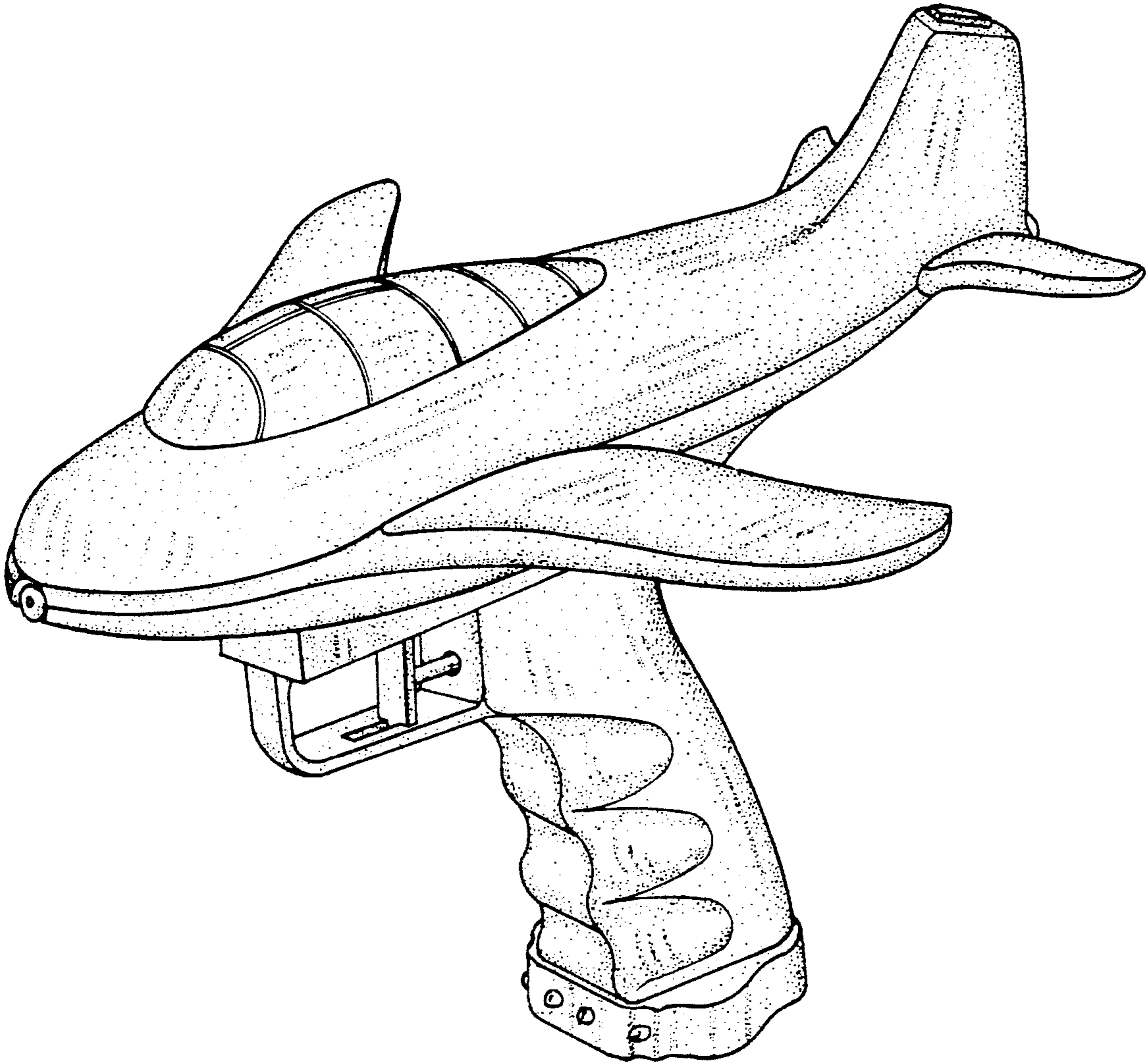


FIG. 2

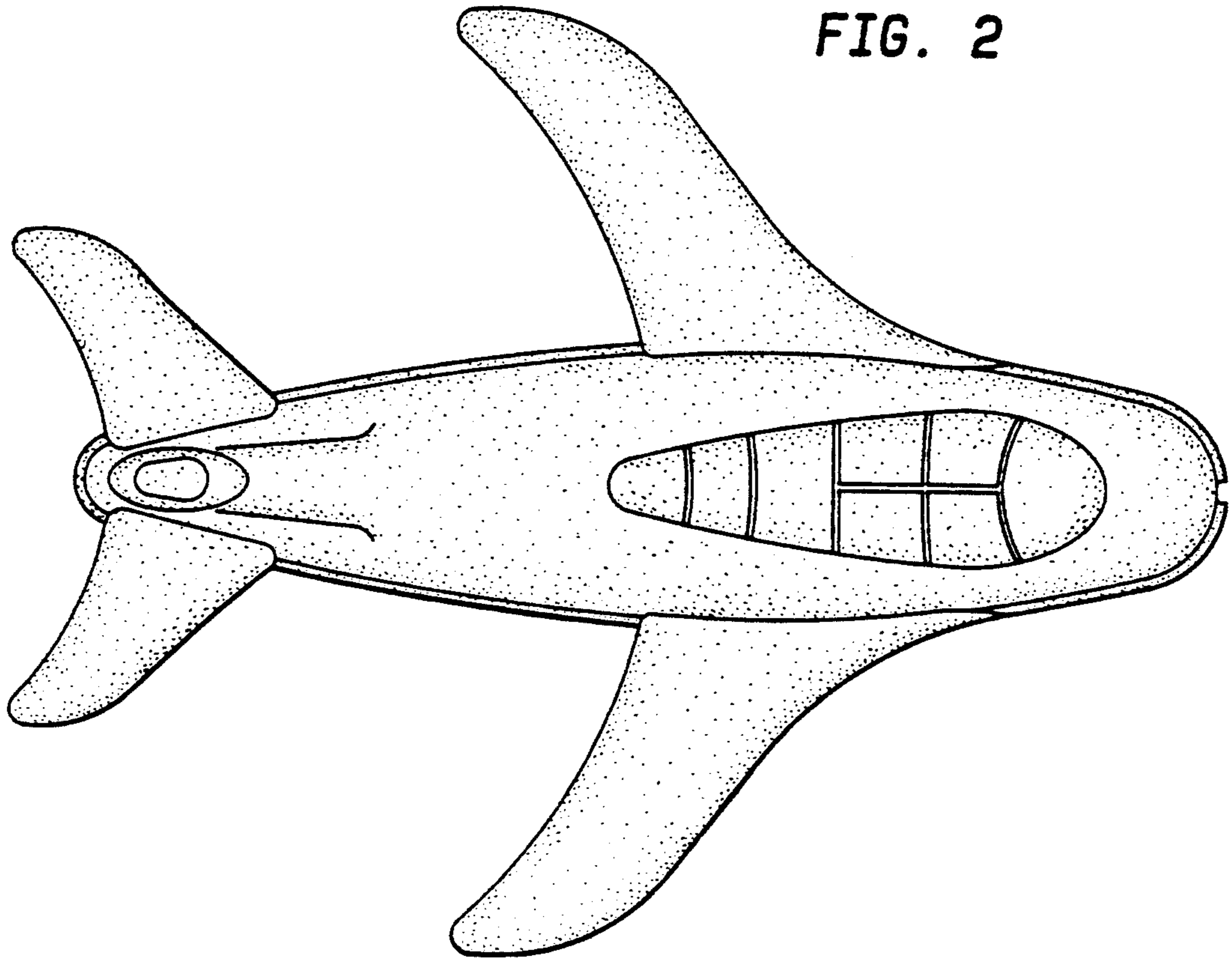


FIG. 3

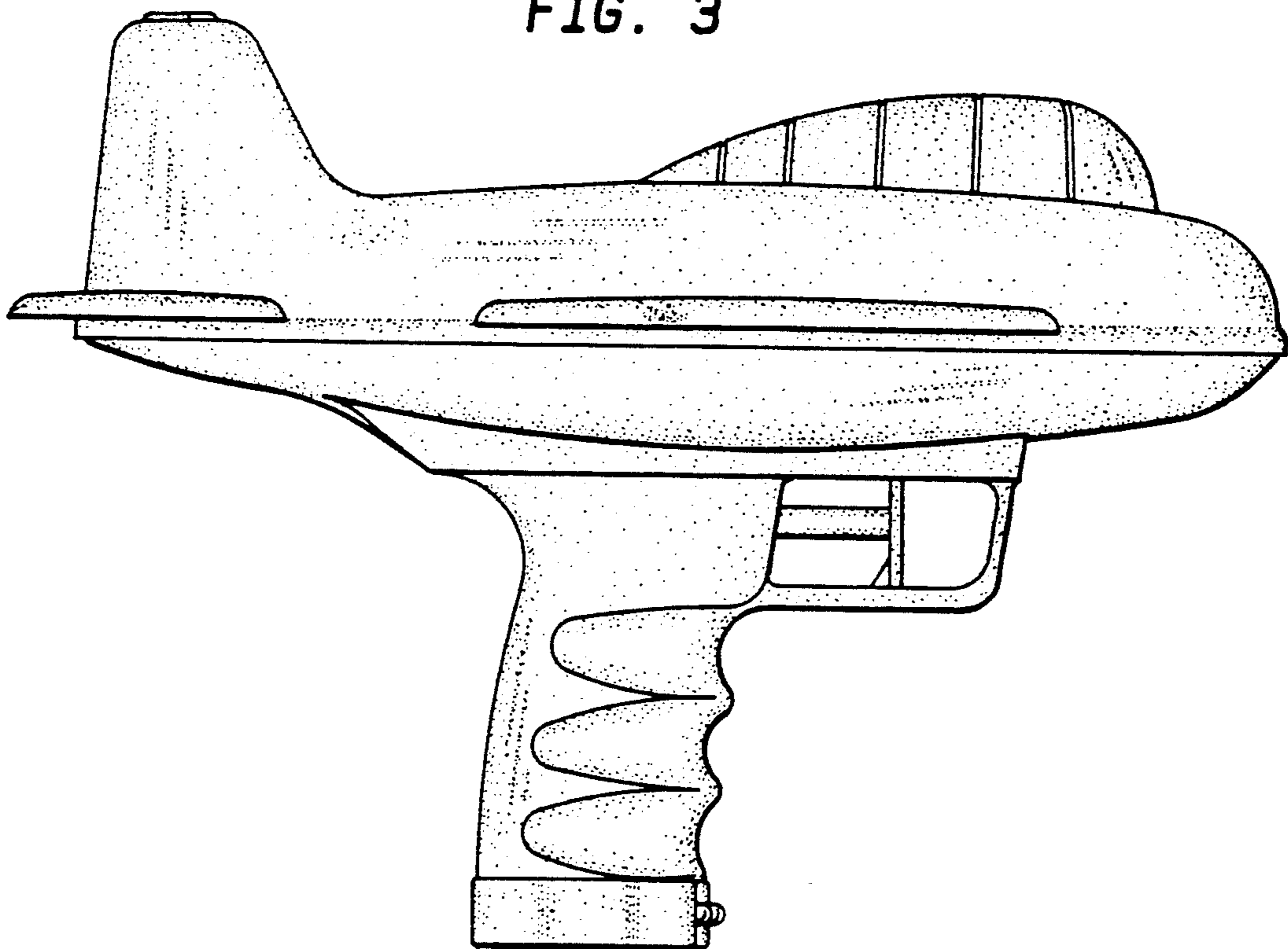


FIG. 4

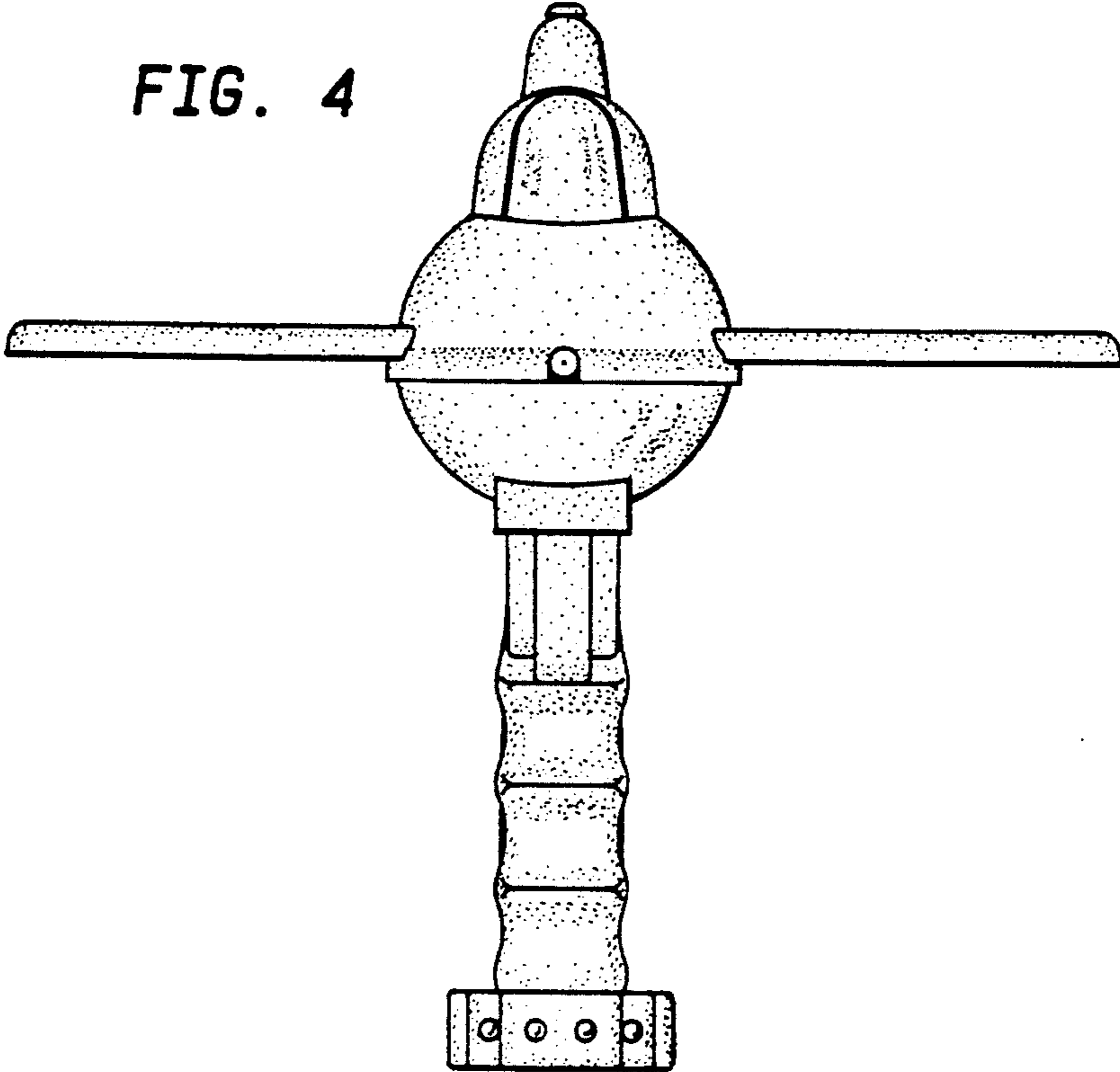


FIG. 5

