



US00D348911S

# United States Patent [19]

[11] Patent Number: **Des. 348,911**

**Herrick et al.**

[45] Date of Patent: **\*\* Jul. 19, 1994**

[54] **TOY RACING CAR CHASSIS**

3,613,307 10/1971 Baynes ..... D21/141  
4,940,442 7/1990 Matsuda ..... 446/471

[76] Inventors: **Robert B. Herrick**, 2904 Blueberry Ct., Plano, Tex. 75074; **Jesse P. Kensinger**, 206 Ocean Dr., Richardson, Tex. 75081

*Primary Examiner*—Bernard Ansher  
*Assistant Examiner*—R. Barkai  
*Attorney, Agent, or Firm*—W. Kirk McCord

[\*\*] Term: **14 Years**

[57] **CLAIM**

[21] Appl. No.: **820,945**

The ornamental design for a toy racing car chassis, as shown and described.

[22] Filed: **Jan. 8, 1992**

[52] U.S. Cl. .... **D21/141**

[58] Field of Search ..... **446/471, 446; D21/136, D21/137, 141**

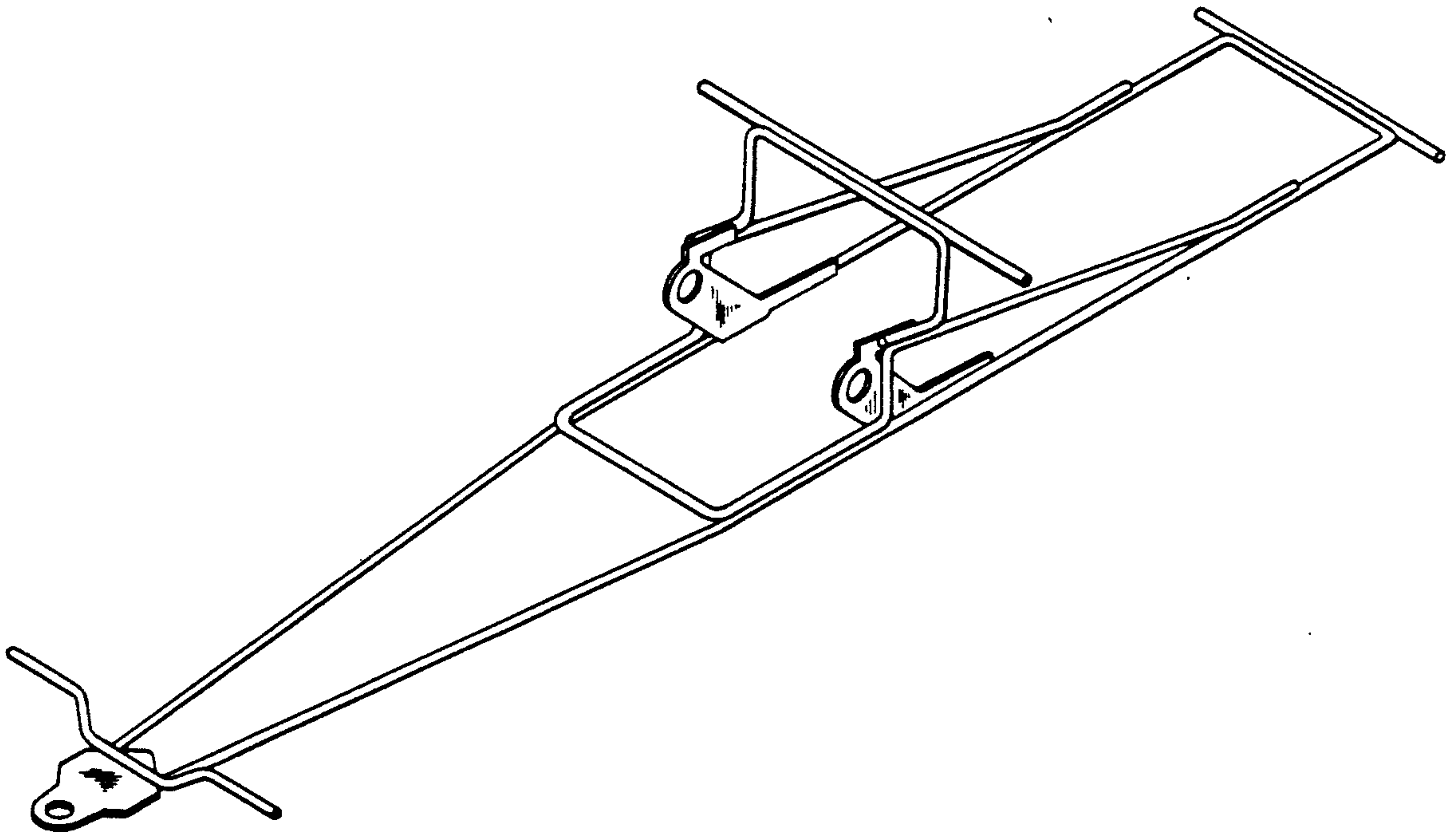
**DESCRIPTION**

[56] **References Cited**

**U.S. PATENT DOCUMENTS**

D. 282,677 2/1986 Arigaya ..... D21/141  
D. 332,978 2/1993 Tsuchiya ..... D21/141  
1,905,649 4/1933 Peake ..... 446/471

FIG. 1 is a perspective view of our new design for a toy racing car chassis;  
FIG. 2 is a top plan view thereof;  
FIG. 3 is a left side view thereof, the right side view being a mirror image of the left side view;  
FIG. 4 is a bottom plan view thereof;  
FIG. 5 is a front end view thereof; and,  
FIG. 6 is a rear end view thereof.



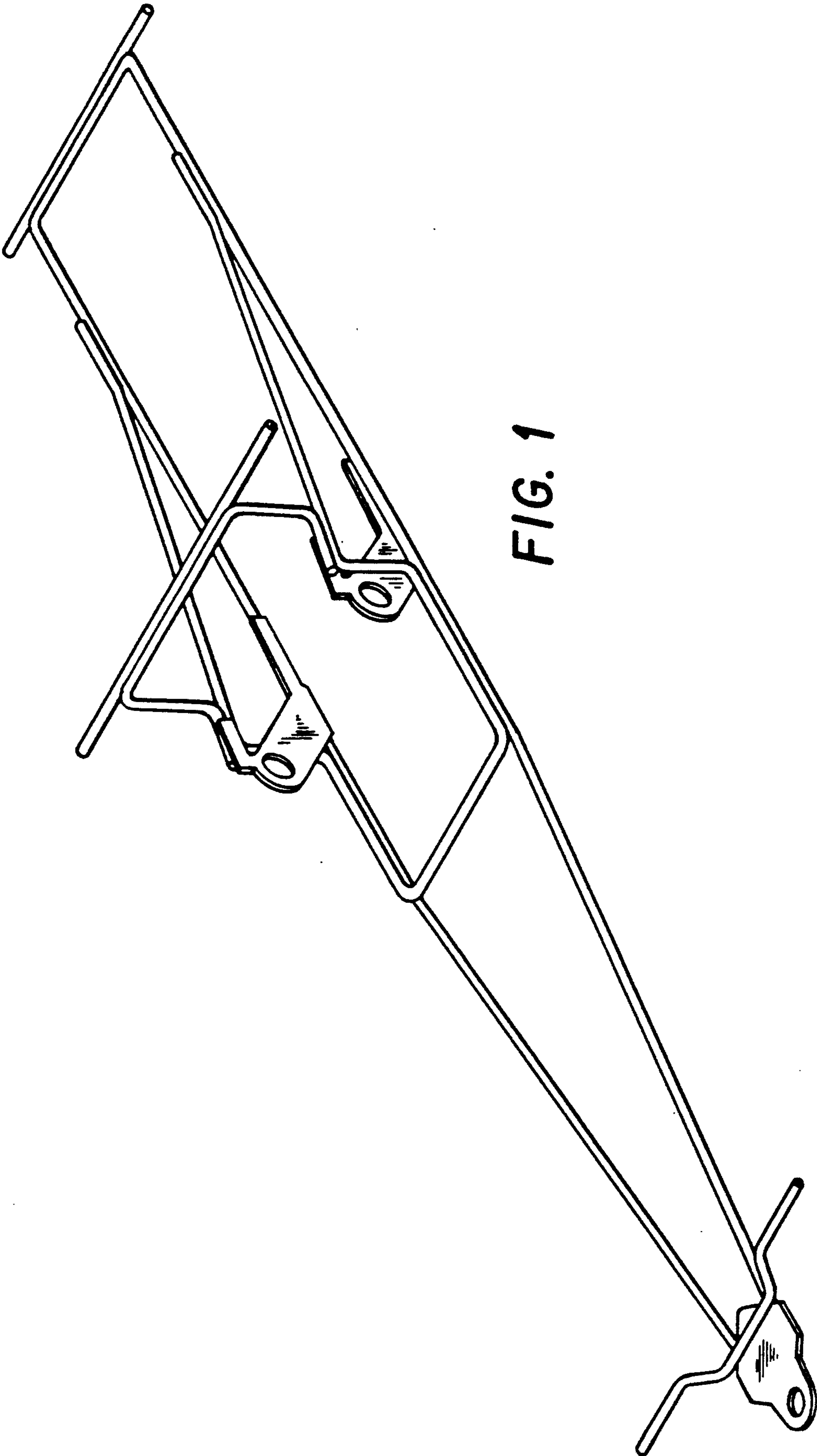


FIG. 1

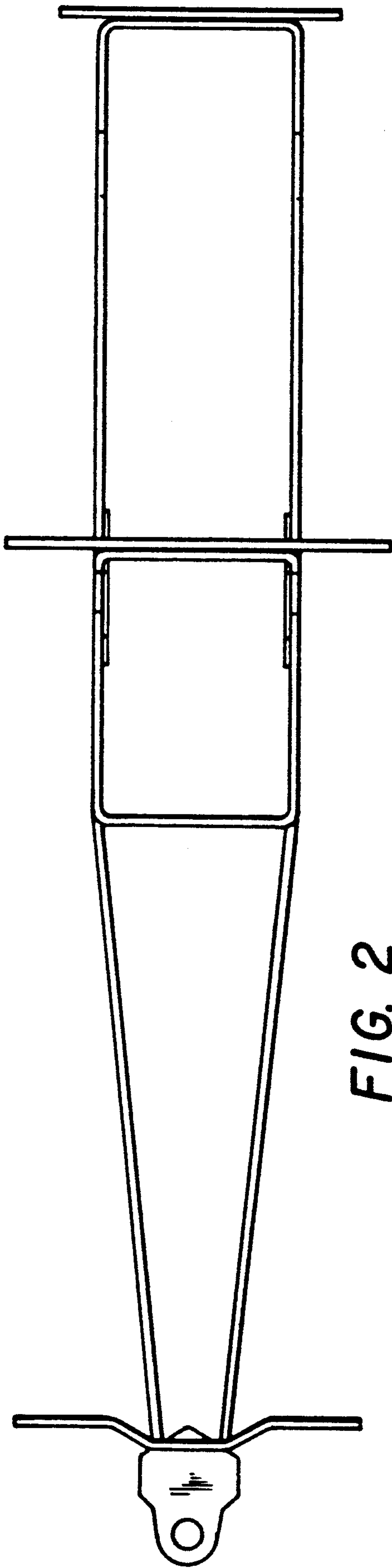


FIG. 2

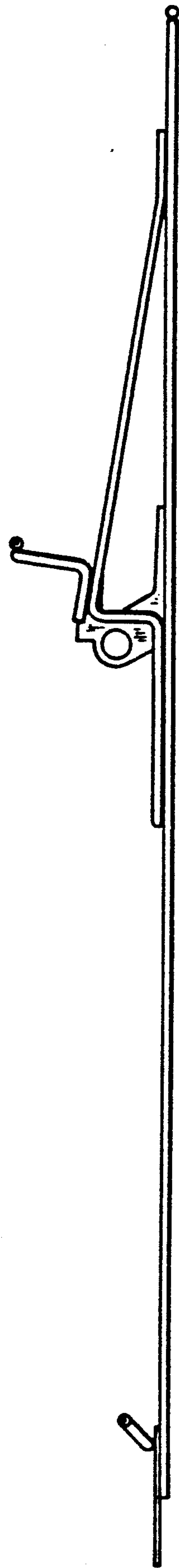


FIG. 3

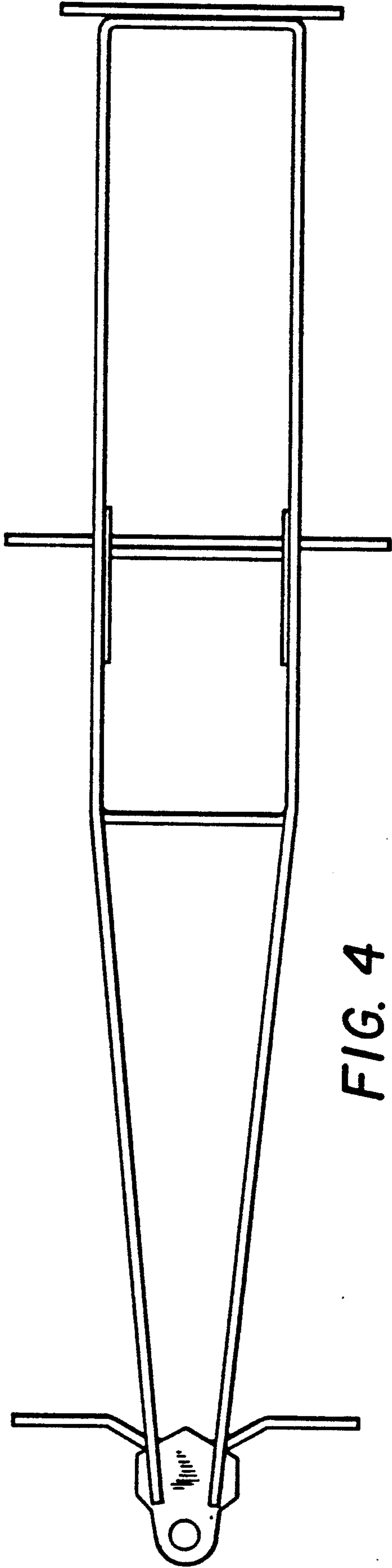


FIG. 4

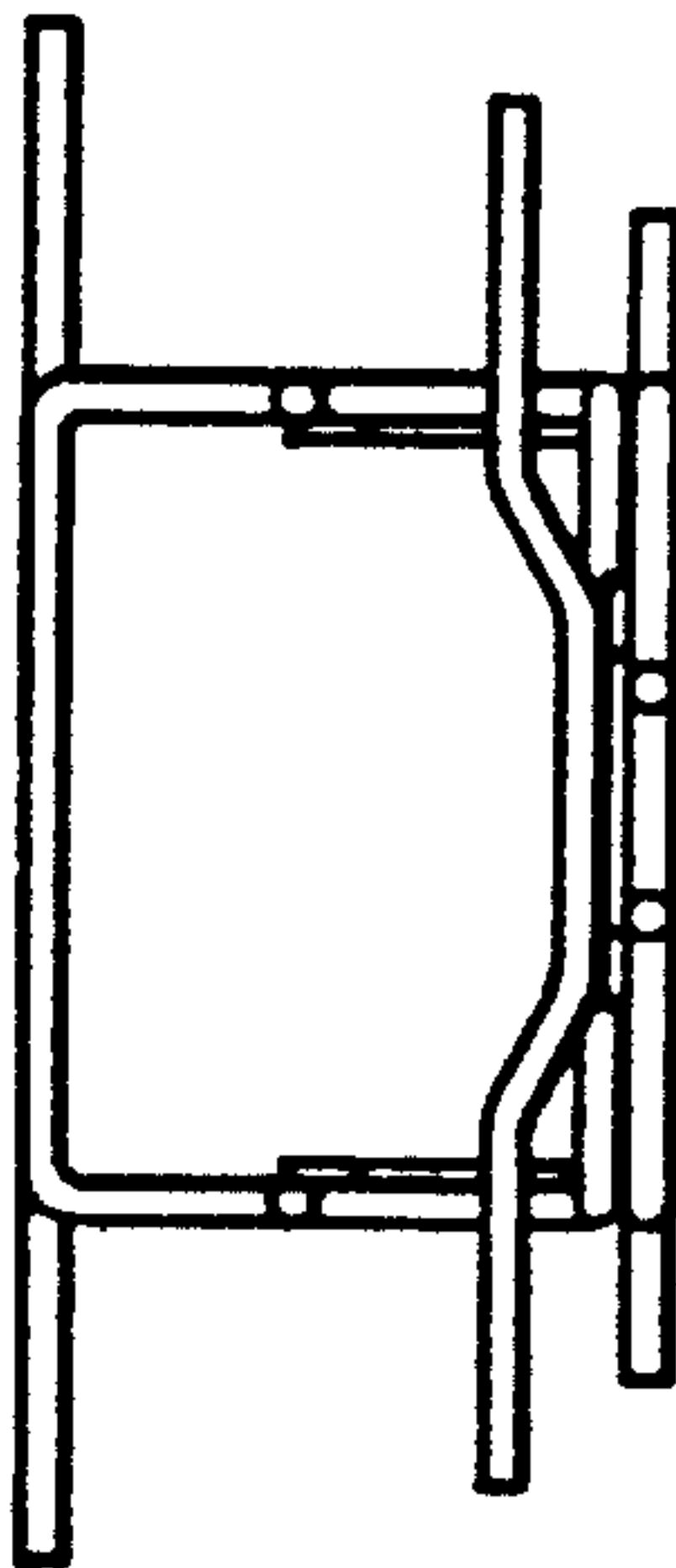


FIG. 5

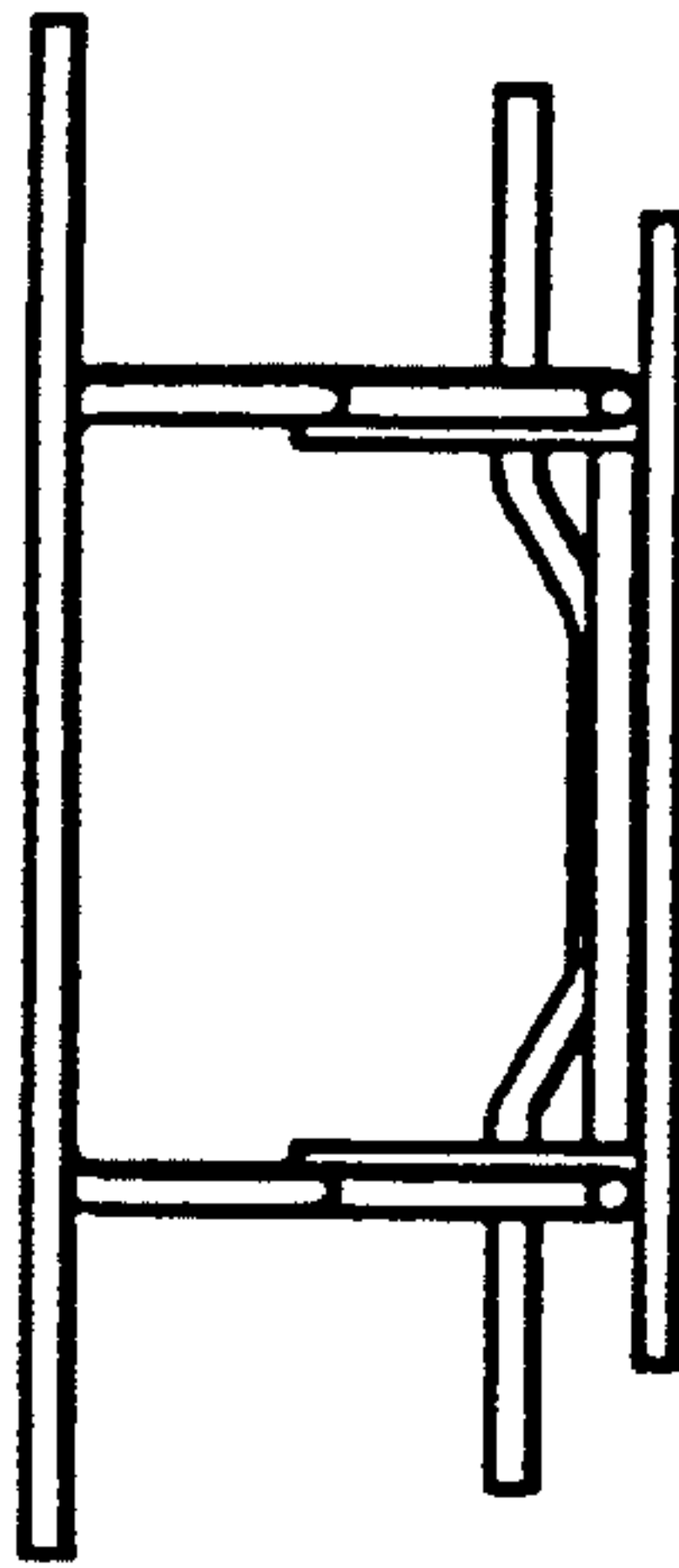


FIG. 6