



US00D348909S

United States Patent [19]

[11] Patent Number: Des. 348,909

Nakanishi

[45] Date of Patent: ** Jul. 19, 1994

[54] DISTRIBUTION UNIT FOR MULTIPLE CONTROLLERS FOR VIDEO GAMES

[75] Inventor: Yutaka Nakanishi, Tokyo, Japan

[73] Assignee: Yonezawa Corporation, Tokyo, Japan

[**] Term: 14 Years

[21] Appl. No.: 6,950

[22] Filed: Apr. 9, 1993

[30] Foreign Application Priority Data

Nov. 5, 1992 [JP] Japan 4-32375

[52] U.S. Cl. D21/48

[58] Field of Search 273/148 R, 433-438, 273/DIG. 28, DIG. 30; D21/1, 48, 13; D13/146, 147, 123; D14/114

[56] References Cited

U.S. PATENT DOCUMENTS

D. 299,726 2/1989 Yukawa D21/48 X

D. 330,704 11/1992 Wagner D13/147 X

D. 333,686 3/1993 Barr et al. D21/48

4,501,424 2/1985 Stone et al. 273/148 B

5,052,685 10/1991 Lowe et al. 273/DIG. 28 X

5,259,626 11/1993 Ho 273/148 B X

OTHER PUBLICATIONS

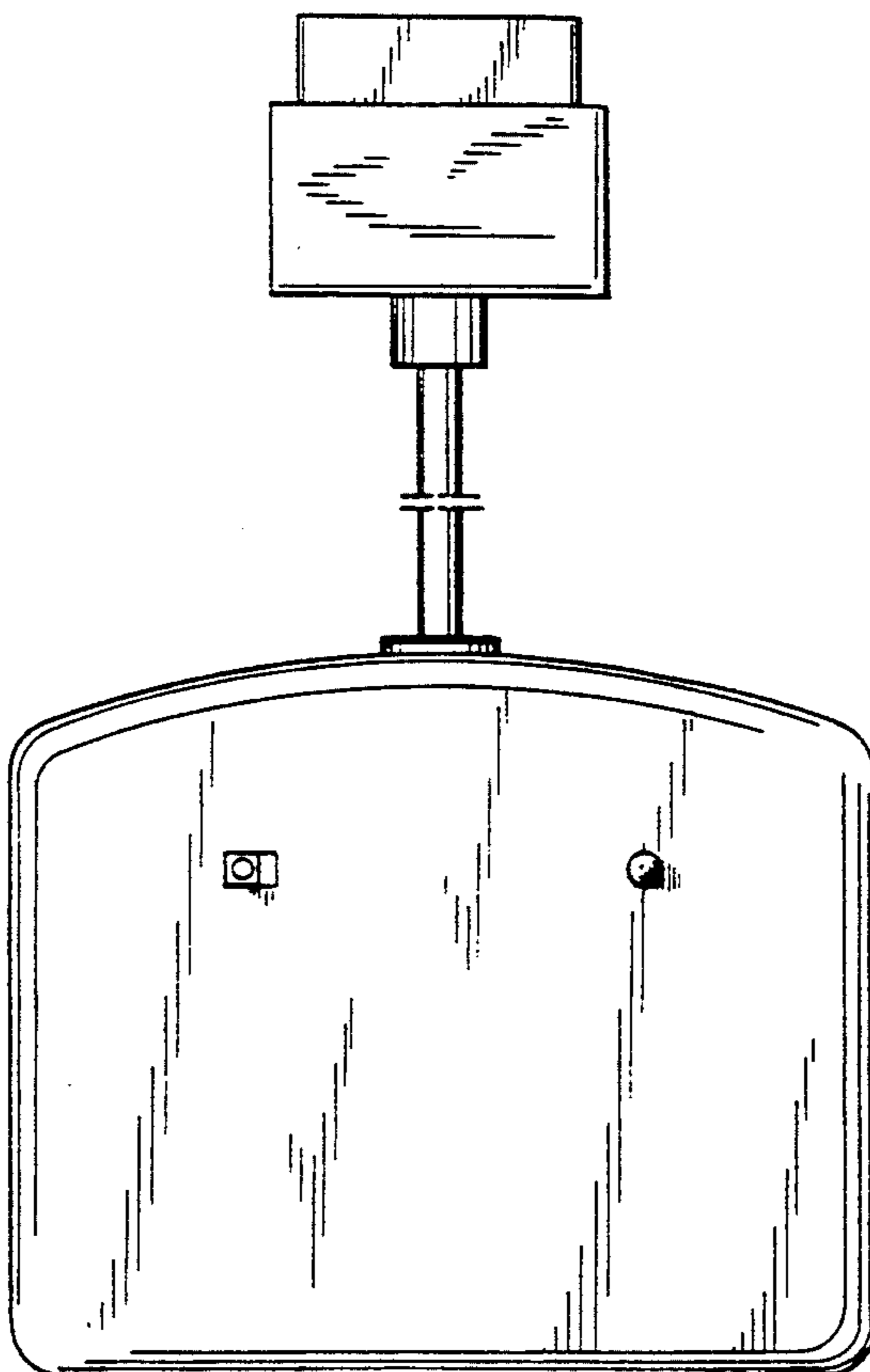
Global Computer Supplies, Jul. 1992, p. 83,
Primary Examiner—Prabhakar G. Deshmukh
Attorney, Agent, or Firm—Flynn, Thiel, Boutell & Tanis

[57] CLAIM

The ornamental design for a distribution unit for multiple controllers for video games, as shown and described.

DESCRIPTION

FIG. 1 is a top view of the distribution unit for multiple controllers for video games embodying my new design; FIG. 2 is a bottom view thereof; FIG. 3 is a front view thereof; FIG. 4 is a rear view thereof; FIG. 5 is a right side view thereof; FIG. 6 is a left side view thereof; FIG. 7 is a sectional view of the distribution unit as taken along line 7—7 of FIG. 3, but with the internal structure eliminated for purposes of illustration; FIG. 8 is a sectional view of the distribution unit taken along line 8—8 of FIG. 5, but with the internal structure eliminated for purposes of illustration; and, FIG. 9 is a perspective view thereof. The broken line showing of hand held controllers, video game control and conduits in FIG. 9 is for illustrative purpose only and forms no part of the claim.



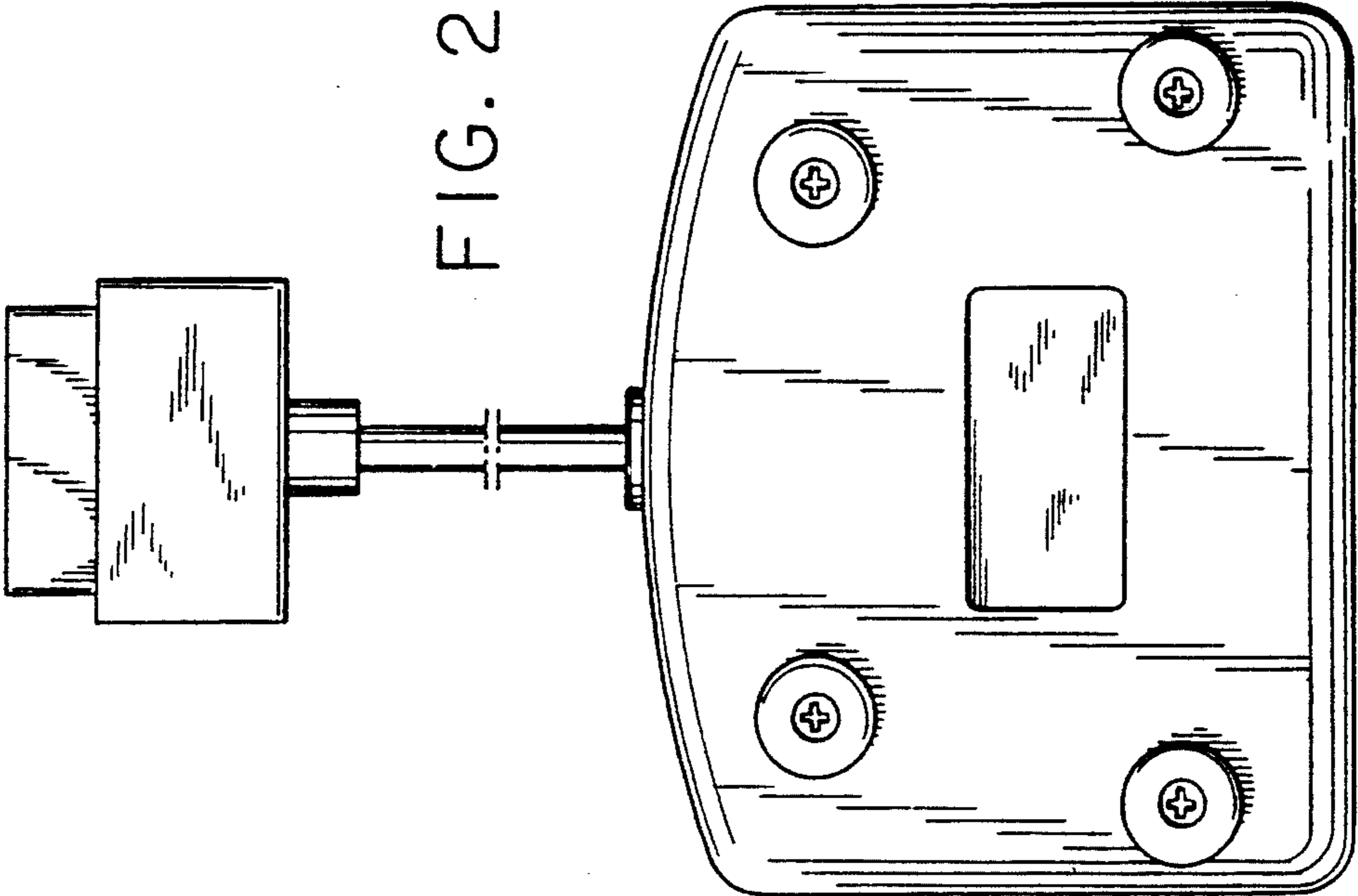


FIG. 2

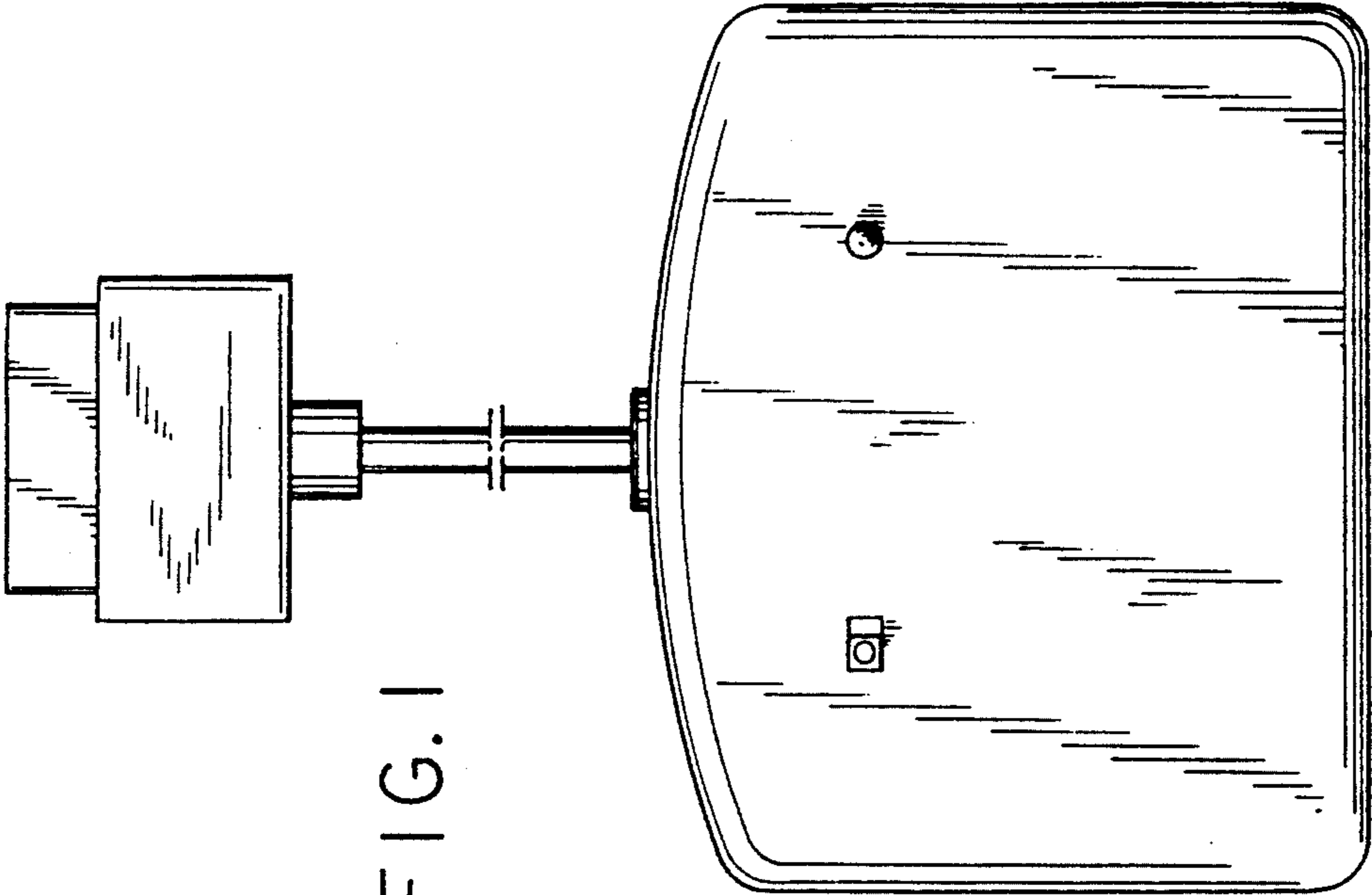


FIG. 1

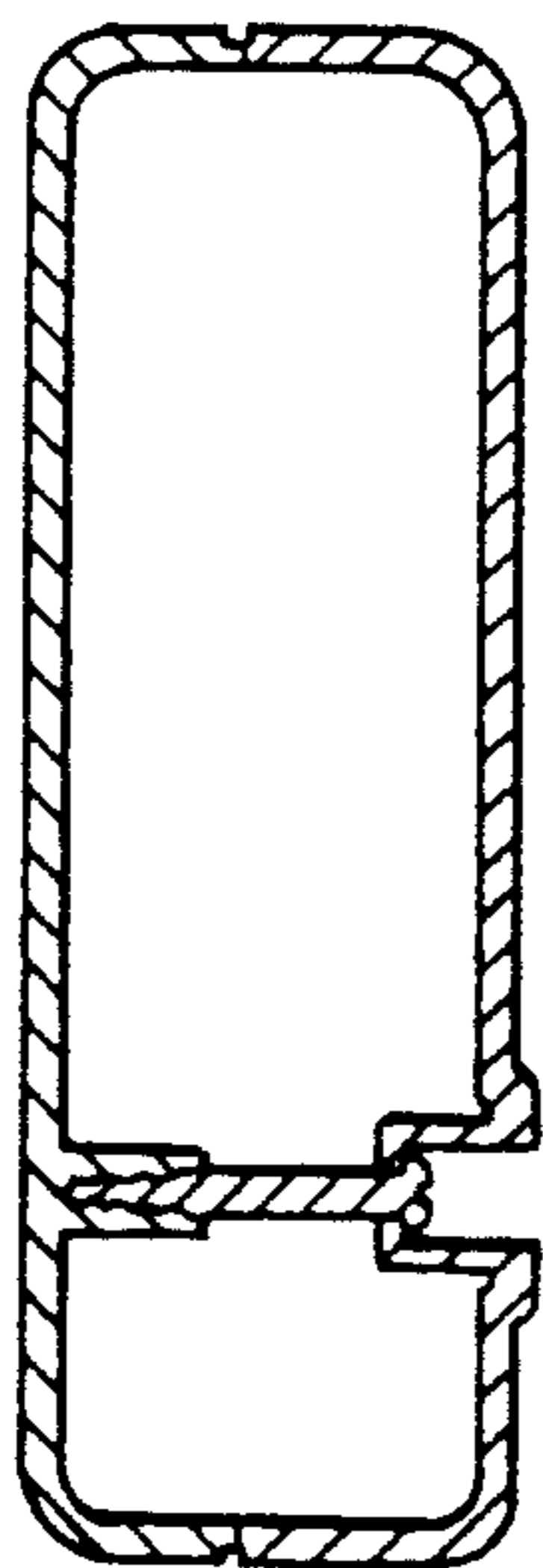


FIG. 7

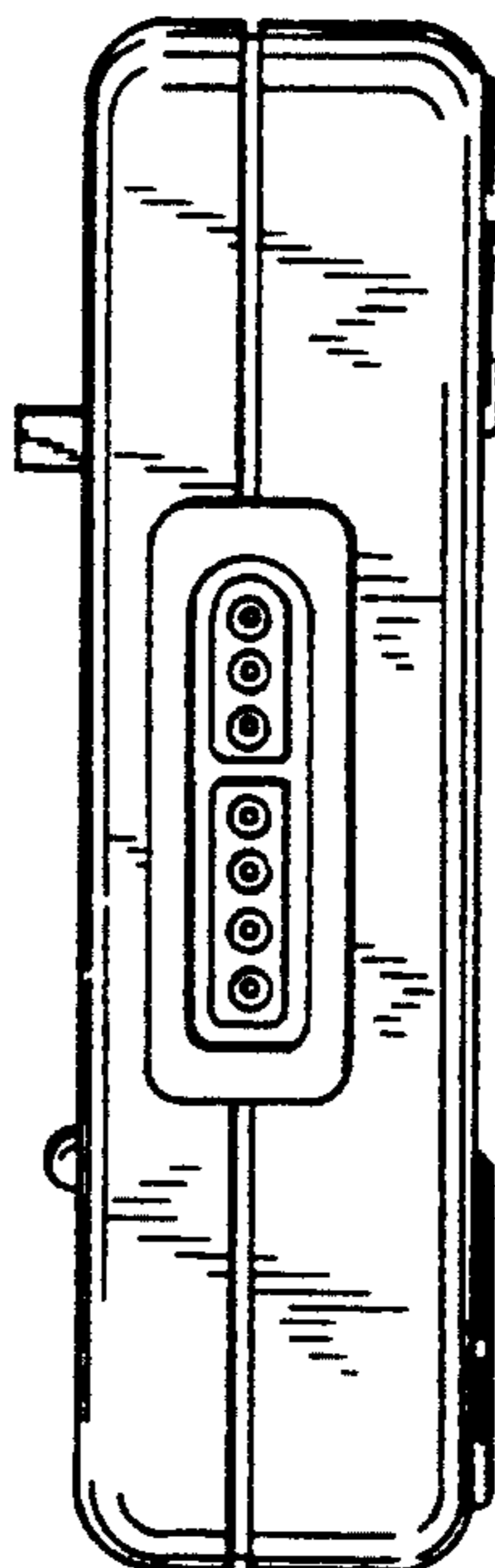


FIG. 4

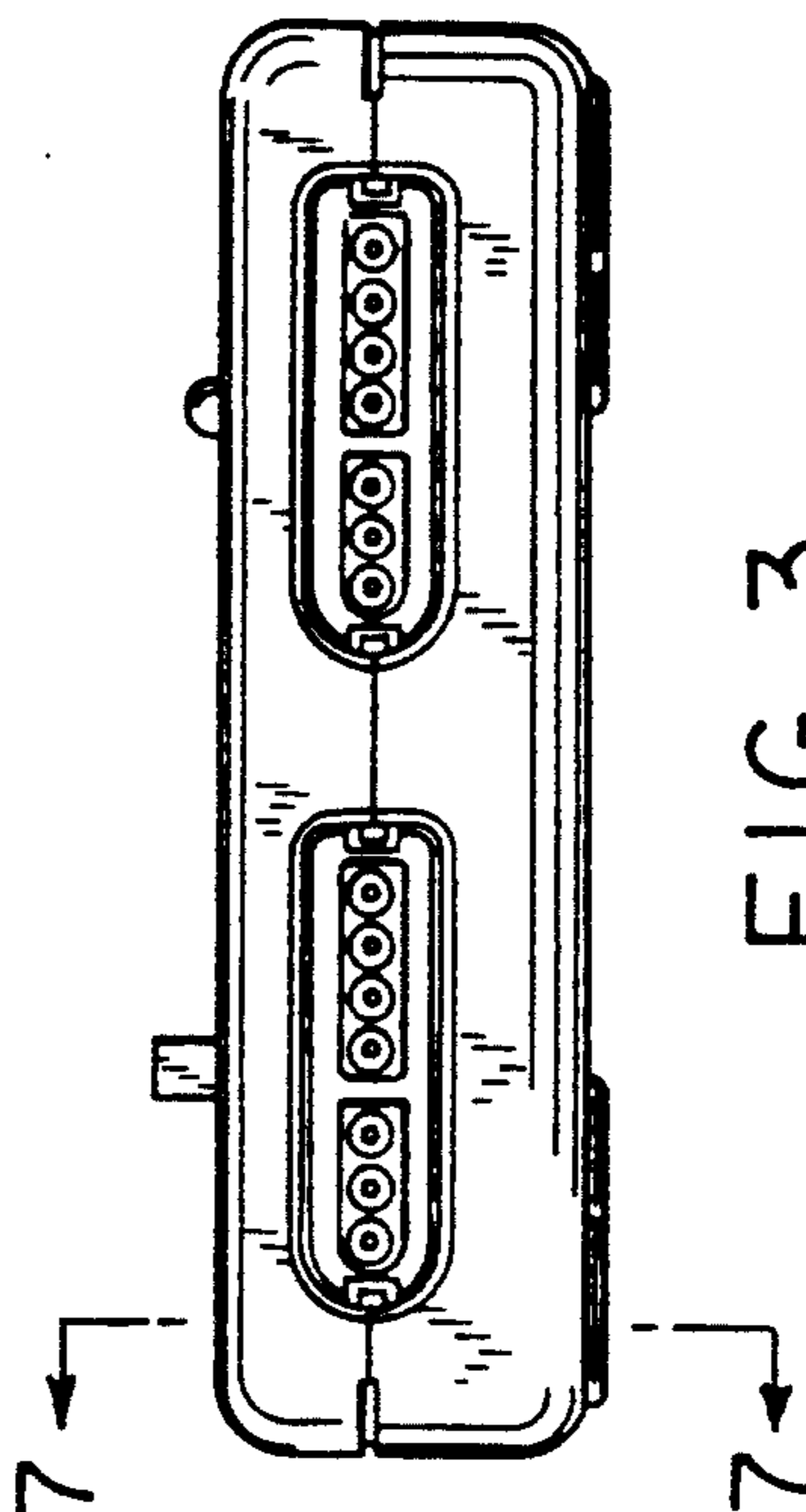


FIG. 3

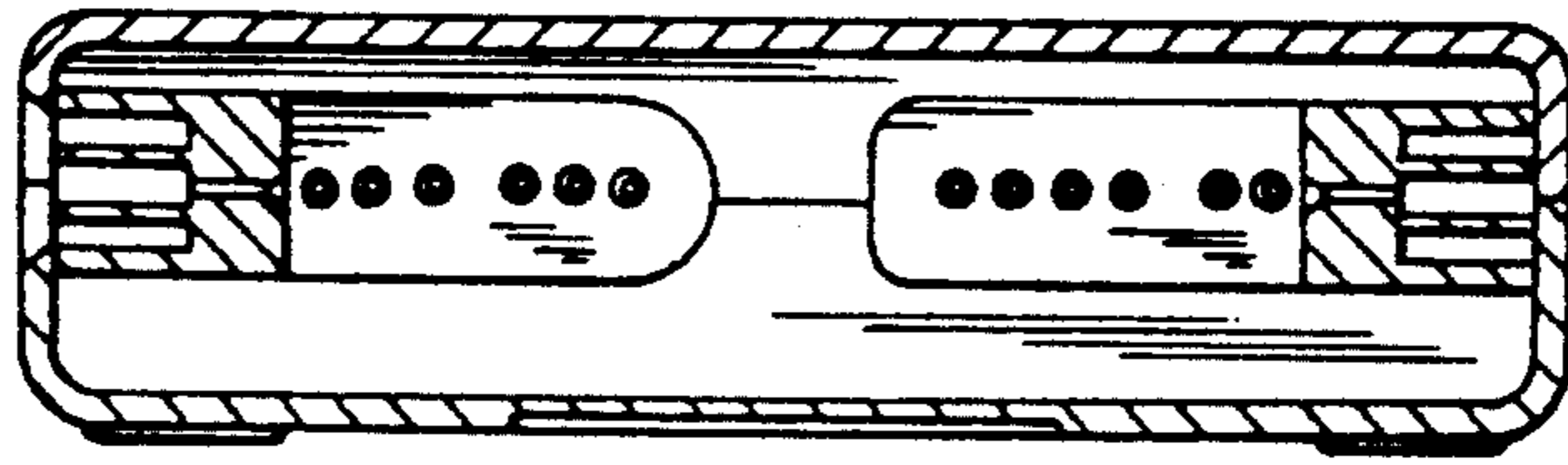


FIG. 8

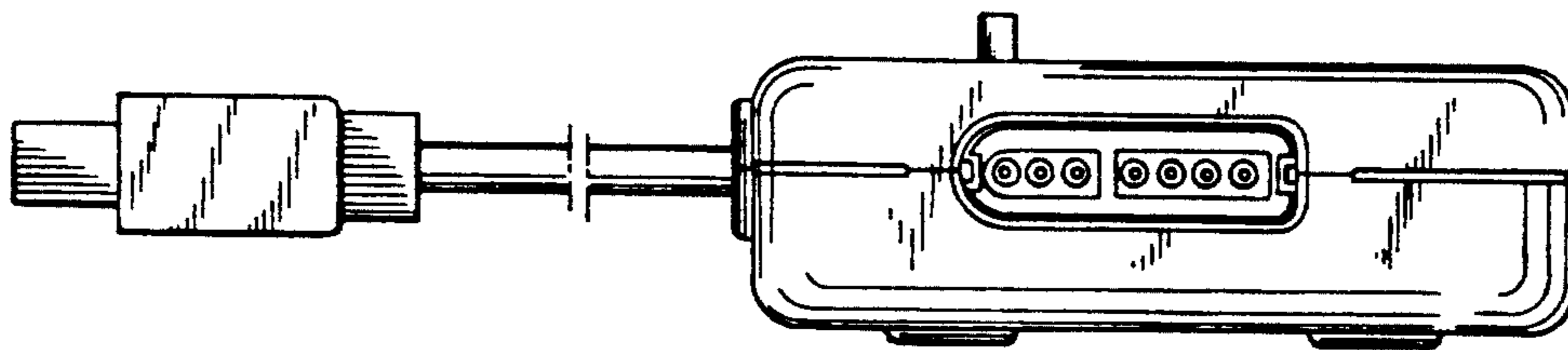
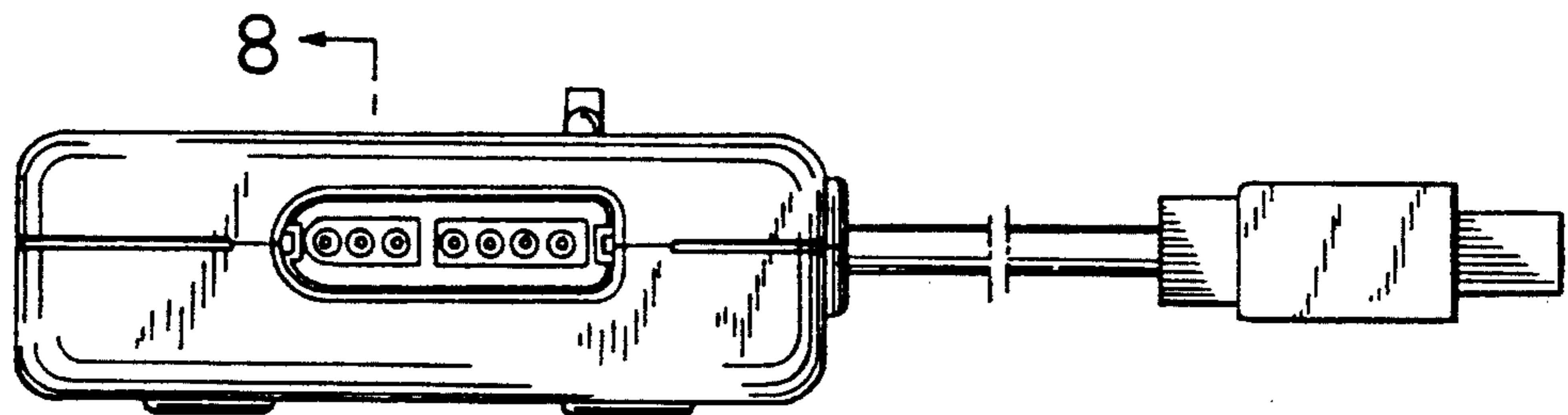


FIG. 6



8
8
FIG. 5

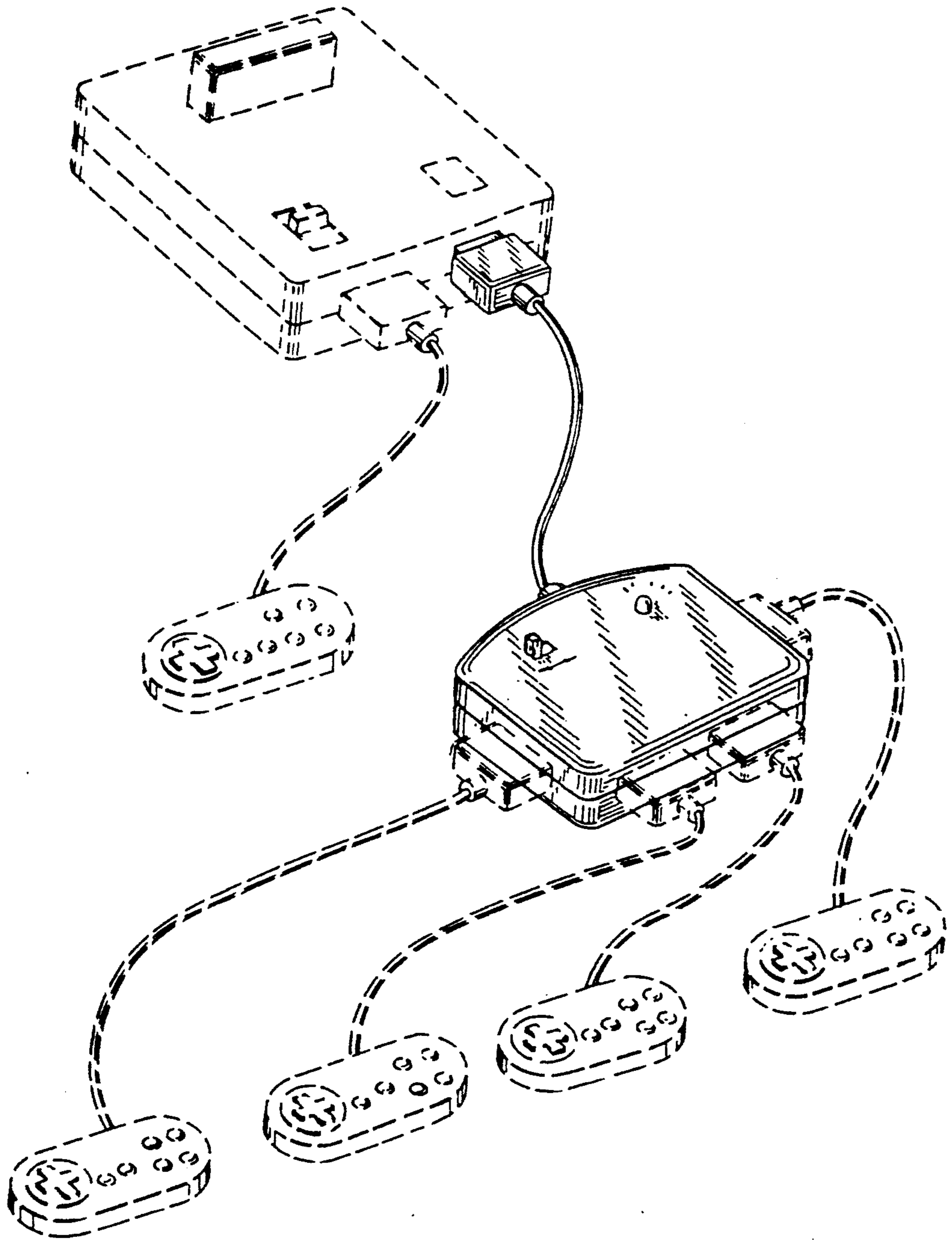


FIG. 9