



US00D348908S

United States Patent [19] Seiler

[11] Patent Number: **Des. 348,908**
[45] Date of Patent: **** Jul. 19, 1994**

[54] THREE DIMENSIONAL CHECKERBOARD

[76] Inventor: **Michael Seiler**, 10 Elmwood Ct.,
Plainview, N.Y. 11803

[**] Term: **14 Years**

[21] Appl. No.: **2,764**

[22] Filed: **Dec. 21, 1992**

[52] U.S. Cl. **D21/23**

[58] Field of Search **273/236-285;**
D21/14-36

[56] References Cited

U.S. PATENT DOCUMENTS

D. 308,549	6/1990	Gengler	D21/23
1,877,154	9/1932	Weaver	D21/23
3,684,285	8/1972	Kane	273/241
5,249,805	10/1993	Neil et al.	273/237

FOREIGN PATENT DOCUMENTS

1460250 12/1976 United Kingdom 273/241

OTHER PUBLICATIONS

Crestline Brochure, 1970, No. 501 Checkline Tic-Tac-Toe Game, top.

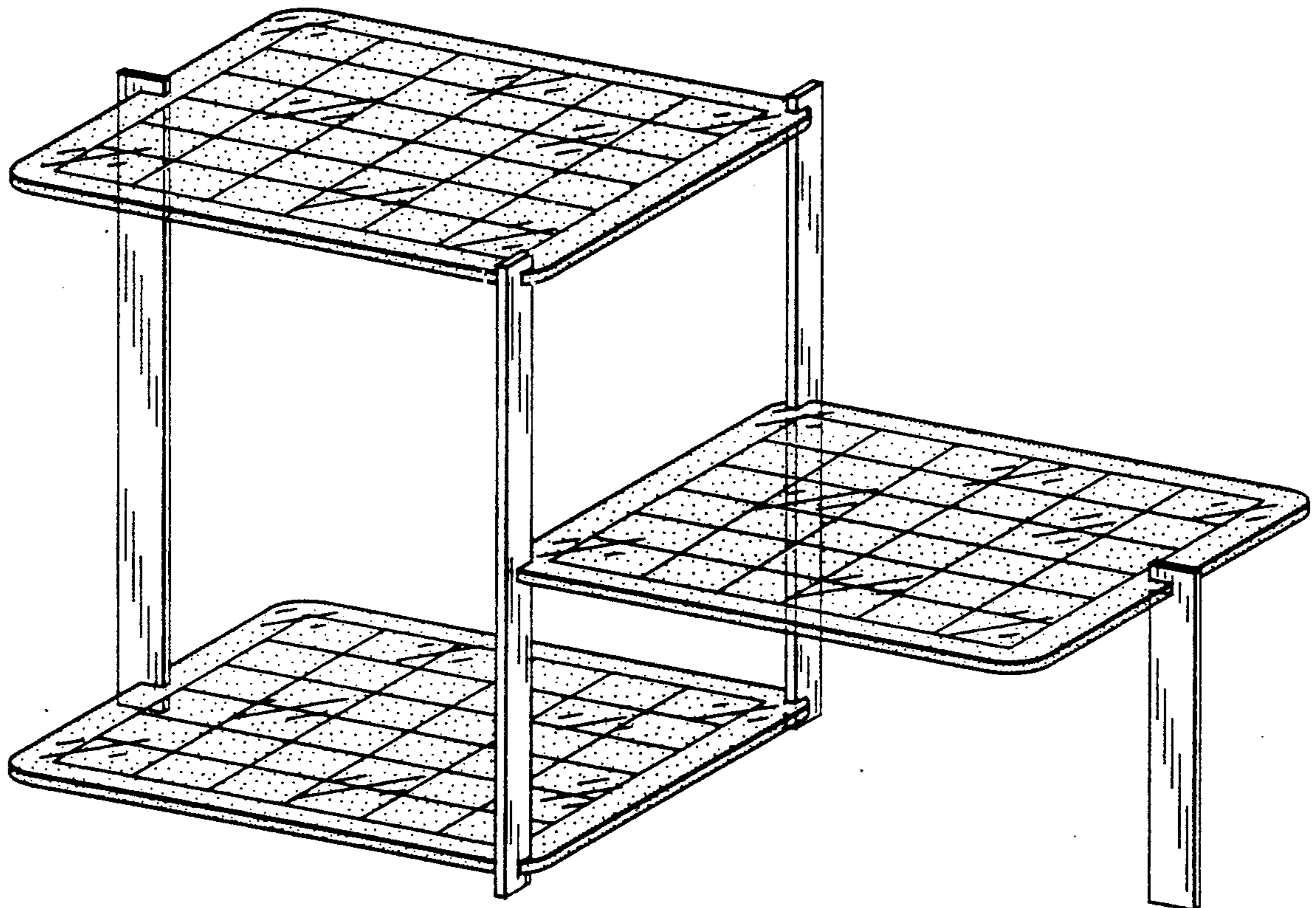
Primary Examiner—Bernard Ansher
Assistant Examiner—Sandra Morris
Attorney, Agent, or Firm—Edward H. Loveman

[57] CLAIM

The ornamental design of a three dimensional checkerboard, as shown and described.

DESCRIPTION

FIG. 1 is a perspective view of a three dimensional checkerboard showing my new design;
FIG. 2 is a top plan view thereof;
FIG. 3 is a front elevational view thereof;
FIG. 4 is a left side elevational view thereof; and,
FIG. 5 is a right side elevational view thereof.



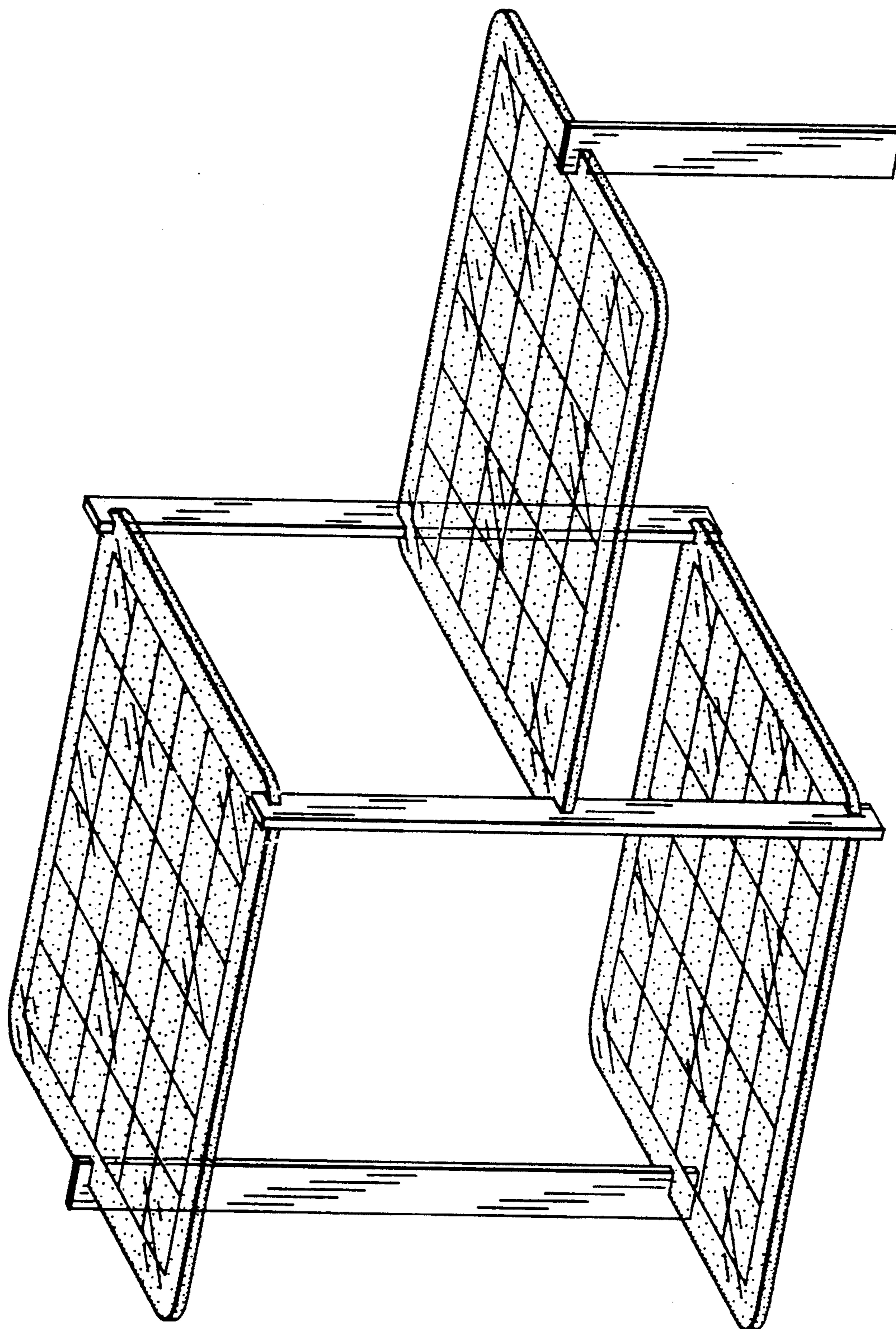


FIG. 1

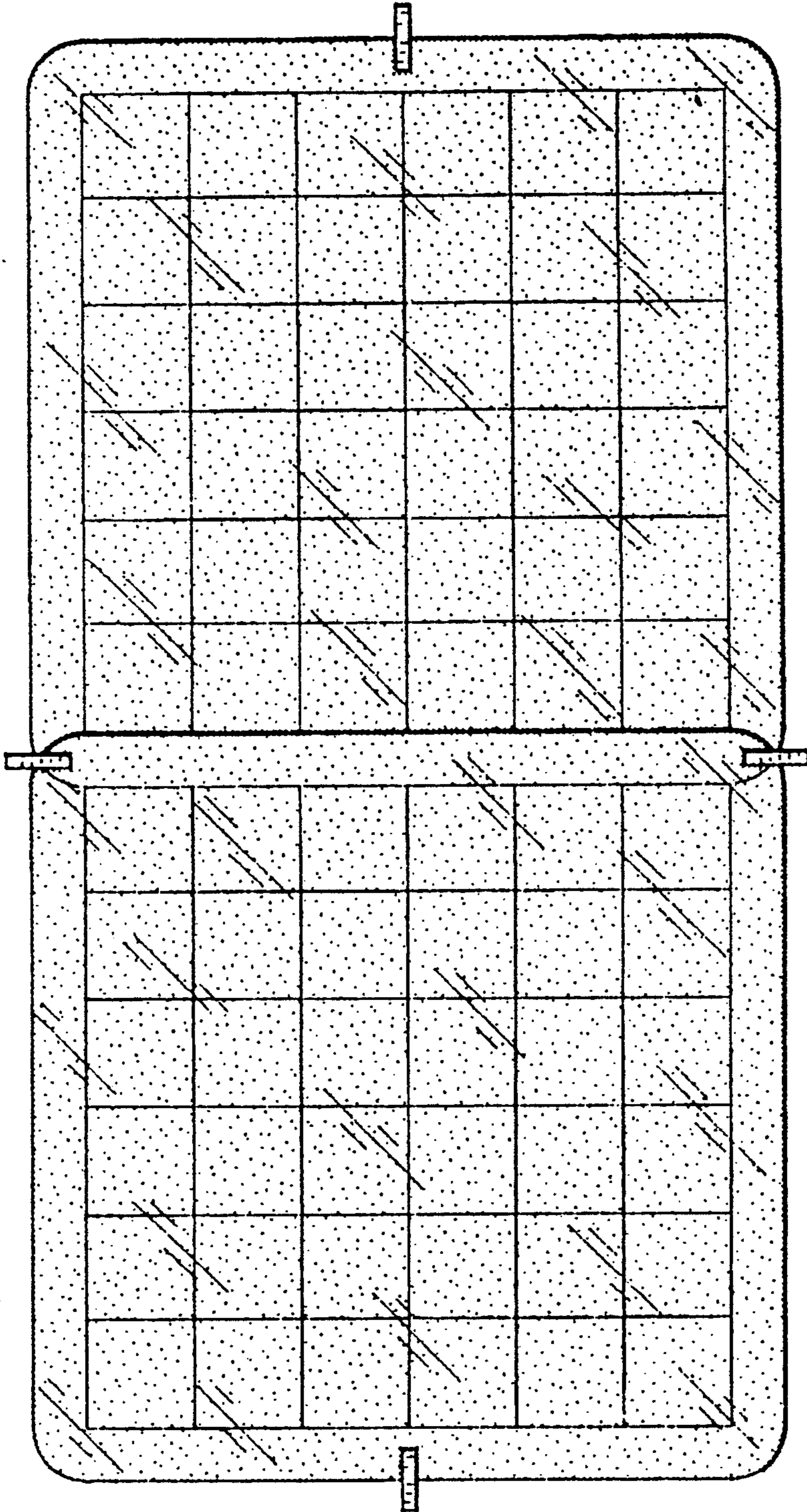


FIG. 2

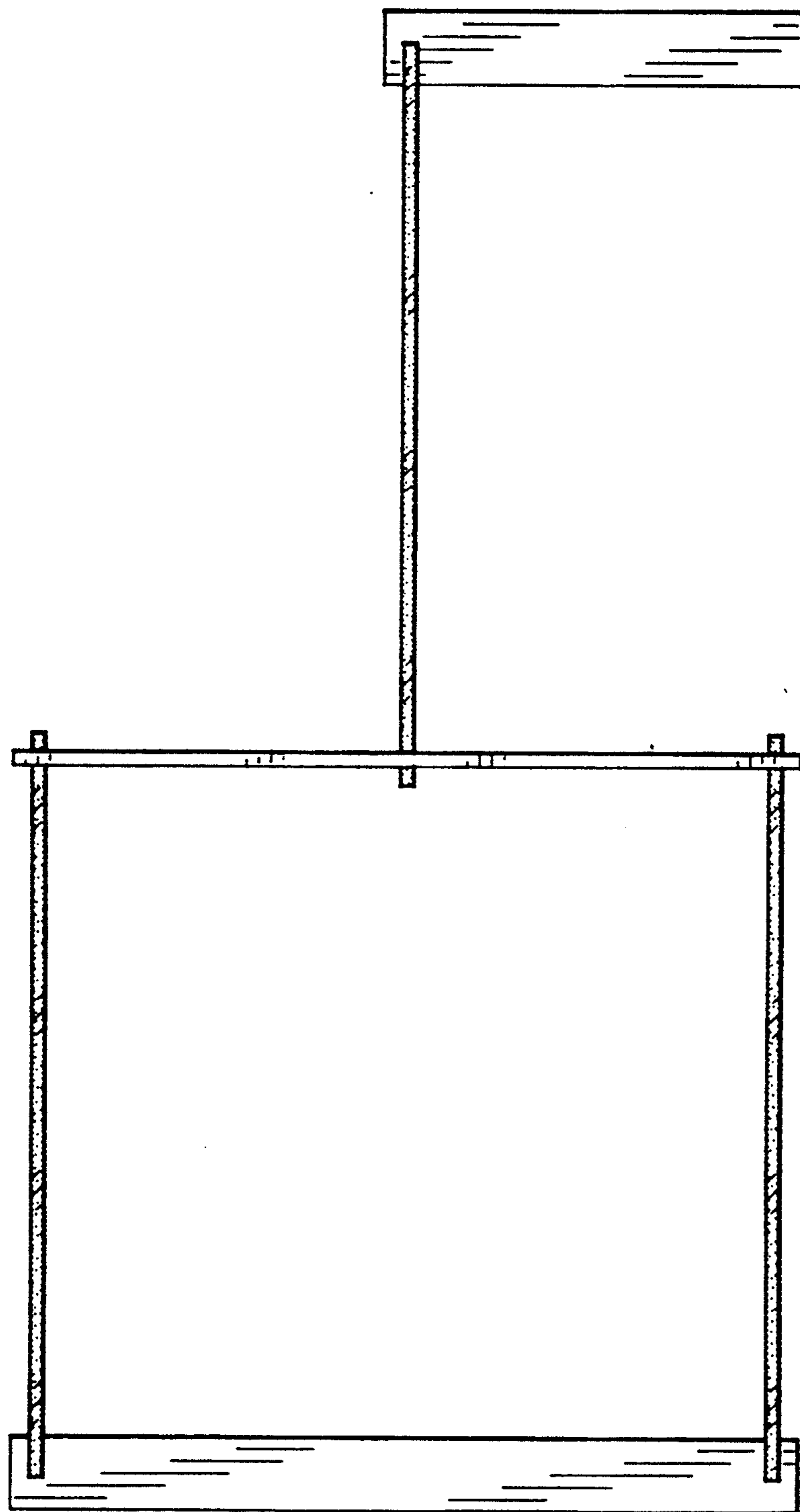


FIG. 3

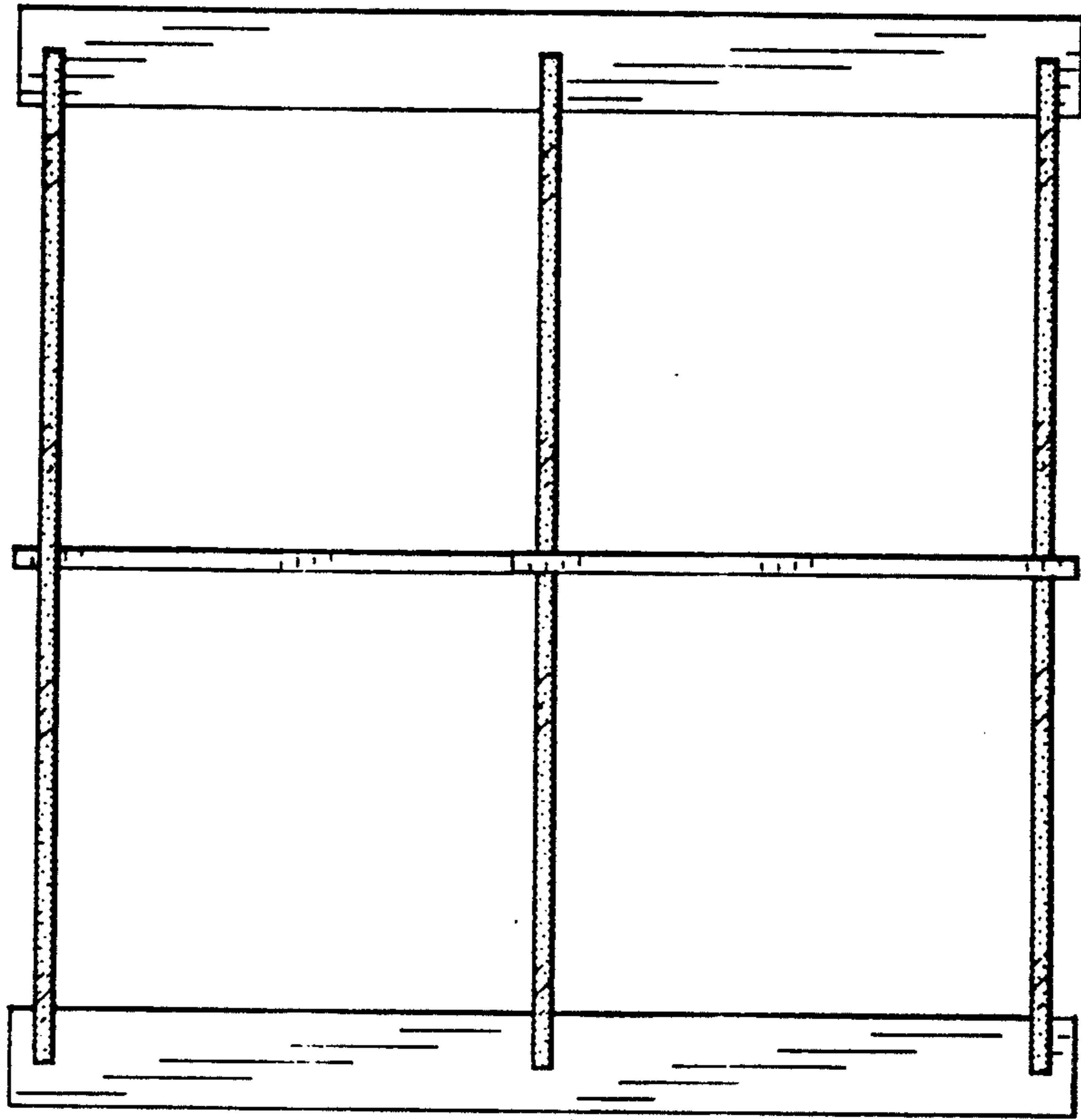


FIG. 5

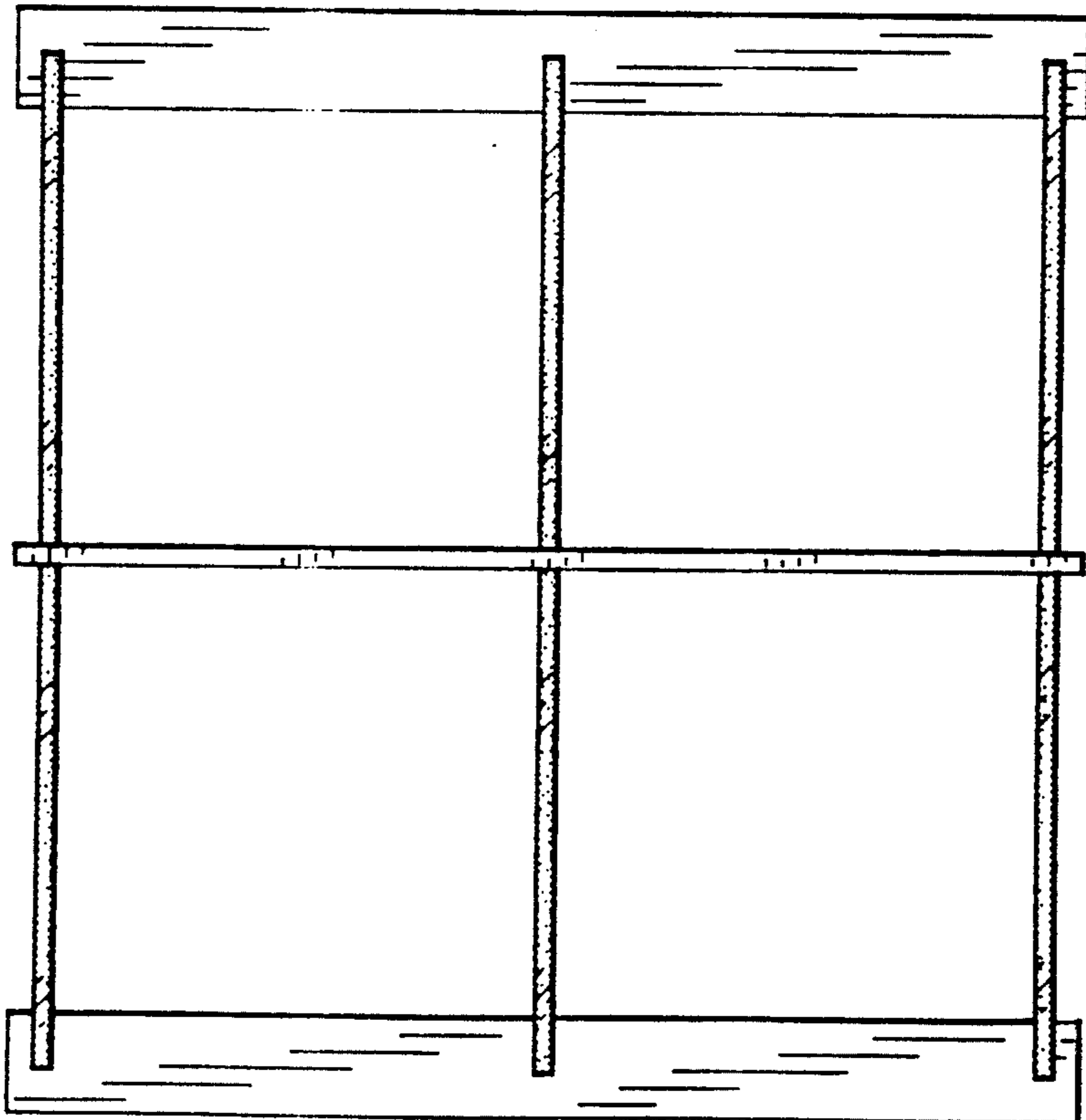


FIG. 4