



US00D348904S

United States Patent [19]

[11] Patent Number: **Des. 348,904**

Linder

[45] Date of Patent: **** Jul. 19, 1994**

[54] **HORIZONTALLY-MOUNTABLE PAPER TRAY**

D. 288,504 3/1987 Wright et al. D6/511
D. 334,774 4/1993 Prey D19/92
D. 336,806 6/1993 Zoellner D6/510

[75] Inventor: **Steven E. Linder**, Portland, Oreg.

Primary Examiner—Nelson C. Holtje
Assistant Examiner—Martie Thompson
Attorney, Agent, or Firm—Stoel Rives Boley Jones & Grey

[73] Assignee: **Anthro Corporation**, Portland, Oreg.

[**] Term: **14 Years**

[21] Appl. No.: **1,949**

[57] **CLAIM**

[22] Filed: **Nov. 24, 1992**

The ornamental design for a horizontally-mountable paper tray, as shown and described.

[52] U.S. Cl. **D19/92; D6/511; D19/86**

DESCRIPTION

[58] **Field of Search** **D6/510-514, D6/573-574; 312/281, 282, 126, 127; 211/10, 11, 13, 45, 86, 88, 90, 126; D19/35, 36, 65, 75, 76, 78, 91, 92, 95, 99, 100**

FIG. 1 is a top, right front perspective view of a horizontally-mountable paper tray showing my new design, the screws depicted by means of broken lines being shown for illustrative purposes only and forming no part of the claimed design;
FIG. 2 is a bottom plan view thereof;
FIG. 3 is a left side elevational view thereof;
FIG. 4 is a front elevational view thereof;
FIG. 5 is a top plan view thereof; and,
FIG. 6 is a rear elevational view thereof.

[56] **References Cited**

U.S. PATENT DOCUMENTS

D. 259,003 4/1981 Goebel D19/78 X
D. 260,907 9/1981 Giulie et al. D19/92
D. 275,771 10/1984 Evans D19/92

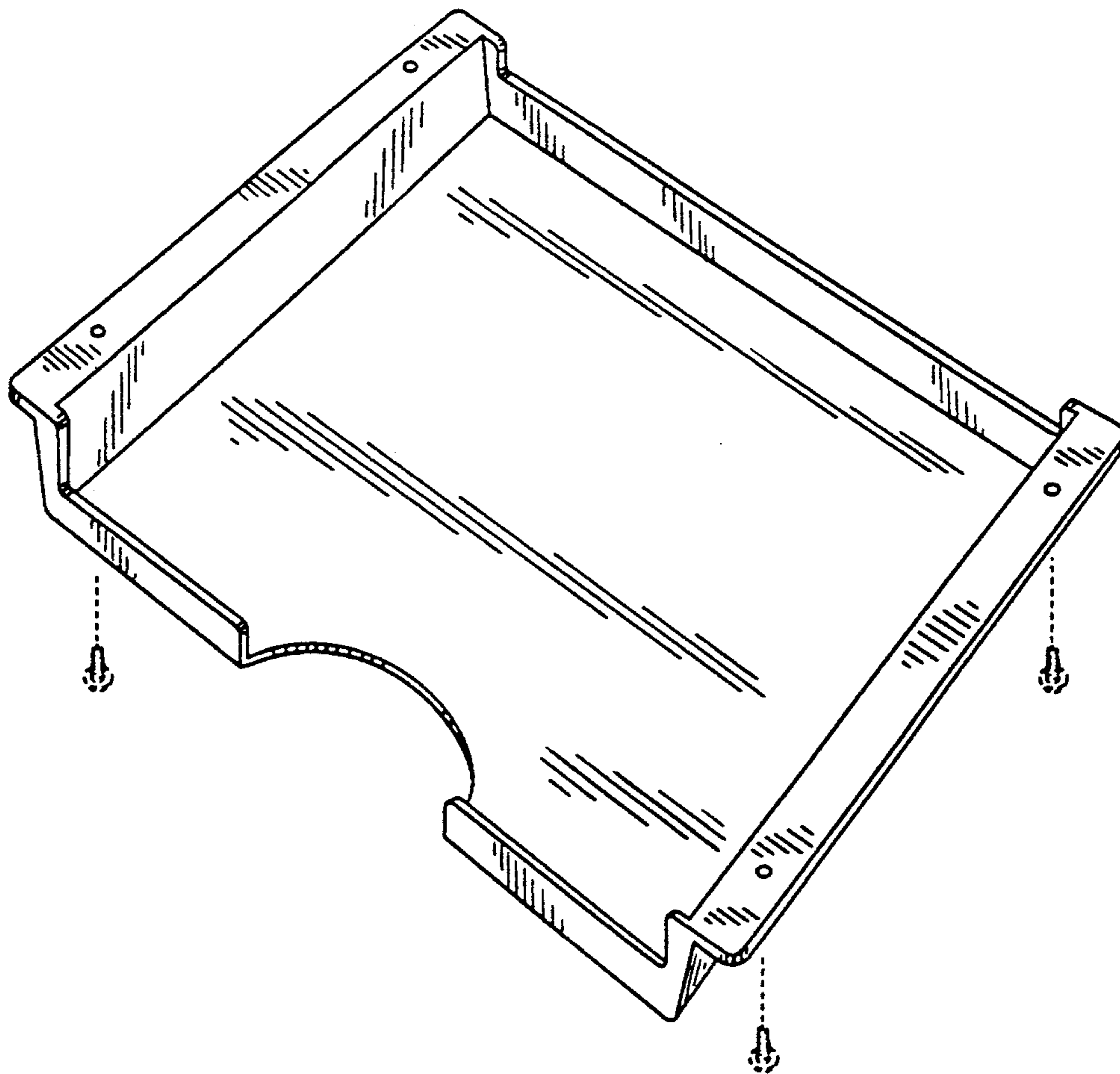


FIG. 1

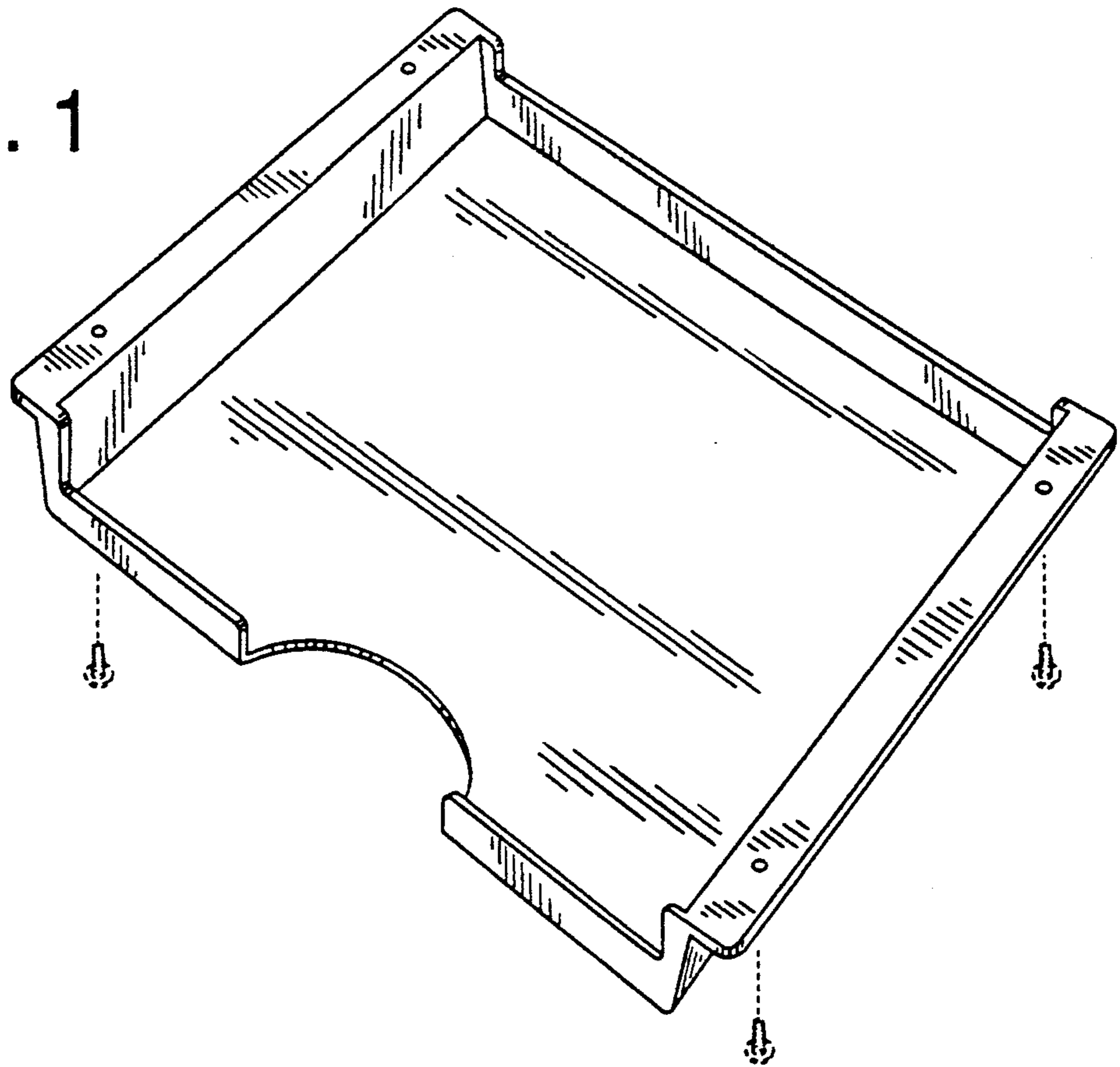


FIG. 2

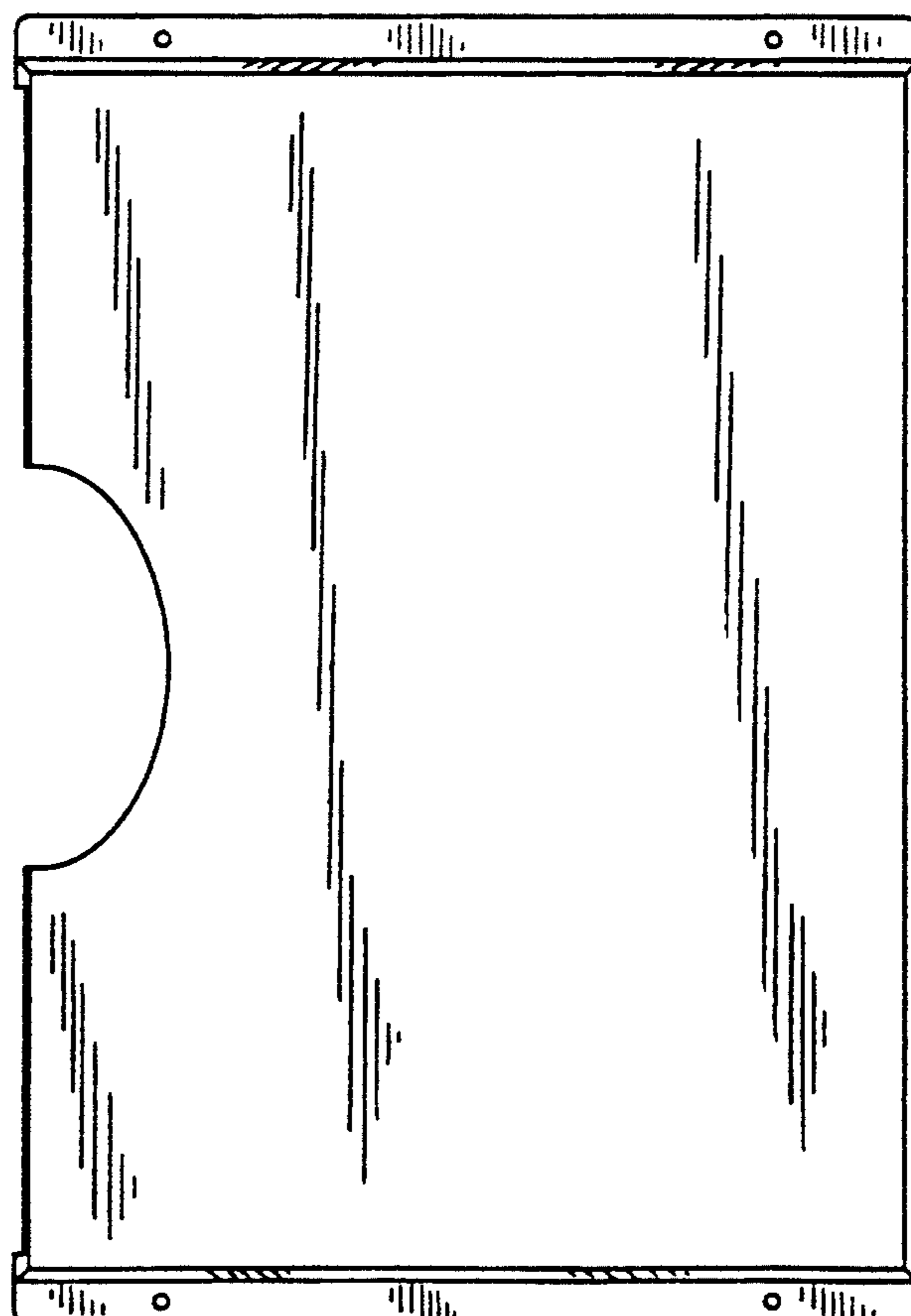


FIG. 3

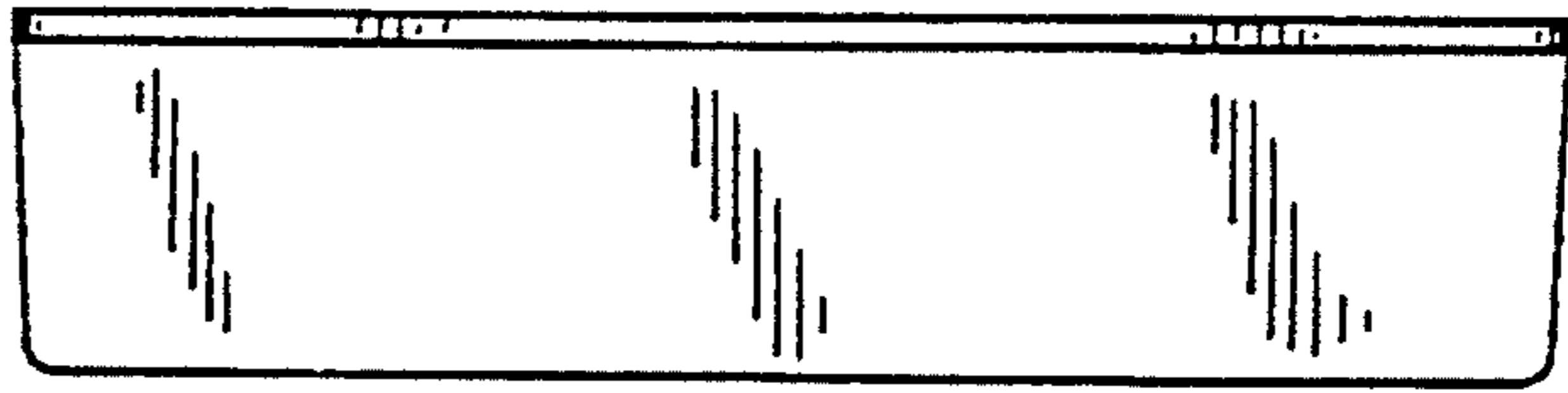


FIG. 4

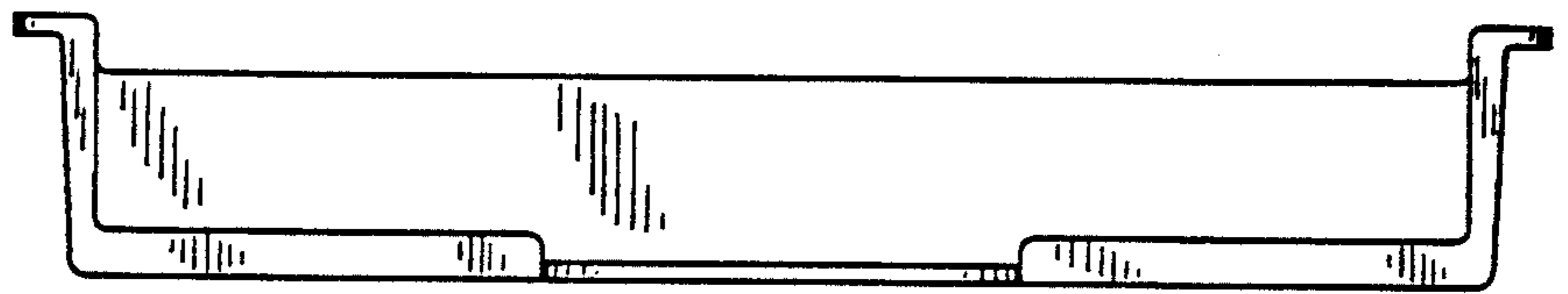


FIG. 5

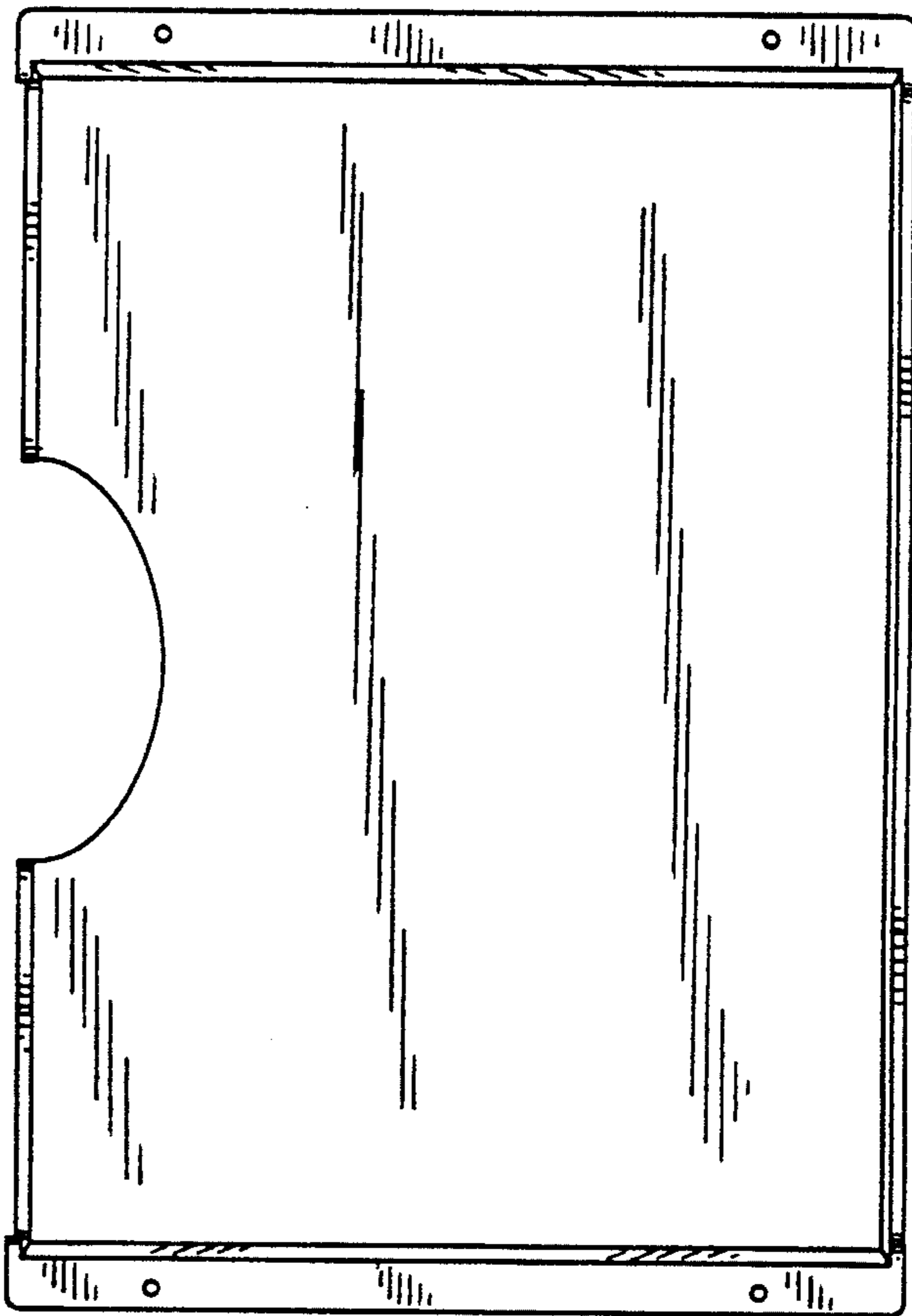


FIG. 6

