



US00D348899S

United States Patent [19]

Masujima et al.

[11] Patent Number: **Des. 348,899**

[45] Date of Patent: **** Jul. 19, 1994**

[54] **PRINTER FOR A COMPUTER**

[75] Inventors: **Ikuo Masujima; Hayato Nishikaze,**
both of Nagano, Japan

[73] Assignee: **Seiko Epson Corporation, Tokyo,**
Japan

[**] Term: **14 Years**

[21] Appl. No.: **5,506**

[22] Filed: **Mar. 5, 1993**

[30] **Foreign Application Priority Data**

Sep. 7, 1992 [JP] Japan 26416/92

[52] U.S. Cl. **D18/55**

[58] Field of Search 400/690-694,
400/613, 613.1-613.4, 690.1-690.4; D18/50,
52, 54, 55, 19

[56] **References Cited**

U.S. PATENT DOCUMENTS

D. 197,540 2/1964 Knowles D18/36

D. 220,887 6/1971 Monson D18/36

D. 253,539 11/1979 Coppola et al. D18/55

D. 254,072 1/1980 Saito D14/118

D. 267,948 2/1983 Kojima et al. D14/118

D. 276,340 11/1984 Takeuchi et al. D14/118

D. 280,900 10/1985 Tsumura et al. D18/54

D. 295,179 4/1988 Feger et al. D14/111

D. 299,826 2/1989 Takahashi D14/107

D. 304,828 11/1989 Watanabe D14/118

D. 307,439 4/1990 Doi D18/55

D. 320,999 10/1991 Sugawara D18/55

D. 321,364 11/1991 Eto et al. D18/55

D. 322,090 12/1991 McClelland et al. D18/55

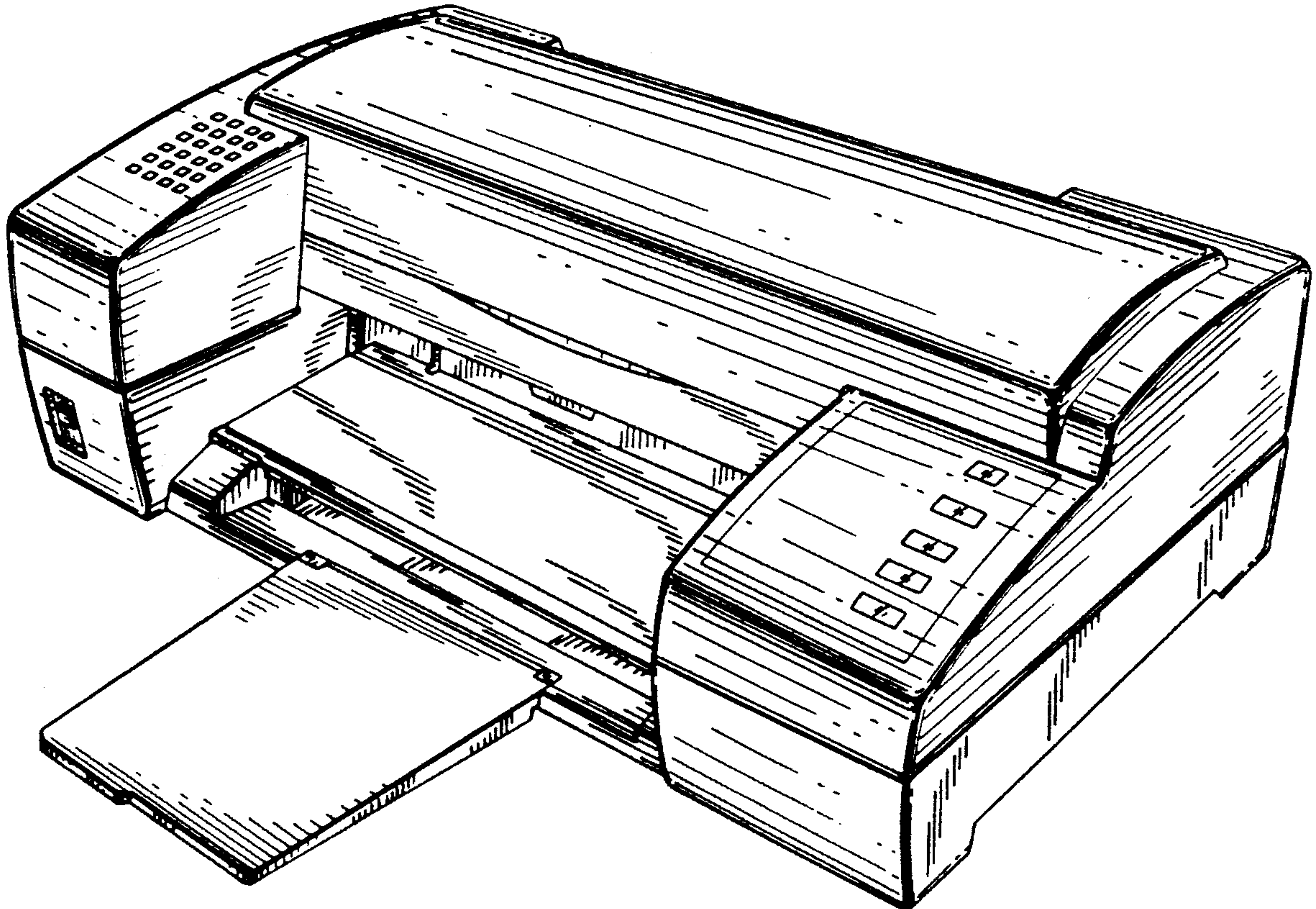
Primary Examiner—Cathy Anne MacCormac
Attorney, Agent, or Firm—Stroock & Stroock & Lavan

[57] CLAIM

The ornamental design for a printer for a computer, as shown and described.

DESCRIPTION

FIG. 1 is a front perspective view of the printer for a computer in accordance with our new design; FIG. 2 is a top plan view thereof; FIG. 3 is a left side view thereof; FIG. 4 is a front elevational view thereof; FIG. 5 is a right side view thereof; FIG. 6 is a rear elevational view thereof; and, FIG. 7 is a bottom plan view thereof.



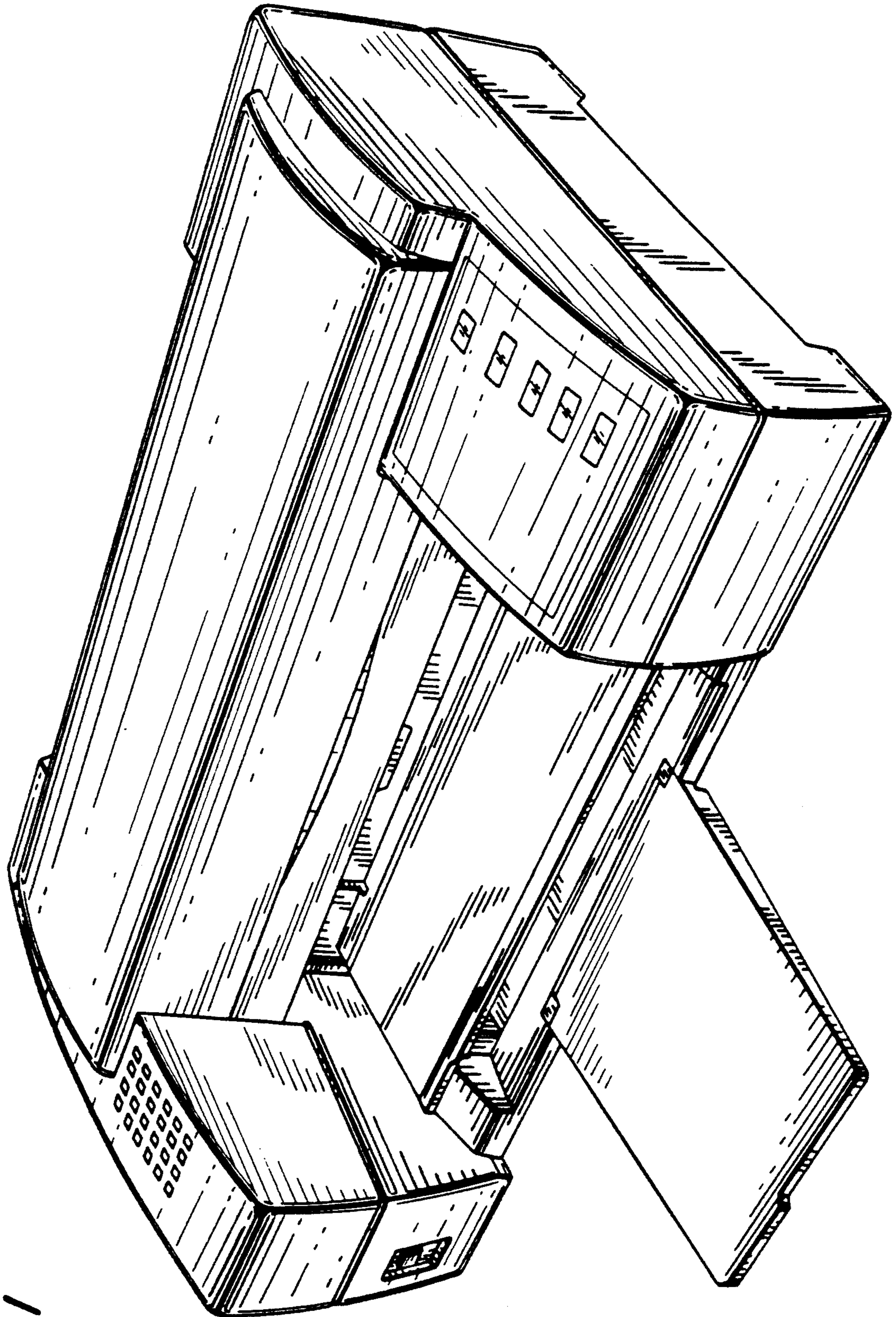


FIG. 1

FIG. 2

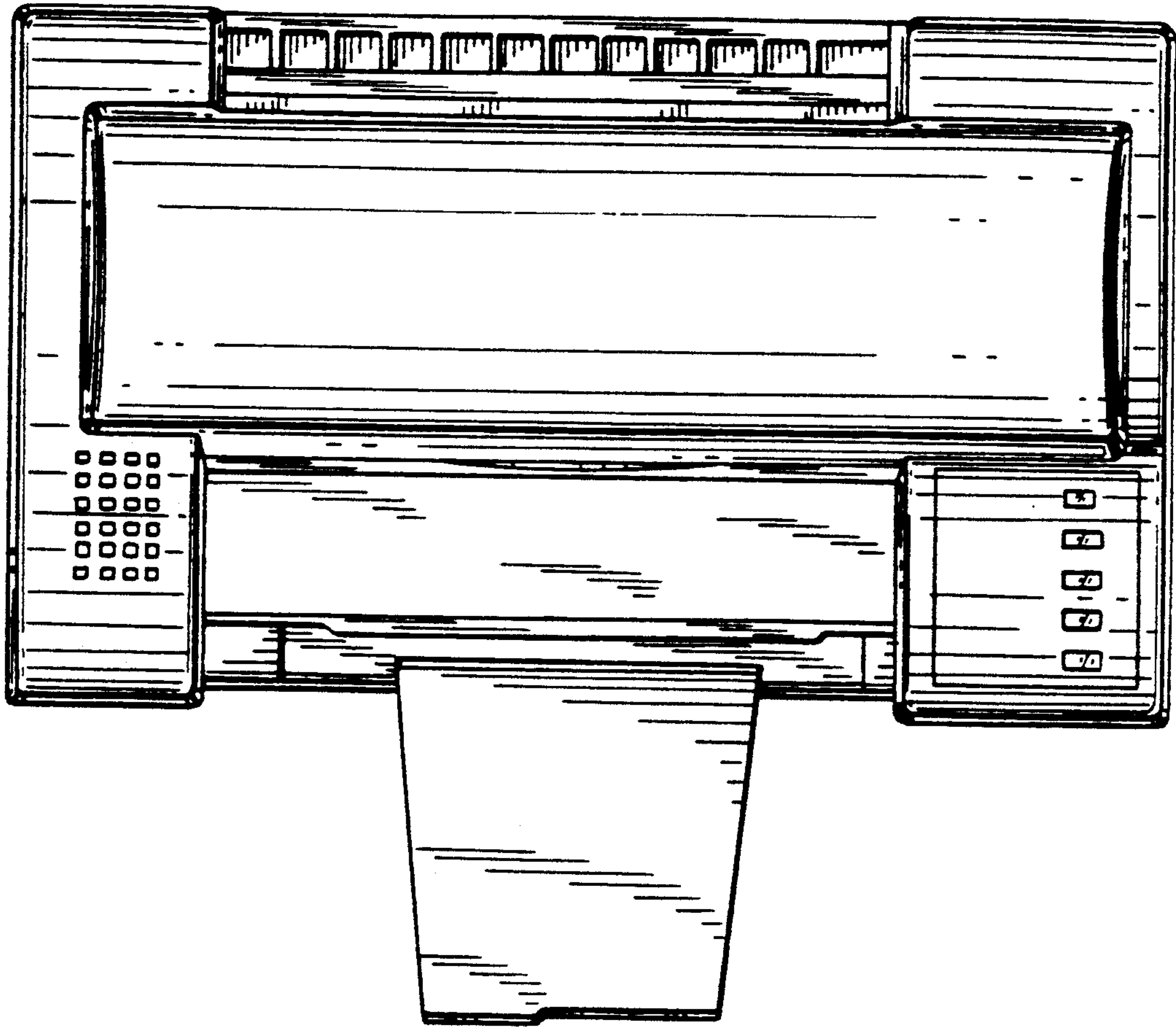


FIG. 3

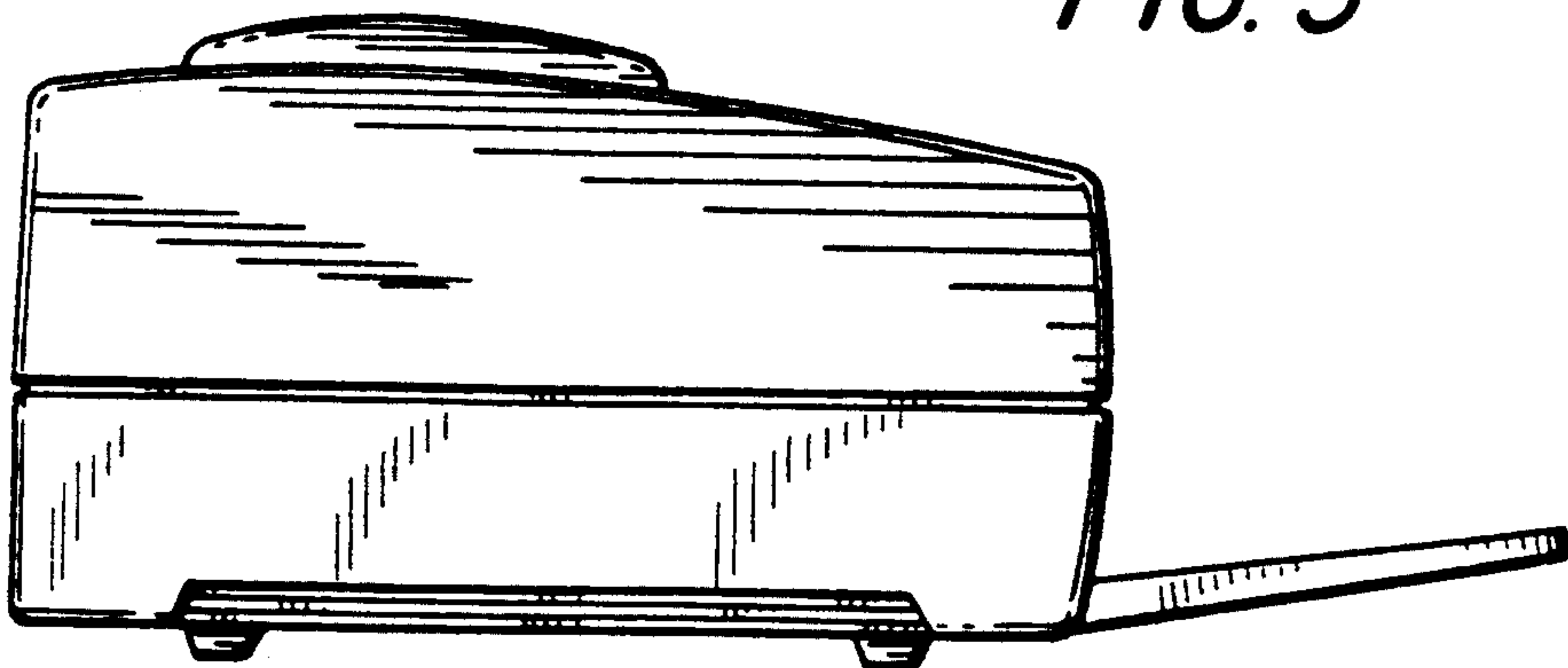


FIG. 4

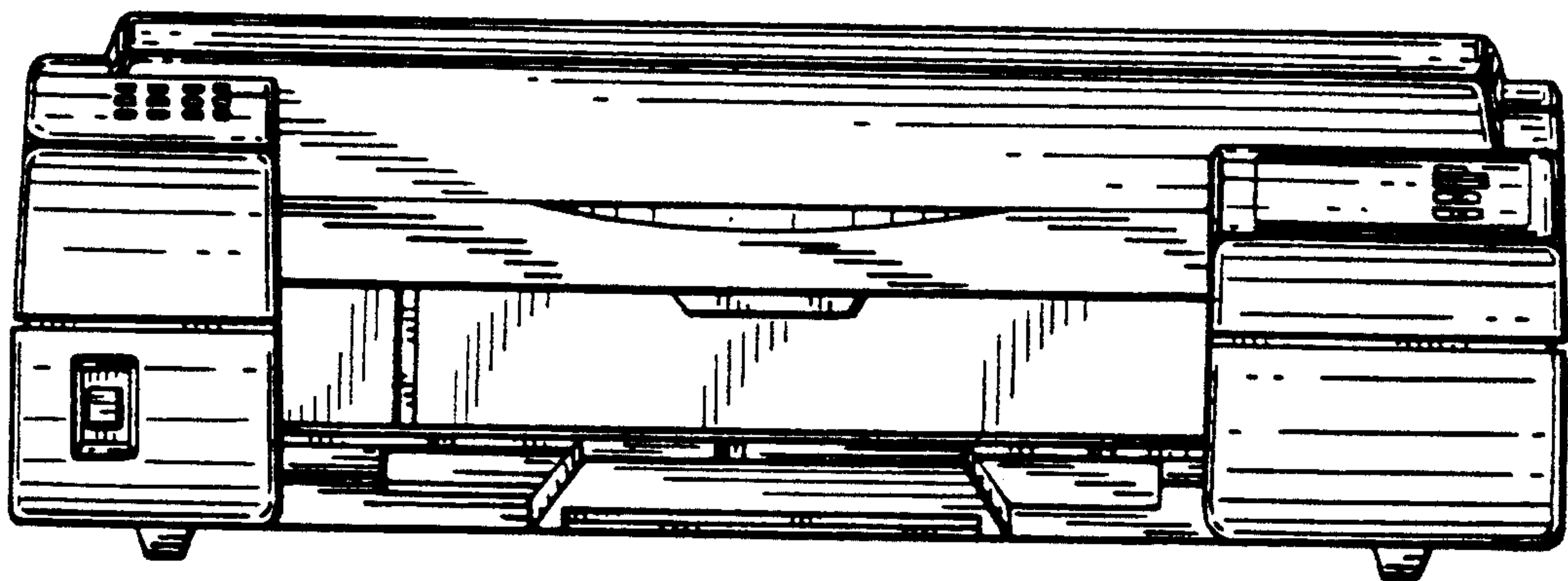


FIG. 5

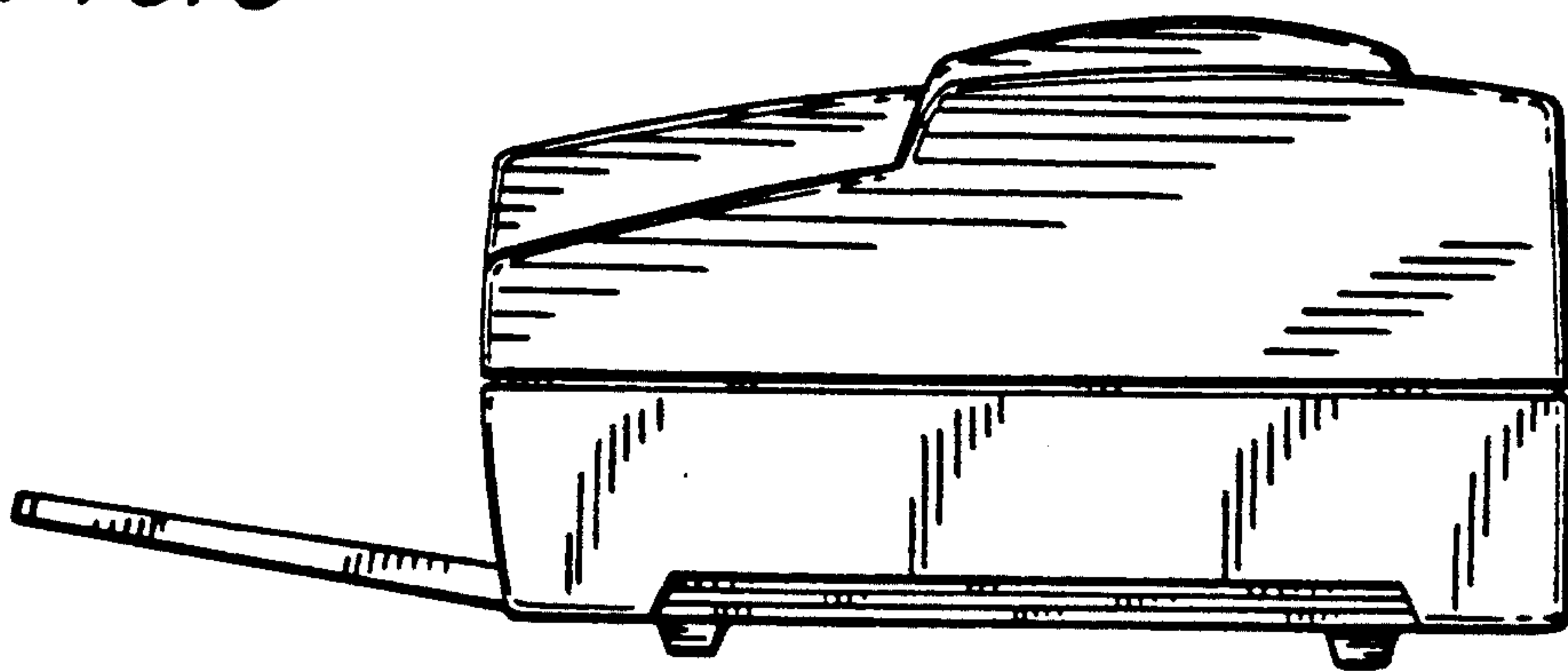


FIG. 6

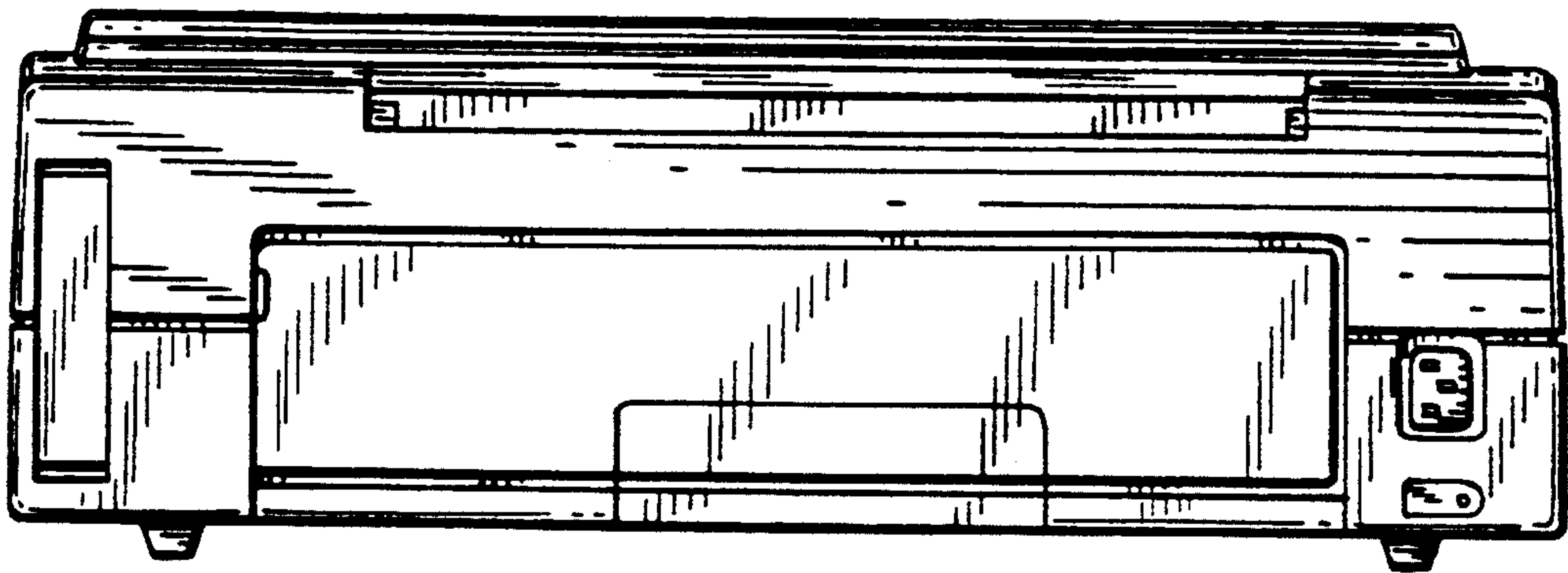


FIG. 7

