



US00D348898S

United States Patent [19]

[11] Patent Number: Des. 348,898

Nagasawa

[45] Date of Patent: ** Jul. 19, 1994

[54] **HAND STAMP**

[75] Inventor: Yasuo Nagasawa, Osaka, Japan

[73] Assignee: Tsukahara Industrial Co., Ltd.,
Osaka, Japan

[**] Term: 14 Years

[21] Appl. No.: 3,908

[22] Filed: Jan. 21, 1993

[52] U.S. Cl. D18/15

[58] Field of Search 101/333-334,
101/327, 405; D30/14-19

[56] **References Cited**

U.S. PATENT DOCUMENTS

D. 233,563	11/1974	Funahashi	D18/15
D. 261,006	9/1981	Wall et al.	D18/15
D. 326,865	6/1992	Satoh	D18/15
2,012,472	8/1935	Ludewigs	101/327
3,631,799	3/1968	Funahashi	101/327
3,855,925	12/1974	Funahashi	101/405
3,952,653	4/1976	McFarland	101/327
3,988,987	11/1976	Ikura et al.	101/327
4,289,070	9/1981	MacGregor	101/327
4,392,425	7/1983	Capezzuto et al.	101/405
5,152,223	10/1992	Mairon	101/334

Primary Examiner—Cathy Anne MacCormac
Attorney, Agent, or Firm—Griffin Butler Whisenhunt & Kurtosy

[57] **CLAIM**

The ornamental design for a hand stamp, as shown and described.

DESCRIPTION

FIG. 1 is a front perspective view of a hand stamp incorporating my new design;
 FIG. 2 is a rear perspective view thereof with the cap removed, the hand stamp being inverted in FIG. 2 relative to the position shown in FIG. 1;
 FIG. 3 is a perspective view of the removable cap;
 FIG. 4 is a front elevational view of the hand stamp, the opposite side being identical to the side shown;
 FIG. 5 is a side elevational view thereof;
 FIG. 6 is a top plan view thereof;
 FIG. 7 is a bottom view thereof;
 FIG. 8 is a perspective view of the removable cover; and,
 FIG. 9 is a view similar to FIG. 2 with environmental structure shown in broken lines.
 The broken lines showing of FIG. 9 is for illustrative purposes only and forms no part of the claimed design.

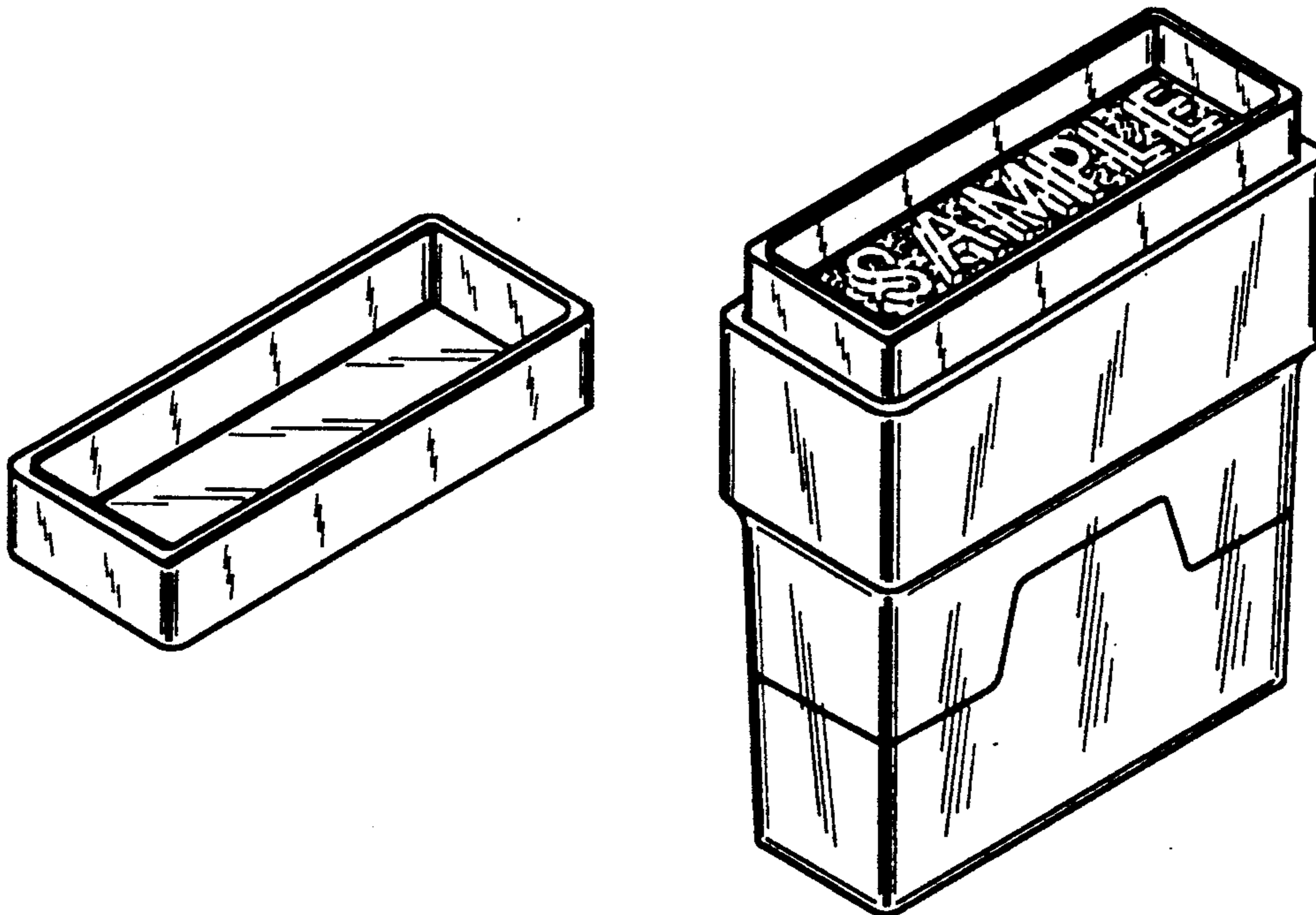


Fig. 1

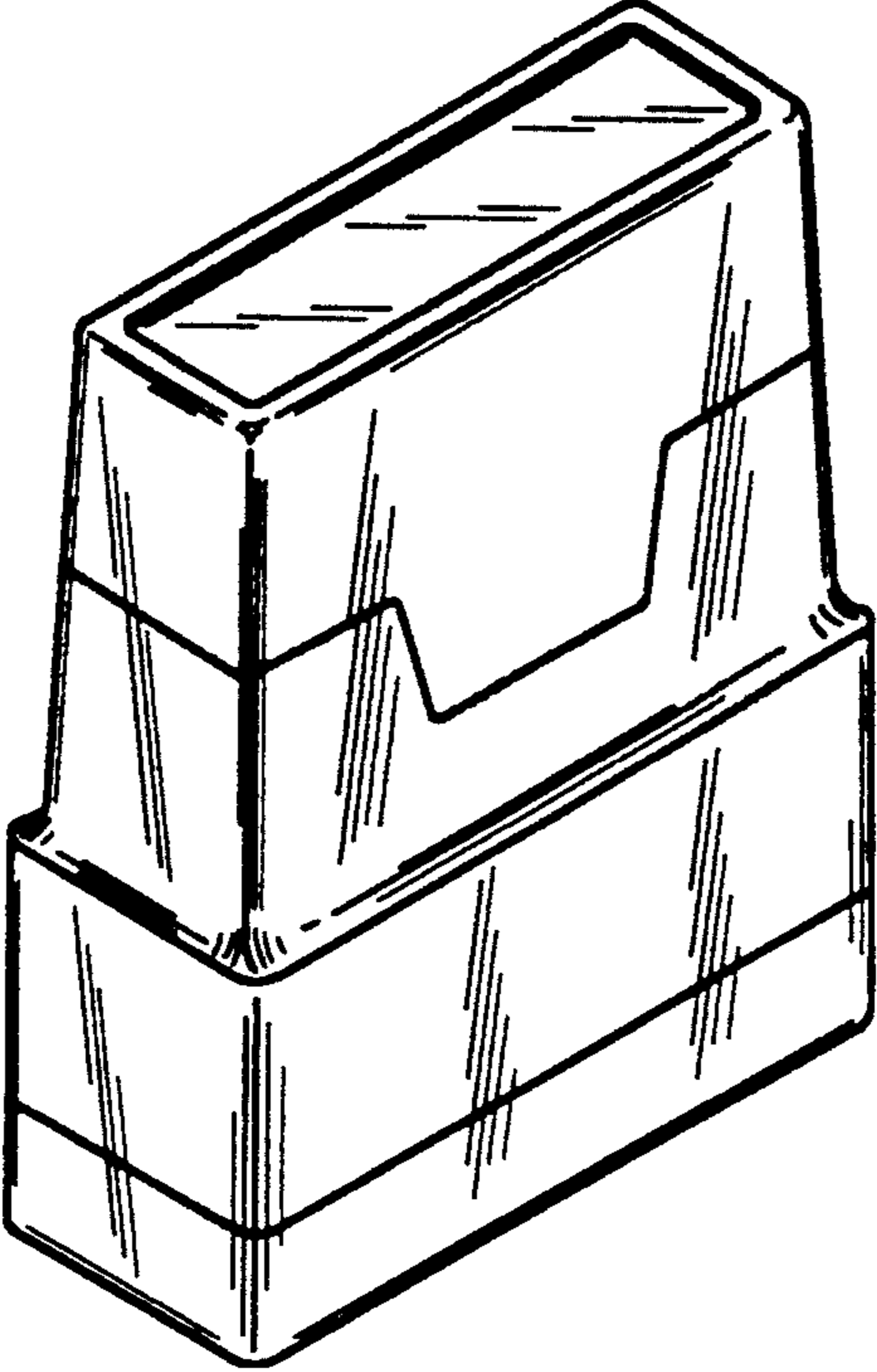


Fig. 2

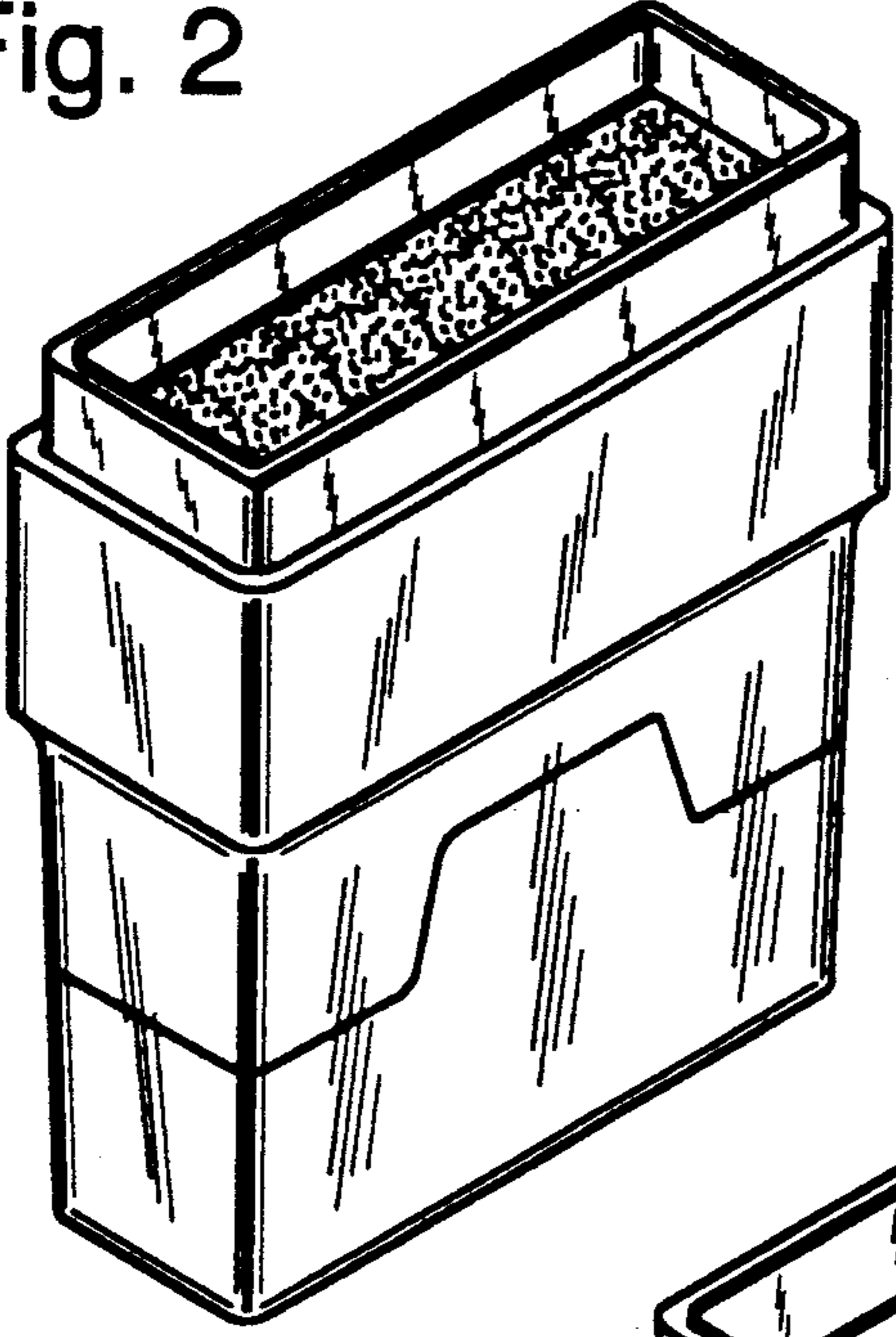
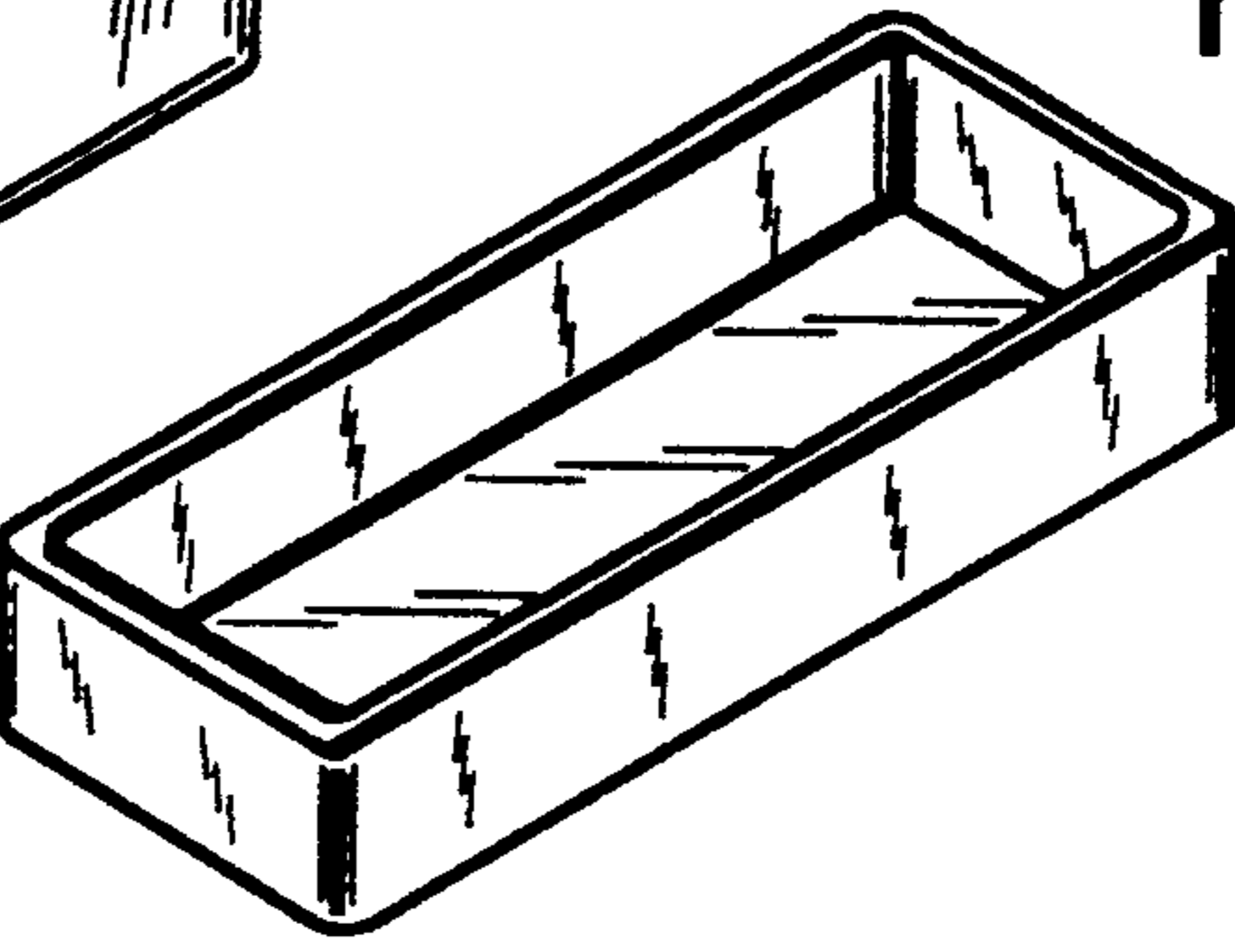


Fig. 3



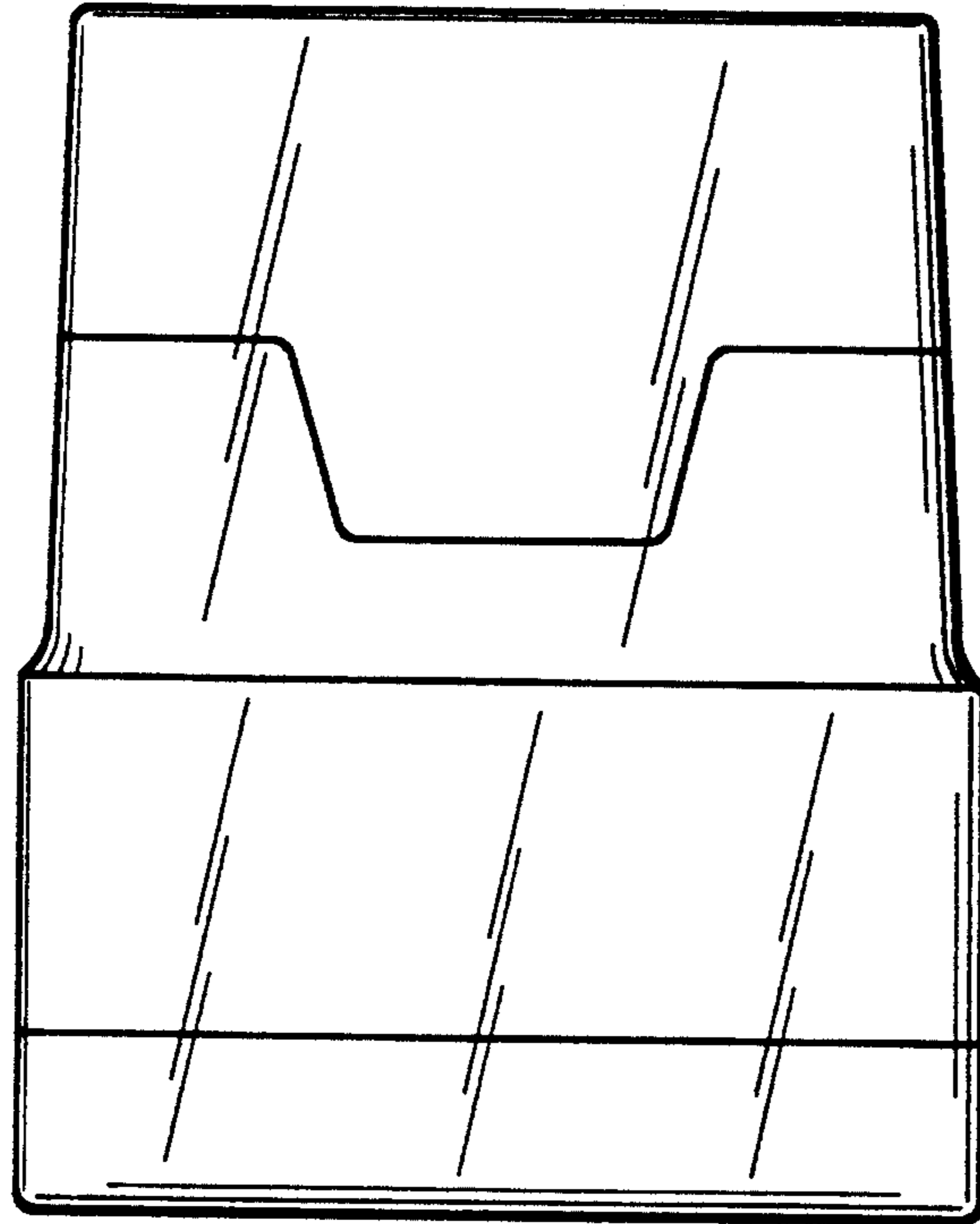


Fig. 4

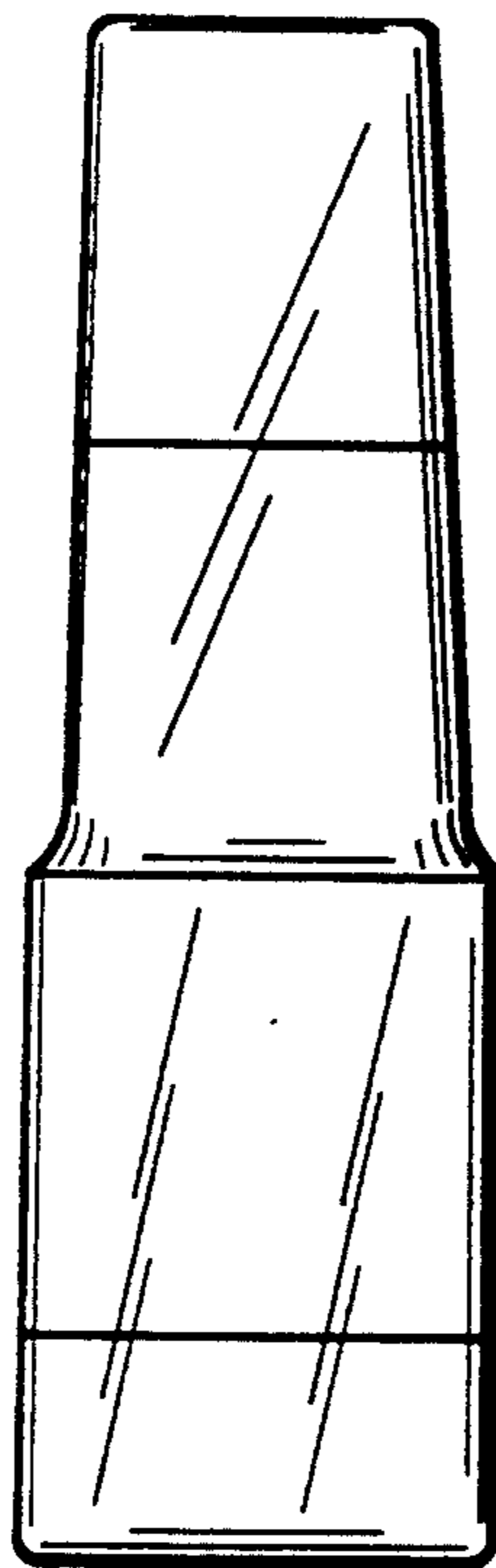


Fig. 5

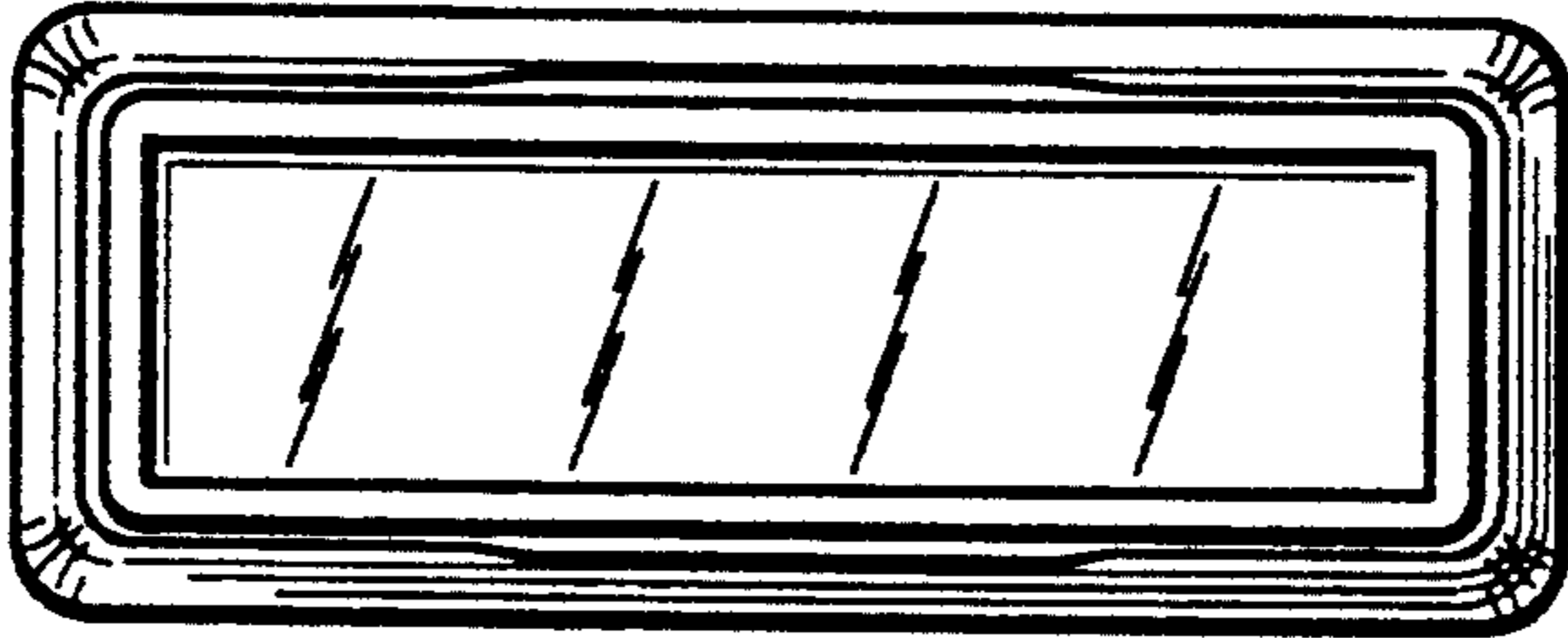


Fig. 6

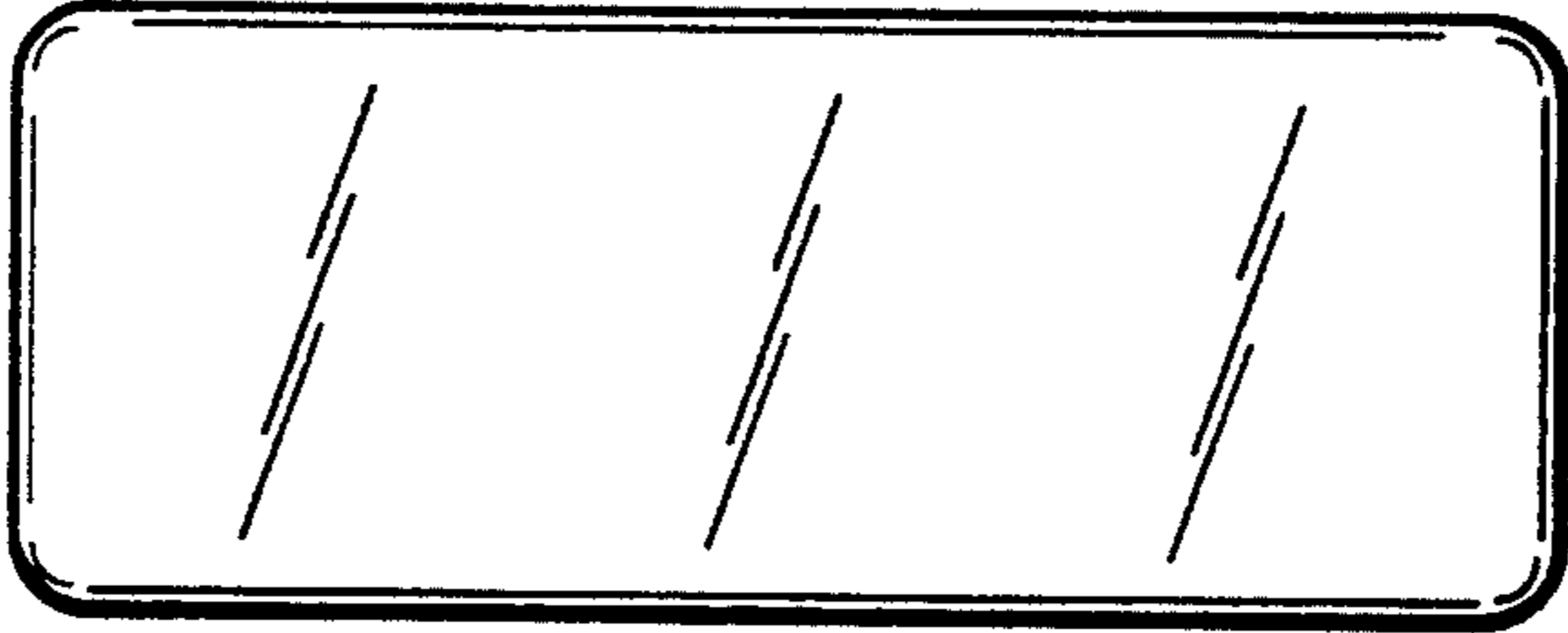


Fig. 7

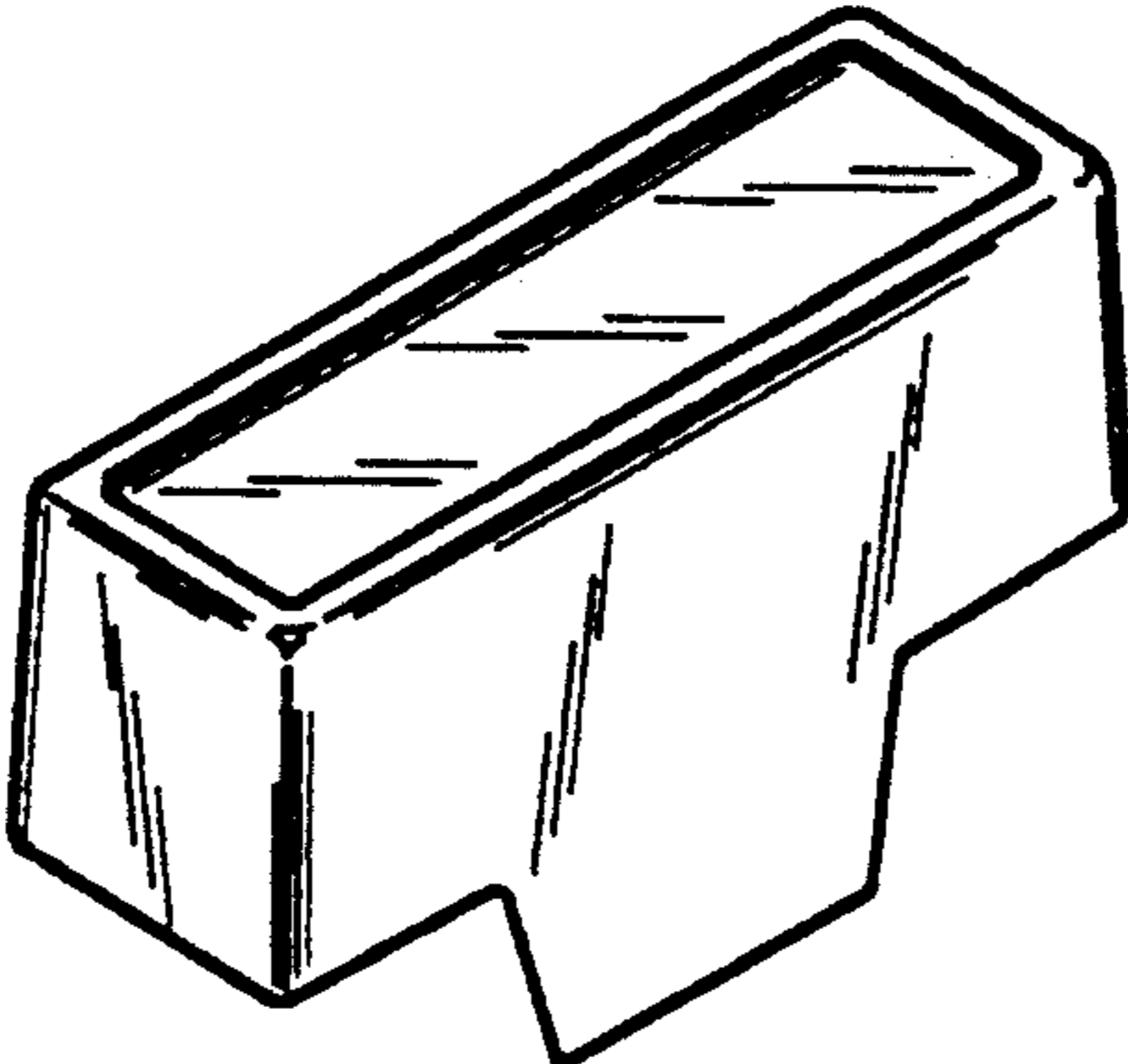


Fig. 8

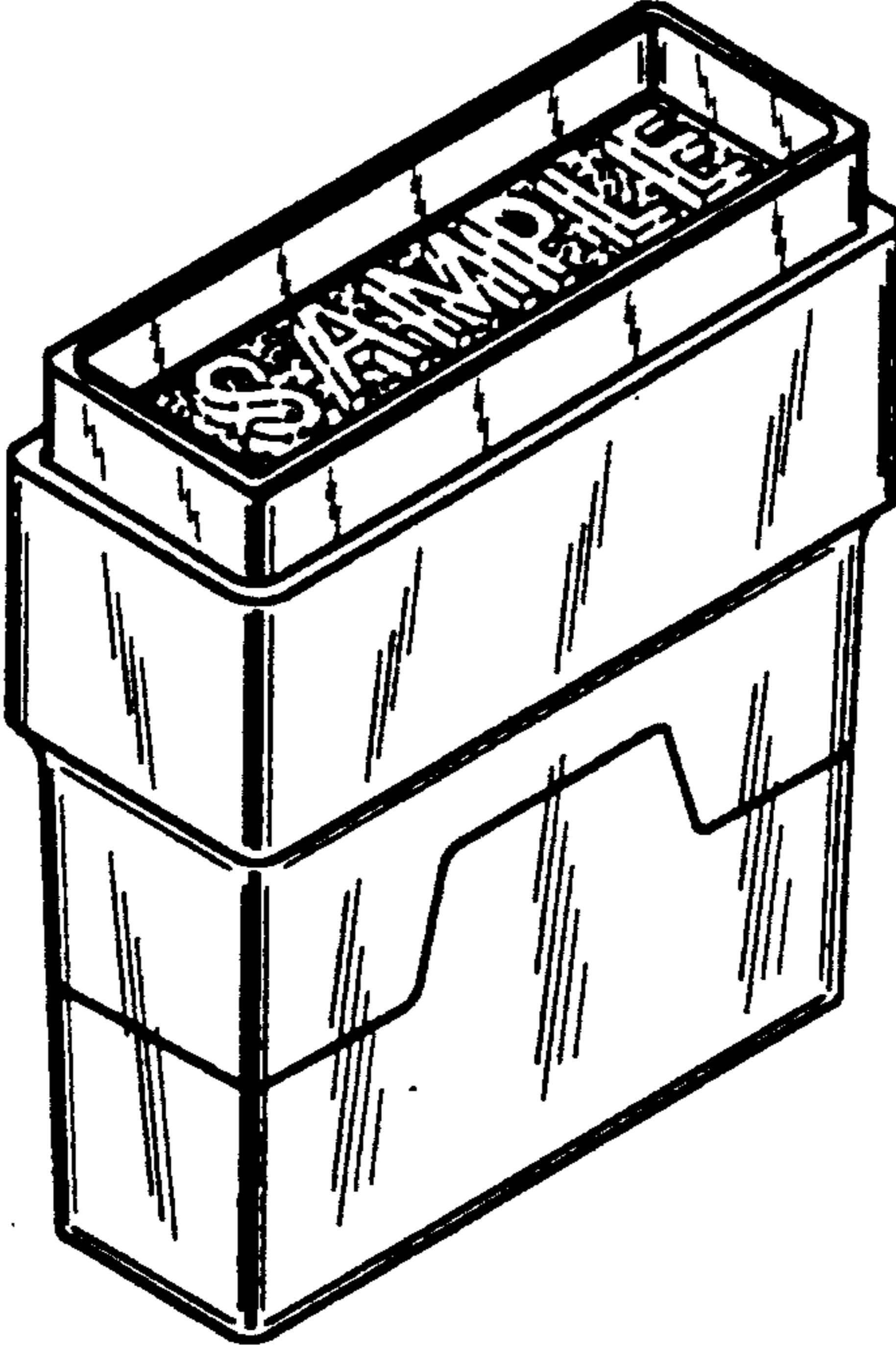


Fig. 9