



US00D348890S

# United States Patent [19]

[11] Patent Number: Des. 348,890

Taylor

[45] Date of Patent: \*\* Jul. 19, 1994

[54] FOLDING WALLPAPER CUTTING BOARD

[76] Inventor: Dennis W. Taylor, 900 Canterbury La., Liberty, Mo. 64068

[\*\*] Term: 14 Years

[21] Appl. No.: 8,895

[22] Filed: May 28, 1993

[52] U.S. Cl. .... D15/127

[58] Field of Search ..... D8/14; 30/293, 294; 118/40, 261, 414, 712, DIG. 15, DIG. 17; 225/17, 81; 269/303, 319; 927/8, 179, 207.1, 289, 428; D15/127, 129

3,991,922 11/1976 Martin ..... 225/81 X

4,340,161 7/1982 Stafford ..... 225/18

4,384,017 5/1983 Stafford ..... 428/12

5,050,306 9/1991 Renaud ..... 30/294 X

Primary Examiner—Alan P. Douglas  
 Assistant Examiner—Antoine D. Davis  
 Attorney, Agent, or Firm—Kenneth W. Iles

### [57] CLAIM

The ornamental design for a folding wallpaper cutting board, as shown and described.

### DESCRIPTION

FIG. 1 is a top, right front perspective view of a folding wallpaper cutting board in the unfolded position showing my new design;

FIG. 2 is a fragmentary cross section taken along line 2—2 of FIG. 1;

FIG. 3 is a front elevation view in the folded position;

FIG. 4 is a top plan view in the unfolded position;

FIG. 5 is a front elevation in the unfolded position;

FIG. 6 is a rear elevation in the unfolded position;

FIG. 7 is a bottom plan view in the unfolded position;

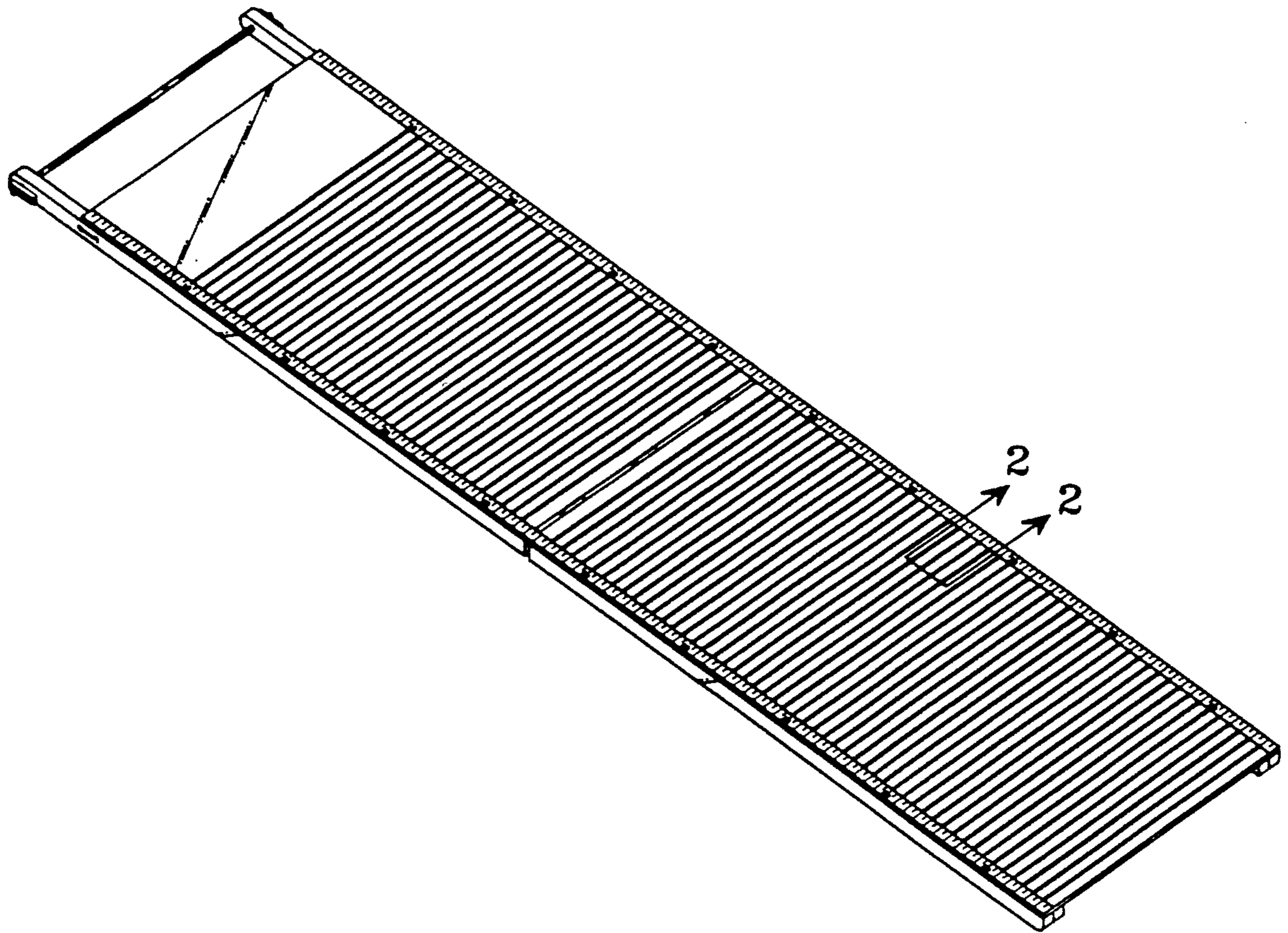
FIG. 8 is a left side elevation in the folded position; and,

FIG. 9 is a right side elevation in the folded position thereof.

[56] **References Cited**

**U.S. PATENT DOCUMENTS**

D. 276,528	11/1984	Shaffer	.....	D15/127
491,488	2/1893	Lundy	.	
526,038	9/1894	Hoke	.	
1,532,019	3/1925	Zimmerman	.	
1,695,766	12/1928	Judd et al.	.	
2,253,772	8/1941	Edgren	.....	311/90
2,588,092	3/1952	Duff	.....	164/78
2,834,557	5/1958	Graham	.....	225/77
3,862,495	1/1975	Mackert	.....	30/294
3,871,079	3/1975	Magee	.....	30/294



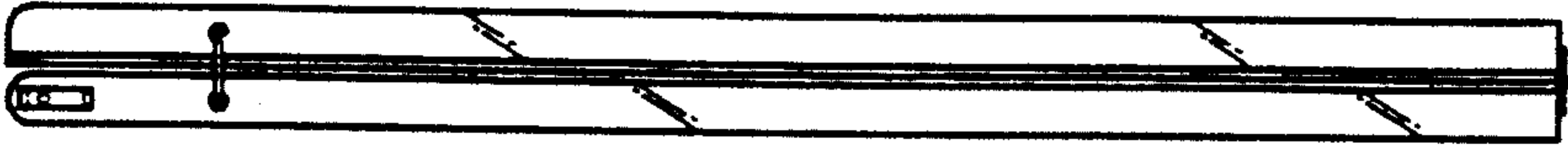


Fig. 3

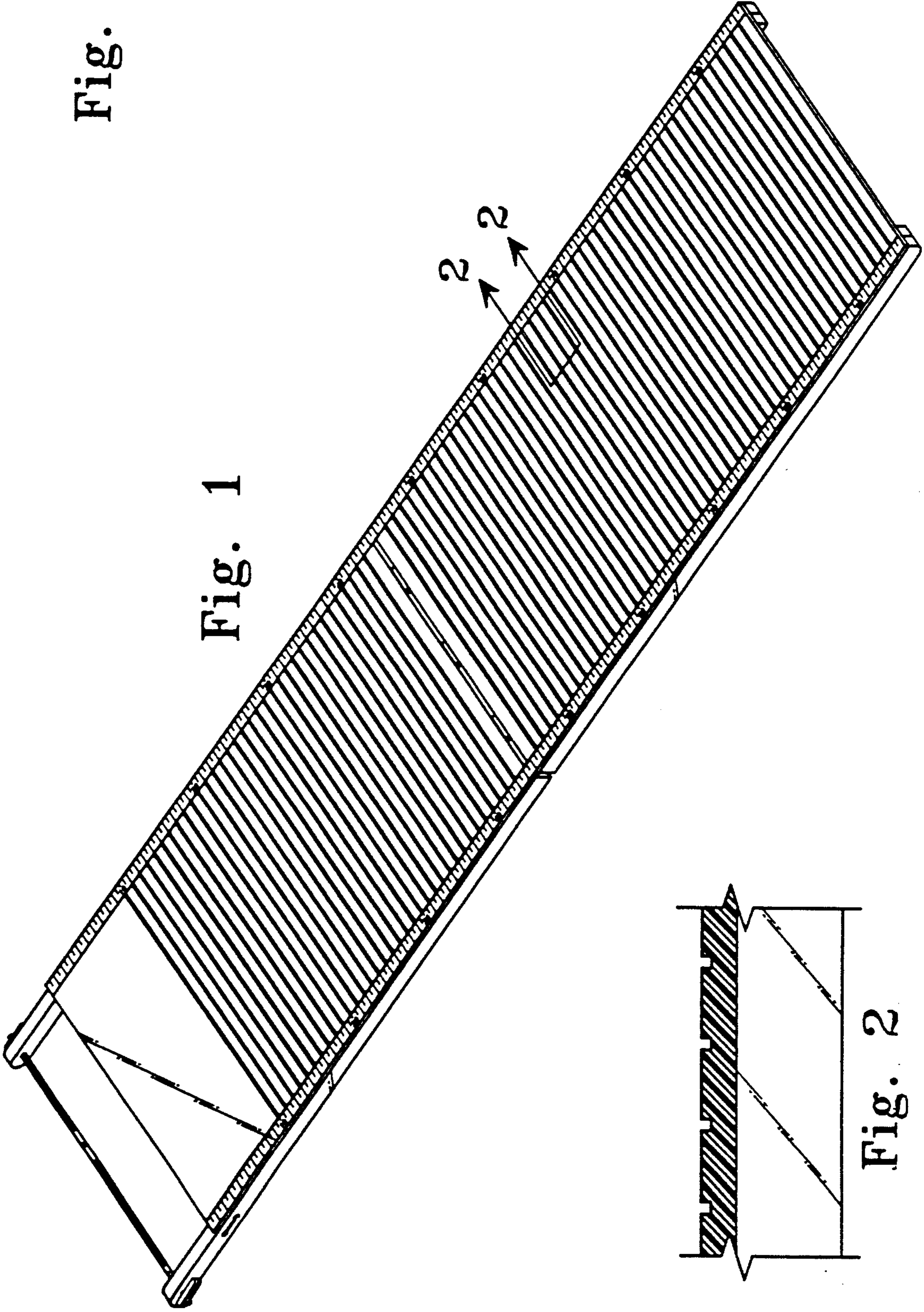


Fig. 1

Fig. 2



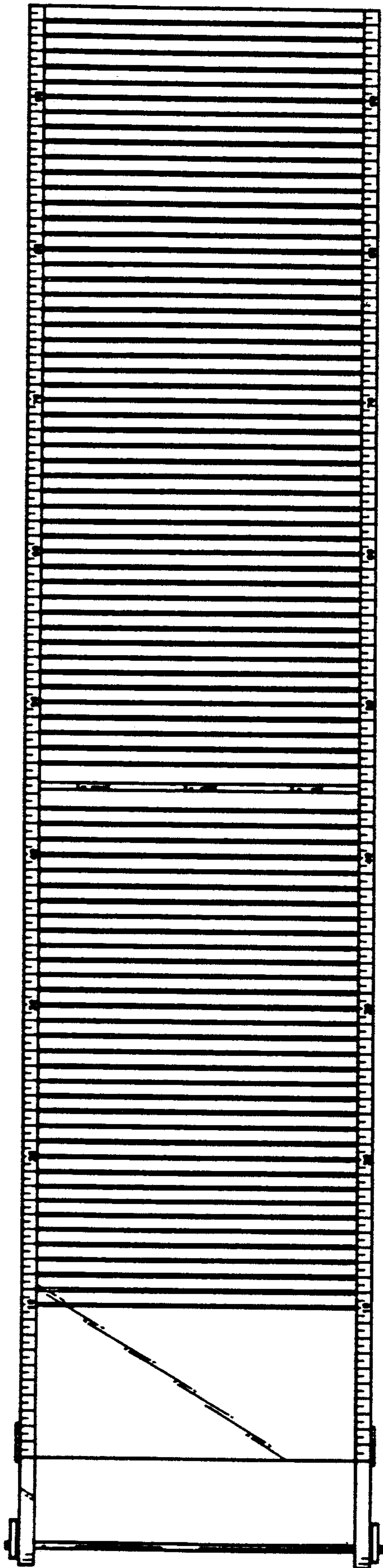


Fig. 4



Fig. 5



Fig. 6

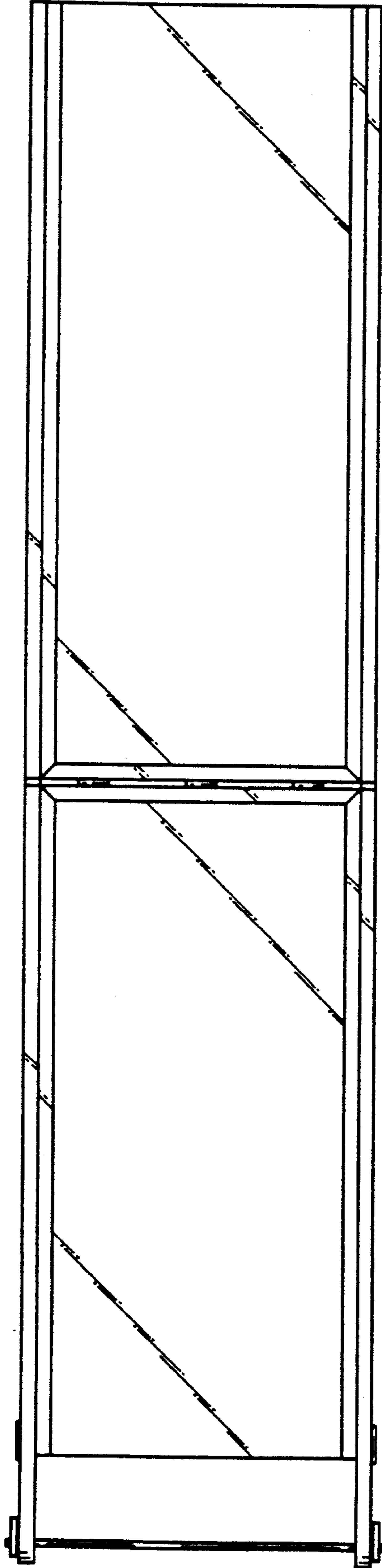


Fig. 7



Fig. 8



Fig. 9