



US00D348889S

United States Patent [19]

[11] Patent Number: **Des. 348,889**

Chang

[45] Date of Patent: **** Jul. 19, 1994**

[54] **ELECTRIC SAW**
 [75] Inventor: **Chiu-Tsun Chang, Taichung, Taiwan**
 [73] Assignee: **P & F Brother Industrial Corporation, Taichung, Taiwan**
 [**] Term: **14 Years**
 [21] Appl. No.: **9,553**
 [22] Filed: **Jun. 17, 1993**
 [52] U.S. Cl. **D15/133**
 [58] Field of Search **D8/71, 66; 83/471.2, 83/471.3, 477, 581; D15/133**

D. 334,756 4/1993 Sakamoto et al. D15/133
 5,042,348 8/1991 Brundge et al. 83/471.3

Primary Examiner—Alan P. Douglas
Assistant Examiner—Antoine D. Davis
Attorney, Agent, or Firm—Curtis, Morris & Safford

[57] CLAIM

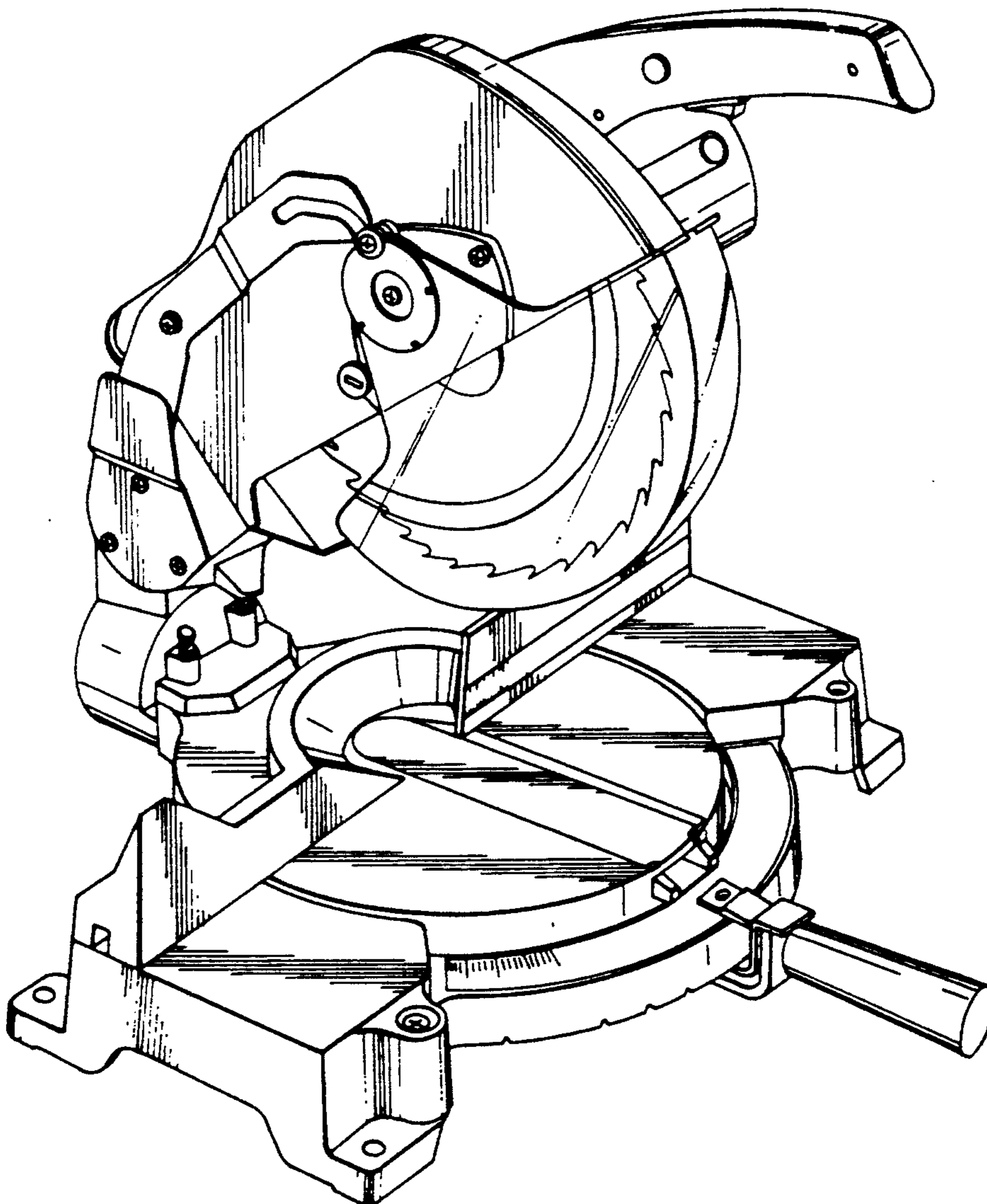
The ornamental design for electric saw, as shown and described.

DESCRIPTION

FIG. 1 is a perspective view of electric saw showing my new design;
 FIG. 2 is a front elevational view thereof;
 FIG. 3 is a rear elevational view thereof;
 FIG. 4 is a left side elevational view thereof;
 FIG. 5 is a right side elevational view thereof; and,
 FIG. 6 is a top plan view thereof.

[56] **References Cited**
U.S. PATENT DOCUMENTS

D. 287,694 1/1987 Miyamoto D15/133
 D. 326,668 6/1992 Archart et al. D15/133



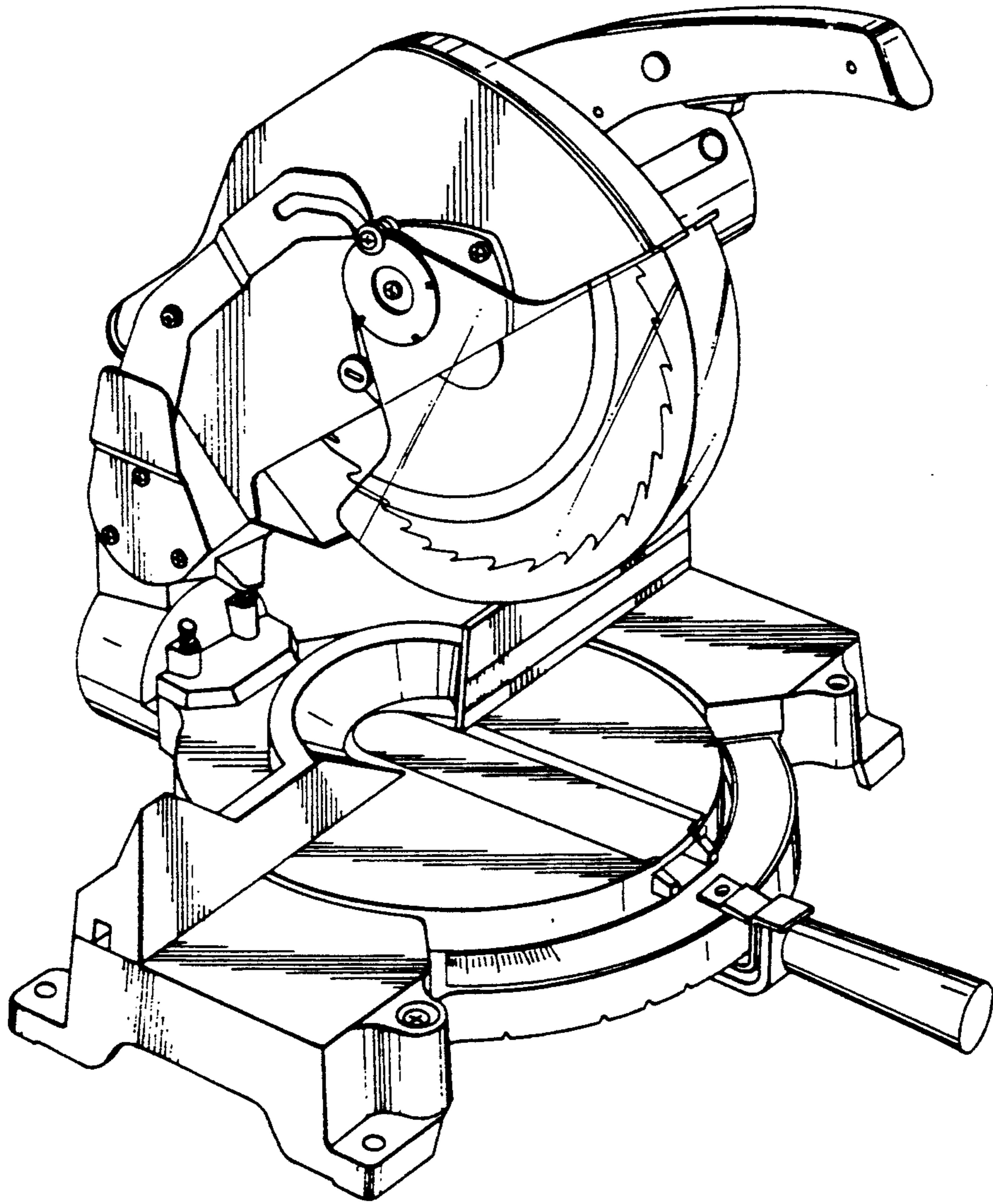


FIG. 1

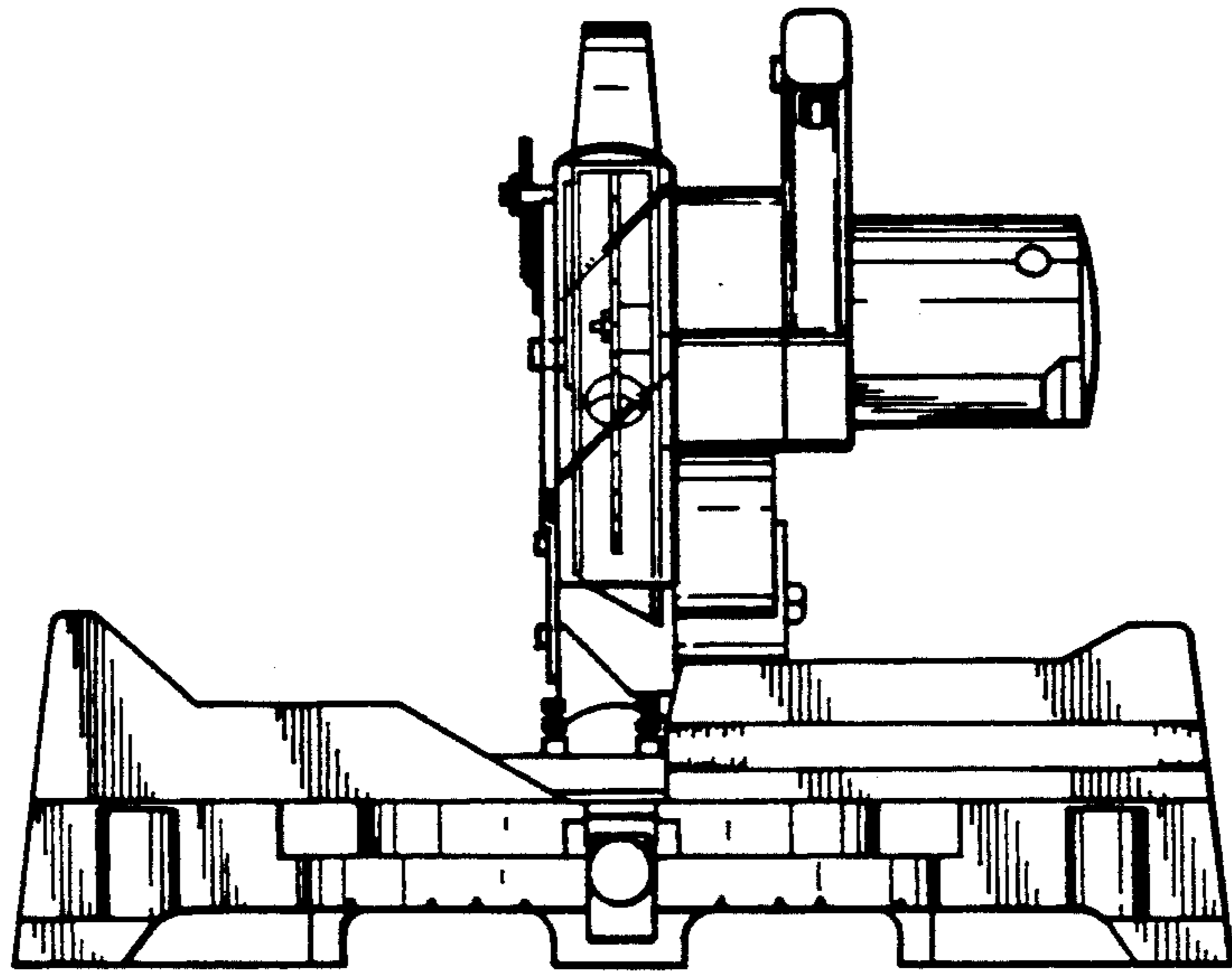


FIG. 2

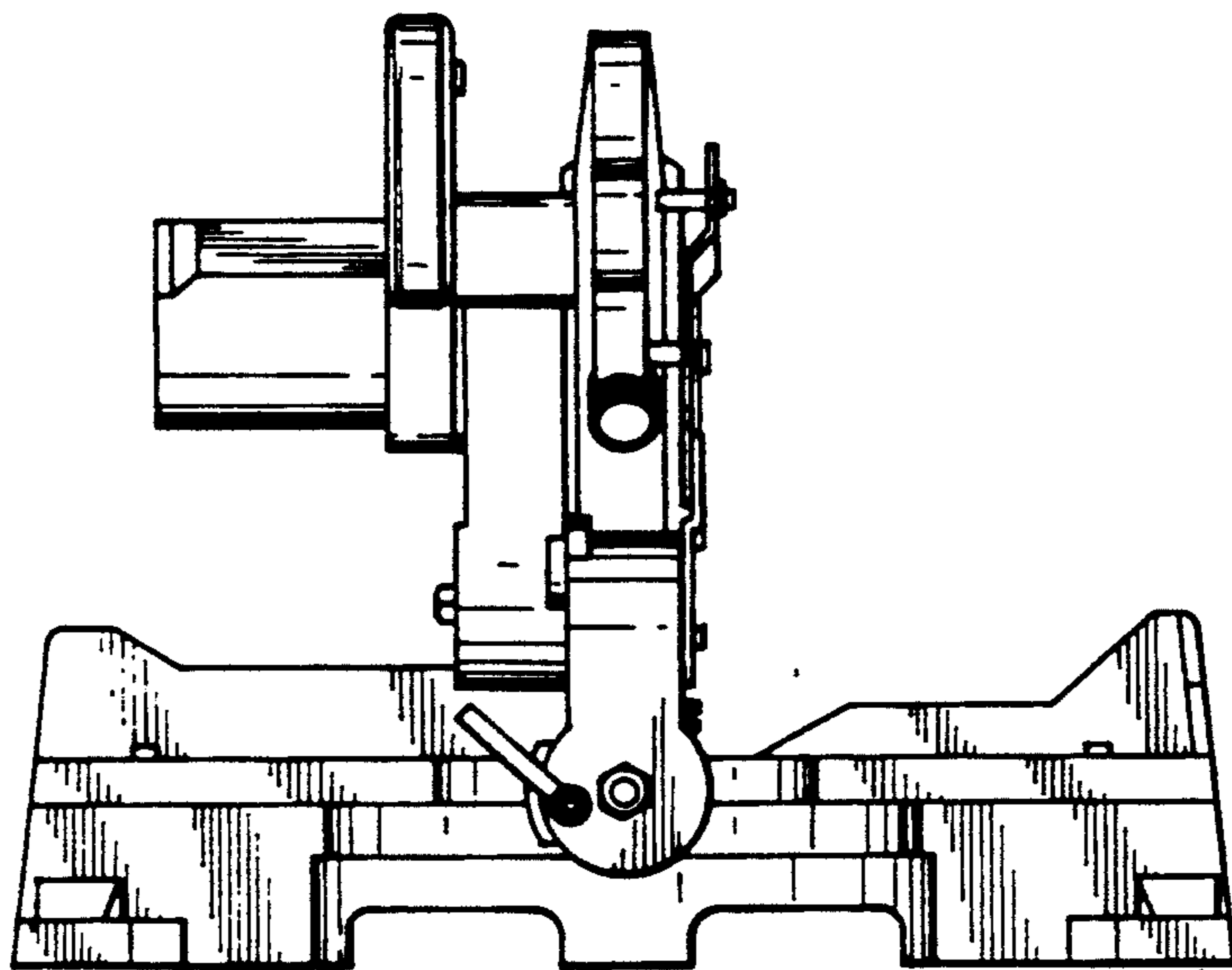


FIG. 3

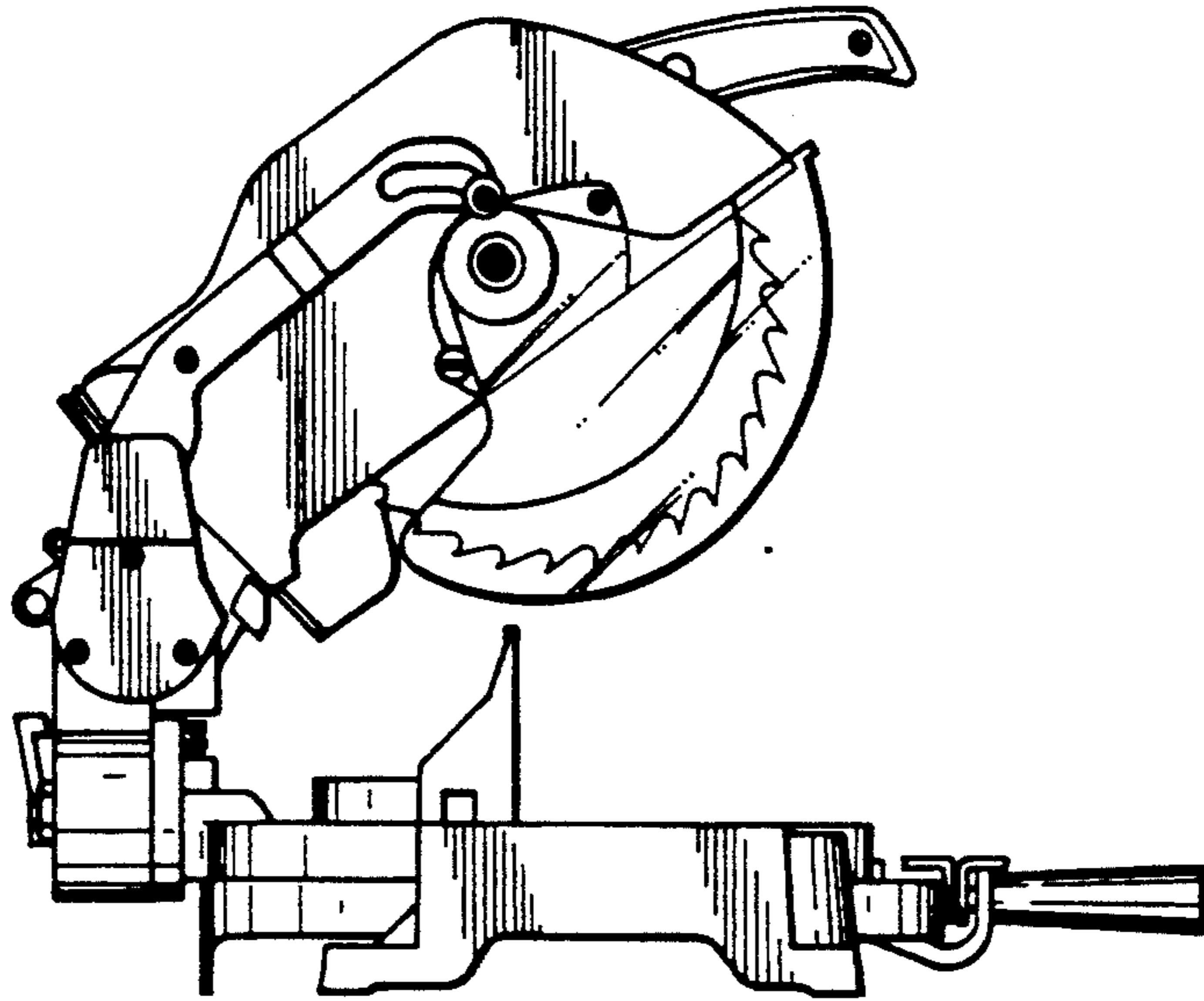


FIG. 4

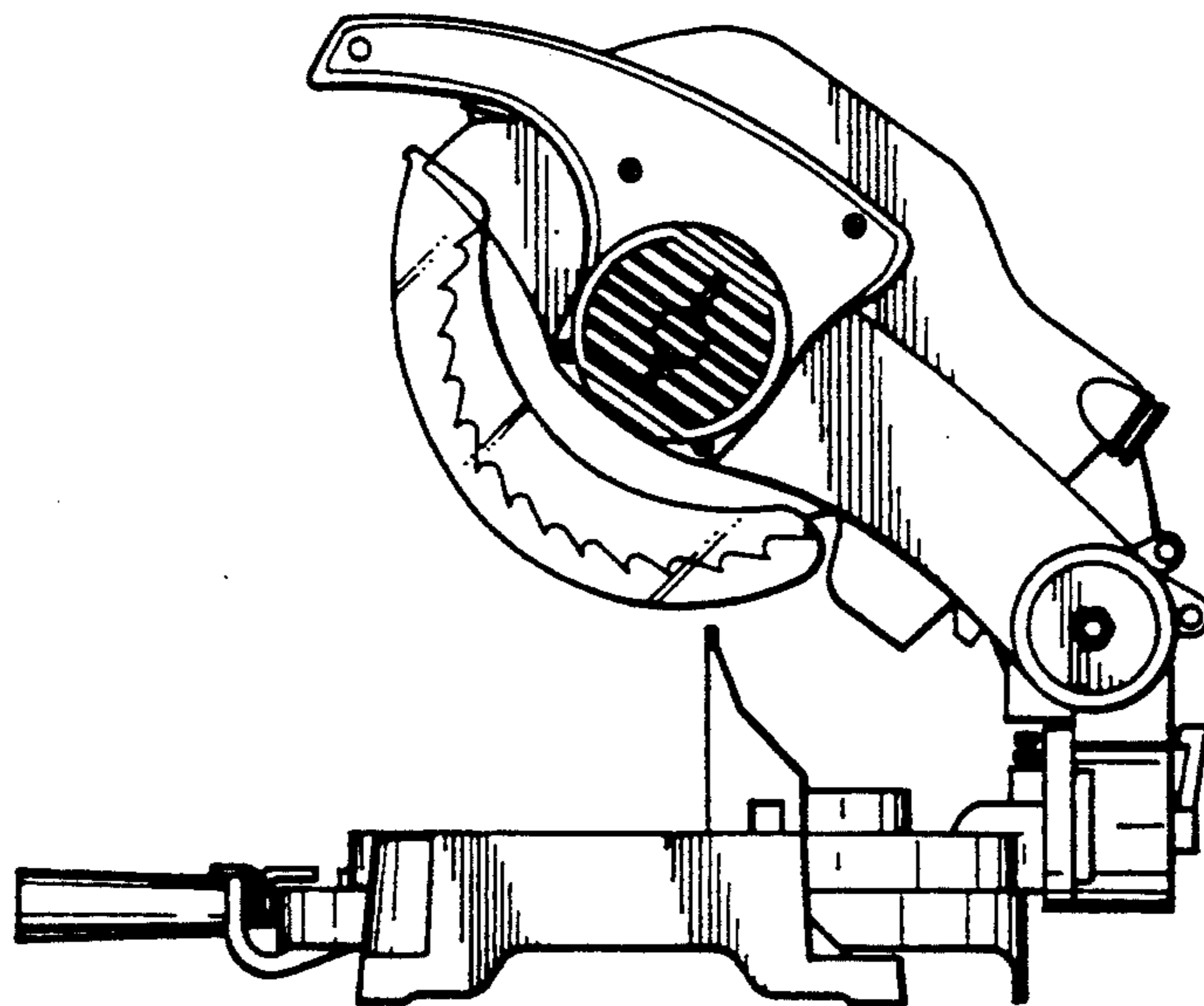


FIG. 5

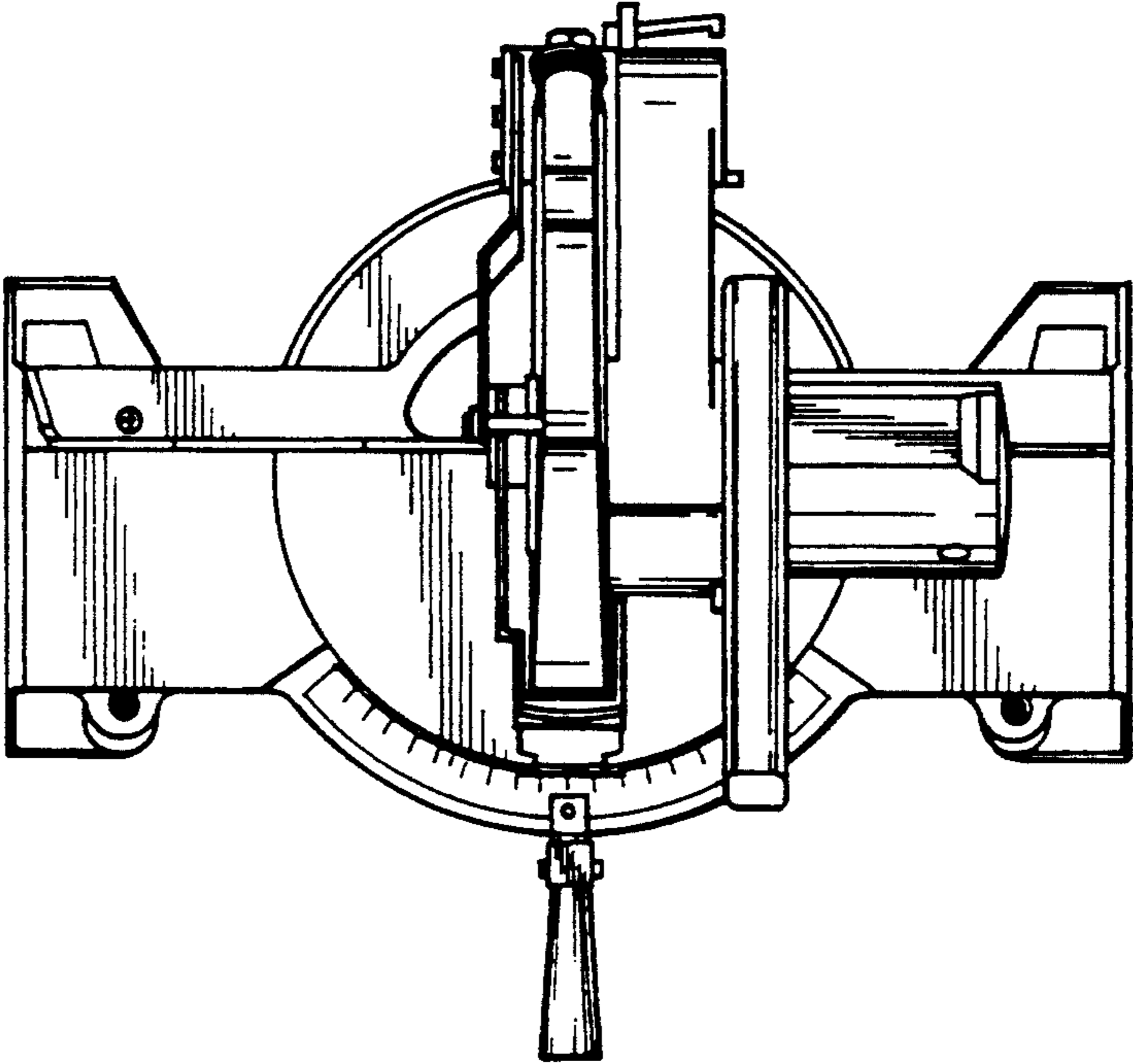


FIG. 6