



US00D348888S

United States Patent [19]

[11] Patent Number: **Des. 348,888**

Fenton et al.

[45] Date of Patent: **** Jul. 19, 1994**

[54] **RADIO PACKET MODEM ADAPTER
ACCESSORY FOR PORTABLE COMPUTING
DEVICES**

[75] Inventors: **William E. Fenton**, Port Coquitlam;
Roman P. Rak, Delta, both of
Canada

[73] Assignee: **Motorola, Inc.**, Schaumburg, Ill.

[**] Term: **14 Years**

[21] Appl. No.: **6,207**

[22] Filed: **Mar. 18, 1993**

[52] U.S. Cl. **D14/242; D14/107**

[58] Field of Search 379/67, 93, 90, 419,
379/420, 428, 440, 441; 174/67.50, 52.1;
361/641, 658, 673, 679, 724, 728, 730, 825;
D14/100, 107, 114, 109, 151, 149, 142, 242, 240,
140, 241; D13/184, 164

[56] **References Cited**

U.S. PATENT DOCUMENTS

D. 285,440 9/1986 Isaacs D14/240

D. 303,252 9/1989 Saih D14/107
D. 309,298 7/1990 Pushelberg D14/241 X
D. 310,665 9/1990 Fortune et al. D14/140
D. 313,004 12/1990 Hasegawa et al. D13/108
D. 328,734 8/1992 Riley et al. D14/100
D. 331,394 12/1992 Kobayashi et al. D14/107
D. 337,328 7/1993 Beaumont et al. D13/184 X
D. 337,997 8/1993 Brunner et al. D14/109

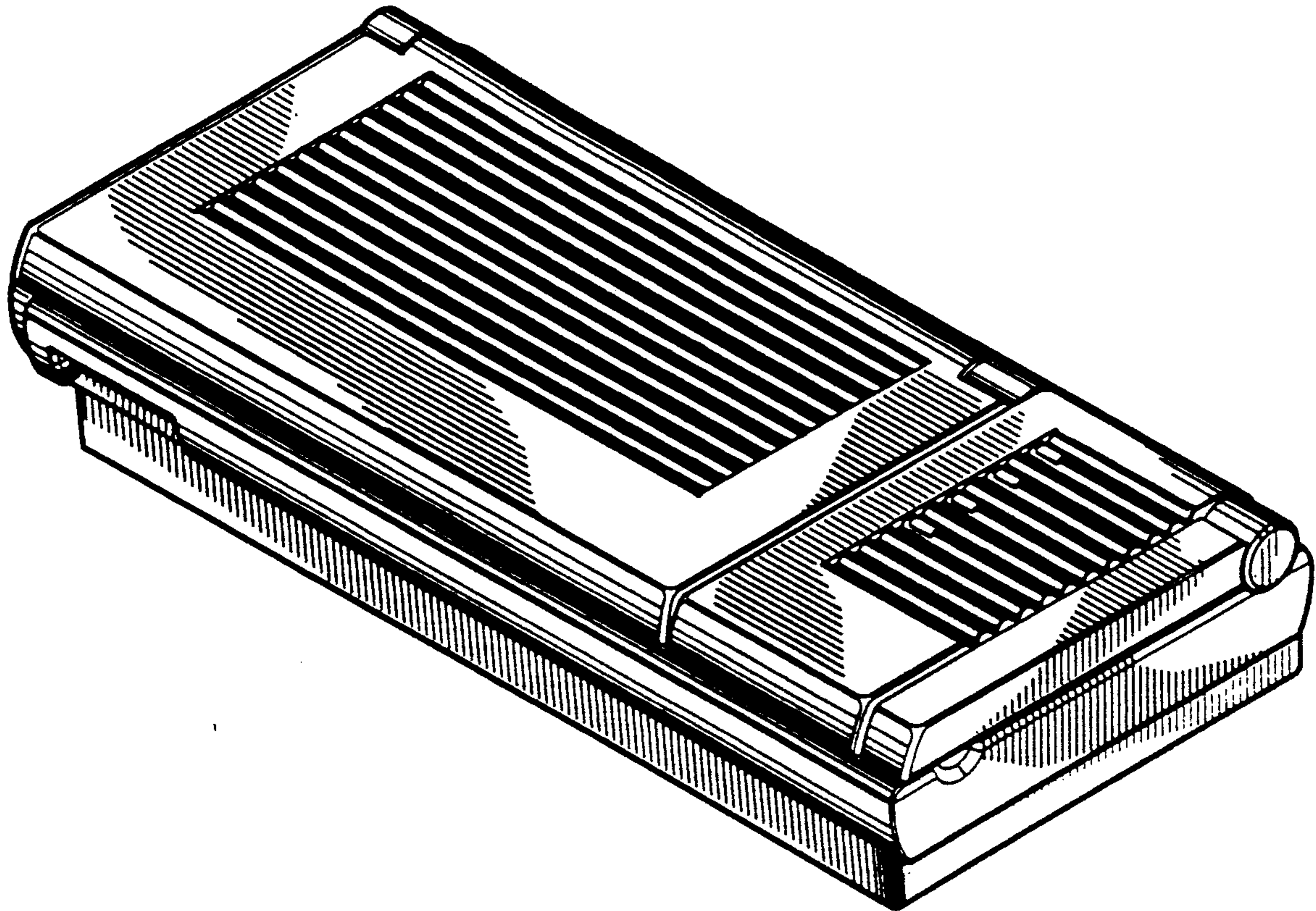
Primary Examiner—Alan P. Douglas
Assistant Examiner—Jeffrey Asch
Attorney, Agent, or Firm—Donald B. Southard

[57] CLAIM

The ornamental design for a radio packet modem adapter accessory for portable computing devices, as shown and described.

DESCRIPTION

FIG. 1 is a top, front and right side perspective view of a radio packet modem adapter accessory for portable computing devices showing our new design; FIG. 2 is a left side elevational view thereof; FIG. 3 is a bottom plan view thereof; and, FIG. 4 is a rear elevational view thereof.



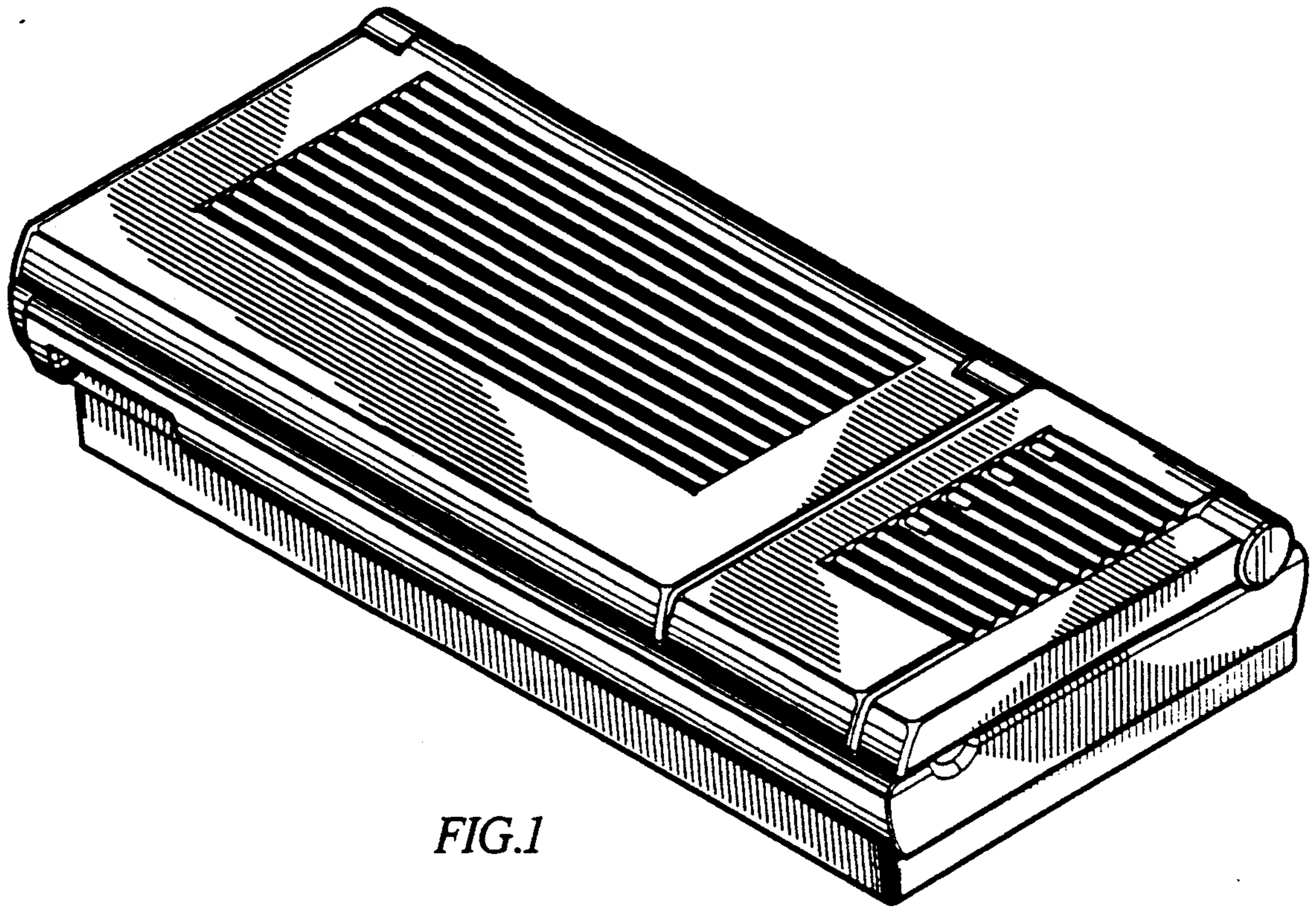


FIG. 1

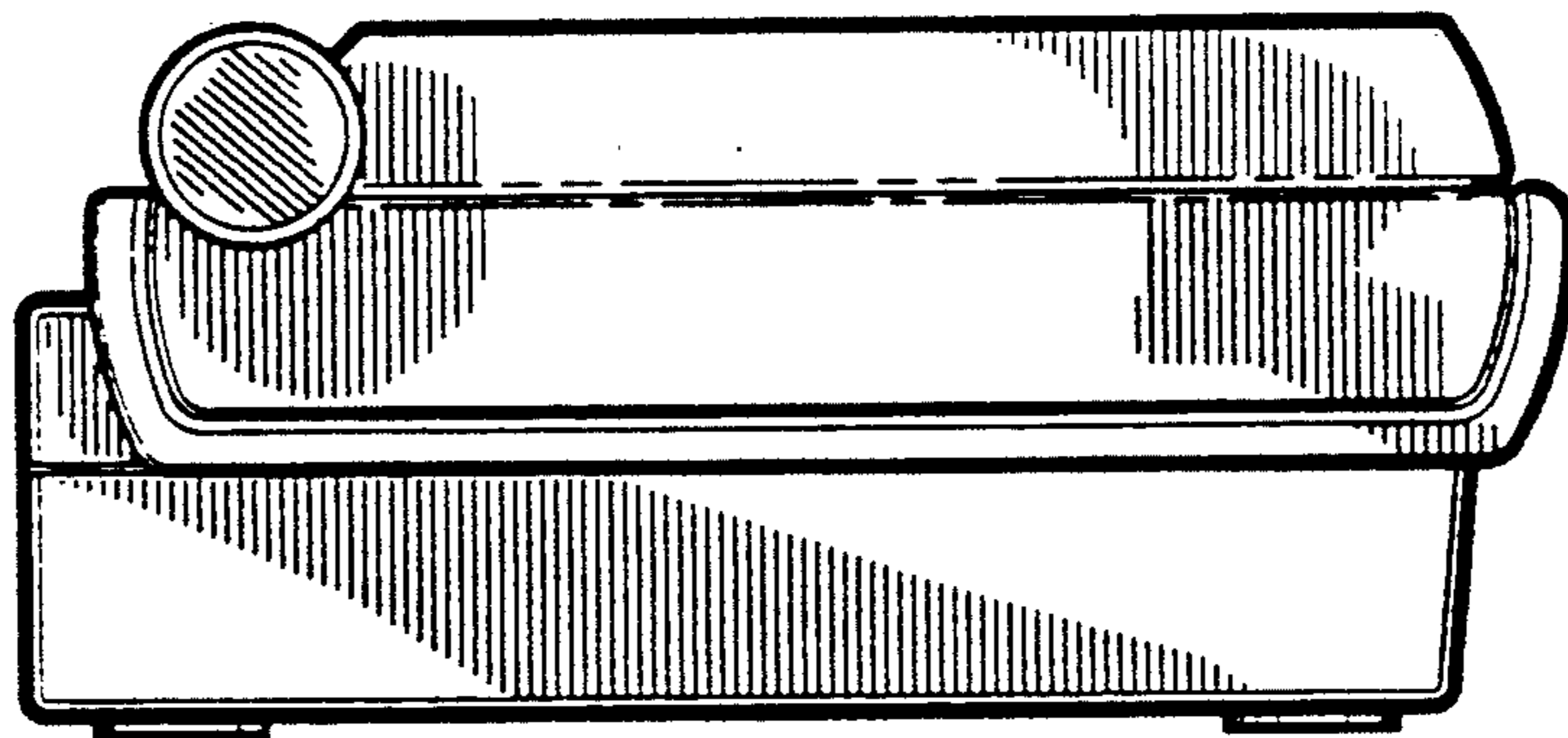


FIG. 2

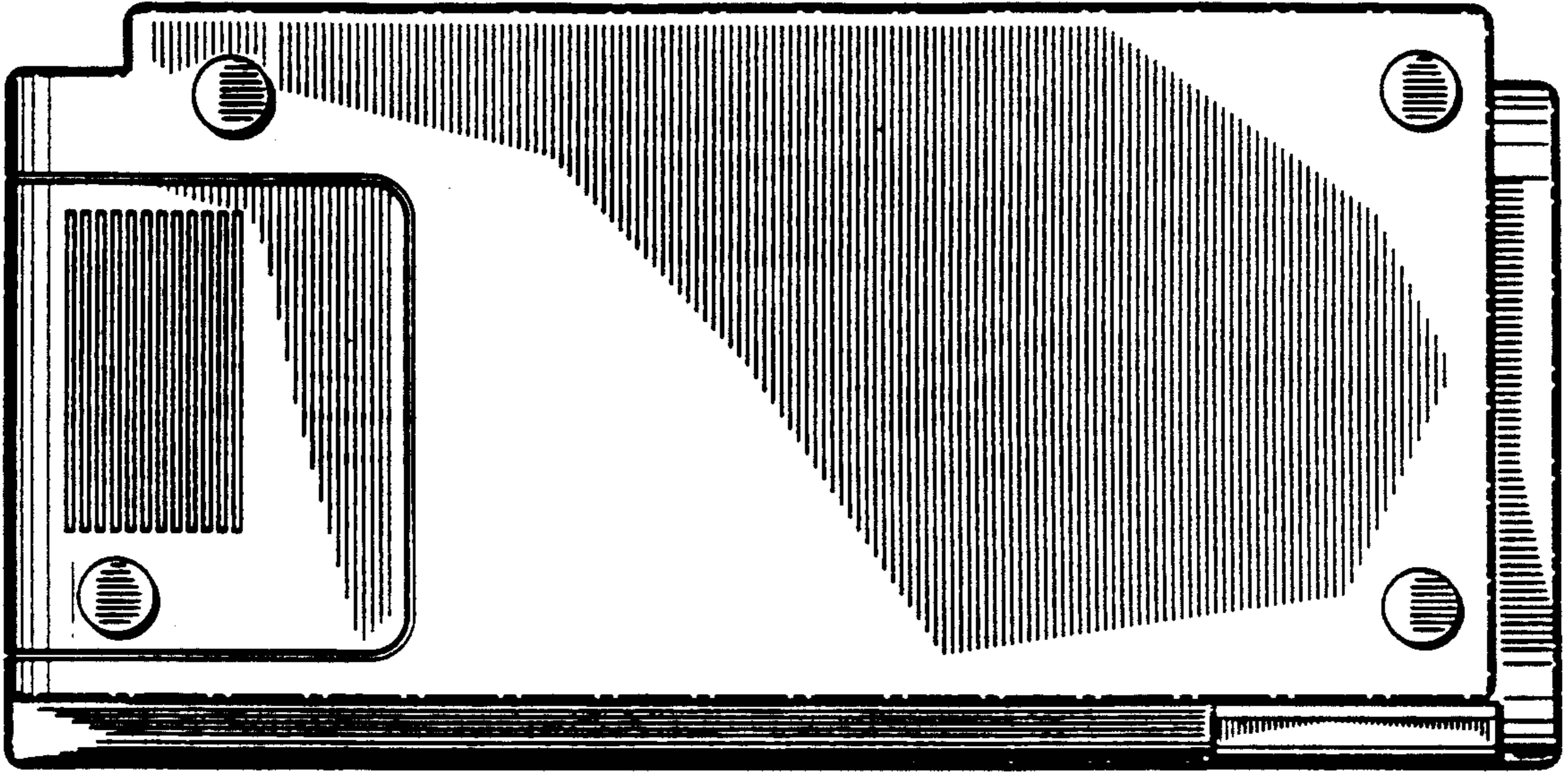


FIG.3

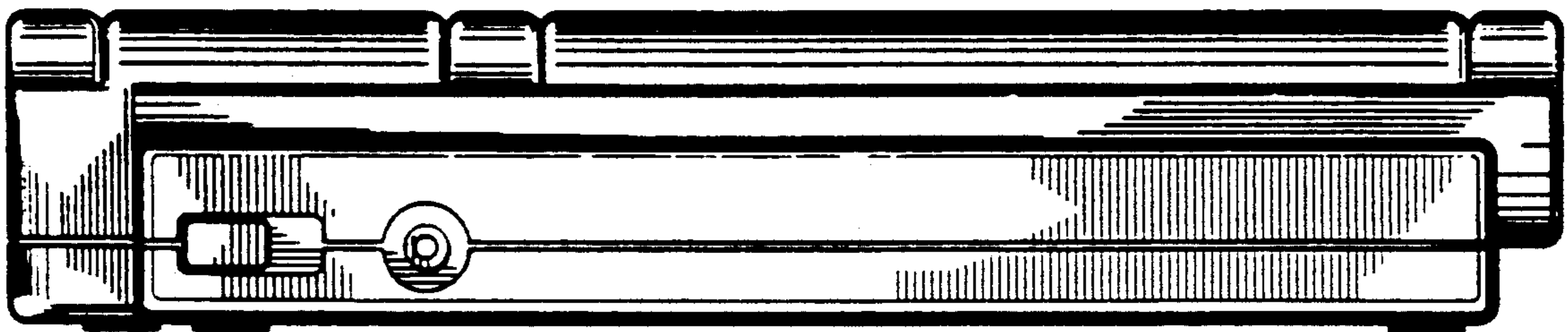


FIG.4