



US00D348880S

United States Patent [19]

[11] Patent Number: Des. 348,880

Wong et al.

[45] Date of Patent: ** Jul. 19, 1994

[54] **TOP-HOUSING FOR A TELEPHONE HANDSET**

[75] Inventors: **Allen Wong**, Streamwood; **George W. Meyer**, Buffalo Grove; **Russell Lansai**, Chicago, all of Ill.

[73] Assignee: **Motorola, Inc.**, Schaumburg, Ill.

[**] Term: **14 Years**

[21] Appl. No.: **8,584**

[22] Filed: **May 19, 1993**

[52] U.S. Cl. **D14/148**

[58] Field of Search 379/58-61, 379/419, 420, 440, 433, 428; D14/137, 138, 140, 147, 148, 240, 247, 248, 244; D21/111

- D. 299,136 12/1988 Taylor .
- D. 302,015 7/1989 Taylor .
- D. 306,441 3/1990 Taylor et al. .
- D. 315,559 3/1991 Taylor et al. .
- D. 315,565 3/1991 Taylor .
- D. 315,907 4/1991 Wong et al. .
- D. 316,859 5/1991 Wong et al. .
- D. 322,783 12/1991 Saluja et al. D14/138
- D. 337,332 7/1993 Saluja et al. D14/148 X
- D. 339,581 7/1993 Mischenko D14/148
- D. 339,582 9/1993 Wong et al. D14/148
- D. 342,729 12/1993 Nagele D14/148
- D. 343,173 1/1994 Soren D14/148
- D. 343,836 2/1994 Mischenko D14/148

Primary Examiner—Alan P. Douglas
Assistant Examiner—Jeffrey Asch
Attorney, Agent, or Firm—Kevin D. Kaschke

[56] **References Cited**

U.S. PATENT DOCUMENTS

- D. 246,043 10/1977 Taylor .
- D. 246,103 10/1977 Taylor .
- D. 248,758 8/1978 Krolopp et al. .
- D. 260,518 9/1981 Larson .
- D. 270,835 10/1983 Taylor .
- D. 271,491 11/1983 Taylor .
- D. 286,778 11/1986 Beaumont .
- D. 292,578 11/1987 Taylor .
- D. 292,920 11/1987 Taylor .
- D. 295,973 5/1988 Nagele .
- D. 295,975 5/1988 Taylor et al. .

[57] **CLAIM**

The ornamental design for a top-housing for a telephone handset, as shown and described.

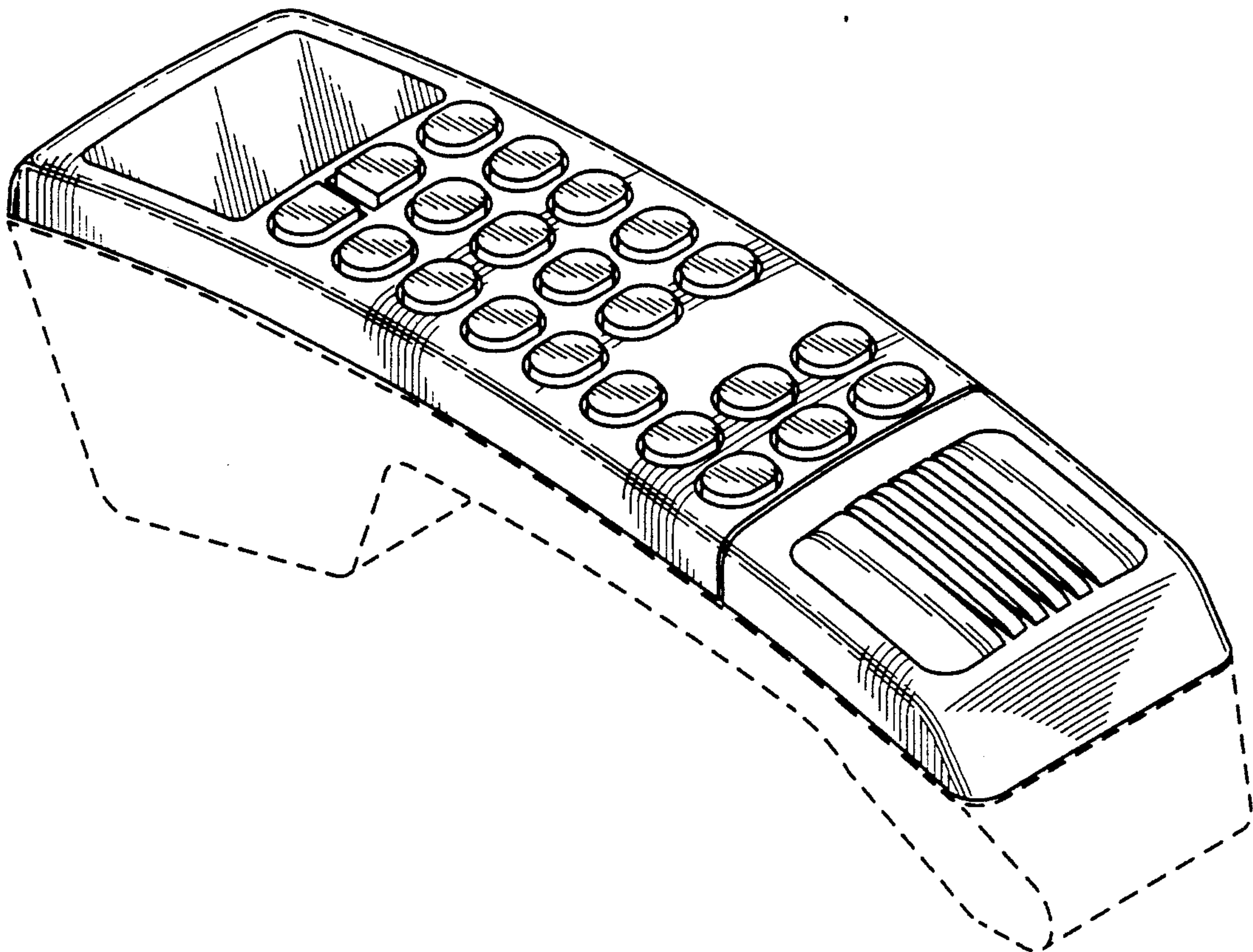
DESCRIPTION

FIG. 1 is a rear, top and right side perspective view of a top-housing for a telephone handset showing our new design;

FIG. 2 is a left side elevational view thereof; and,

FIG. 3 is a front elevational view thereof.

The broken line showing of a bottom-housing in all figures is for illustrative purposes only and forms no part of the claimed design.



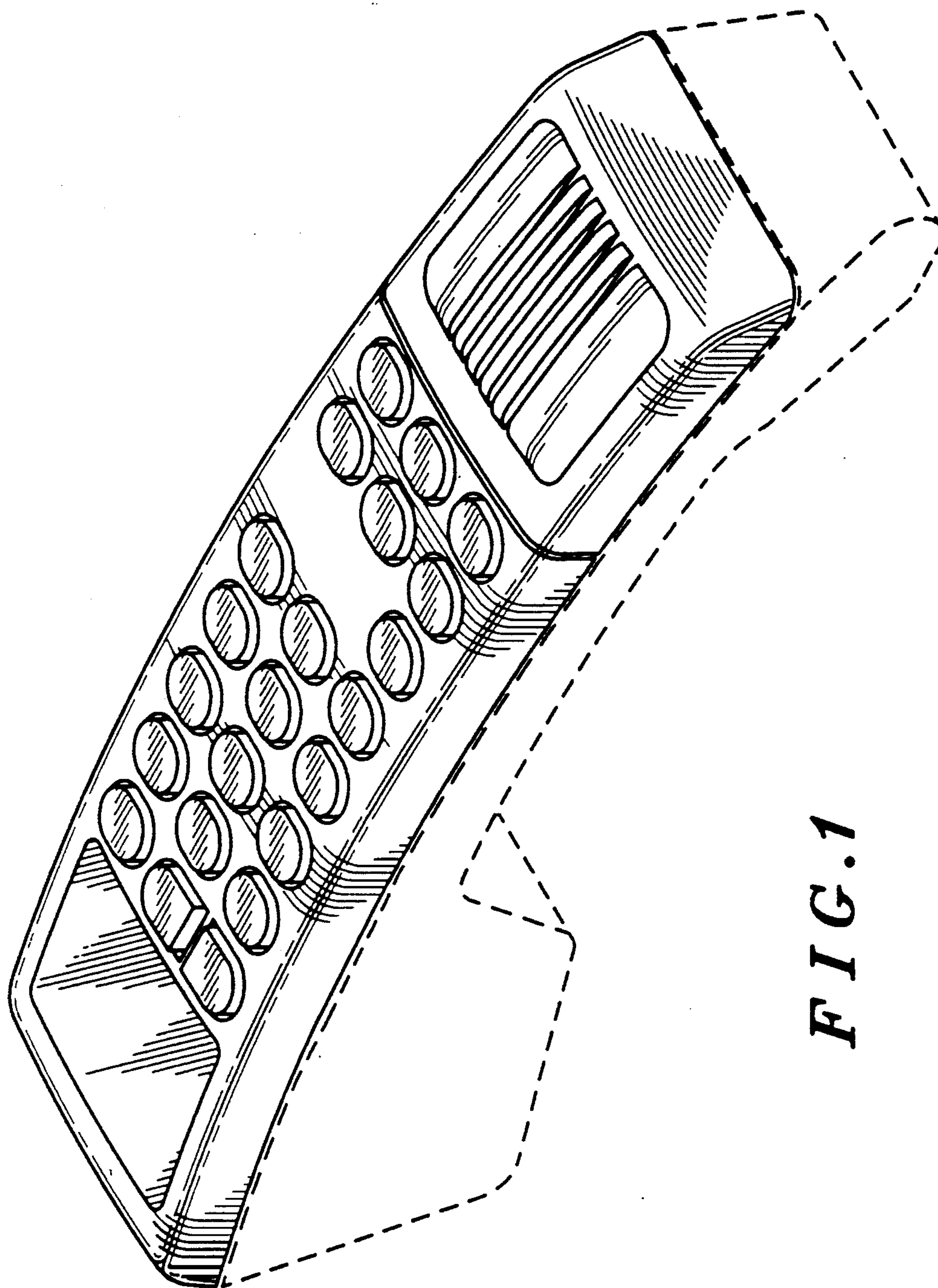


FIG. 1

FIG. 2

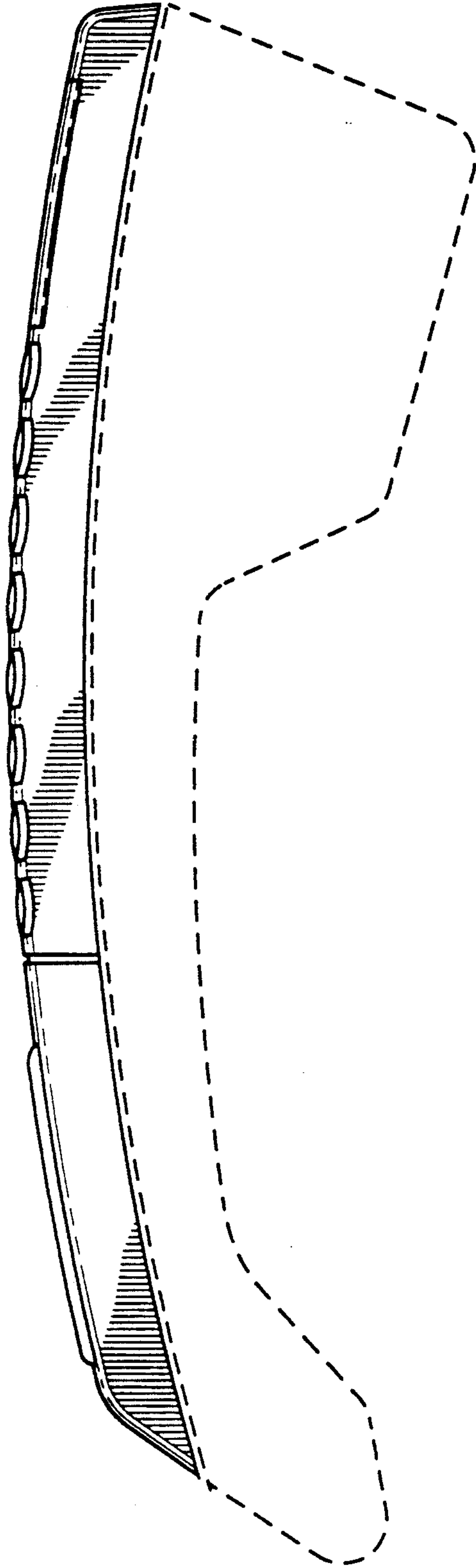
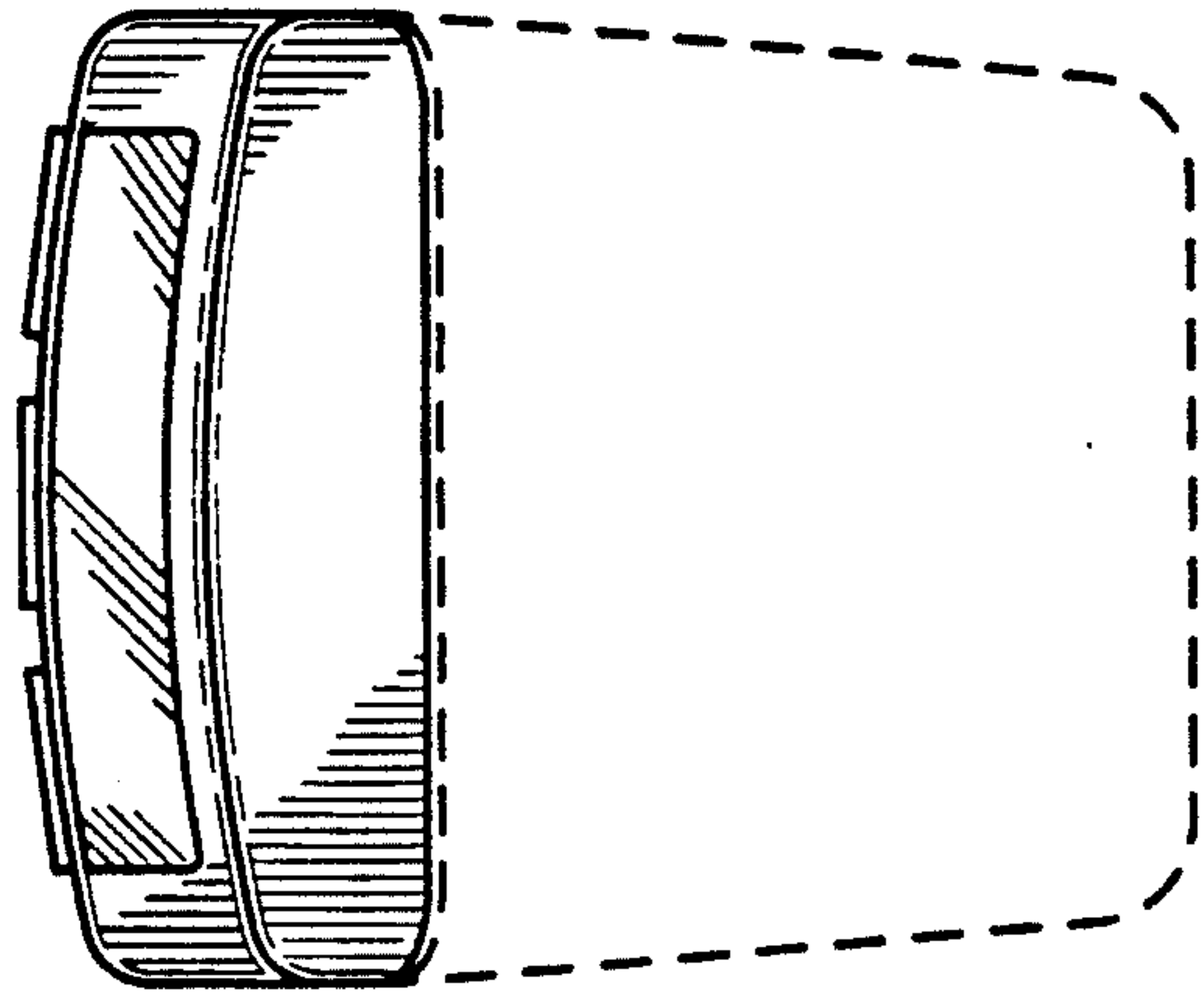


FIG. 3



UNITED STATES PATENT AND TRADEMARK OFFICE
CERTIFICATE OF CORRECTION

PATENT NO. : Des. 348,880

DATED : July 19, 1994

INVENTOR(S) : Allen Wong, George W. Meyer, Russell Ansai

It is certified that error appears in the above-identified patent and that said Letters Patent is hereby corrected as shown below:

On the title page item [75],

Inventor Russell "Lansai" should be corrected to read --Ansai--

Signed and Sealed this
Thirty-first Day of October 1995

Attest:



BRUCE LEHMAN

Attesting Officer

Commissioner of Patents and Trademarks