



US00D348873S

United States Patent [19]

[11] Patent Number: **Des. 348,873**

Mizusugi et al.

[45] Date of Patent: **** Jul. 19, 1994**

[54] **INTERFACE FOR A FLOPPY DISC DRIVE**

[56]

References Cited

U.S. PATENT DOCUMENTS

[75] Inventors: **Kanji Mizusugi, Mie; Kensho Tsuji; Hiroshi Yamamizu**, both of Nara, all of Japan

- D. 260,515 9/1981 Welch et al. D14/114
- D. 269,673 7/1983 Johansson et al. D14/114 X
- D. 285,926 9/1986 Kies et al. D14/114
- D. 313,404 1/1991 Myers D14/114 X
- D. 336,746 6/1993 Tse D14/114

[73] Assignee: **Sharp Kabushiki Kaisha**, Osaka, Japan

Primary Examiner—Wallace R. Burke
Assistant Examiner—M. H. Tung
Attorney, Agent, or Firm—Nixon & Vanderhye

[**] Term: **14 Years**

[57]

CLAIM

[21] Appl. No.: **849,214**

The ornamental design for a interface for a floppy disc drive, as shown and described.

[22] Filed: **Mar. 10, 1992**

DESCRIPTION

[30] Foreign Application Priority Data

- Sep. 13, 1991 [JP] Japan 3-27849
- [52] U.S. Cl. **D14/114**
- [58] Field of Search 174/50, 52.4; 360/132-133, 97.01, 97.12; 361/390-395; D14/100, 114, 116-117; D13/184

FIG. 1 is a top, front right side perspective view of an interface for a floppy disc according to the present design;

FIG. 2 is a front elevational view thereof;

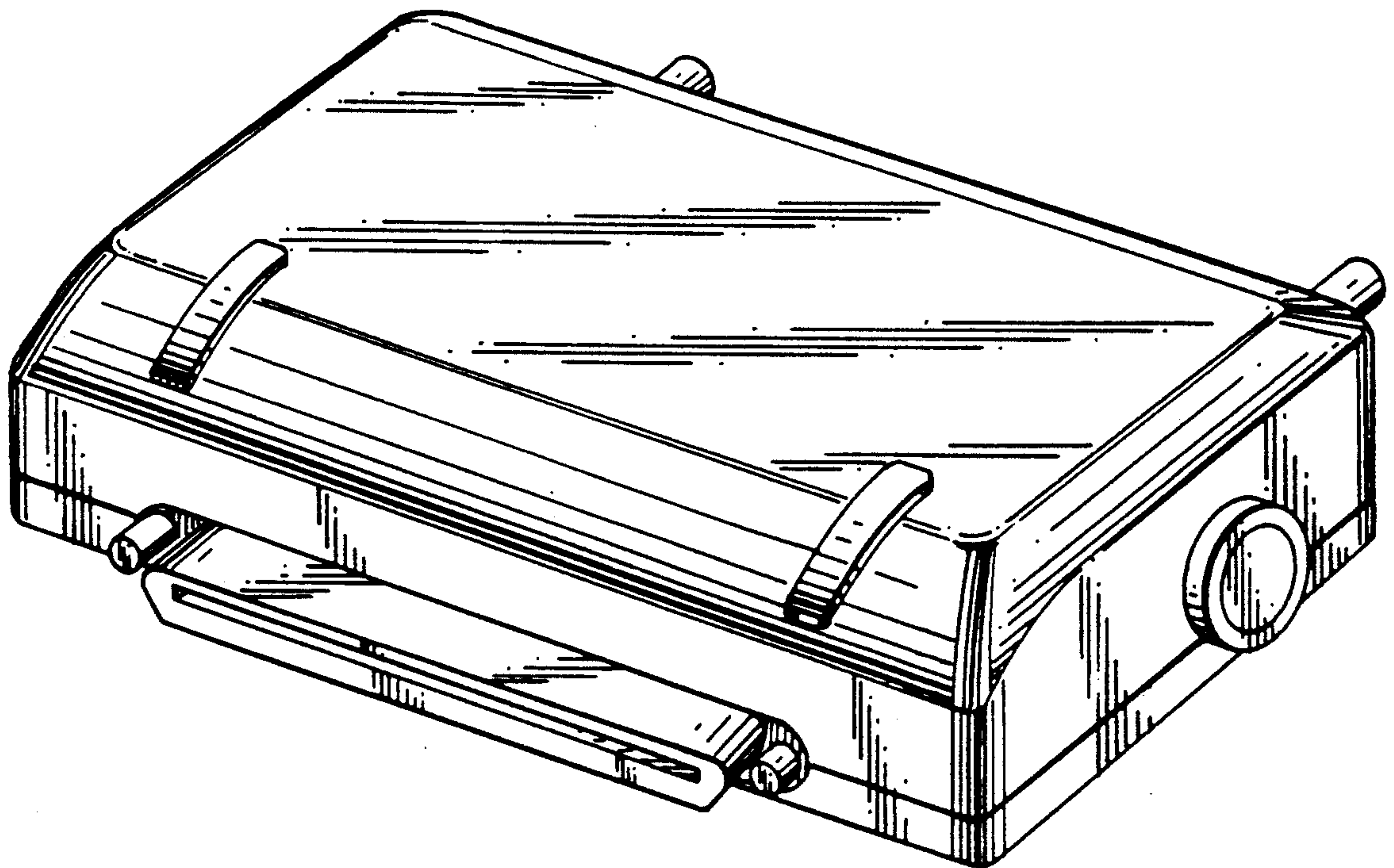
FIG. 3 is a top plan view thereof;

FIG. 4 is a right side elevational view thereof;

FIG. 5 is a left side elevational view thereof;

FIG. 6 is a rear elevational view thereof; and,

FIG. 7 is a bottom plan view thereof.



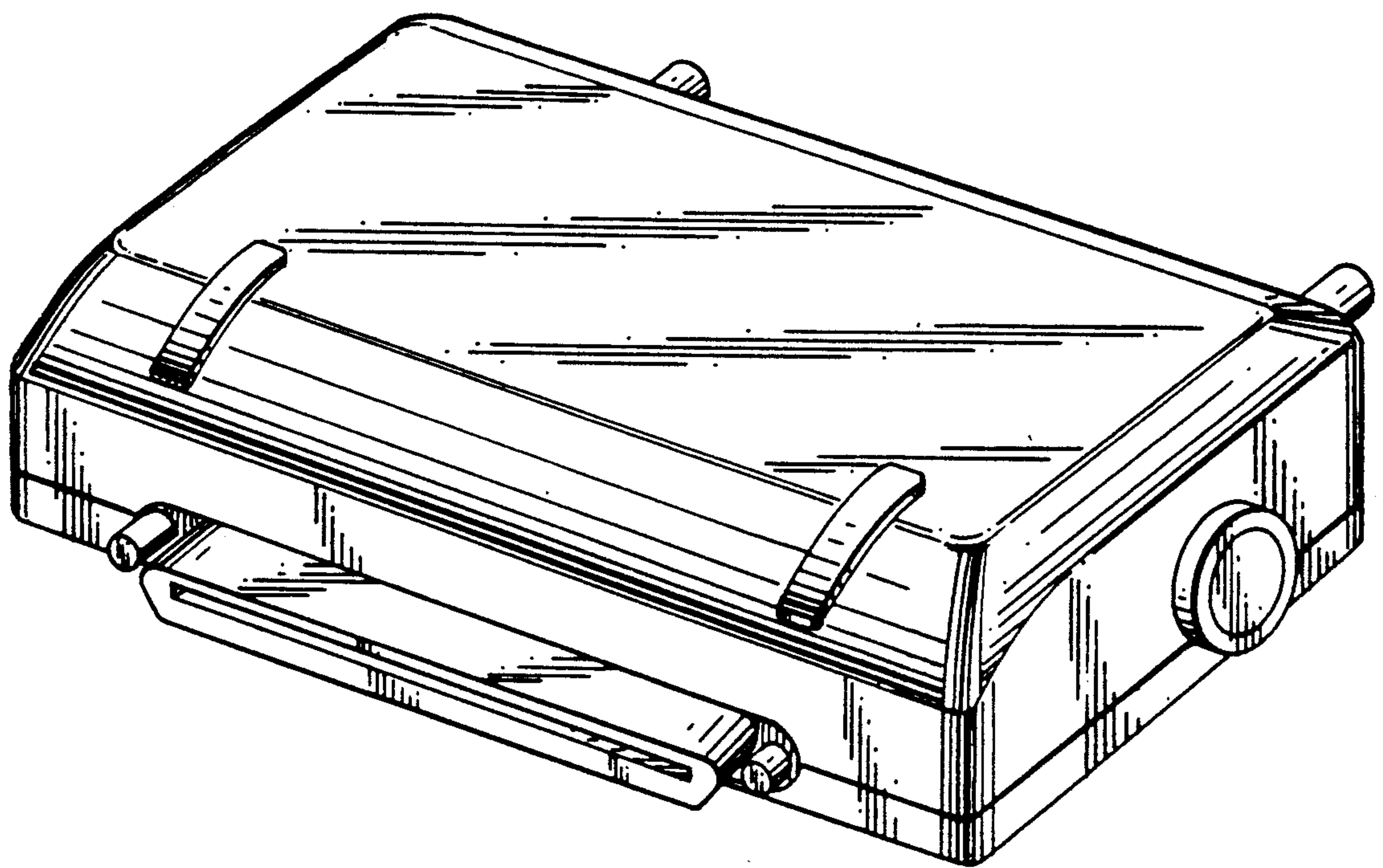


Fig. 1

Fig. 2

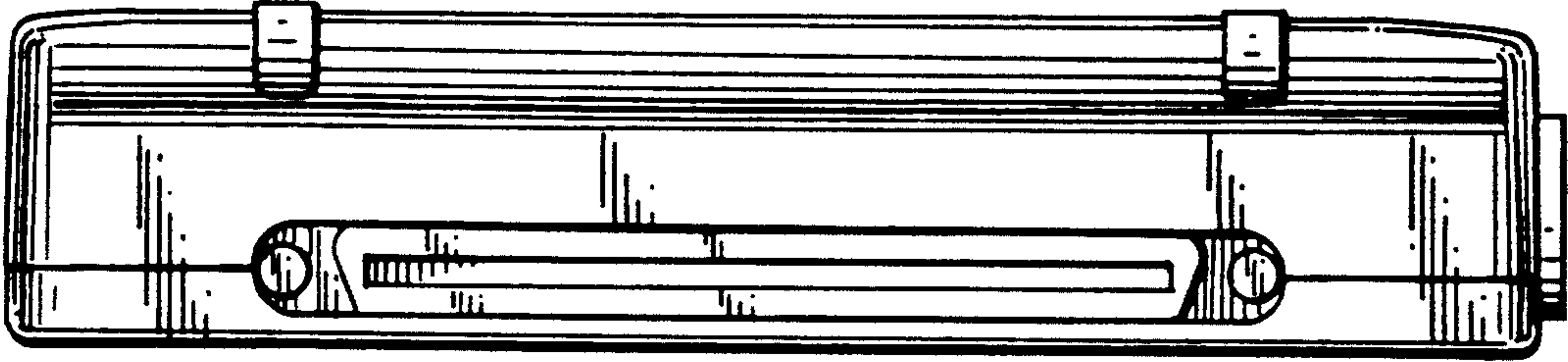


Fig. 3

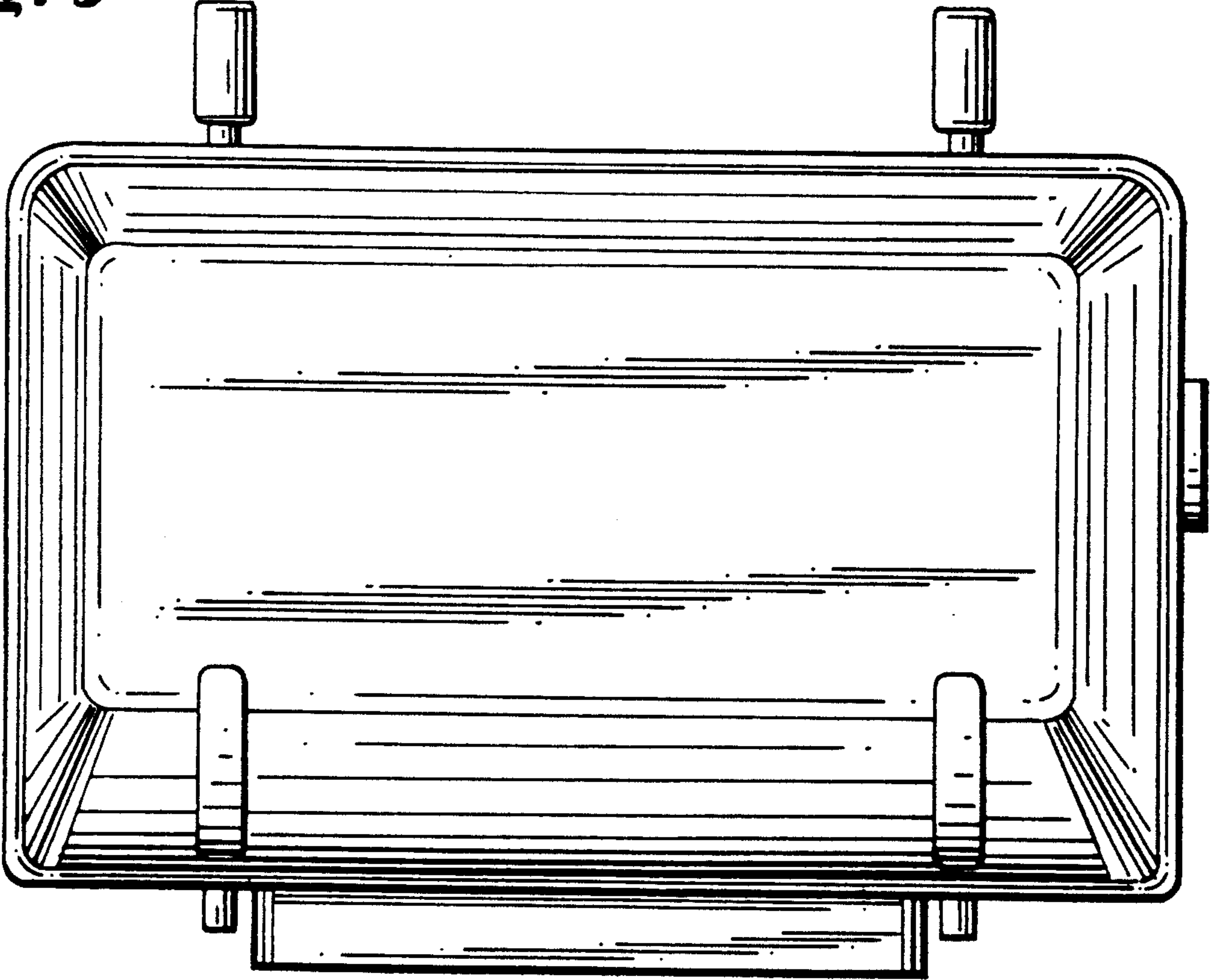


Fig. 4

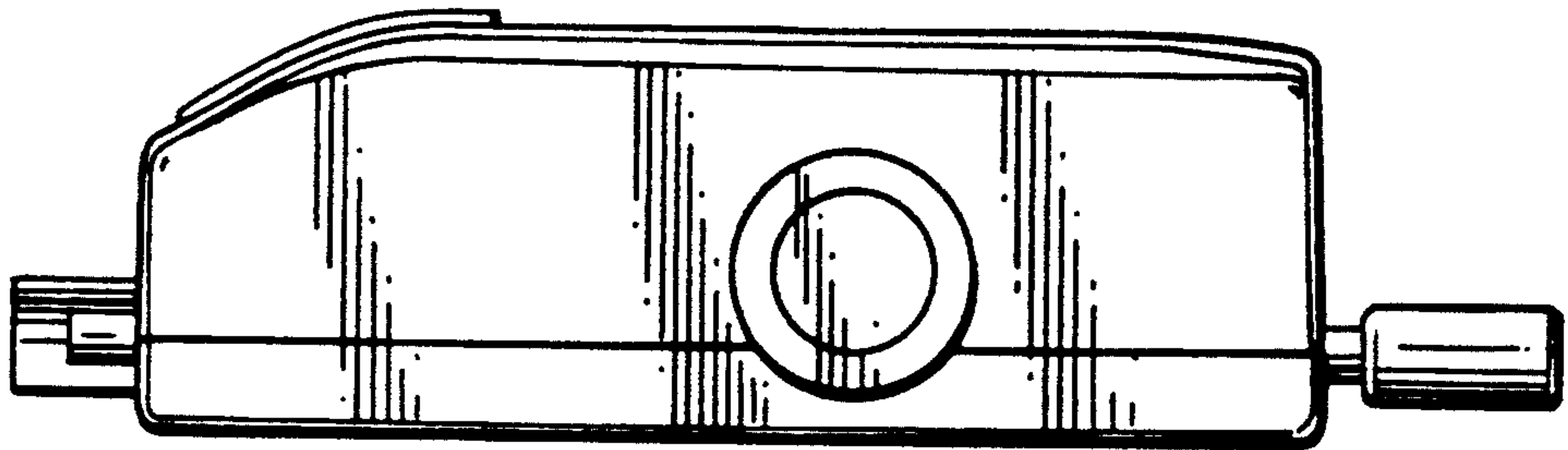


Fig. 5

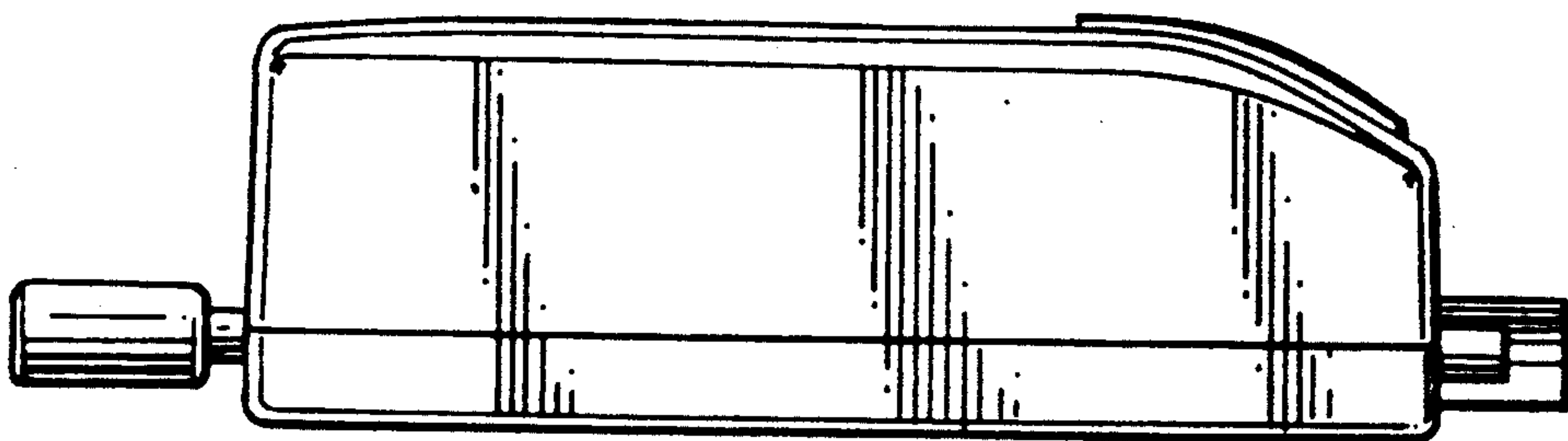


Fig. 6

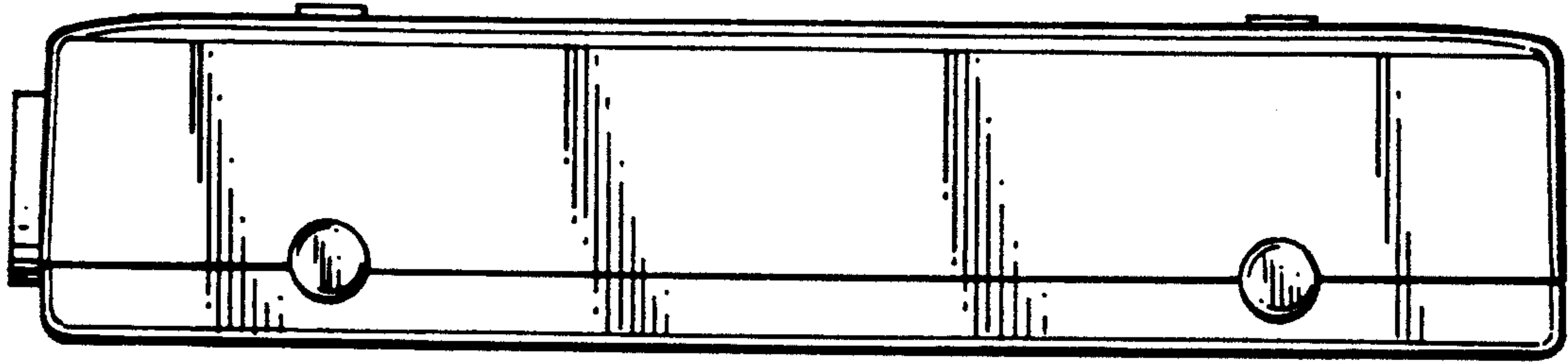


Fig. 7

