



US00D348871S

United States Patent [19]

Warrington

[11] Patent Number: **Des. 348,871**

[45] Date of Patent: **** Jul. 19, 1994**

[54] **ADAPTOR BOX TO RECEIVE AN ELECTRICAL ACCESSORY COMPONENT**

[75] Inventor: **John Warrington, Ware, England**

[73] Assignee: **M. K. Electric Ltd., London, England**

[**] Term: **14 Years**

[21] Appl. No.: **3,057**

[22] Filed: **Dec. 29, 1992**

[30] **Foreign Application Priority Data**

Jul. 1, 1992 [GB] United Kingdom 2023969

[52] U.S. Cl. **D13/152**

[58] Field of Search 439/535, 536; 174/50, 174/52.1, 53, 55, 57, 65 R, 66; 220/3.2, 3.7; D13/152, 156

[56] **References Cited**

U.S. PATENT DOCUMENTS

- 3,437,738 4/1969 Wagner 174/57 X
- 3,684,819 8/1972 Wilson 174/53
- 4,249,035 2/1981 Watley 439/535 X
- 4,894,024 1/1990 Debortoli et al. 439/535
- 5,064,386 11/1991 Dale et al. 439/535

5,117,996 6/1992 McShane 174/57 X

FOREIGN PATENT DOCUMENTS

- 0468869 1/1992 European Pat. Off. D13/535
- 3209279 10/1983 Fed. Rep. of Germany 220/3.2
- 3709239 9/1988 Fed. Rep. of Germany 174/53
- 2640419 6/1990 France 174/55
- 2183107 5/1987 United Kingdom 220/3.2

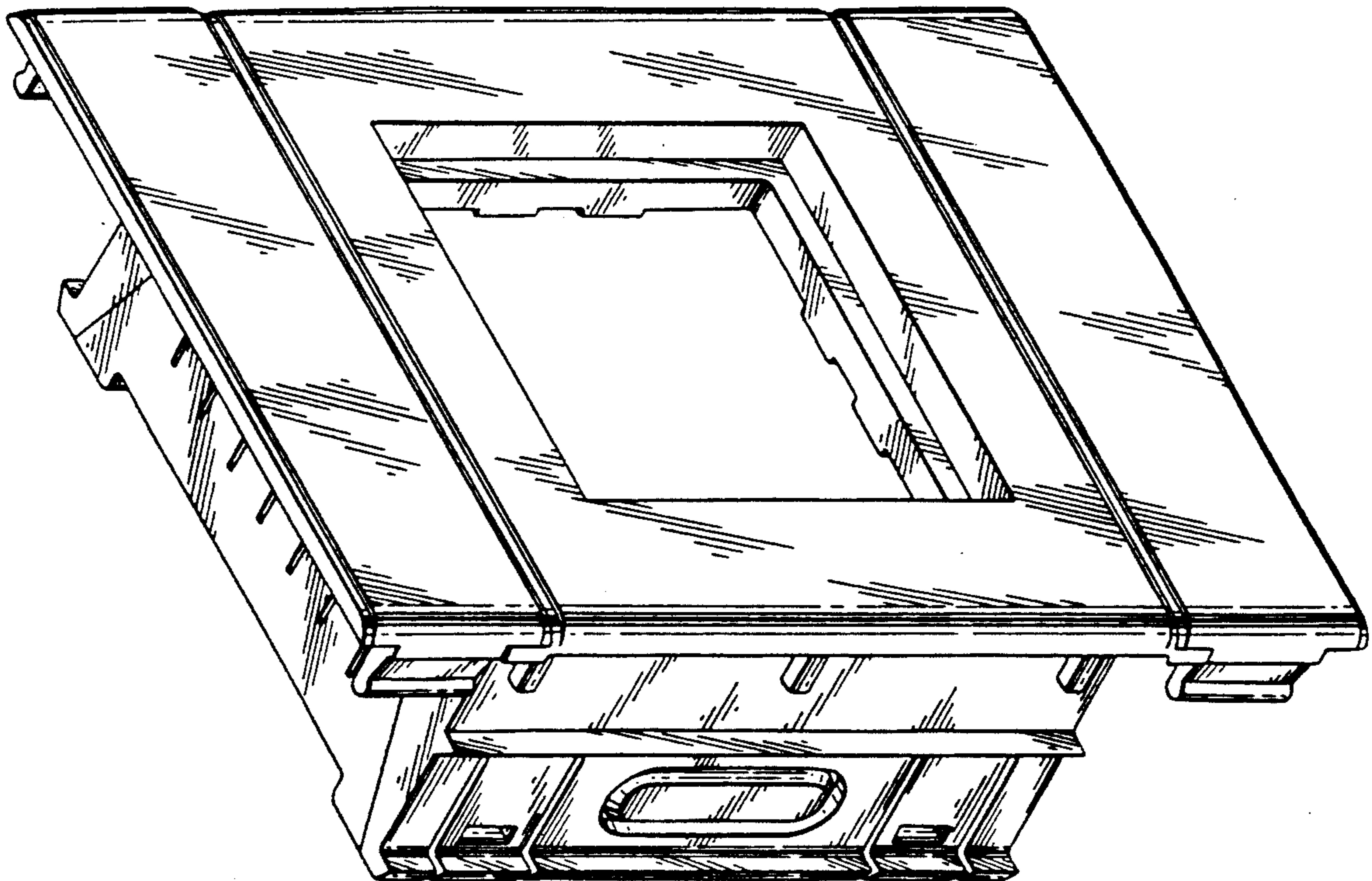
Primary Examiner—Wallace R. Burke
Assistant Examiner—Joel Sincavage
Attorney, Agent, or Firm—Ryan, Kees & Hohenfeldt

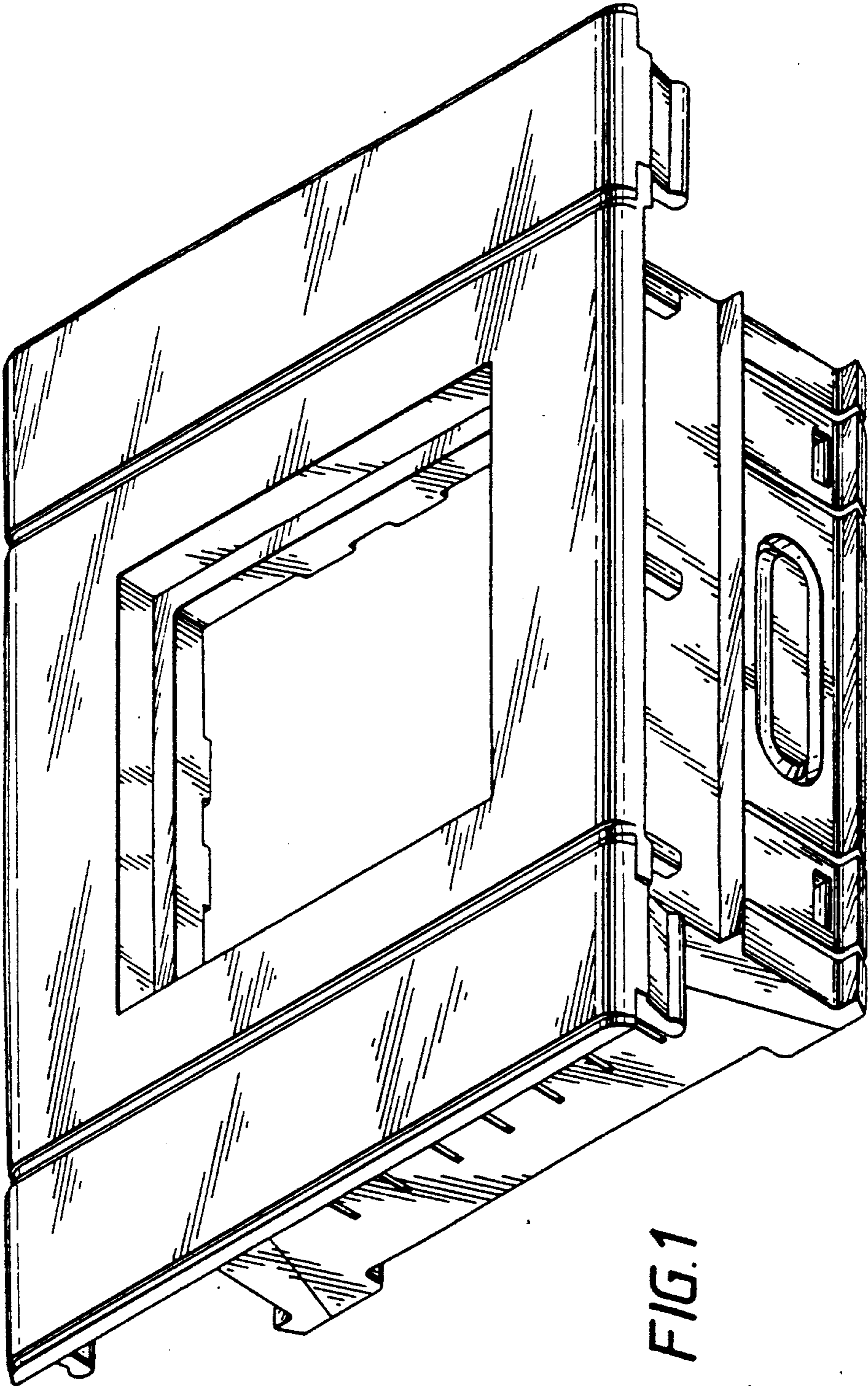
[57] **CLAIM**

The ornamental design for an adaptor box to receive an electrical accessory component, as shown and described.

DESCRIPTION

FIG. 1 is a perspective view an of adaptor box to receive an electrical accessory component showing my new design as seen from the top and one side; FIG. 2 is a perspective view thereof from above and one side with one component dismantled; FIG. 3 is a perspective view from underneath and one side of assembled adaptor box; and, FIG. 4 is an exploded perspective view from underneath and one side thereof.





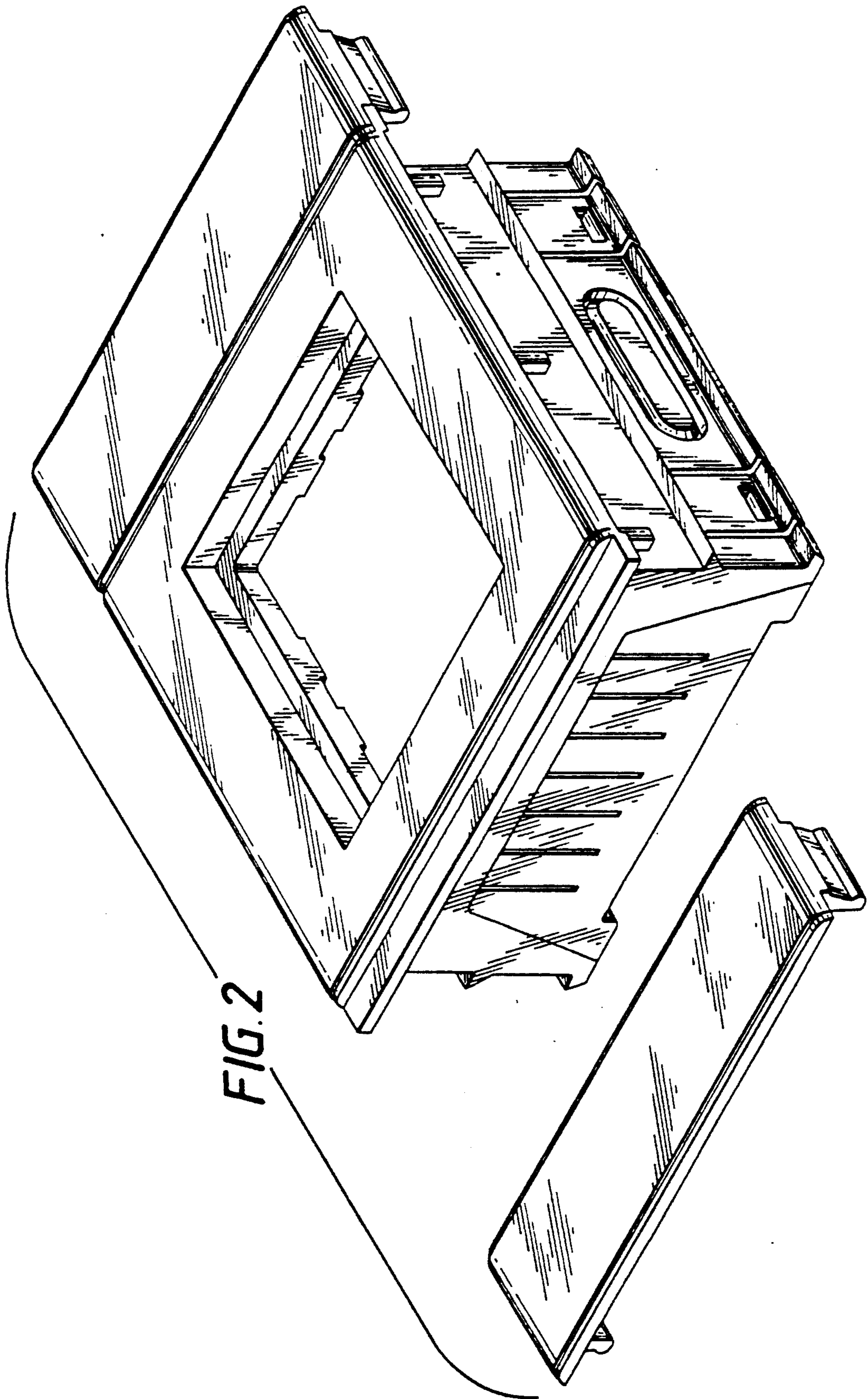


FIG. 2

FIG. 3

