



US00D348869S

# United States Patent [19]

[11] Patent Number: Des. 348,869

Egger et al.

[45] Date of Patent: \*\* Jul. 19, 1994

## [54] POWER AMPLIFIER ENCLOSURE

[75] Inventors: Sally A. Egger, Elgin; Daniel J. Schaeffer; Frank J. Gordon, both of Arlington Heights, all of Ill.

[73] Assignee: Motorola, Inc., Schaumburg, Ill.

[\*\*] Term: 14 Years

[21] Appl. No.: 1,226

[22] Filed: Nov. 9, 1992

[52] U.S. Cl. .... D13/123

[58] Field of Search ..... 361/383, 386, 388, 392; 363/15, 141, 142, 143, 144, 145, 146; 165/80.3; D13/110, 179; D14/107, 217, 240

## [56] References Cited

### U.S. PATENT DOCUMENTS

D. 315,832	4/1991	Rocheleau et al. ....	D13/179
D. 328,057	7/1992	Prager et al. ....	D13/110
4,454,566	6/1984	Coyne .....	361/386
4,557,225	10/1985	Sagues et al. ....	165/80.3 X
5,003,429	3/1991	Baker et al. ....	361/383 X
5,019,939	5/1991	Reimer .....	361/386
5,030,793	7/1991	McCarthy .....	361/383 X
5,130,891	7/1992	Christie .....	361/392 X

## FOREIGN PATENT DOCUMENTS

2608125 8/1977 Fed. Rep. of Germany ..... 361/383

## OTHER PUBLICATIONS

Amplifiers on p. 147 of *MCM Electronics* Summer 1991 catalog No. 27.

Amplifiers on p. 150 of *MCM Electronics* Summer 1991 catalog No. 27.

Primary Examiner—Wallace R. Burke

Assistant Examiner—Joel Sincavage

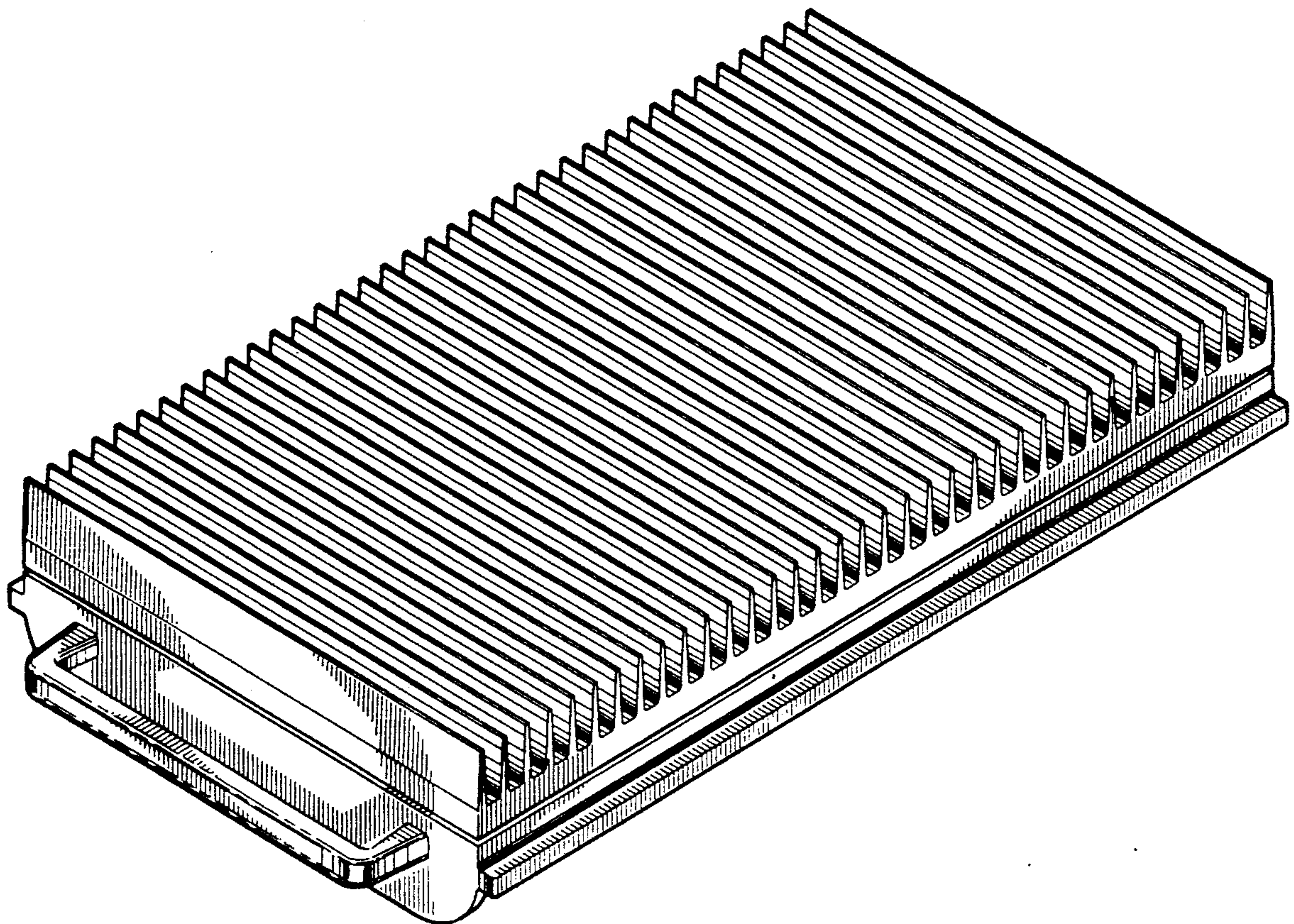
Attorney, Agent, or Firm—Val Jean F. Hillman

## [57] CLAIM

The ornamental design for a power amplifier enclosure, as shown and described.

## DESCRIPTION

FIG. 1 is a front and lower left perspective view of a power amplifier enclosure showing our design; FIG. 2 is a rear elevational view thereof; FIG. 3 is a top plan view thereof; FIG. 4 is a left side elevational view thereof, the right side elevational view thereof being a mirror image; and, FIG. 5 is a top and rear left perspective view of a power amplifier enclosure showing our design.



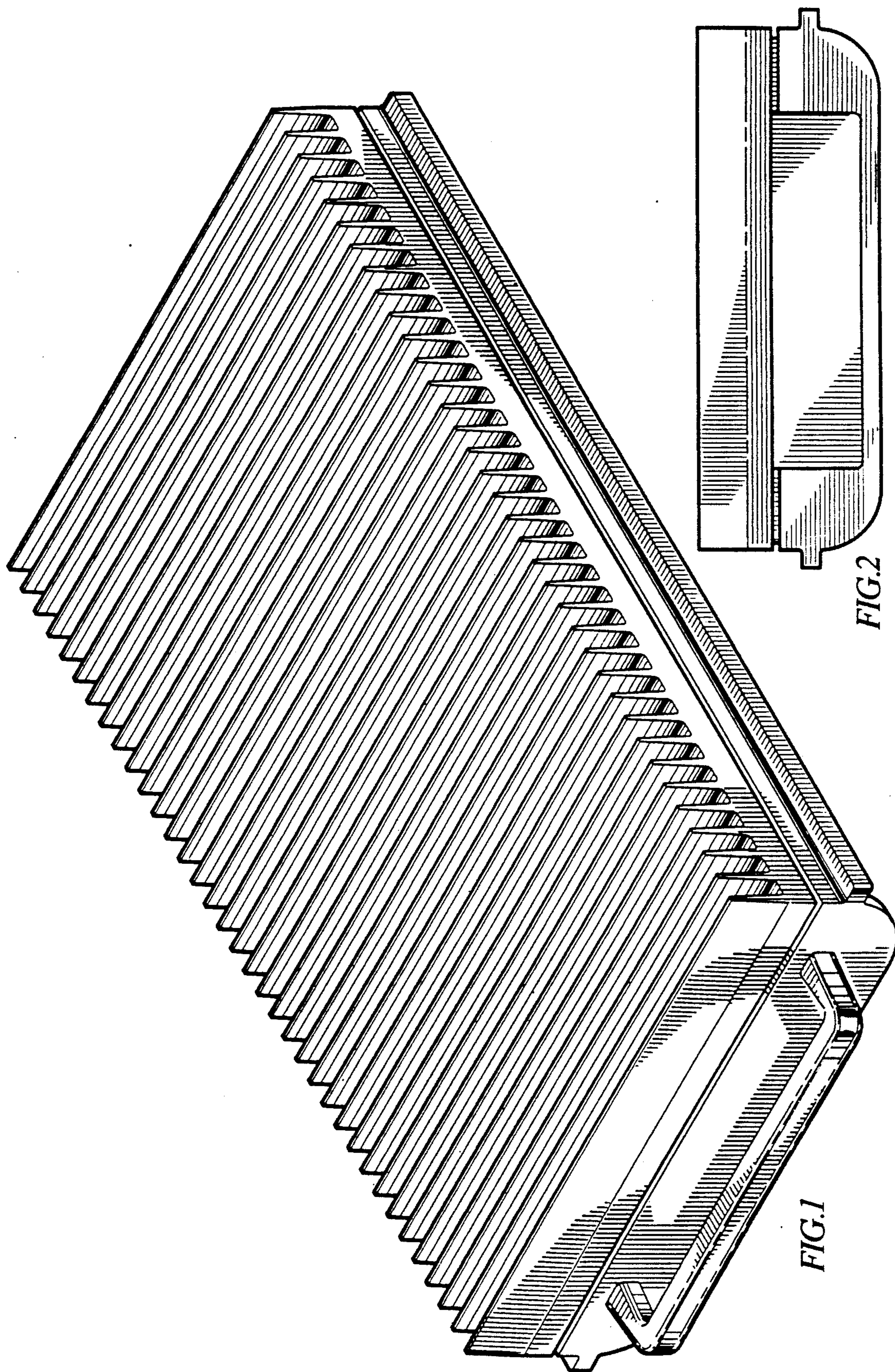


FIG. 2

FIG. 1

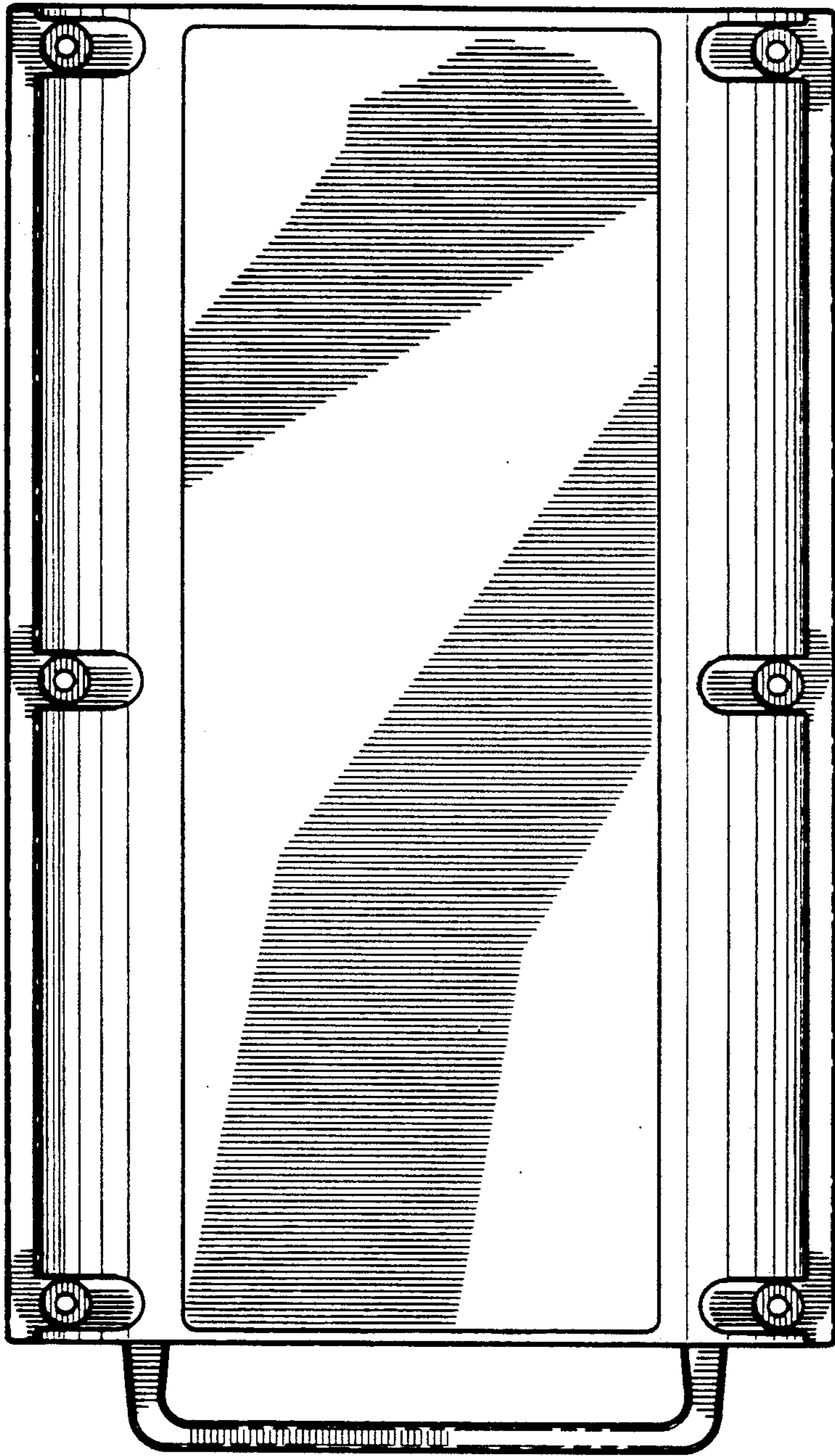


FIG.3

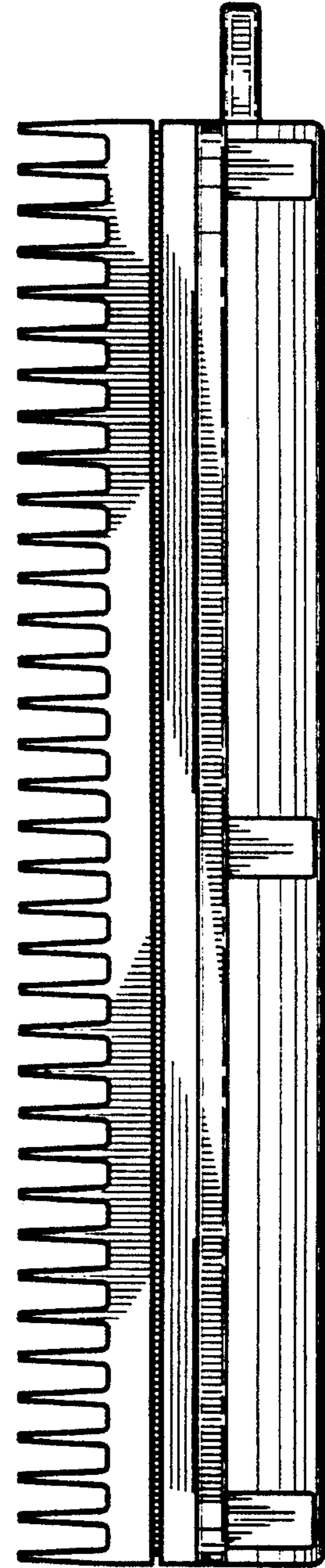


FIG.4

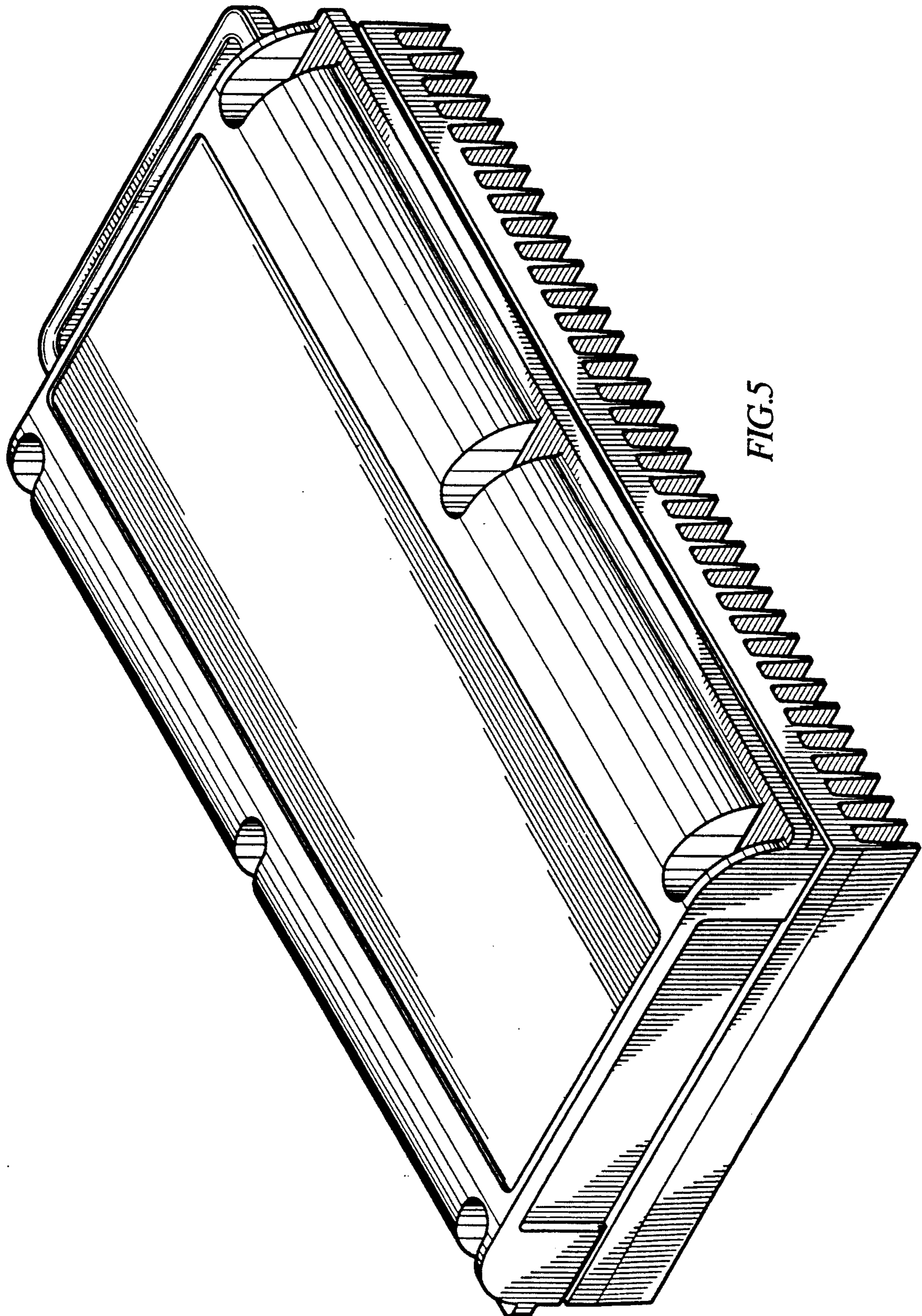


FIG.5