



US00D348867S

United States Patent [19]
Snyder

[11] **Patent Number: Des. 348,867**
[45] **Date of Patent: ** Jul. 19, 1994**

[54] **VEHICLE GLOVE BOX**

[75] **Inventor: Bernard G. Snyder, Royal Oak, Mich.**

[73] **Assignee: Chrysler Corporation, Highland Park, Mich.**

[**] **Term: 14 Years**

[21] **Appl. No.: 6,511**

[22] **Filed: Mar. 29, 1993**

[52] **U.S. Cl. D12/415**

[58] **Field of Search 296/37.1, 37.8, 37.12; D12/155**

[56] **References Cited**

U.S. PATENT DOCUMENTS

4,445,720 5/1984 Leaf et al. 296/37.12

Primary Examiner—James M. Gandy
Attorney, Agent, or Firm—Edward A. Craig

[57] **CLAIM**

The ornamental design for a vehicle glove box, as shown and described.

DESCRIPTION

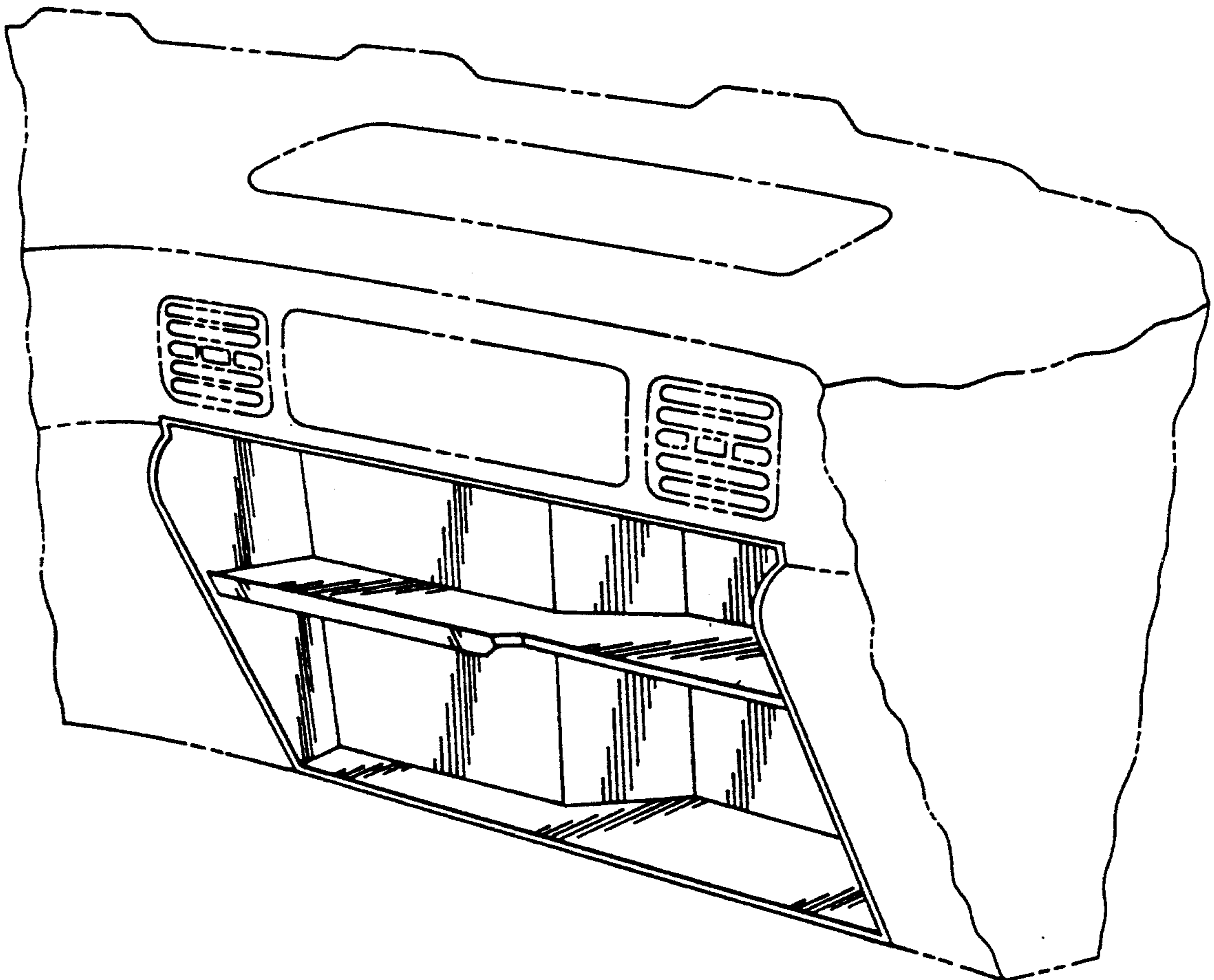
FIG. 1 is a view in perspective of a vehicle glove box showing my new design;

FIG. 2 is an enlarged front elevational view thereof; and,

FIG. 3 is an enlarged bottom plan view thereof.

The left and right sides, the rear and the top of the vehicle glove box are substantially plain and unornamented.

The housing shown in broken lines in FIGS. 1, 2 and 3 is shown for illustrative purposes only and forms no part of the claimed design.



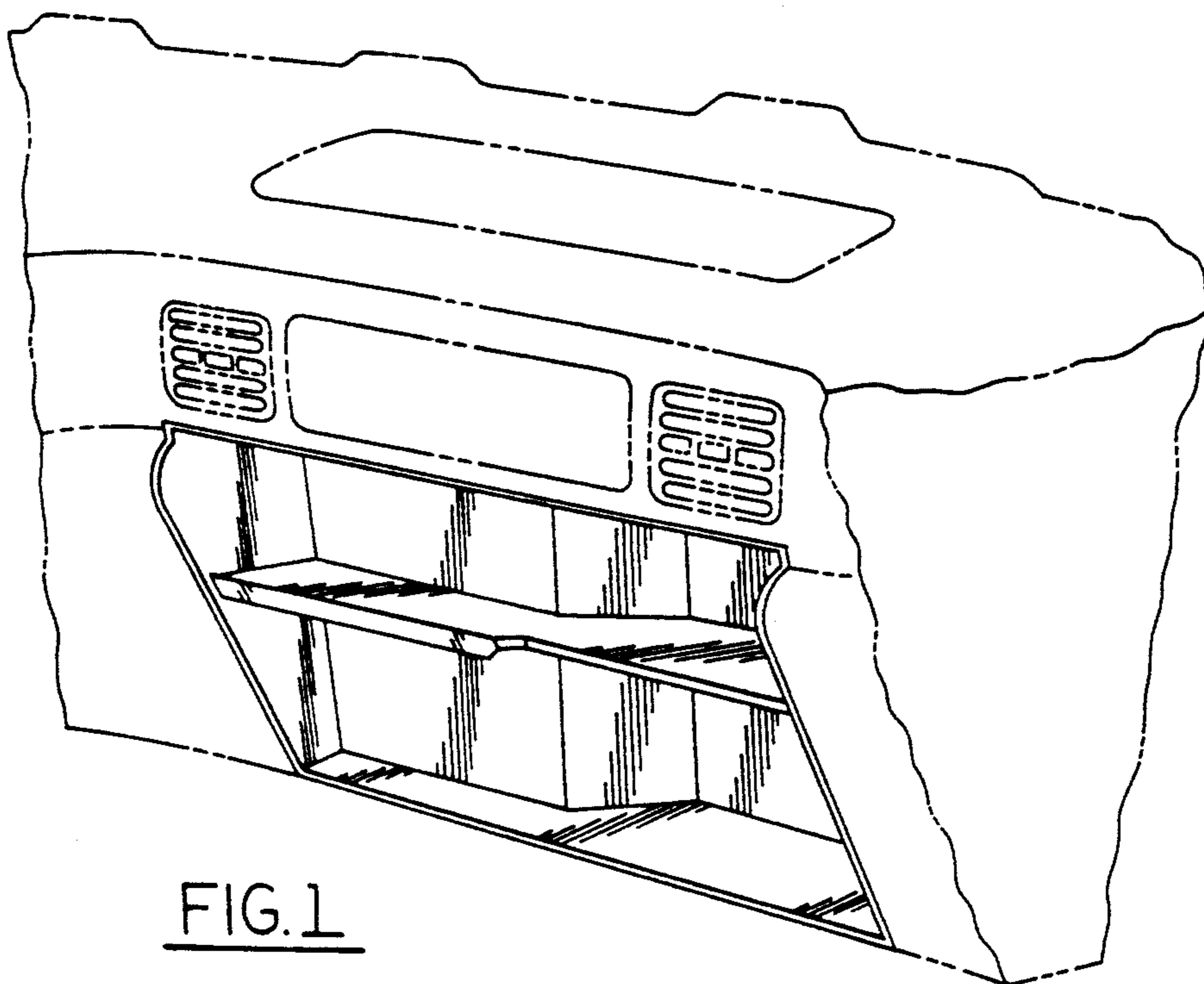


FIG. 1

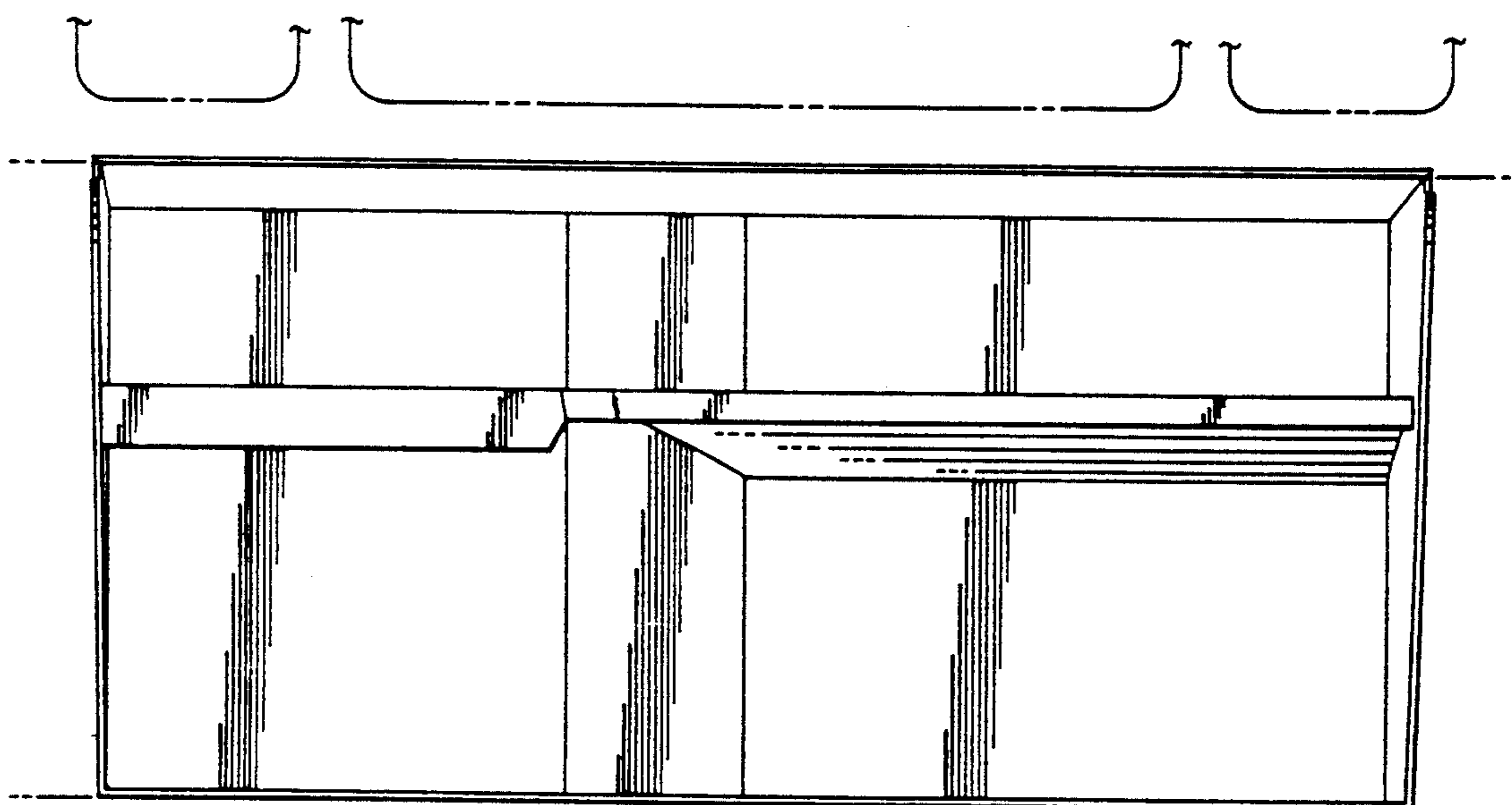


FIG. 2

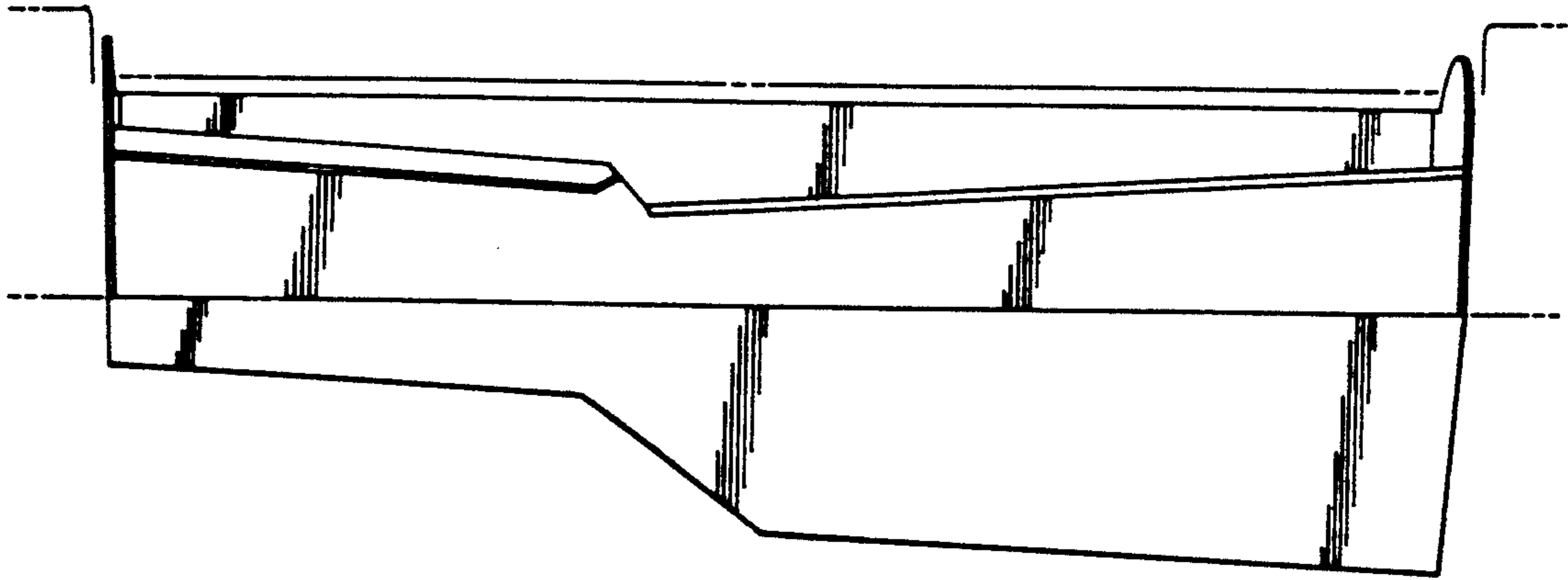


FIG.3