



US00D348866S

# United States Patent [19]

[11] Patent Number: Des. 348,866

Henn

[45] Date of Patent: \*\* Jul. 19, 1994

[54] SKI BOAT DIVERTER WITH TRIM FINS

Attorney, Agent, or Firm—G. Donald Weber, Jr.

[76] Inventor: Jimmy D. Henn, 710 Wedgewood La., La Habra, Calif. 90631

[57] CLAIM

[\*\*] Term: 14 Years

The ornamental design for a ski boat diverter with trim fins, as shown and described.

[21] Appl. No.: 4,872

### DESCRIPTION

[22] Filed: Feb. 16, 1993

[52] U.S. Cl. .... D12/317

[58] Field of Search ..... 440/41, 42; D12/317, D12/318, 307

FIG. 1 is a perspective view of the ski boat diverter with trim fins of the instant invention;

FIG. 2 is a side view of the ski boat diverter with trim fins of the instant invention, the opposite side view is the same;

FIG. 3 is a bottom view of the ski boat diverter with trim fins of the instant invention;

FIG. 4 is one end view of the ski boat diverter with trim fins of the instant invention;

FIG. 5 is the other end view of the ski boat diverter with trim fins of the instant invention; and,

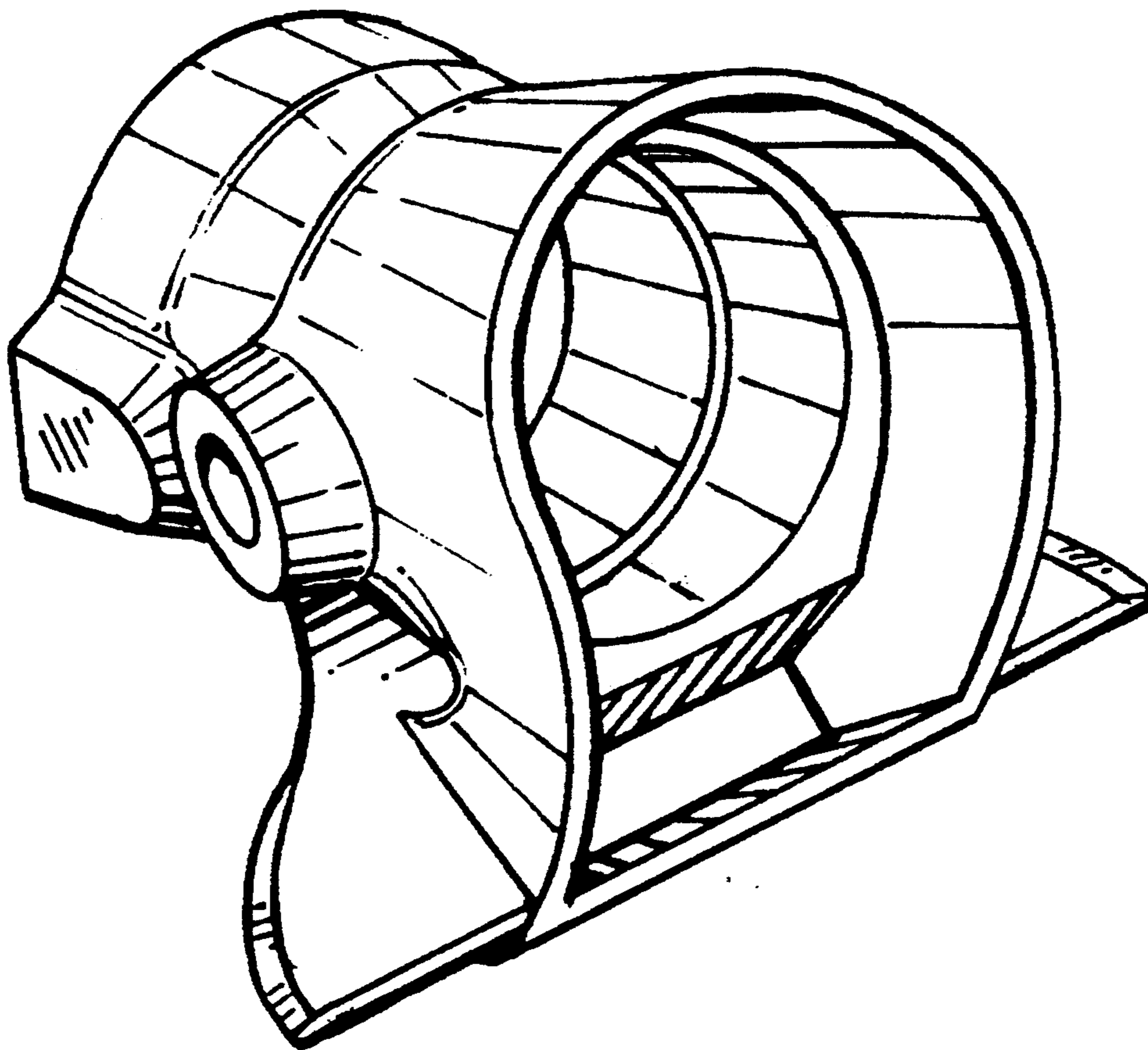
FIG. 6 is the top end view of the ski boat diverter with trim fins of the instant invention.

[56] References Cited

### U.S. PATENT DOCUMENTS

3,949,700	4/1976	Baroody	440/42
3,957,207	5/1976	Chronic	440/41
4,223,630	9/1980	Keeney	440/41
4,917,637	4/1990	Soga et al.	440/42

Primary Examiner—Kay H. Chin



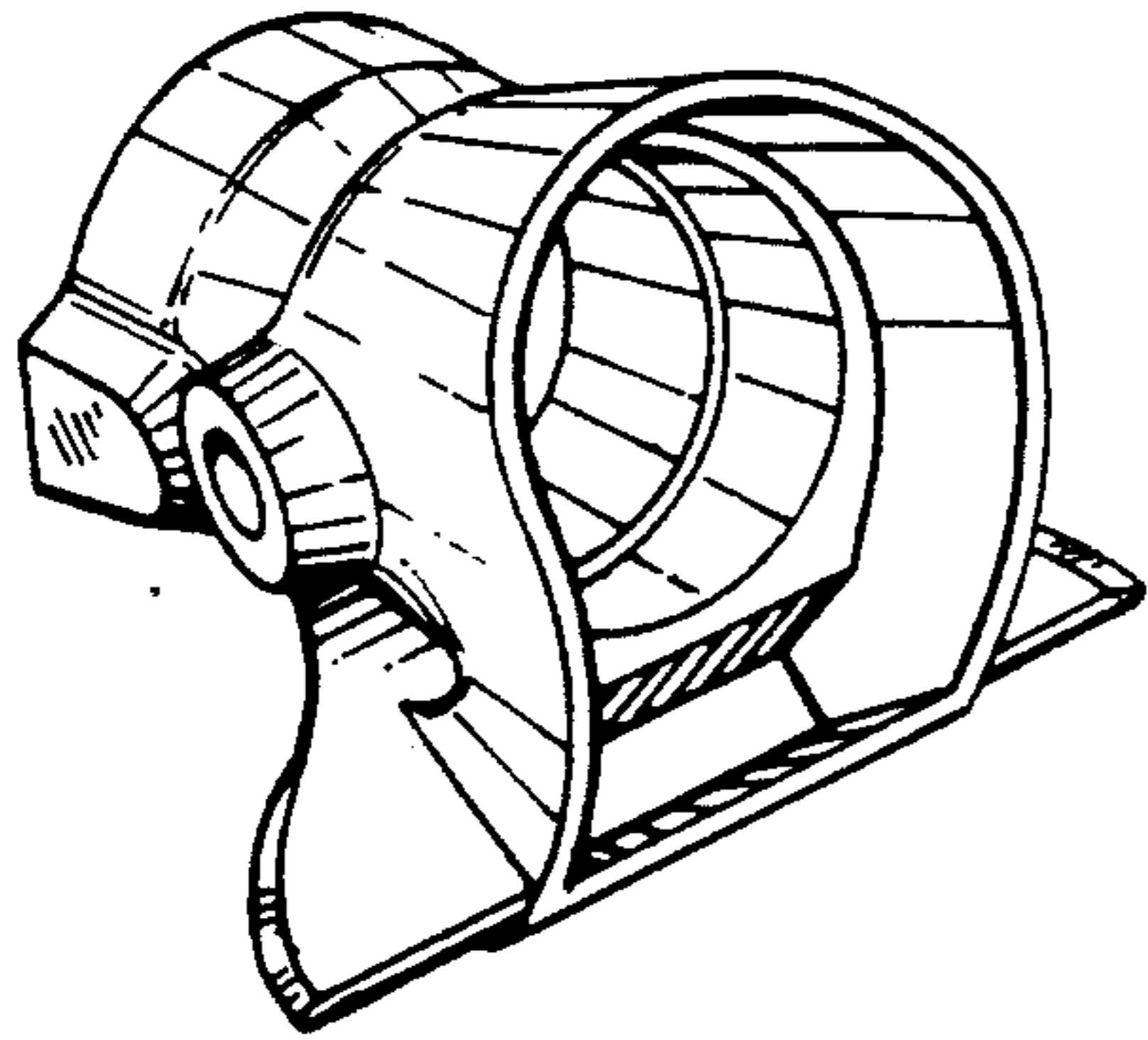


FIG. 1

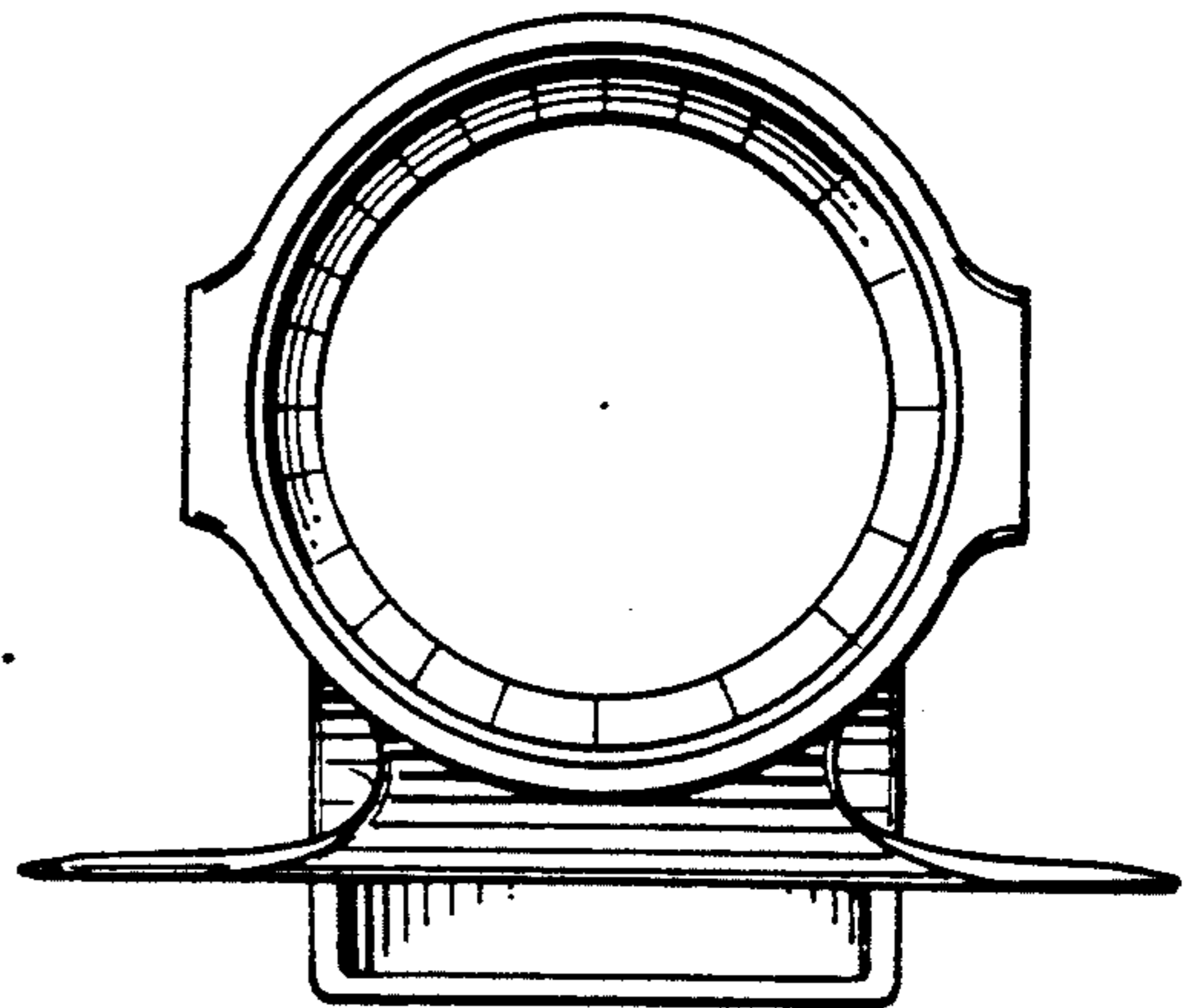


FIG. 4

FIG. 2

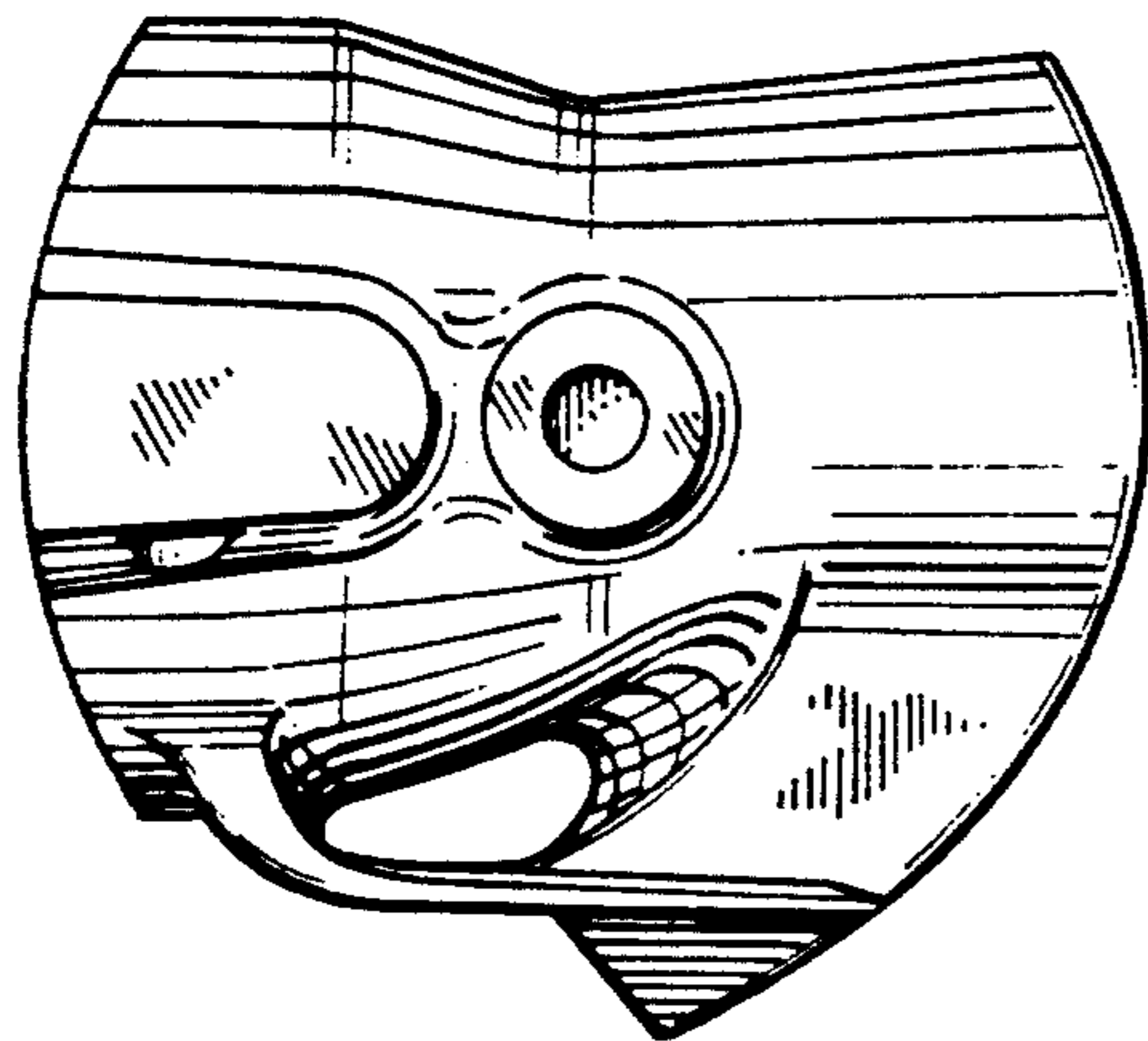


FIG. 5

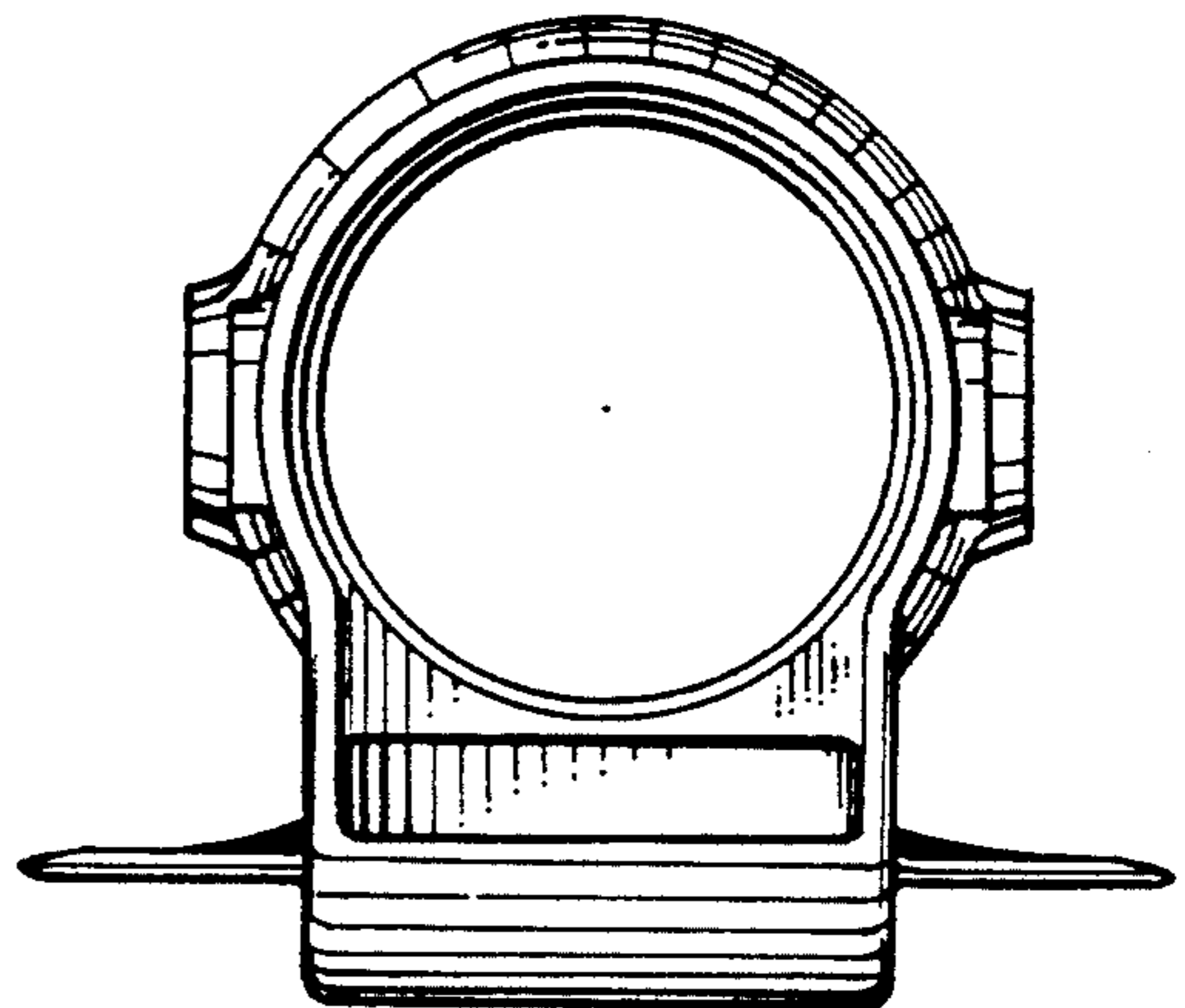


FIG. 3

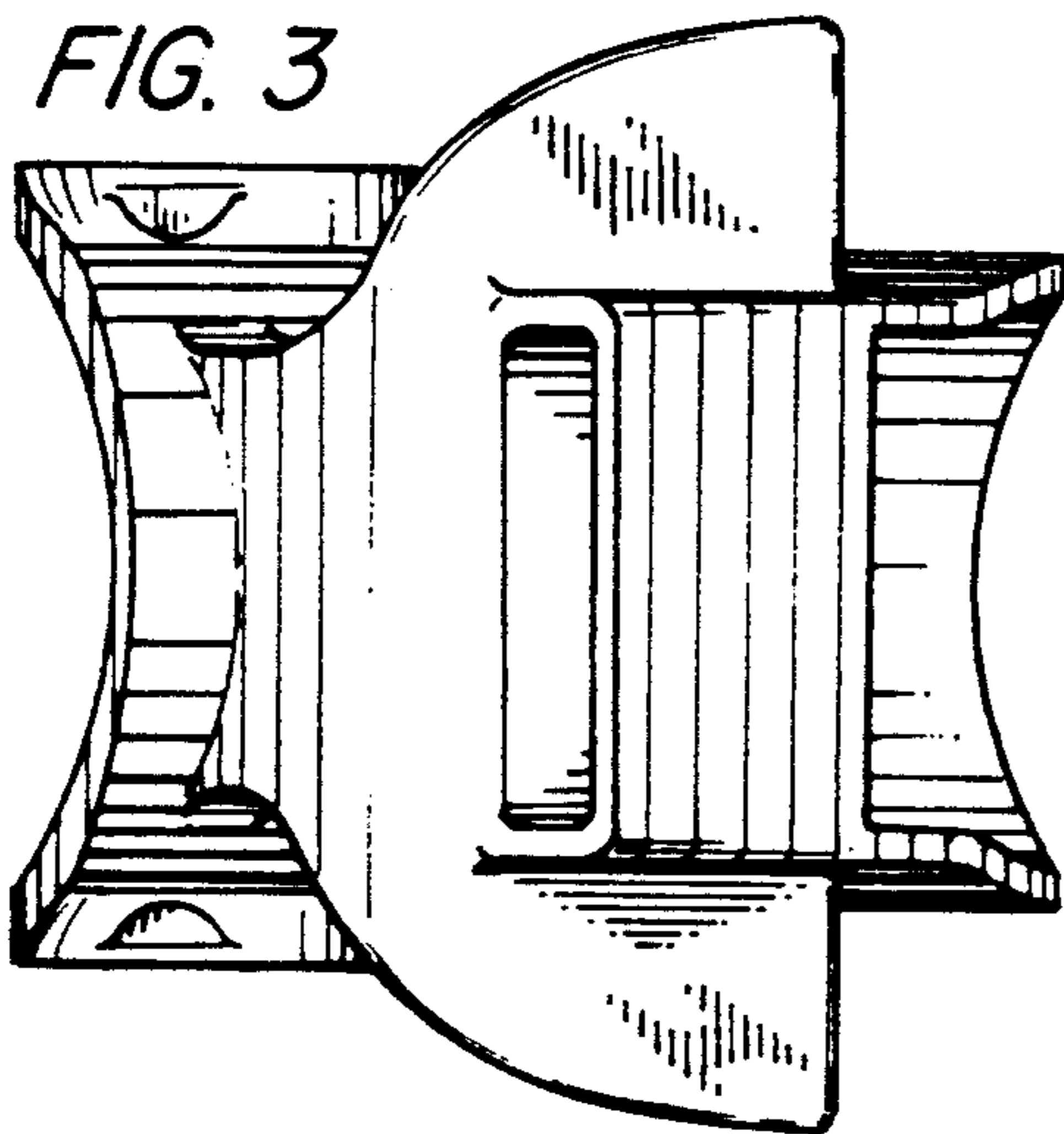


FIG. 6

