



US00D348865S

United States Patent [19]

[11] Patent Number: **Des. 348,865**

Nagata

[45] Date of Patent: **** Jul. 19, 1994**

[54] **FRAME FOR INSTALLING A CAR LICENSE PLATE**

Primary Examiner—James M. Gandy
Attorney, Agent, or Firm—Oliff & Berridge

[75] Inventor: **Yoichi Nagata**, Chigasaki, Japan

[57] **CLAIM**

[73] Assignee: **Nagata Industries Co., Ltd.**, Tokyo, Japan

The ornamental design for a frame for installing a car license plate, as shown and described.

[**] Term: **14 Years**

DESCRIPTION

[21] Appl. No.: **866,226**

FIG. 1 is a front elevational view of a frame for installing a car license plate showing my new design;

[22] Filed: **Apr. 8, 1992**

FIG. 2 is a cross-sectional view thereof along line 2—2 of FIG. 1;

[52] U.S. Cl. **D12/193**

[58] Field of Search **D6/300, 309, 310, 311; 40/200, 209; D12/193**

FIG. 3 is a cross-sectional view thereof along line 3—3 of FIG. 1;

[56] **References Cited**

U.S. PATENT DOCUMENTS

- D. 163,320 5/1951 Porrett et al. D12/193
- D. 303,179 9/1989 Evenson D6/310
- D. 335,858 5/1993 Traeger D12/193

FIG. 4 is a rear elevational view thereof;

FIG. 5 is a right hand side elevational view thereof (the left hand side being symmetrical);

FIG. 6 is a top plan view thereof (the bottom being symmetrical); and,

FIG. 7 is a perspective view thereof.

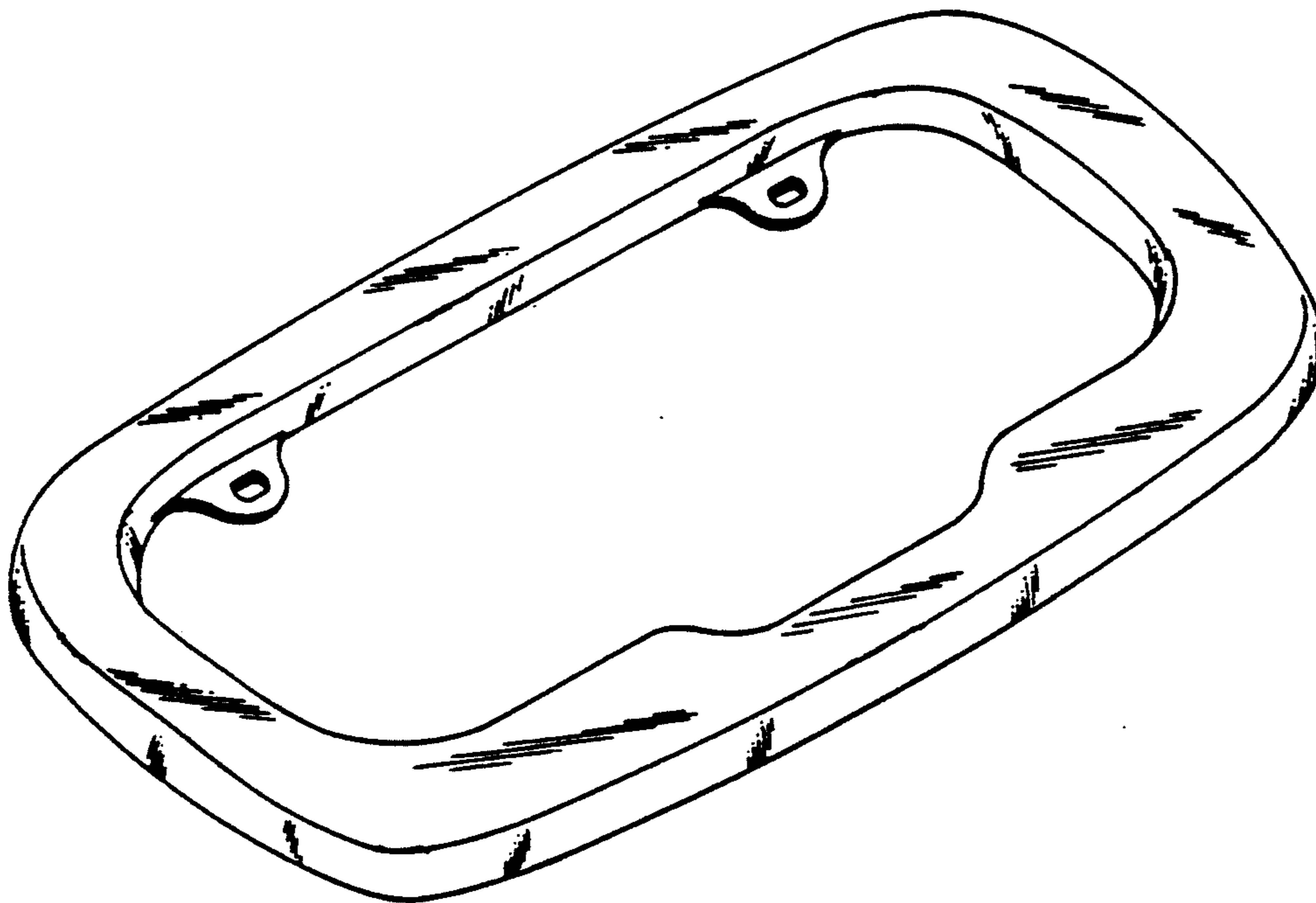


FIG. 1

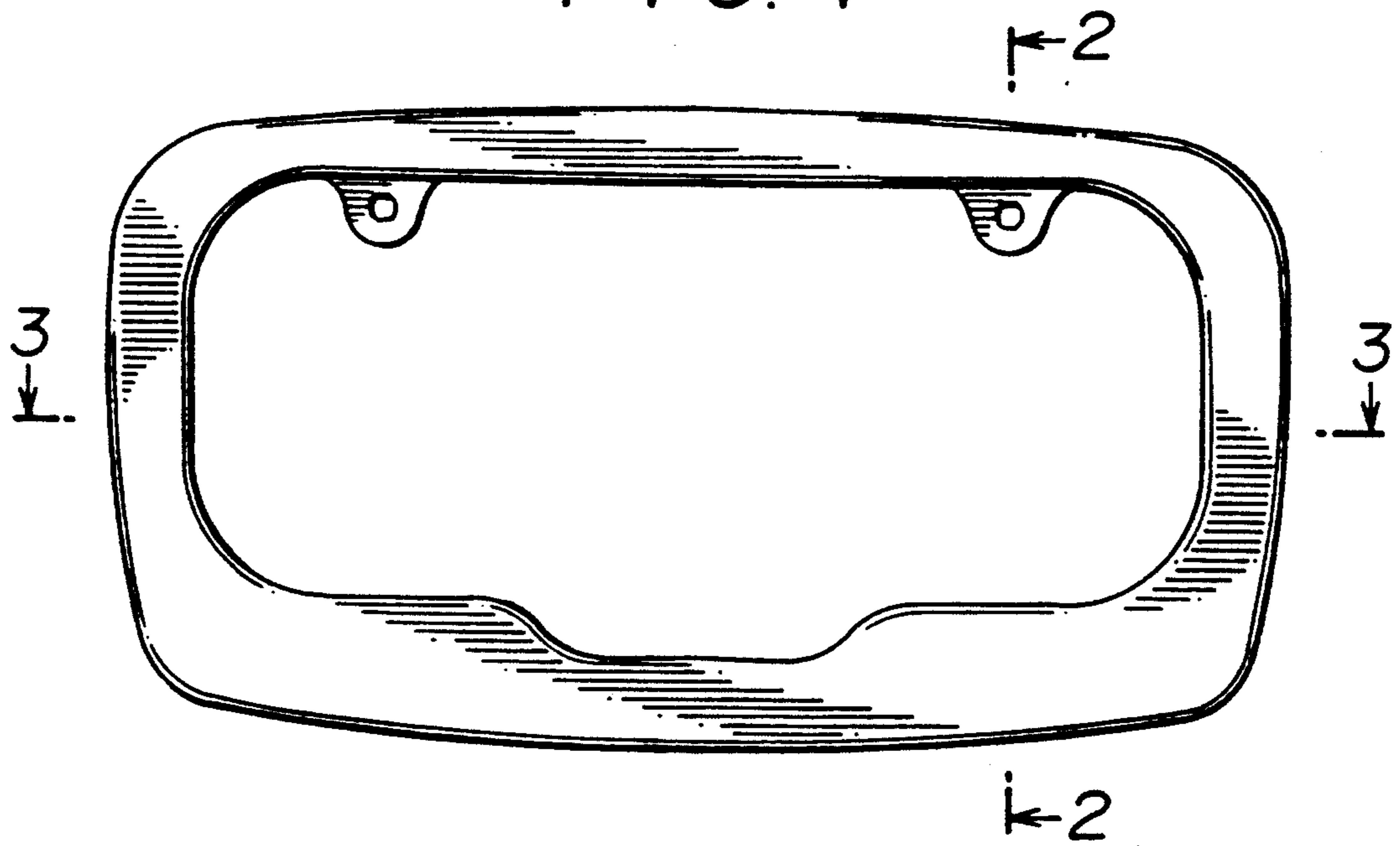


FIG. 2



FIG. 3

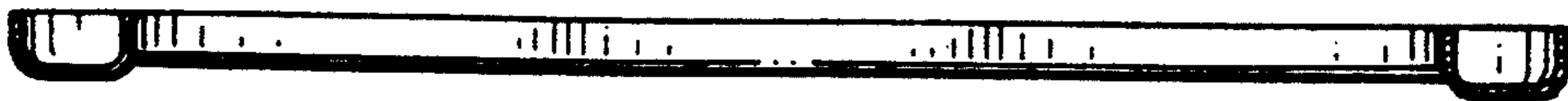


FIG. 4

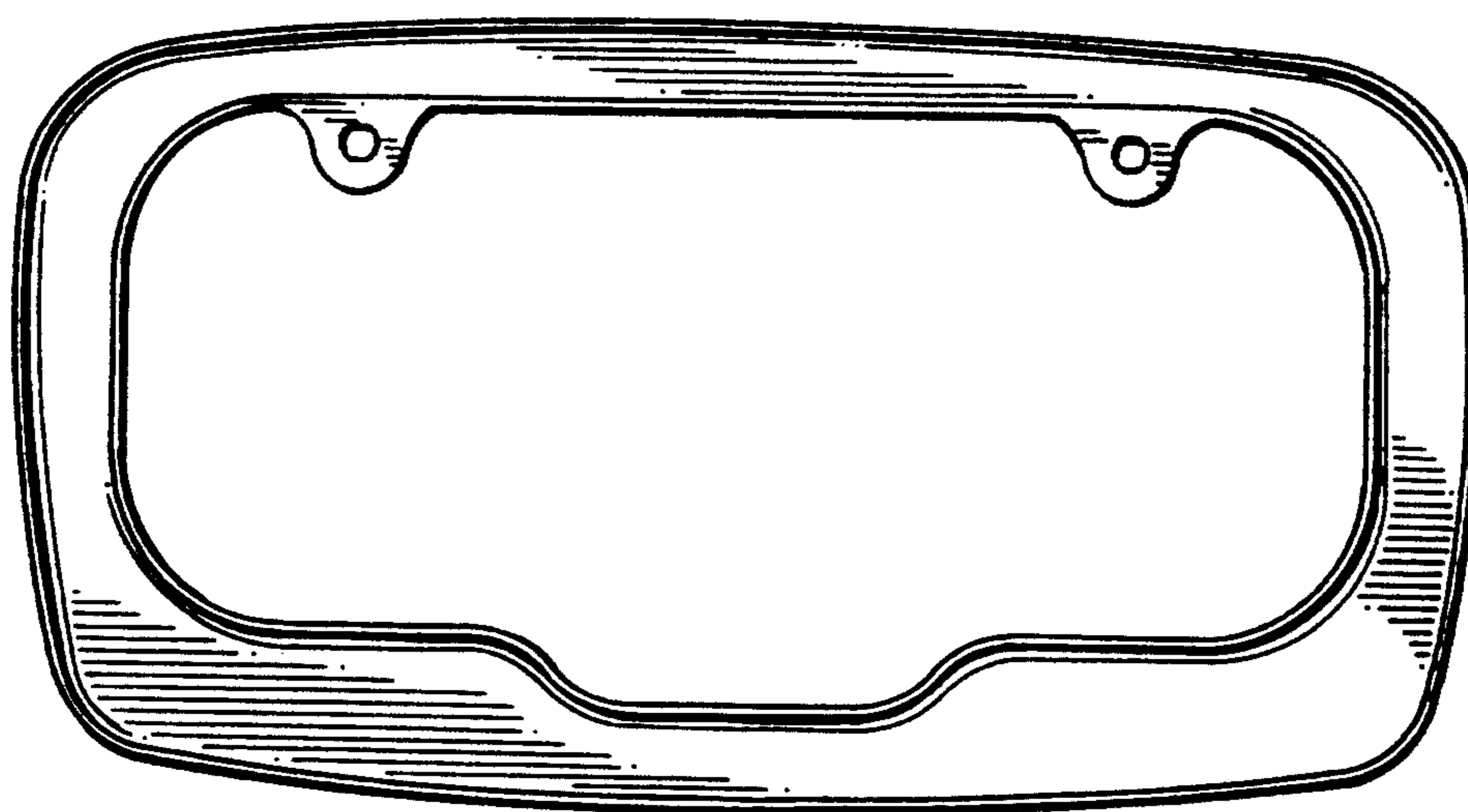


FIG. 5



FIG. 6



FIG. 7

