



US00D348861S

United States Patent [19]

Thomas

[11] Patent Number: **Des. 348,861**

[45] Date of Patent: **** Jul. 19, 1994**

[54] **KICKSTAND ACCESSORY**

[75] Inventor: **Jan B. Thomas**, Hilton Head, S.C.

[73] Assignee: **Janko U.S.A., Inc.**, Hilton Head Island, S.C.

[**] Term: **14 Years**

[21] Appl. No.: **4,138**

[22] Filed: **Jan. 27, 1993**

[52] U.S. Cl. **D12/120**

[58] Field of Search 280/293, 301; D12/120

[56] **References Cited**

U.S. PATENT DOCUMENTS

D. 306,419	3/1990	Merritt	D12/120
677,804	7/1901	Schulte, Jr.	D12/120
1,563,700	12/1925	Frankenstein	248/188.9
2,596,009	5/1952	Connor et al.	248/346
3,955,829	5/1976	Bussler	280/301
3,998,470	12/1976	Houston	280/301
4,457,530	7/1984	Johnson	280/293
4,521,031	6/1985	Huth	280/293
4,625,987	12/1986	Marsh	280/293
4,768,800	9/1988	Johns	280/293
4,770,326	9/1988	Thompson	224/39
4,846,491	7/1989	Caceres	280/301

4,869,453	9/1989	Newman	248/552
4,971,347	11/1990	Cline	280/301

FOREIGN PATENT DOCUMENTS

14727	11/1911	France	.
1256889	2/1961	France	.
302814	2/1937	Italy	.
876471	9/1961	United Kingdom	.

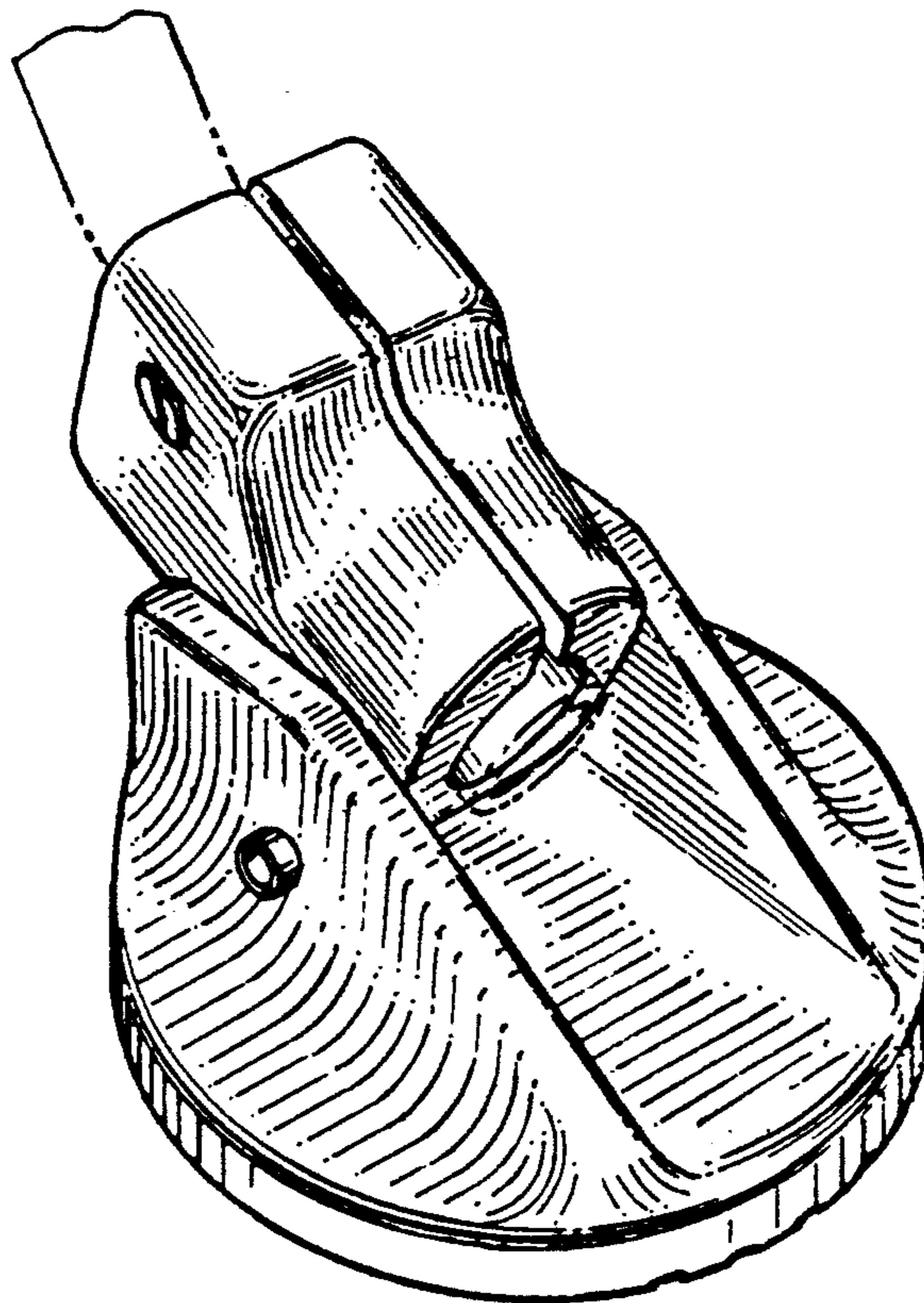
Primary Examiner—Wallace R. Burke
Assistant Examiner—M. Brown
Attorney, Agent, or Firm—McAndrews, Held & Malloy, Ltd.

[57] **CLAIM**

The ornamental design for a kickstand accessory, as shown and described.

DESCRIPTION

FIG. 1 is a top perspective view of a kickstand accessory showing my new design, the broken lines are for illustrative purposes only and form no part of the claimed design;
FIG. 2 is a right side elevational view thereof;
FIG. 3 is a rear elevational view thereof;
FIG. 4 is a left side elevational view thereof;
FIG. 5 is a front elevational view thereof; and,
FIG. 6 is a bottom view thereof.



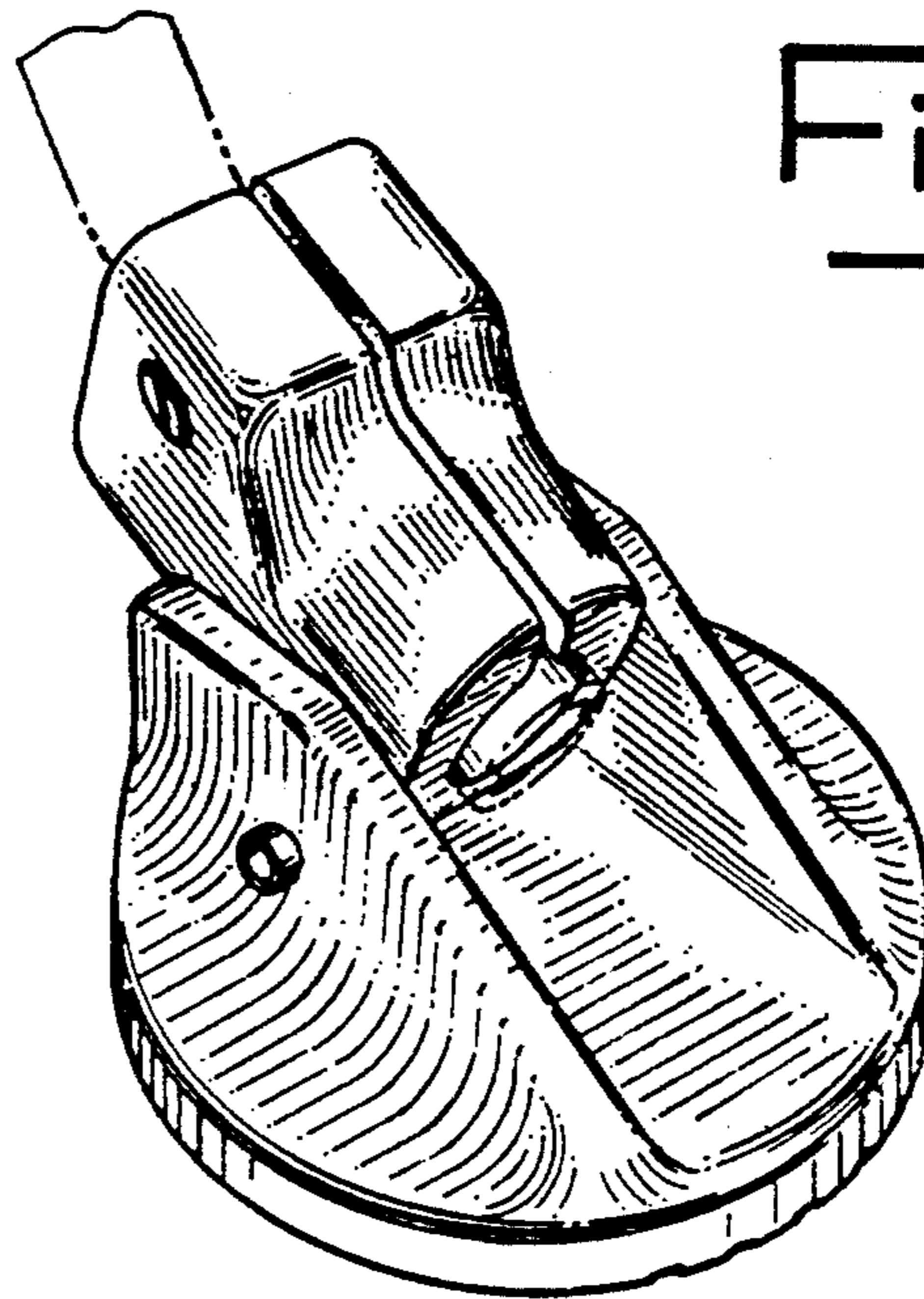


Fig. 1

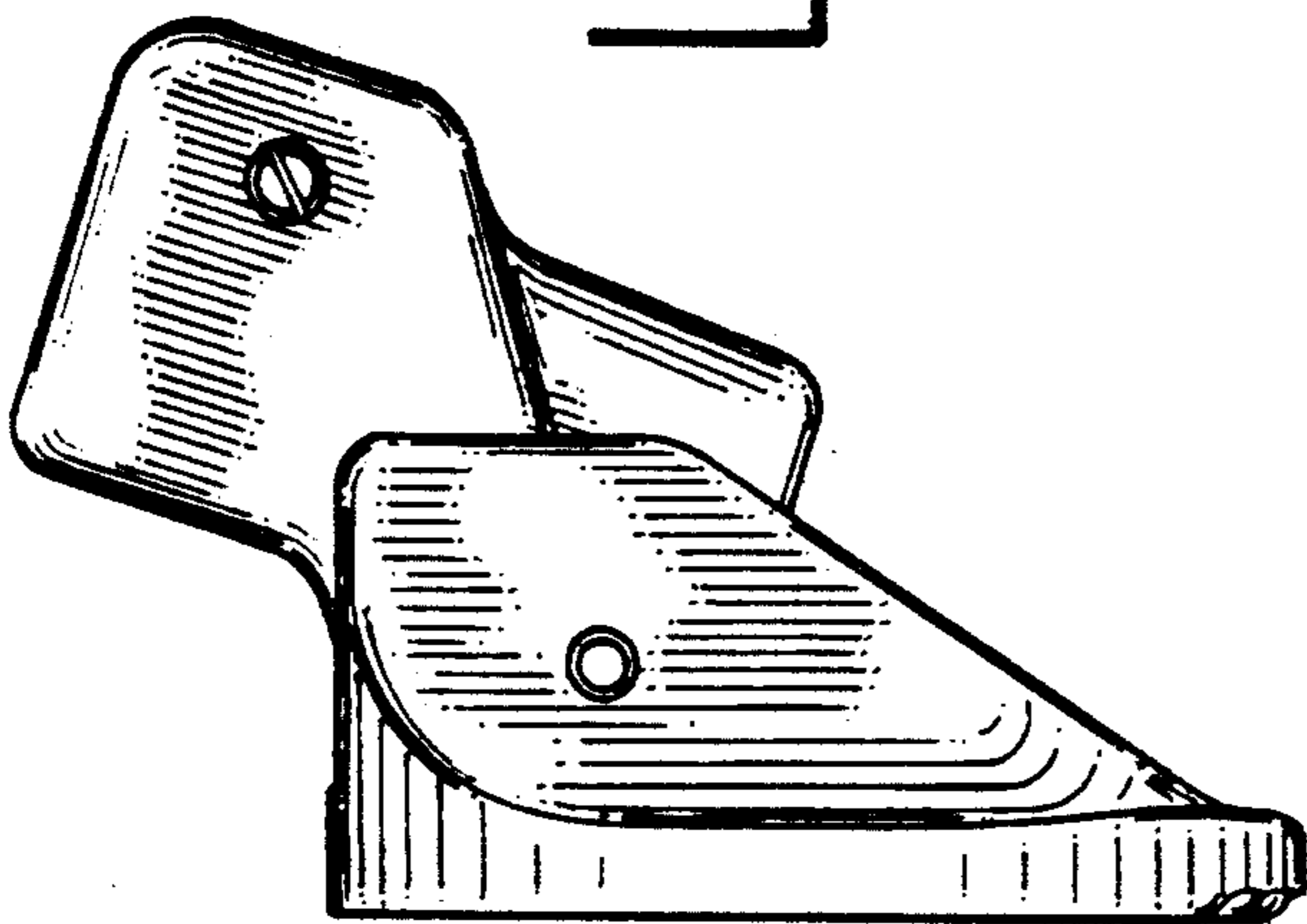


Fig. 2

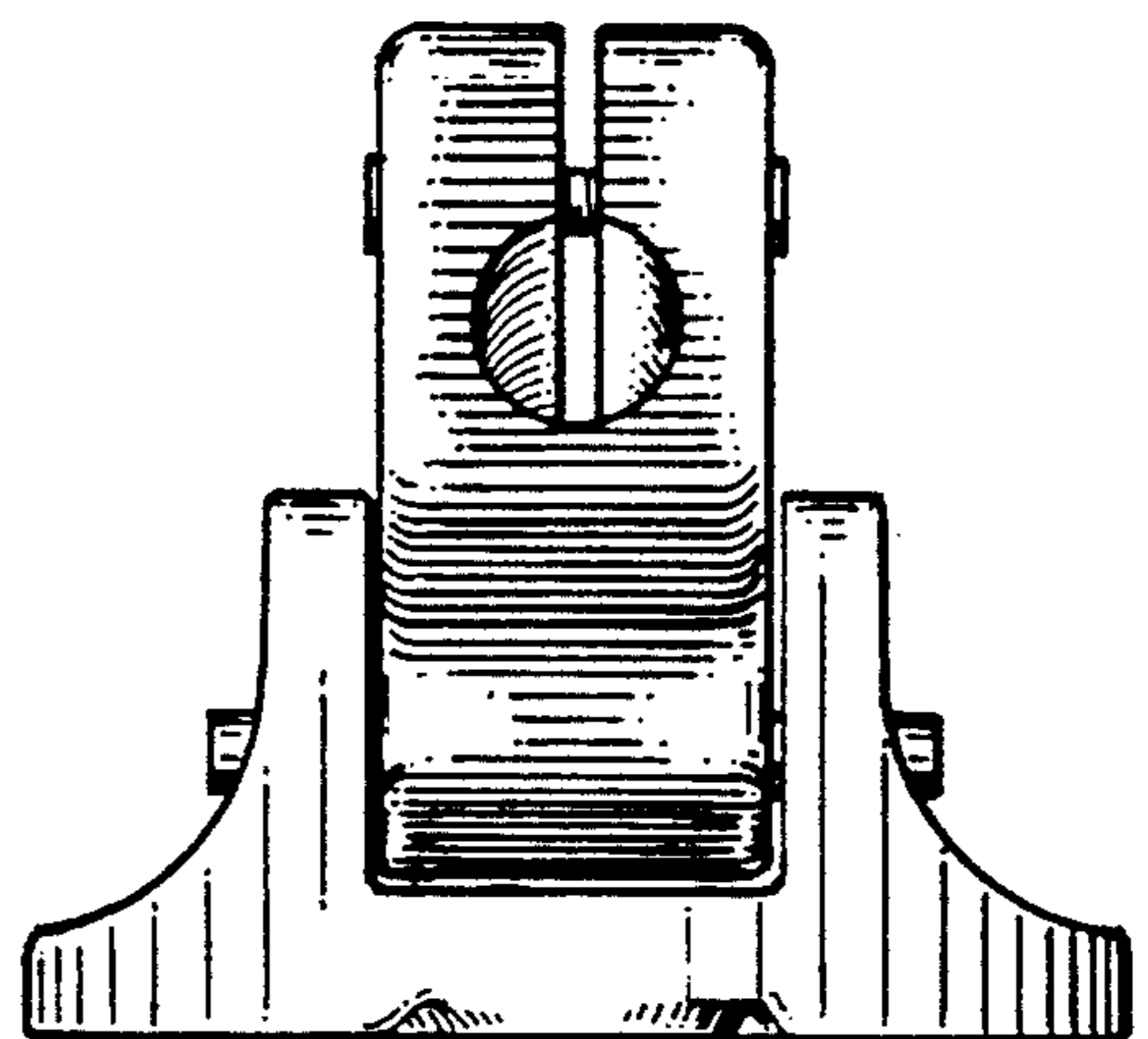


Fig. 3

Fig. 4

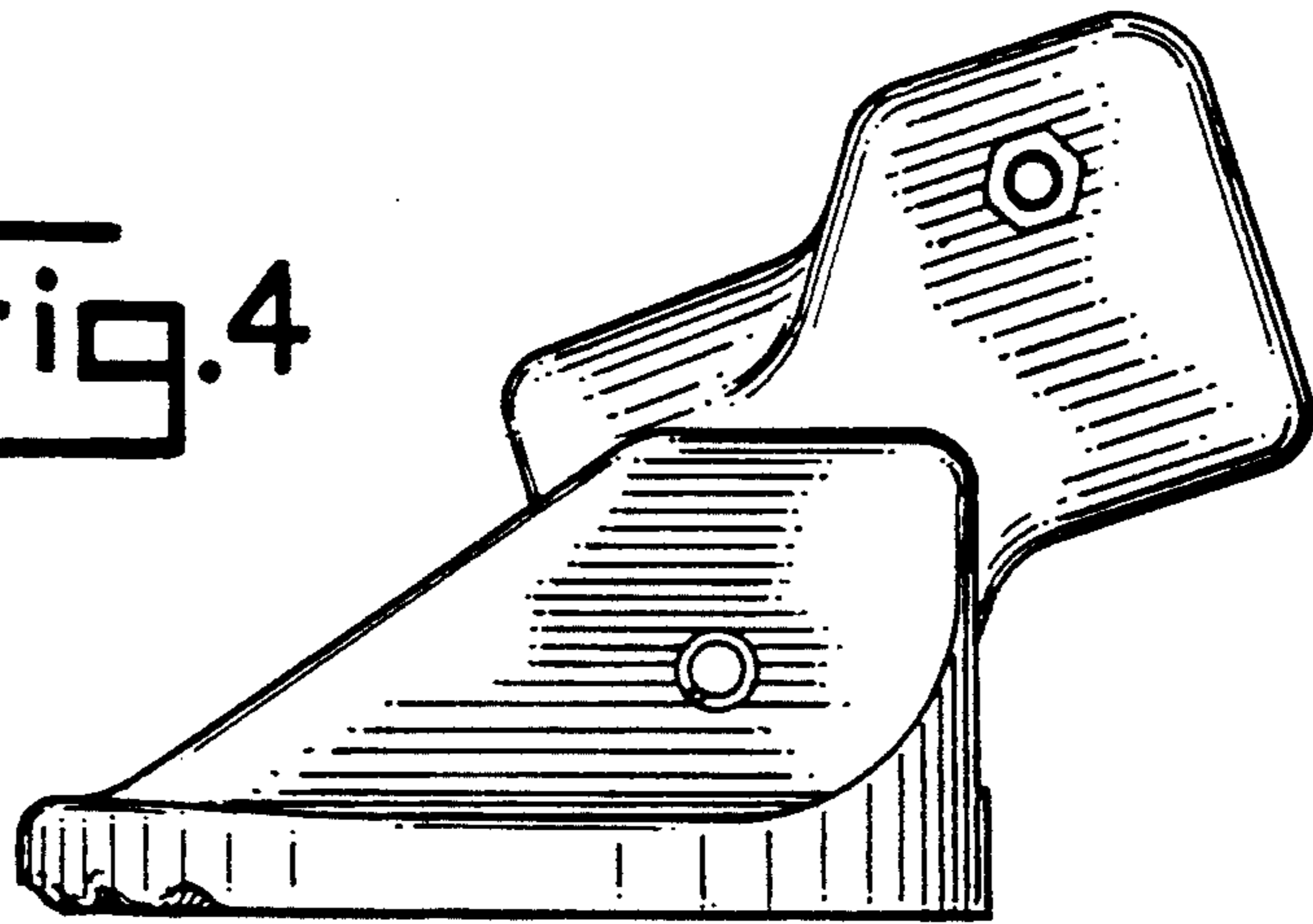


Fig. 5

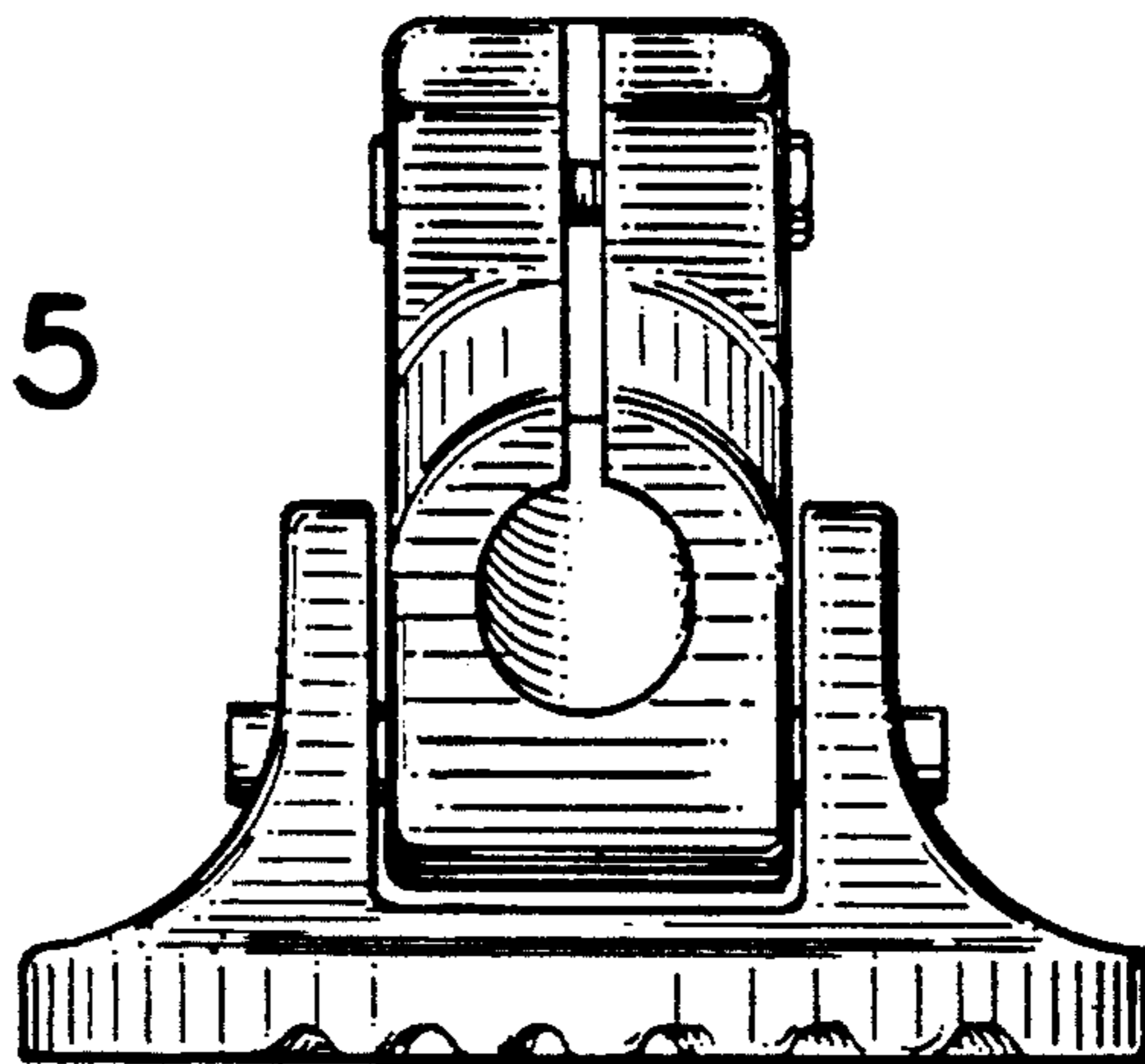


Fig. 6

