



US00D348843S

# United States Patent [19]

[11] Patent Number: Des. 348,843

De Sanctis

[45] Date of Patent: \*\* Jul. 19, 1994

[54] WATCH

[76] Inventor: Fabio De Sanctis, Via Stoppani, 10, 00197 Roma, Italy

[\*\*] Term: 14 Years

[21] Appl. No.: 880,347

[22] Filed: May 8, 1992

### [30] Foreign Application Priority Data

Nov. 8, 1991 [IT] Italy ..... RM910000278

[52] U.S. Cl. .... D10/33; D10/6; D10/18

[58] Field of Search ..... 368/280-282, 368/285, 276-277; D10/1-40, 122-132

### [56] References Cited

#### U.S. PATENT DOCUMENTS

- D. 115,759 7/1939 Davenport ..... D10/33
- D. 121,633 7/1940 Forrestal ..... D10/18 X
- D. 268,169 3/1983 De Christopher ..... D10/46.1
- D. 269,414 6/1983 Sugano ..... D10/18

### OTHER PUBLICATIONS

*Jeweler's-Circular-Keystone*, Aug. 1954—Facing, p. 145—Clocks at middle-left and bottom-right.

*Jeweler's Circular-Keystone*, Aug. 56—p. 64 D—Clocks at top and bottom-right.

Primary Examiner—Nelson C. Holtje  
Attorney, Agent, or Firm—Robert S. Lipton

### [57] CLAIM

The ornamental design for a watch, as shown and described.

### DESCRIPTION

FIG. 1 is a perspective view of a watch shown as closed showing my new design;

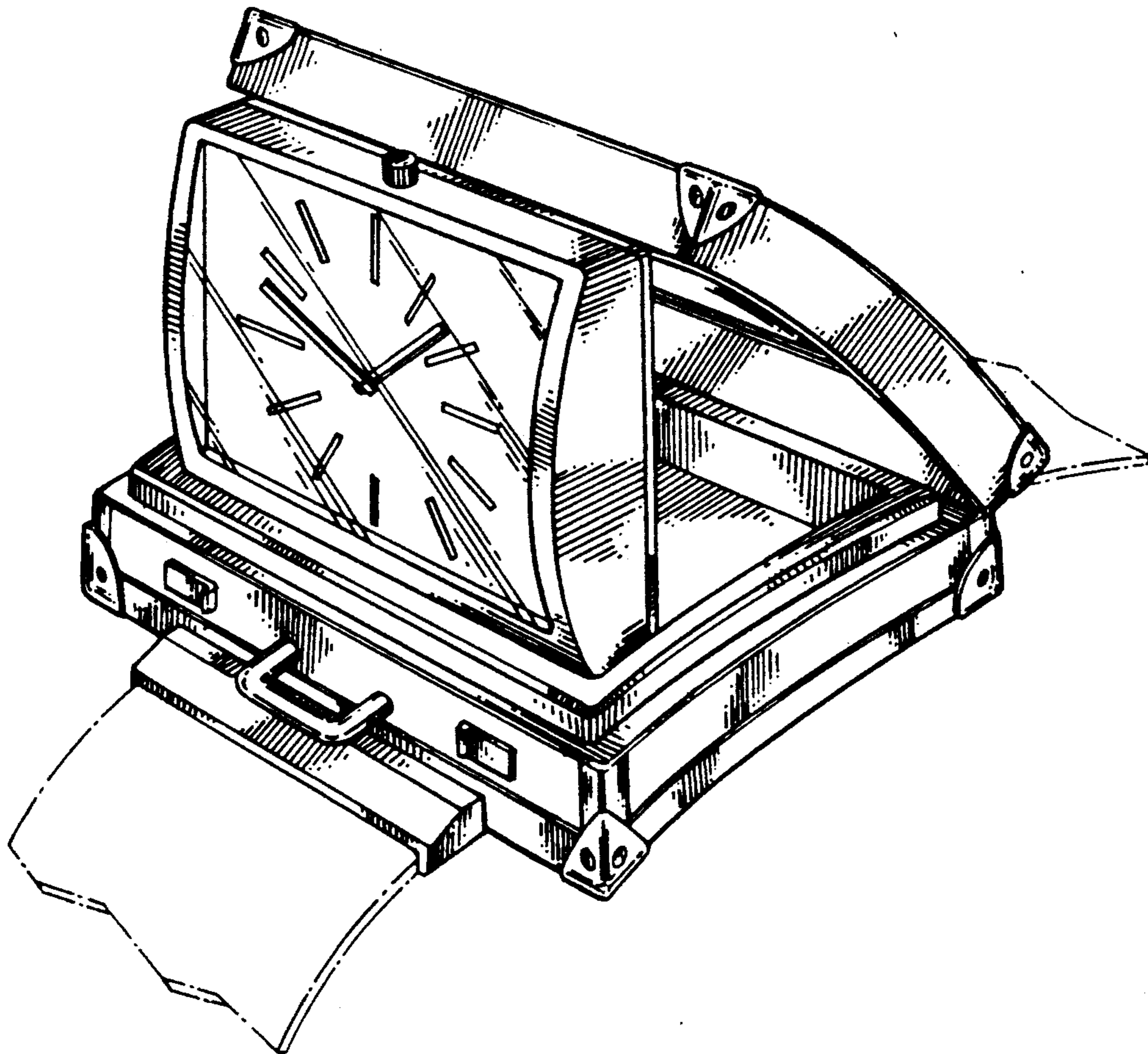
FIG. 2 is a side elevation thereof shown as closed;

FIG. 3 is a back view of thereof shown as closed;

FIG. 4 is the perspective view thereof shown as open; and,

FIG. 5 is a perspective view thereof shown locked in the upright position.

The bottom of the watch is similar to the top of FIG. 1 but with the band holders projecting therefrom; and the broken line showings of band portions are environmental only and form no part of the claimed design.



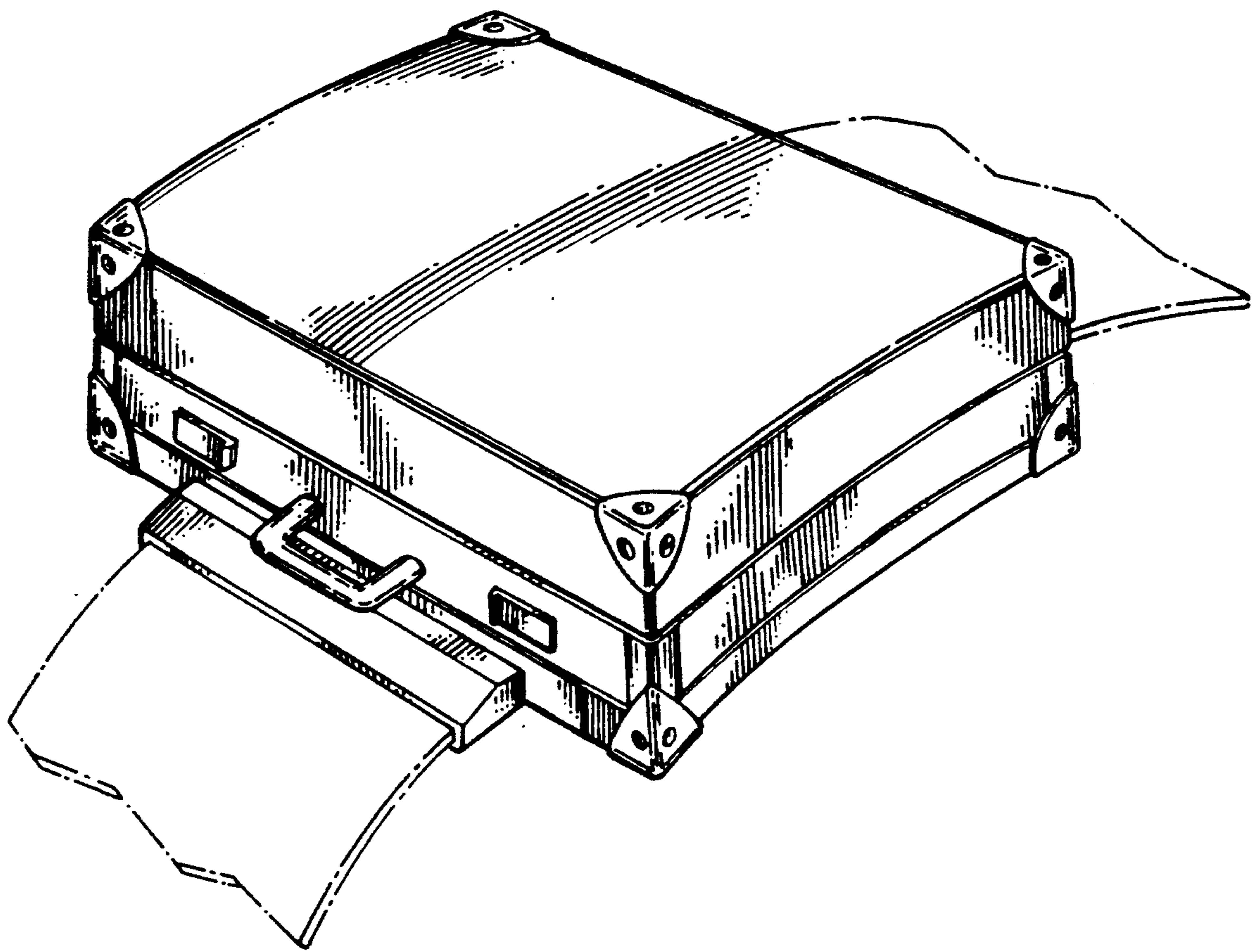


FIG. 1

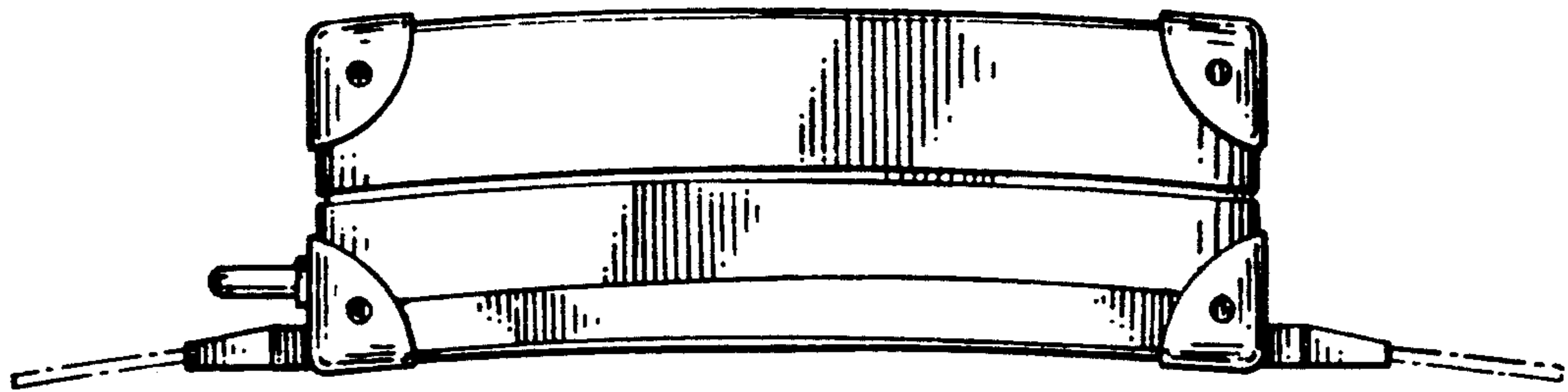


FIG. 2

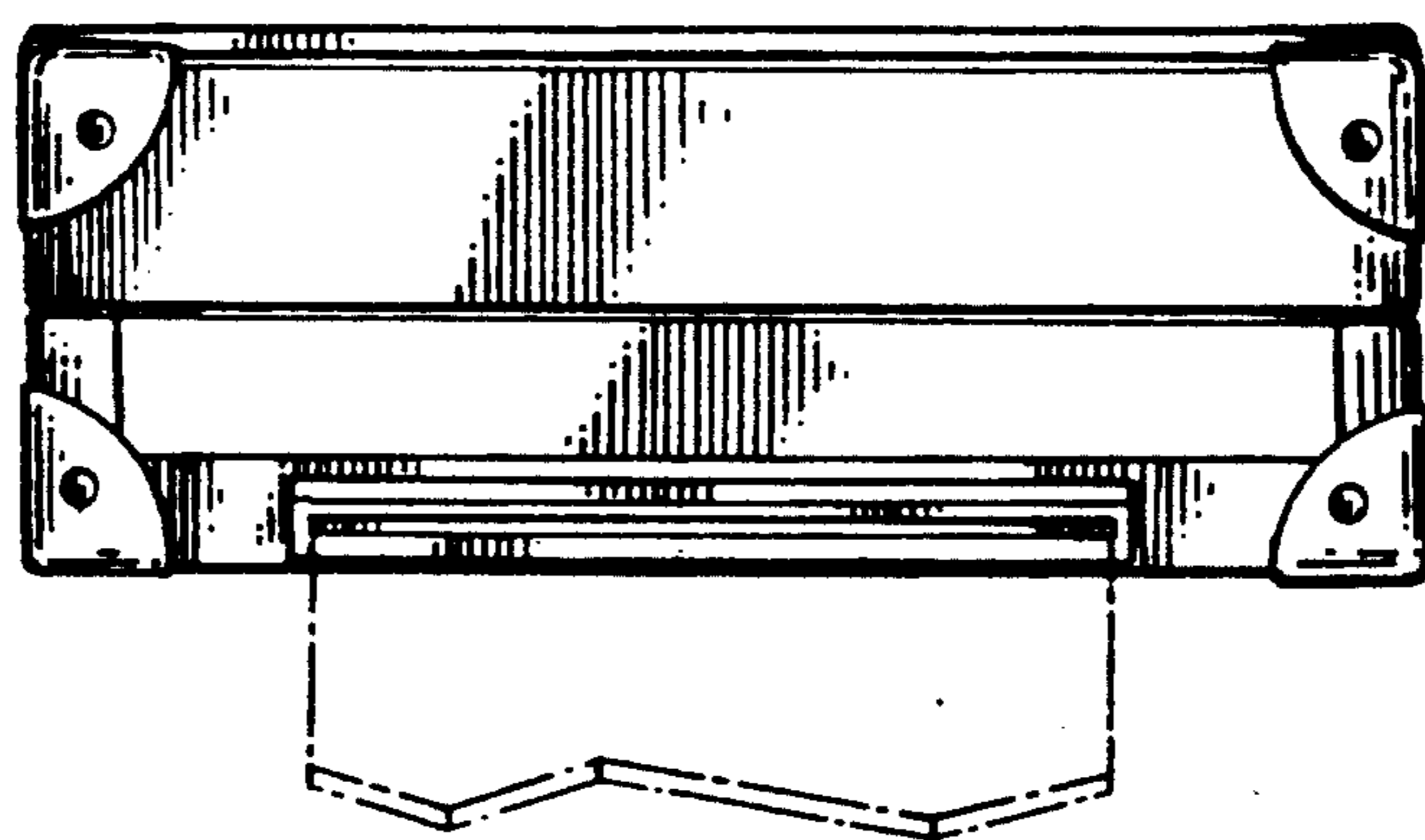


FIG. 3

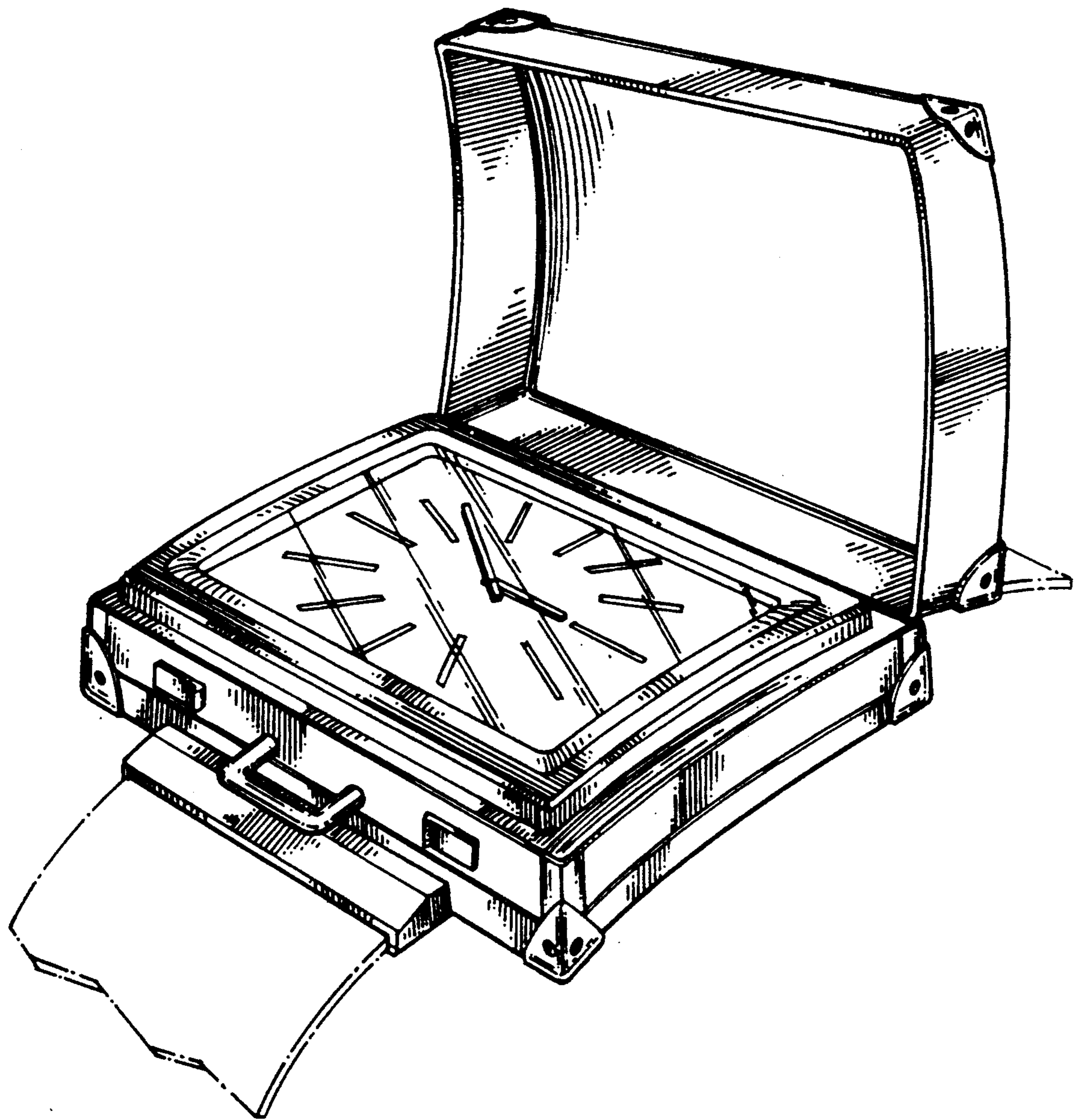


FIG. 4

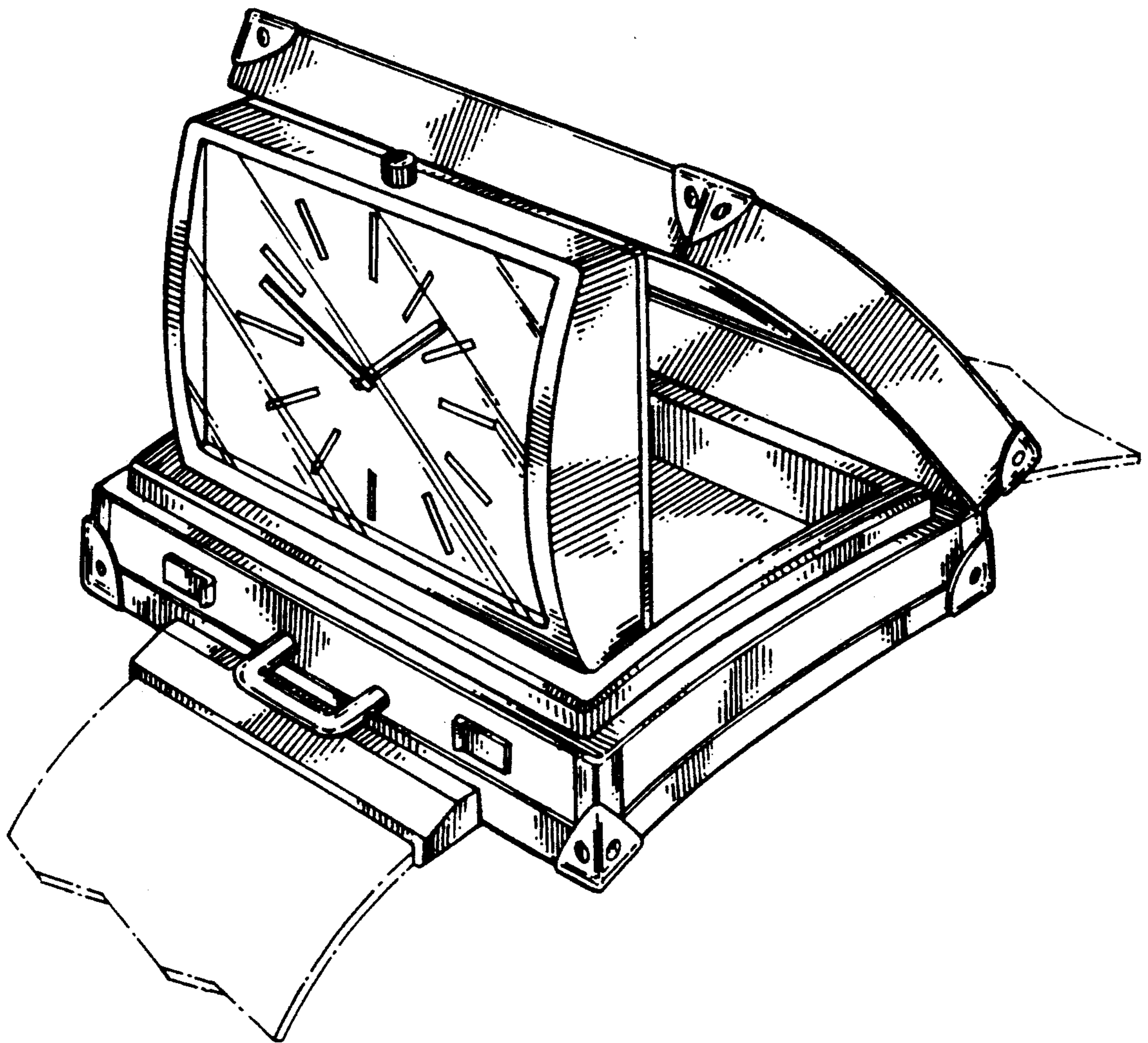


FIG. 5