



US00D348837S

# United States Patent [19]

[11] Patent Number: **Des. 348,837**

Feen

[45] Date of Patent: **\*\* Jul. 19, 1994**

[54] BOTTLE

D. 192,887 5/1962 Denhoff et al. .... D9/502  
 D. 194,811 3/1963 Worthington .... D9/502  
 D. 212,276 9/1968 Lodding .... D9/557 X

[75] Inventor: **Stuart H. Feen, Libertyville, Ill.**

[73] Assignee: **Plastic Bottle Corporation, Libertyville, Ill.**

*Primary Examiner*—Bernard Ansher  
*Assistant Examiner*—Lucy Lieberman  
*Attorney, Agent, or Firm*—Wood, Phillips, VanSanten,  
 Hoffman & Ertel

[\*\*] Term: **14 Years**

[21] Appl. No.: **3,733**

### [57] CLAIM

[22] Filed: **Jan. 19, 1993**

The ornamental design for a bottle, as shown and described.

[52] U.S. Cl. .... **D9/502; D9/539; D9/557**

[58] Field of Search ..... **D9/502, 557, 537, 538, D9/539, 556; 215/1 R, 1 C**

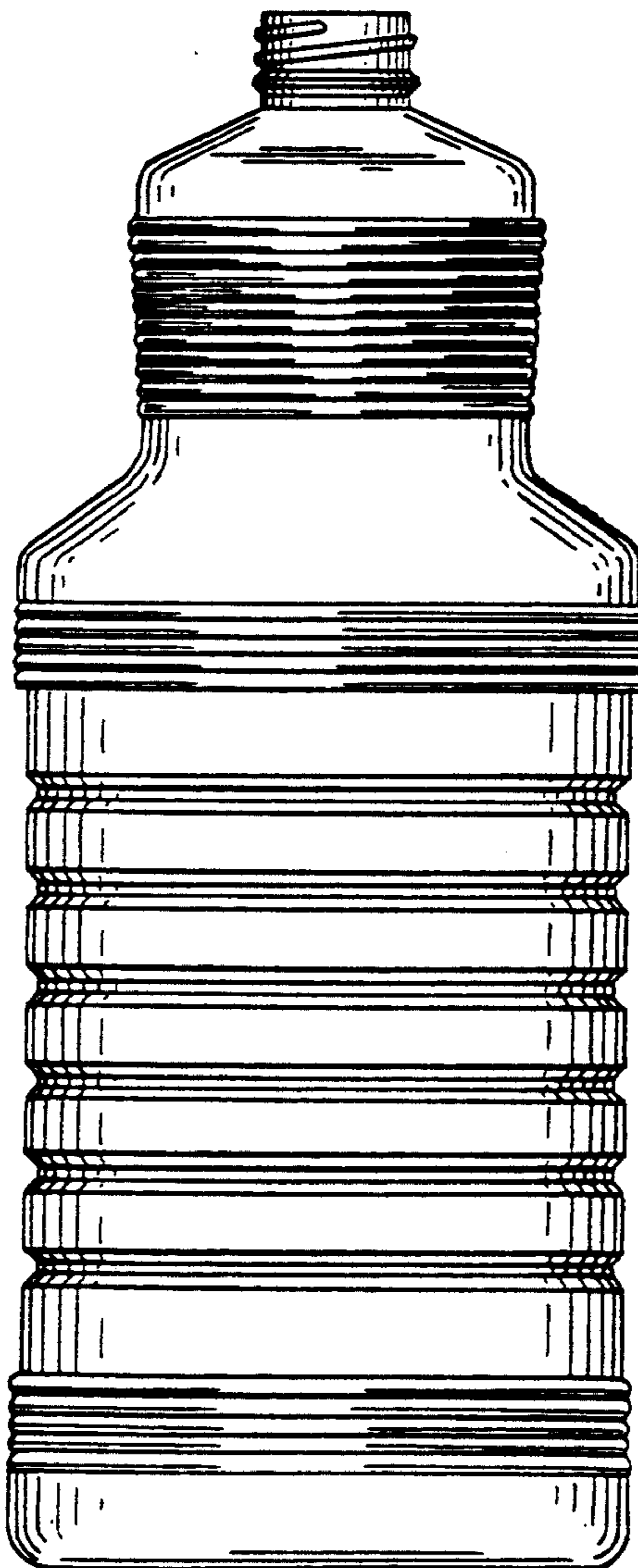
### DESCRIPTION

### [56] References Cited

FIG. 1 is a front elevational view of a bottle showing my new design;  
 FIG. 2 is a left side elevational view thereof;  
 FIG. 3 is a right side elevational view thereof;  
 FIG. 4 is a rear elevational view thereof;  
 FIG. 5 is a top plan view thereof; and,  
 FIG. 6 is a bottom plan view thereof.

### U.S. PATENT DOCUMENTS

D. 185,881 8/1959 Fuerst ..... D9/502  
 D. 192,827 5/1962 Denhoff et al. .... D9/502



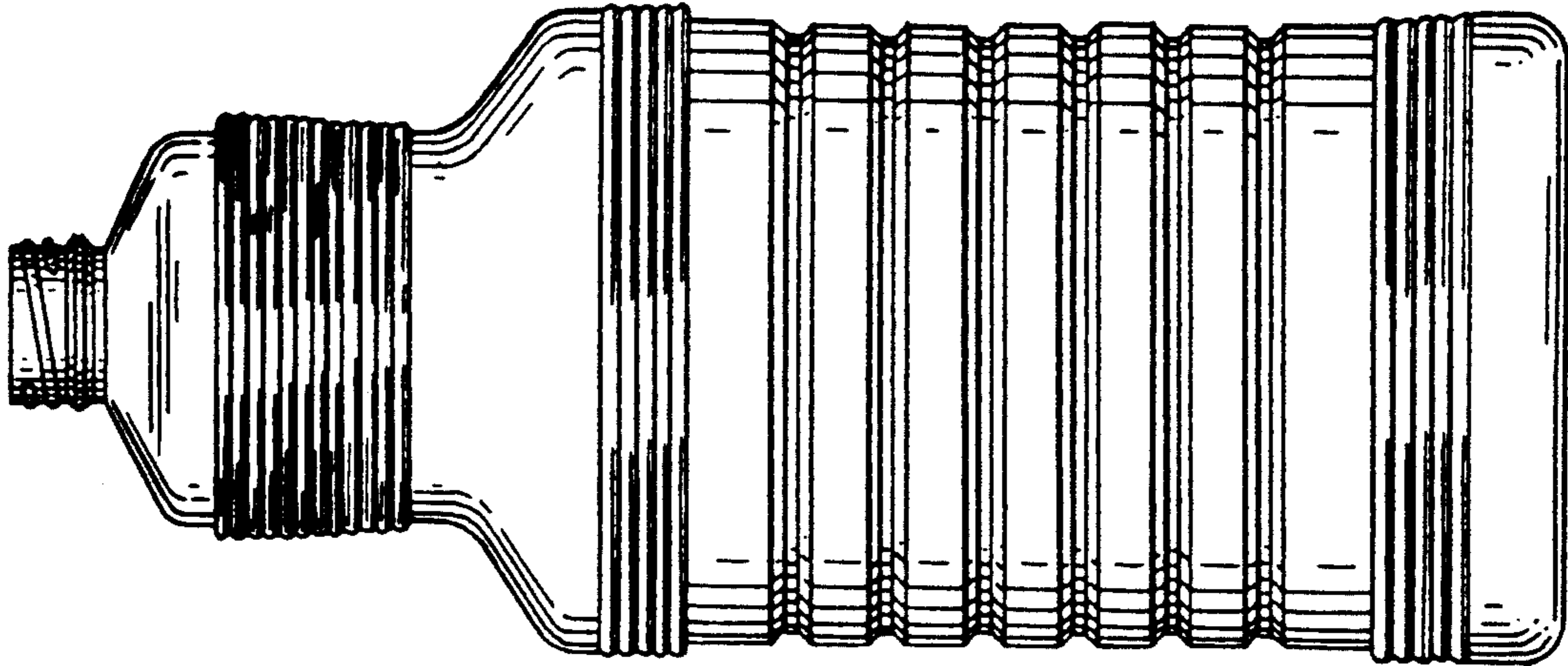


FIG. 3

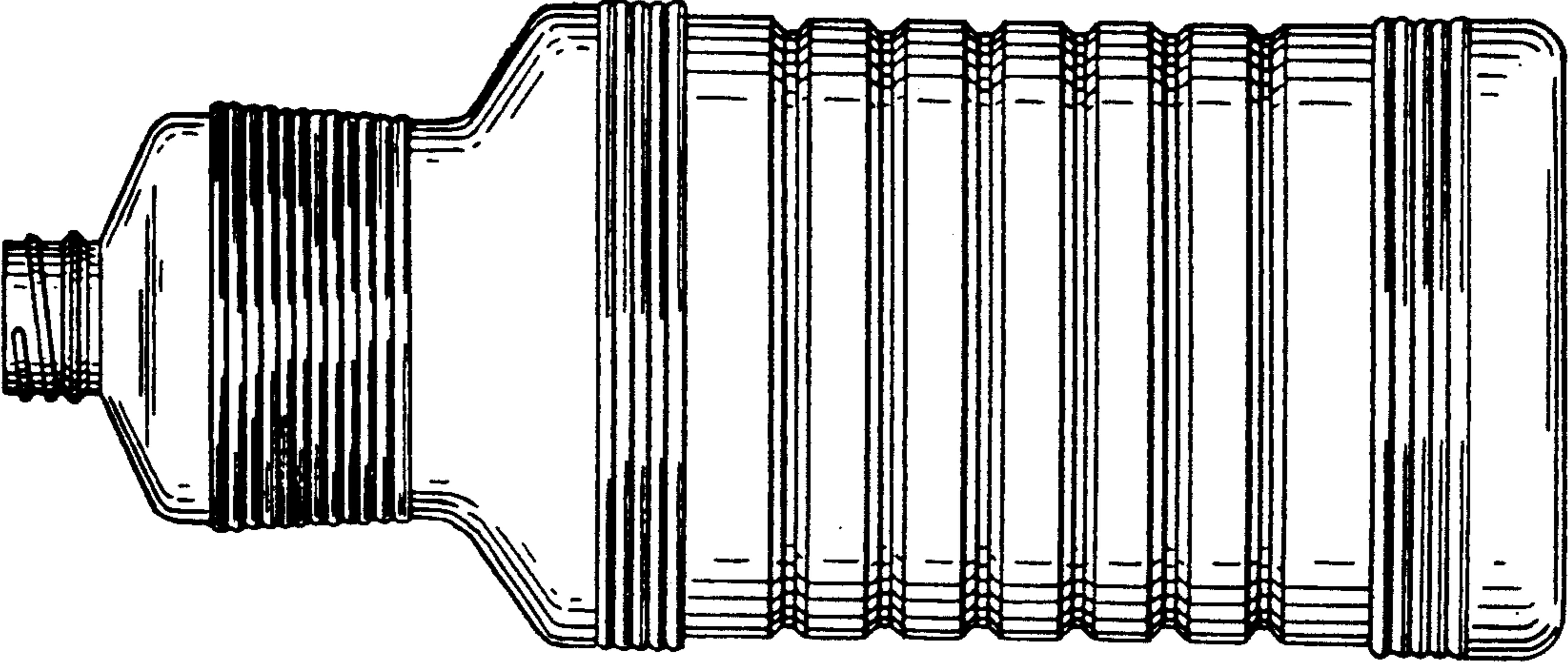


FIG. 1

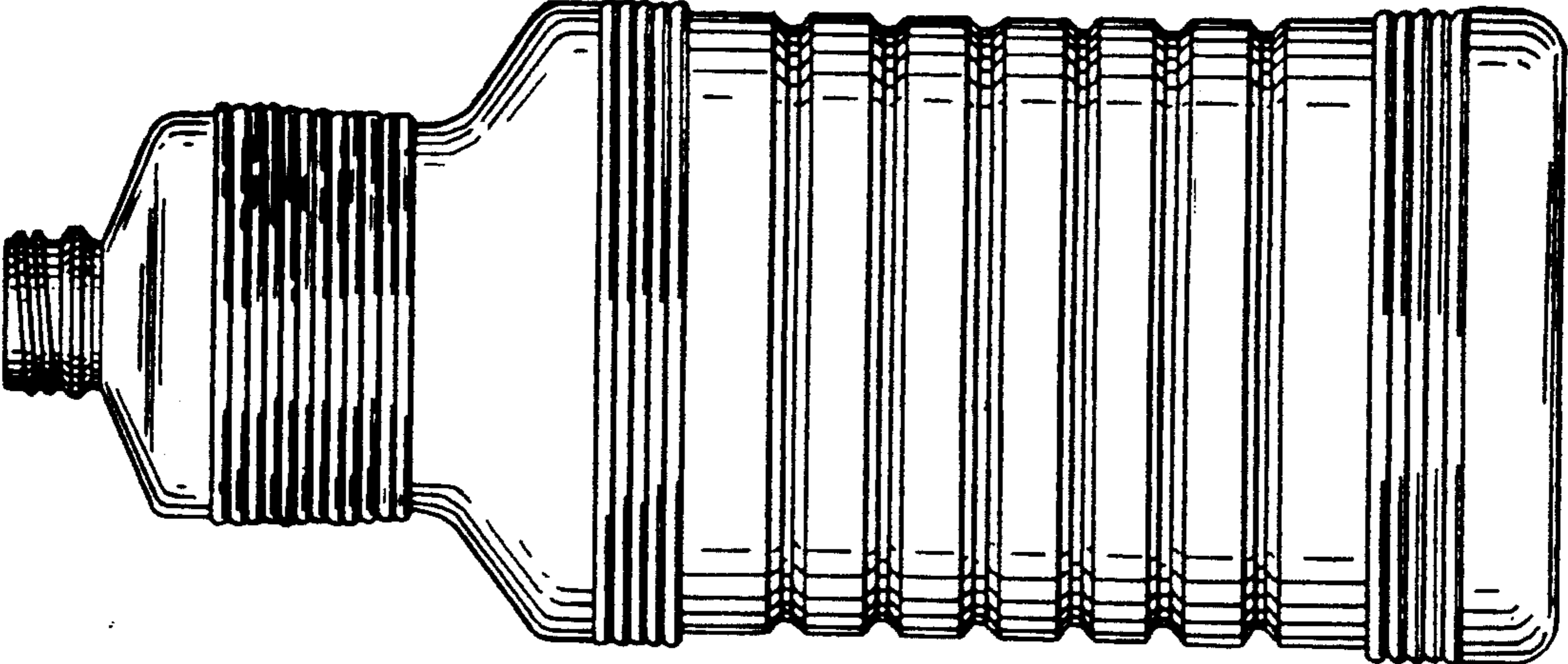


FIG. 2

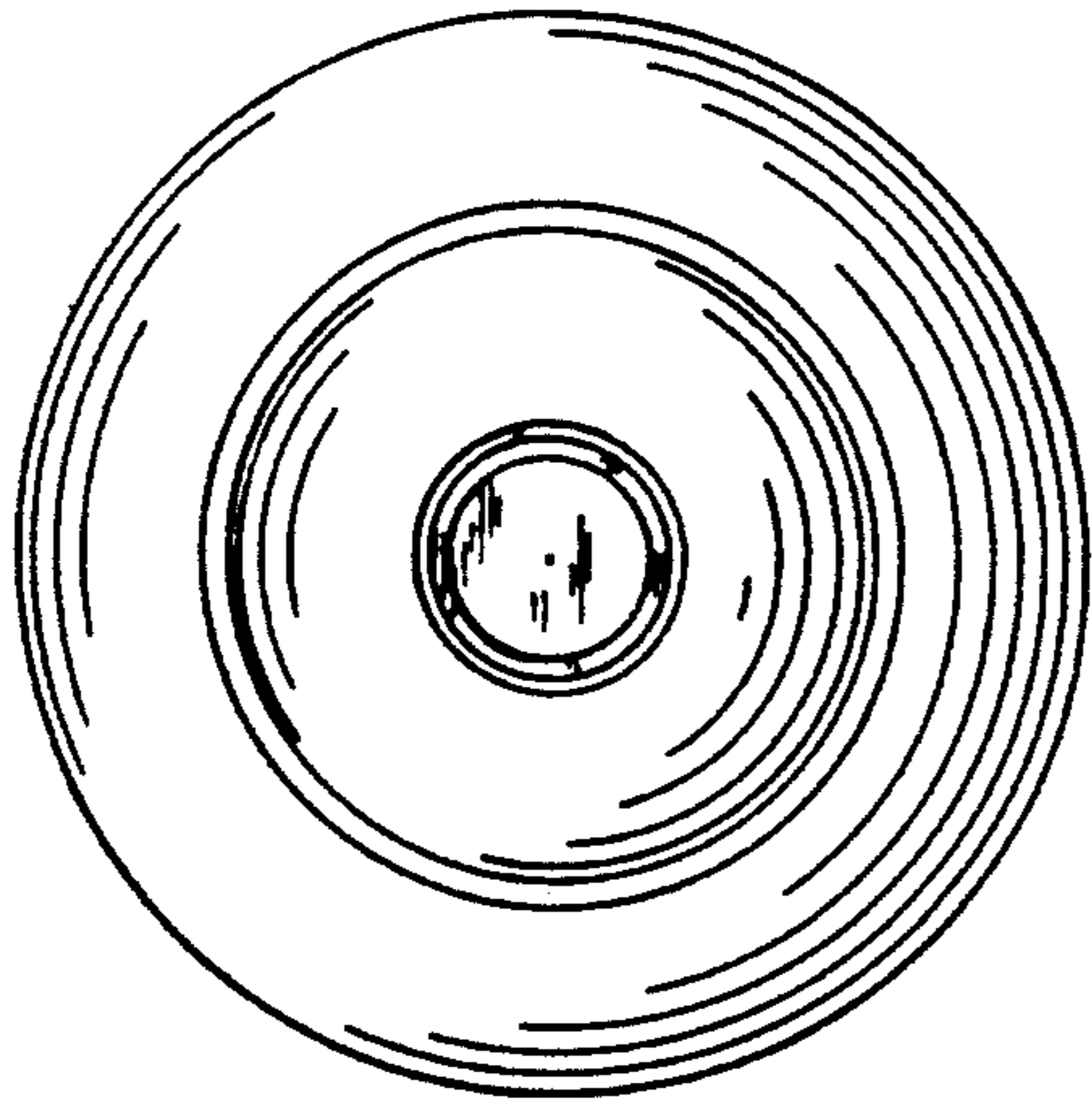


FIG. 5

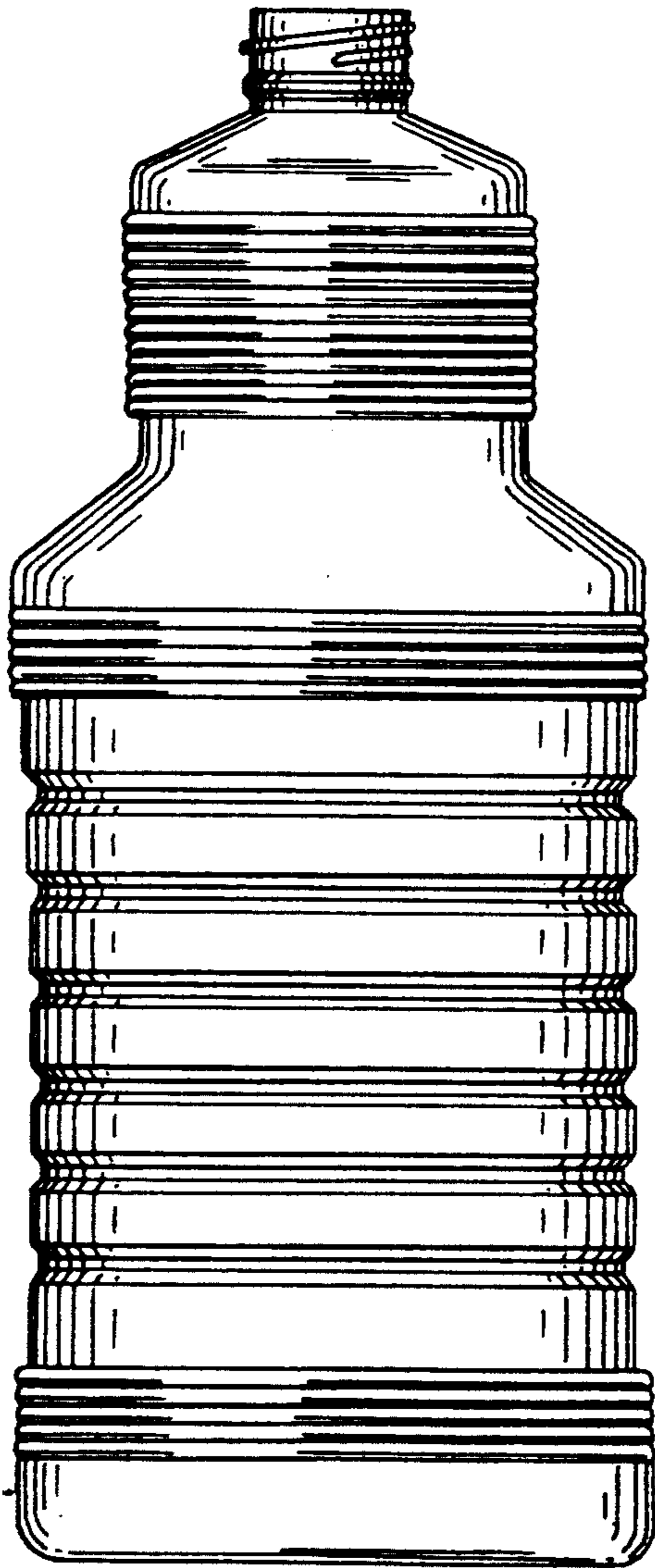


FIG. 4

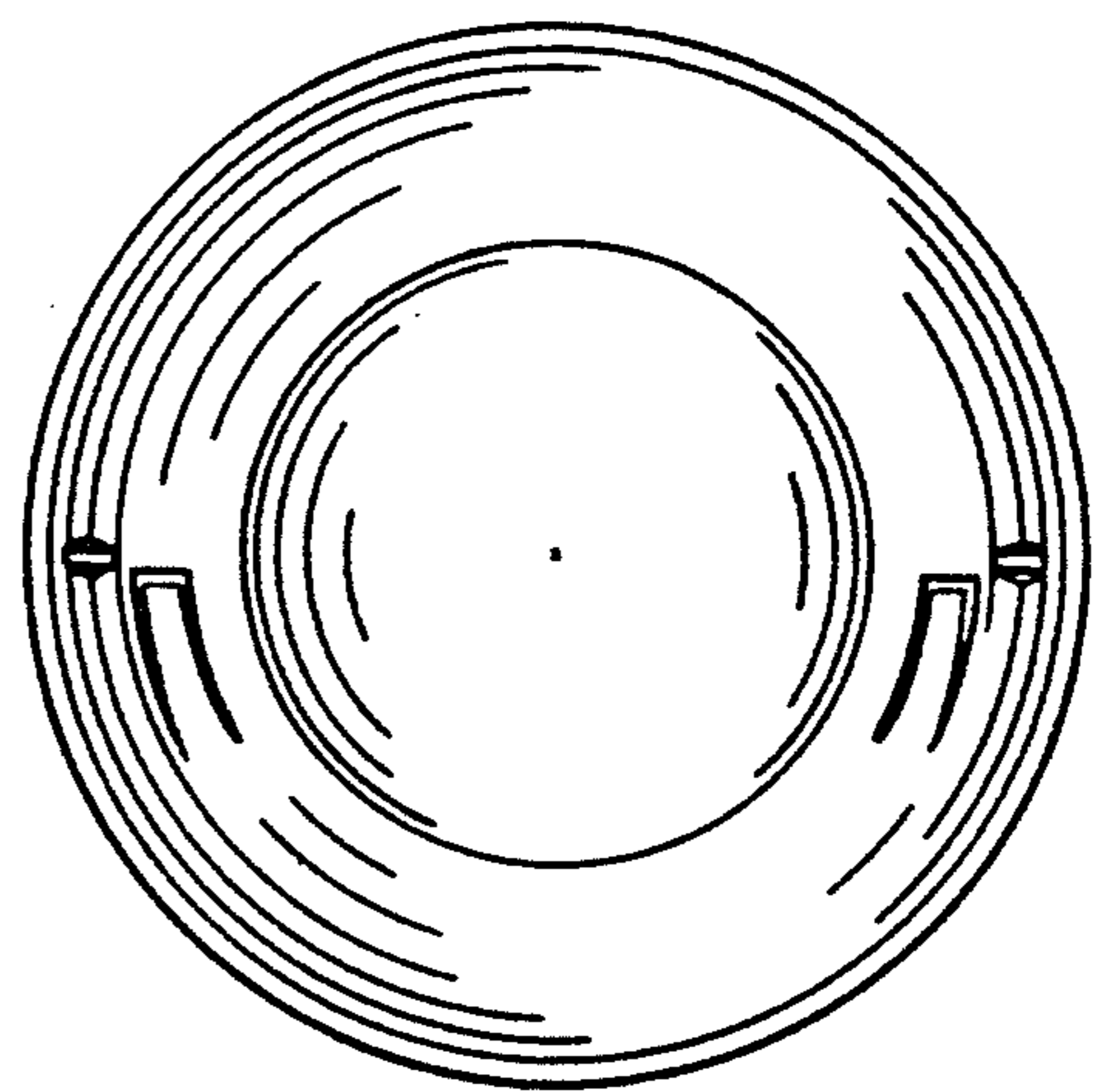


FIG. 6