



US00D348836S

United States Patent [19]

[11] Patent Number: **Des. 348,836**

McCallum et al.

[45] Date of Patent: **** Jul. 19, 1994**

[54] **TRANSPORTATION SAFETY RING FOR CYLINDRICAL CONTAINERS**

D. 315,309	3/1991	Baughman	D9/434 X
D. 321,325	11/1991	Petrus	D9/435
D. 338,621	8/1993	Balson	D9/434
3,809,284	5/1974	Churan	D9/443 X
4,969,570	11/1990	Harvey, Sr.	D9/434 X

[75] Inventors: **Duncan J. McCallum, Hinsdale; John P. Williams, Geneva; Robert C. Jack, Schaumburg, all of Ill.**

Primary Examiner—Alan P. Douglas
Assistant Examiner—Robert M. Spear
Attorney, Agent, or Firm—McCaleb, Lucas & Brugman

[73] Assignee: **Armstrong Containers, Inc., Westchester, Ill.**

[**] Term: **14 Years**

[57] **CLAIM**

[21] Appl. No.: **711,433**

The ornamental design for a transportation safety ring for cylindrical containers, as shown and described.

[22] Filed: **Jun. 6, 1991**

DESCRIPTION

[52] U.S. Cl. **D9/456; D9/434**

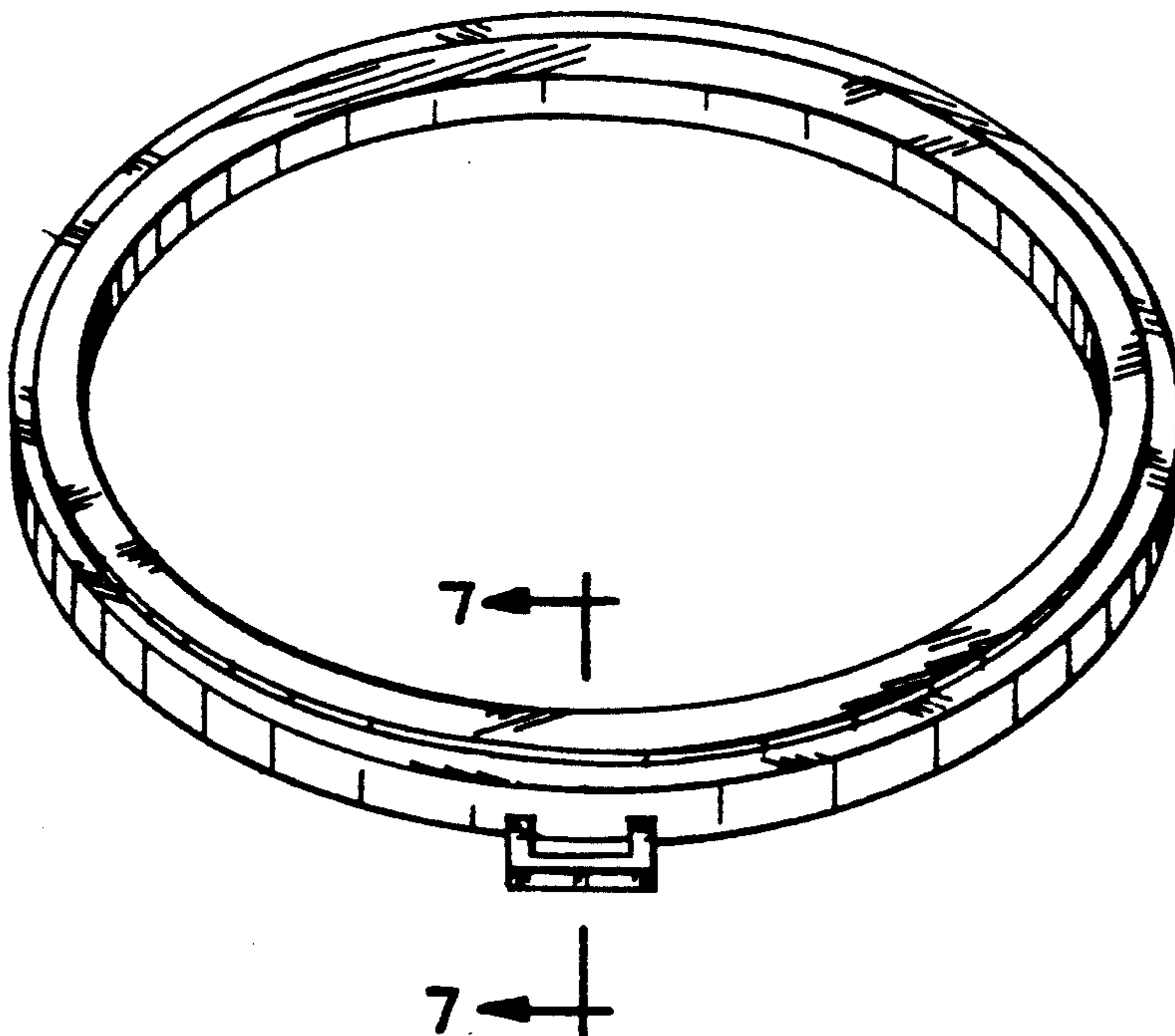
[58] Field of Search **D9/434-440, D9/443-445, 447-449, 451-456, 499; 215/200; 220/259, 270, 276, 306, 352; 229/1.5 B; D17/22**

FIG. 1 is a perspective view of a transportation safety ring embodying the ornamental design of this invention; FIG. 2 is a top plan view of the ring illustrated in FIG. 1; FIG. 3 is a bottom plan view thereof; FIG. 4 is a front elevation thereof; FIG. 5 is a side elevation thereof; FIG. 6 is a rear elevation thereof; and, FIG. 7 is a cross sectional view taken substantially along vantage line 7-7 of FIG. 1 and looking in the direction of the arrows thereon.

[56] **References Cited**

U.S. PATENT DOCUMENTS

D. 267,494	1/1983	Hardy	D17/22
D. 270,620	9/1983	Owens	D9/447
D. 285,778	9/1986	Smith	D9/434
D. 286,508	11/1986	Tilden	D9/435



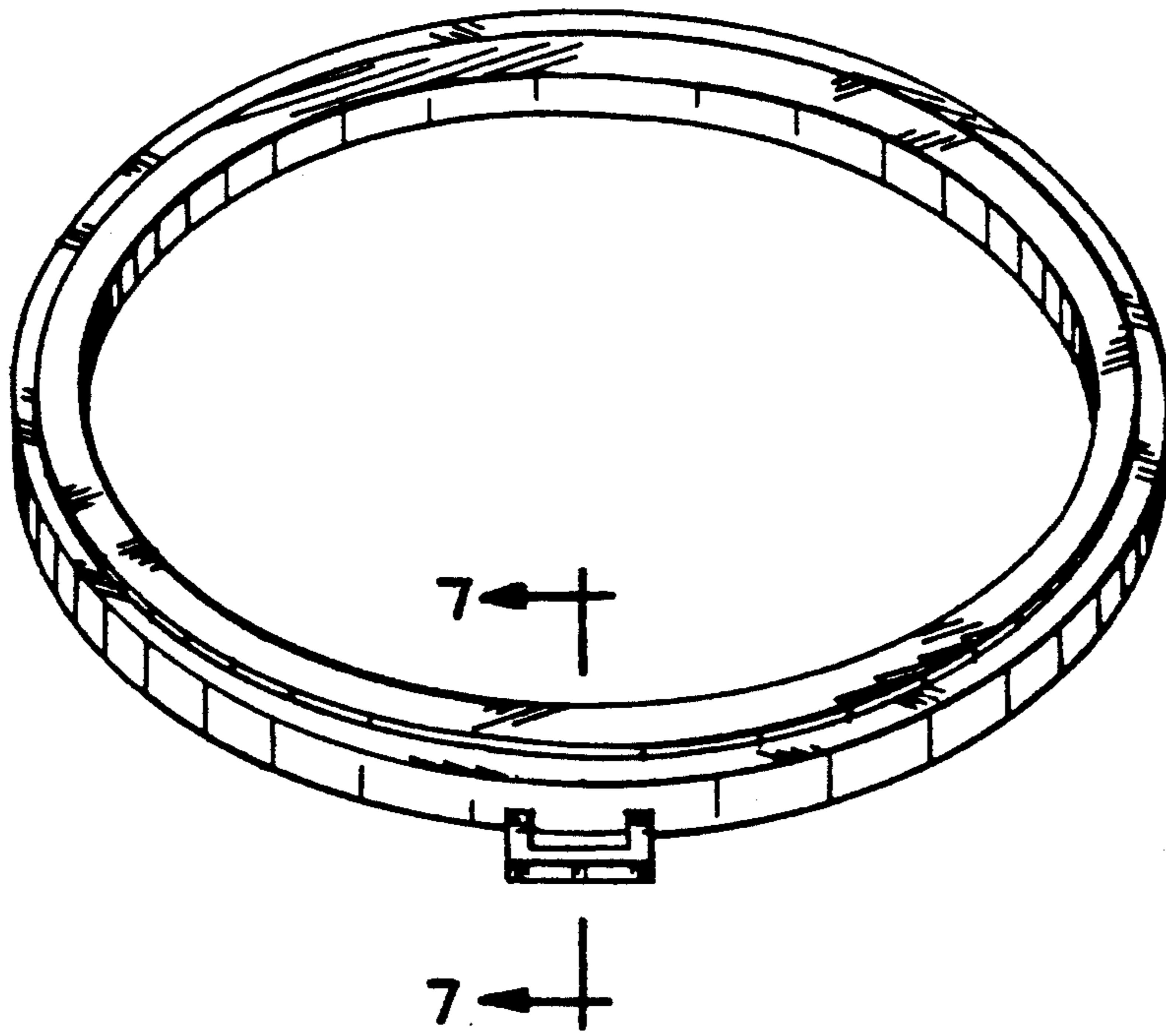


FIG. 1

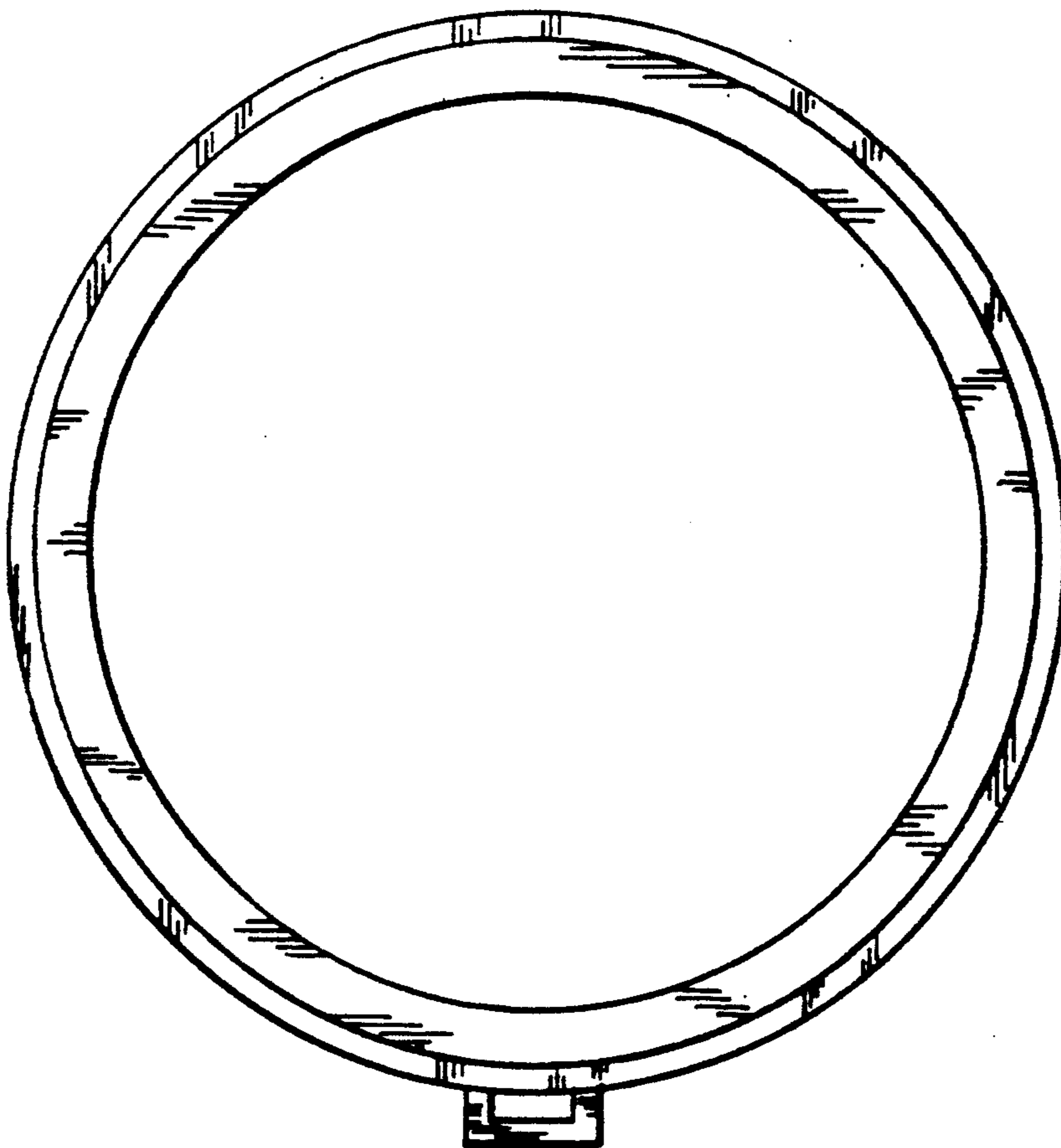


FIG. 2

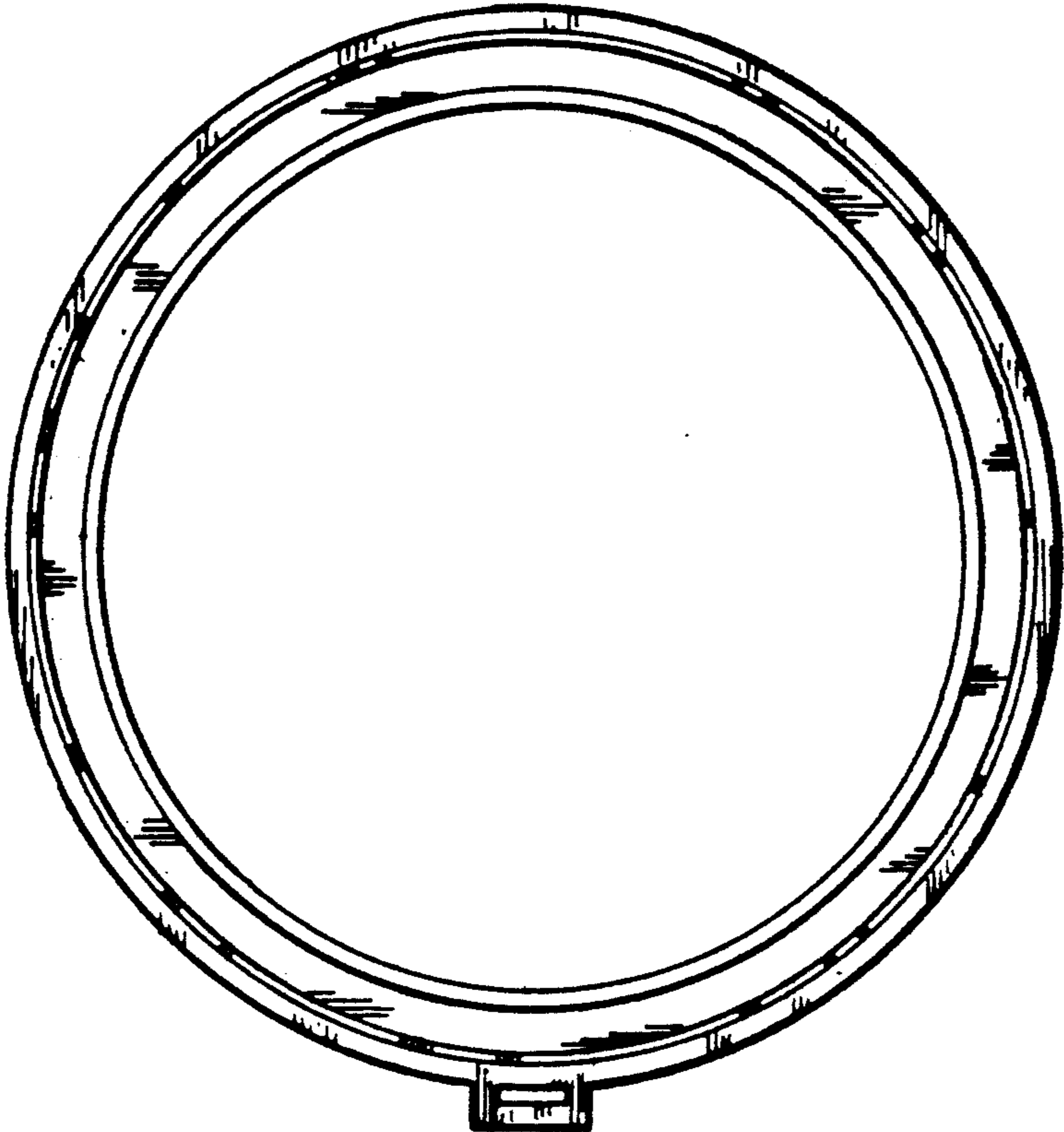


FIG. 3

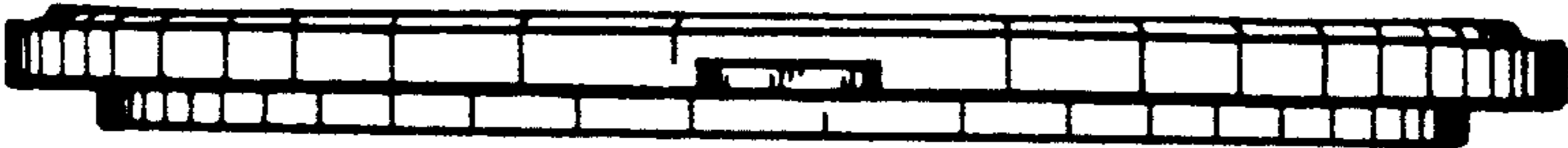


FIG. 4

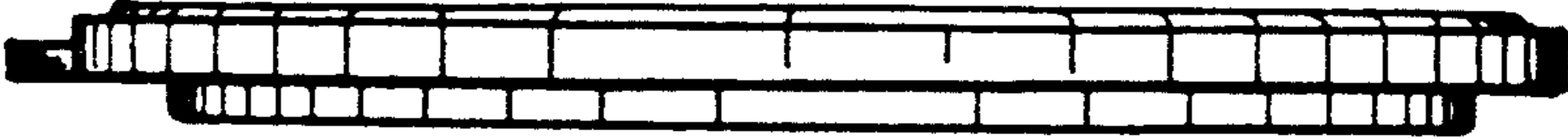


FIG. 5

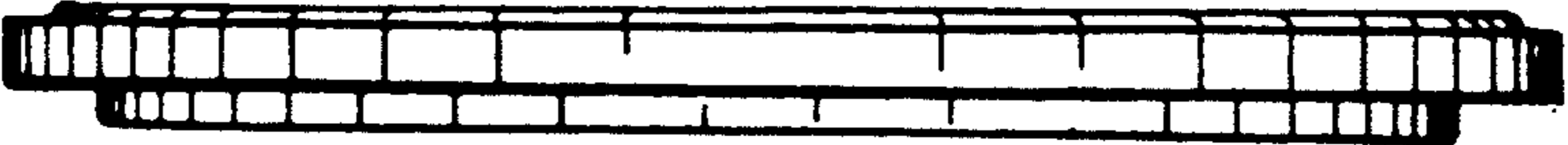


FIG. 6

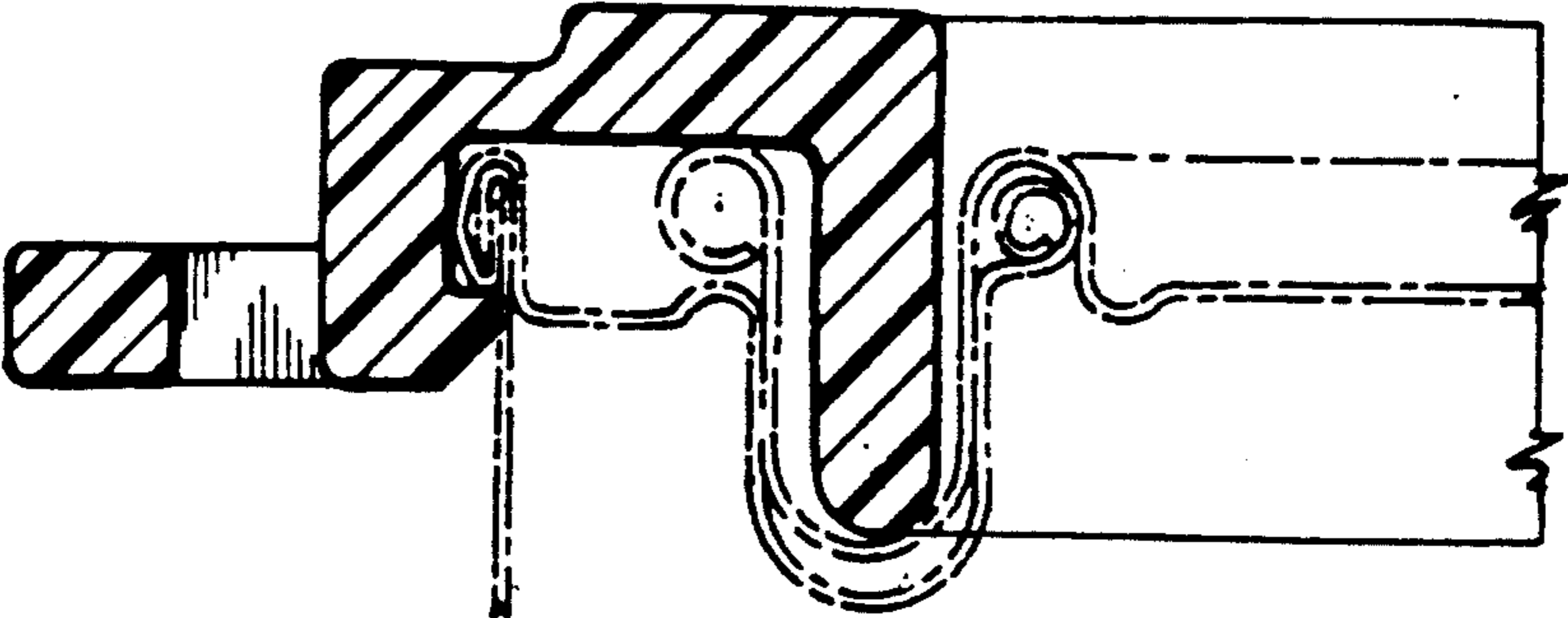


FIG. 7