



US00D348834S

# United States Patent [19]

Wardell, Jr.

[11] Patent Number: **Des. 348,834**

[45] Date of Patent: **\*\* Jul. 19, 1994**

[54] LID FOR A CHAIN DISPENSER

[75] Inventor: Myron H. Wardell, Jr., Lititz, Pa.

[73] Assignee: Cooper Industries, Inc., Houston, Tex.

[\*\*] Term: 14 Years

[21] Appl. No.: 889,108

[22] Filed: May 26, 1992

[52] U.S. Cl. .... D9/435

[58] Field of Search ..... D8/358; 206/525, 409, 206/408; D9/435, 447

[56] **References Cited**

**U.S. PATENT DOCUMENTS**

D. 256,999	9/1980	Haagedoorn et al. ....	D8/358 X
1,974,132	9/1934	Bennett .....	221/11
3,375,918	4/1968	Platky .....	206/525 X
3,556,293	1/1971	Schlueter .....	206/525

5,103,977	4/1992	Douglas .....	206/408 X
5,201,419	4/1993	Hayes .....	206/525 X

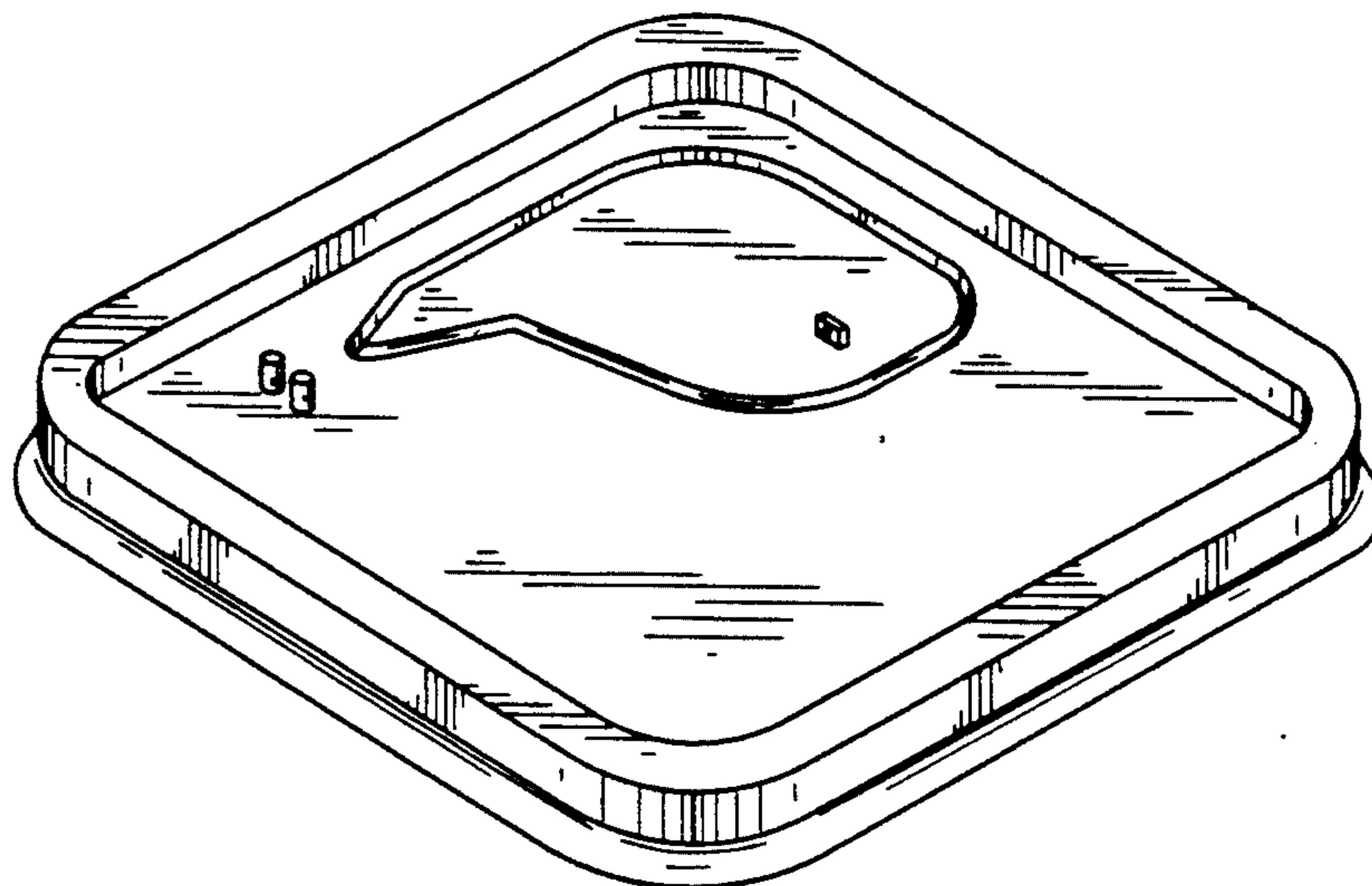
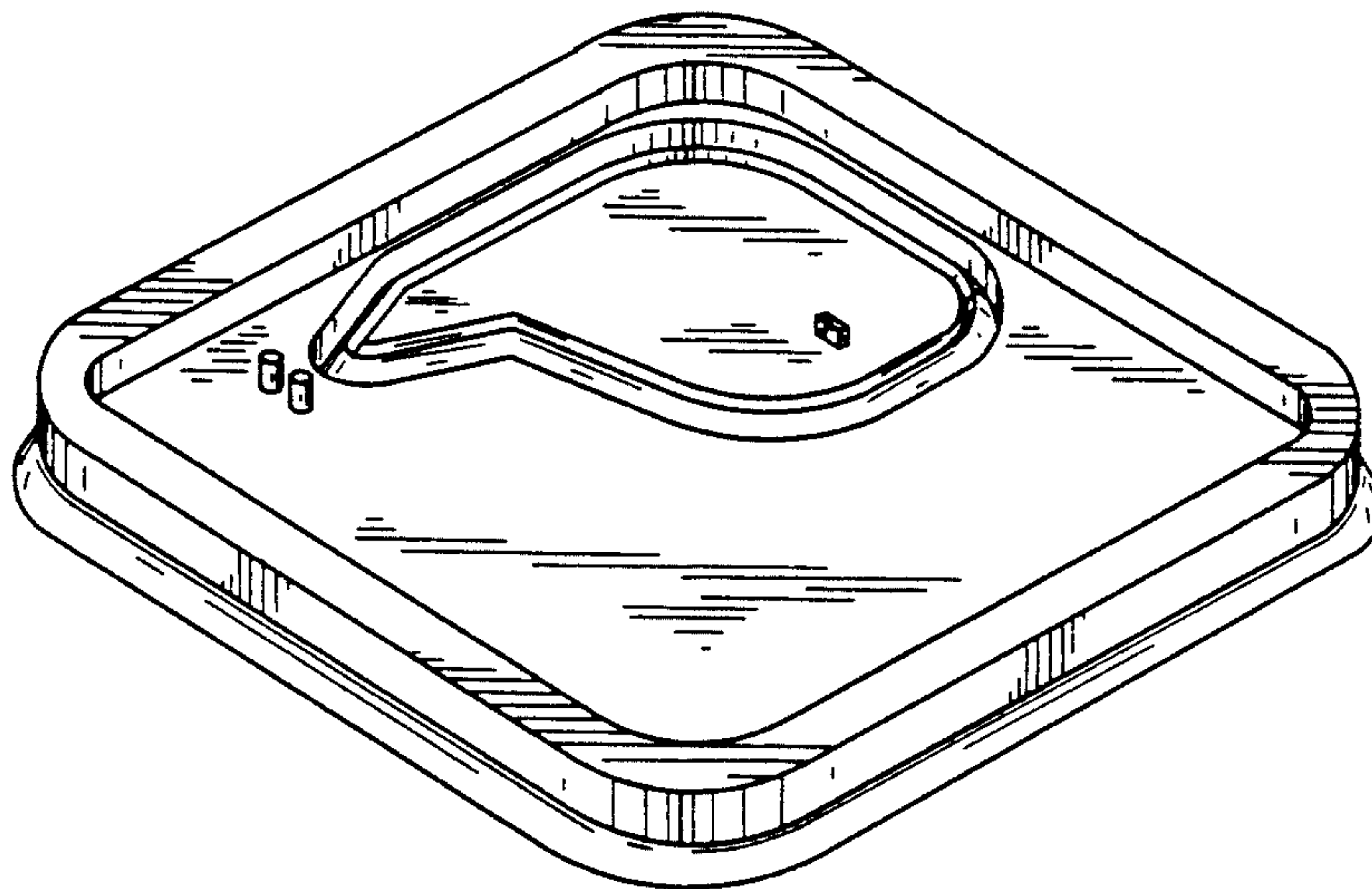
Primary Examiner—Wallace R. Burke  
Assistant Examiner—H. Baynham  
Attorney, Agent, or Firm—Nelson A. Blish; Eddie E. Scott

[57] **CLAIM**

The ornamental design for a lid for a chain dispenser, as shown and described.

**DESCRIPTION**

FIG. 1 is a top, perspective view of a lid for a chain dispenser showing my new design; FIG. 2 is a top, plan view thereof; FIG. 3 is a top, perspective view of an alternate embodiment of my chain dispensing system; FIG. 4 is a top, plan view thereof; FIG. 5 is a bottom plan view of the second embodiment; and, FIG. 6 is a bottom plan view of the first embodiment.



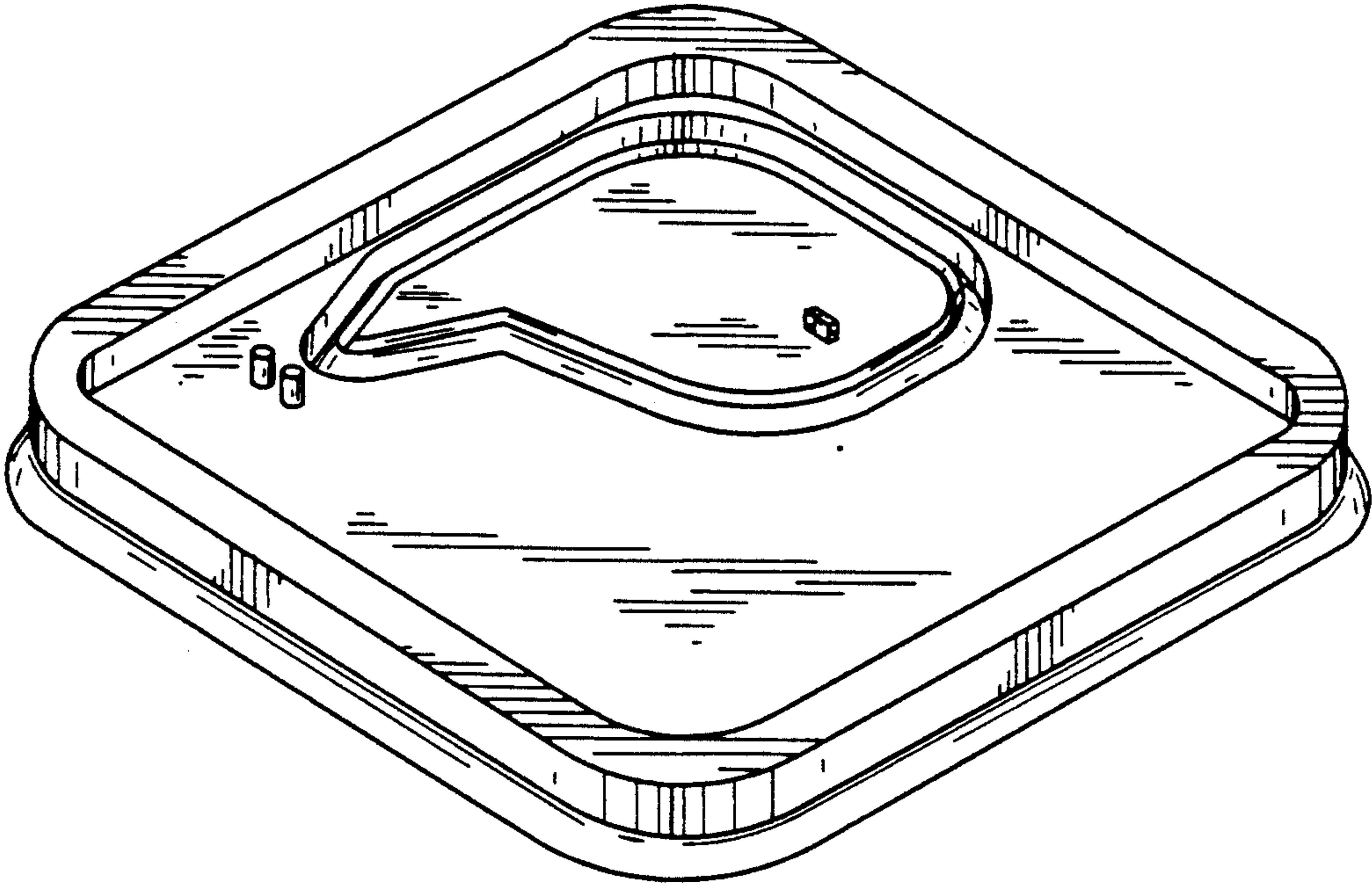


FIG. 1

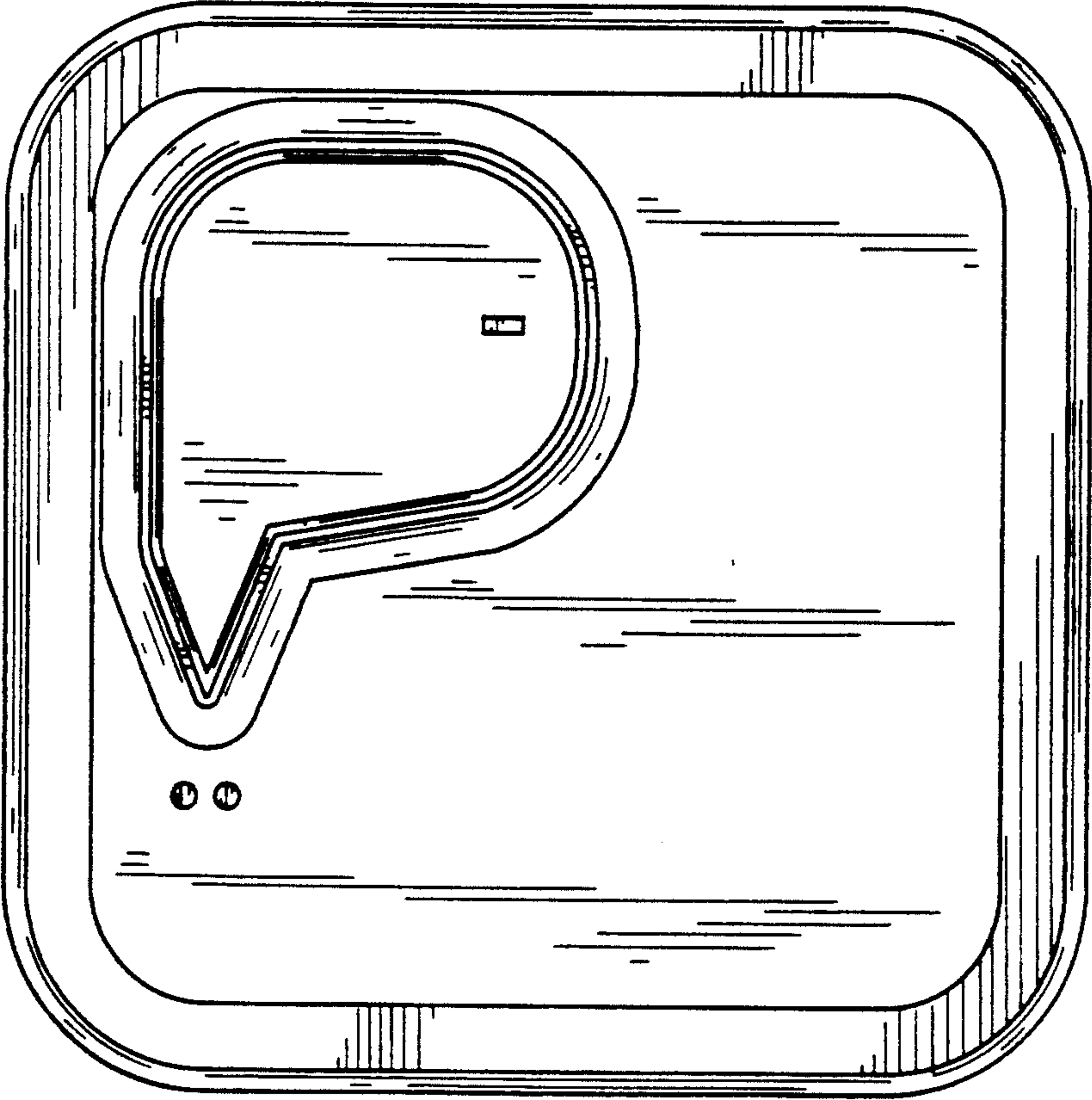


FIG. 2

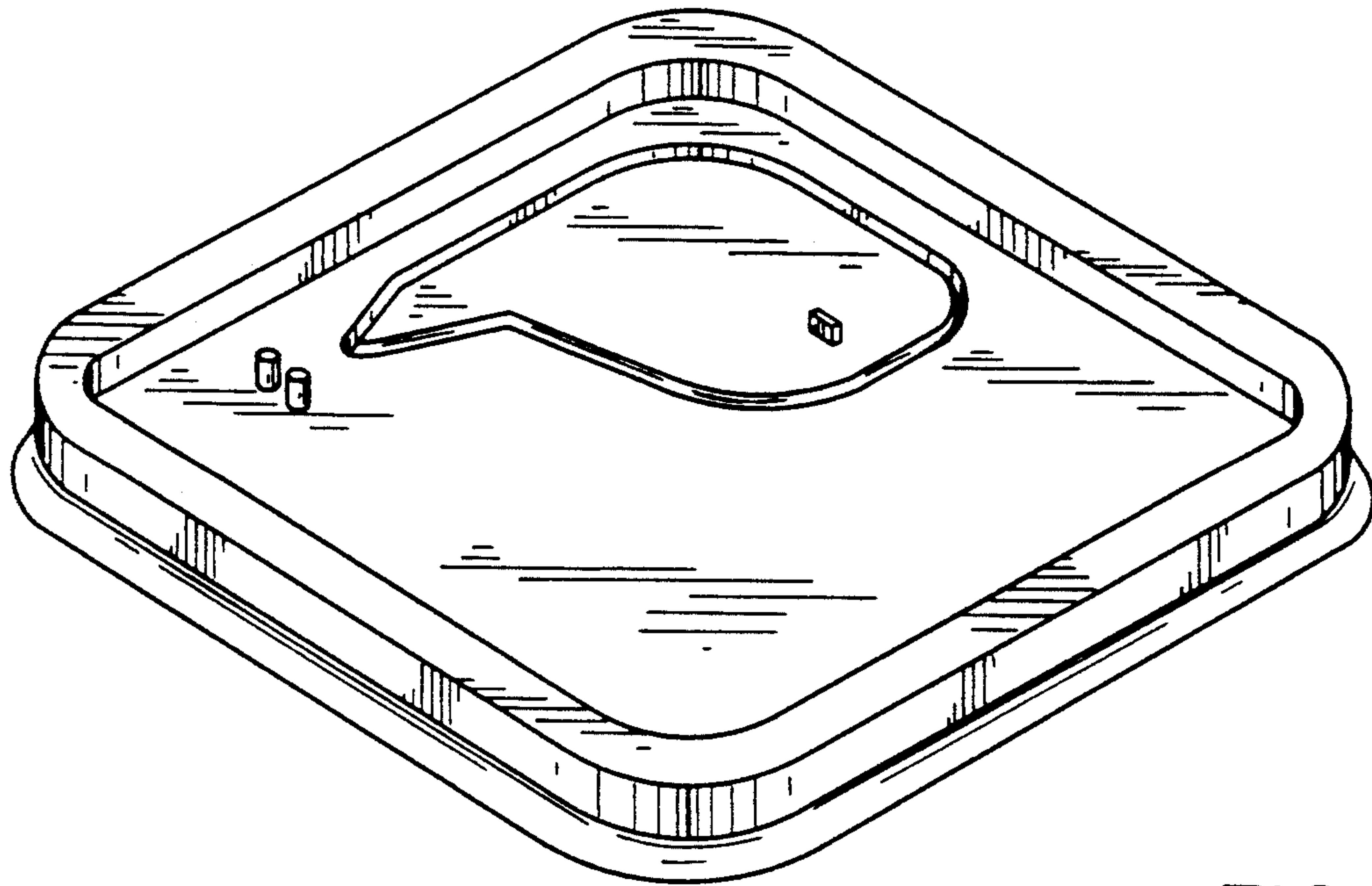


FIG. 3

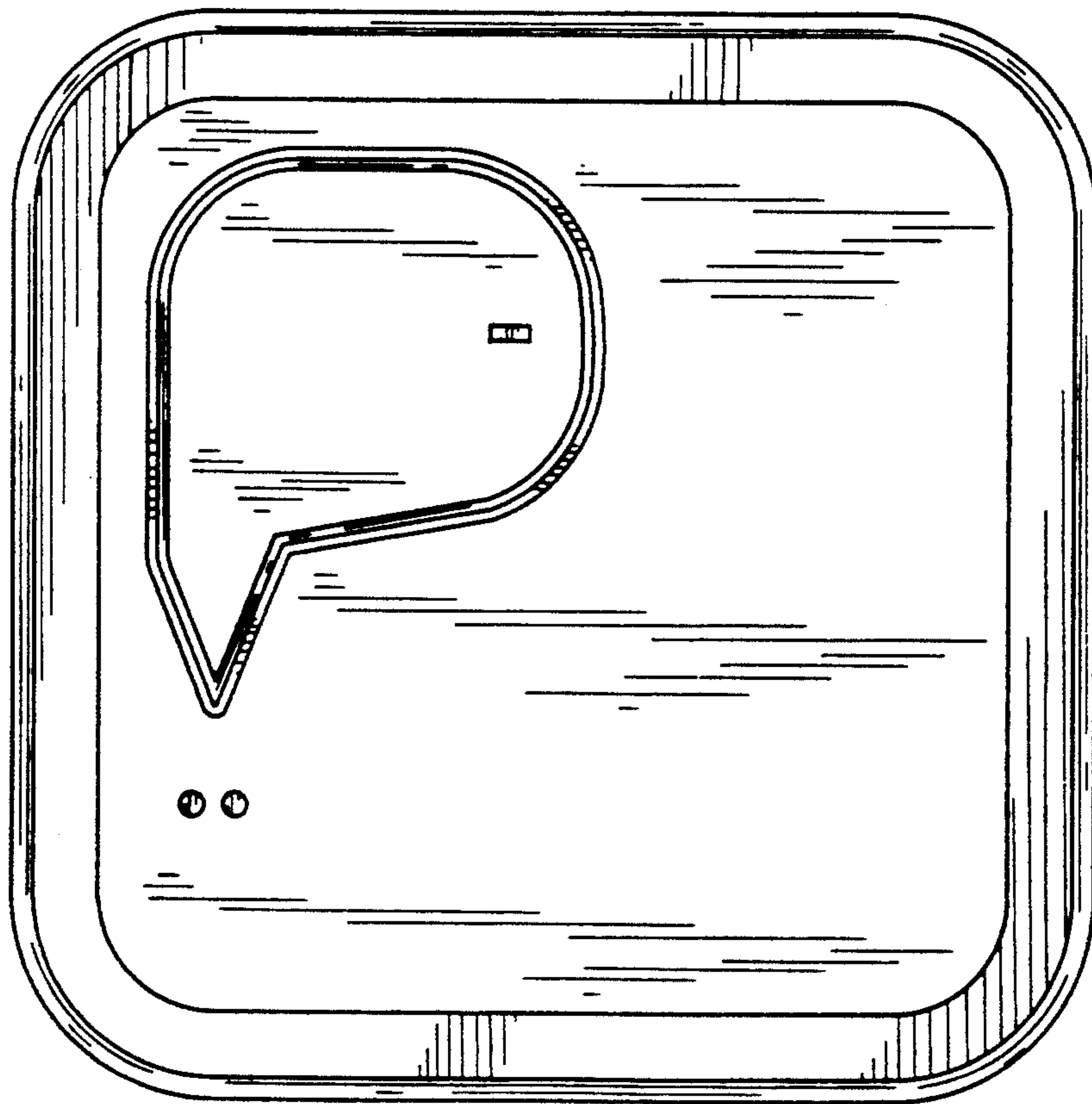


FIG. 4



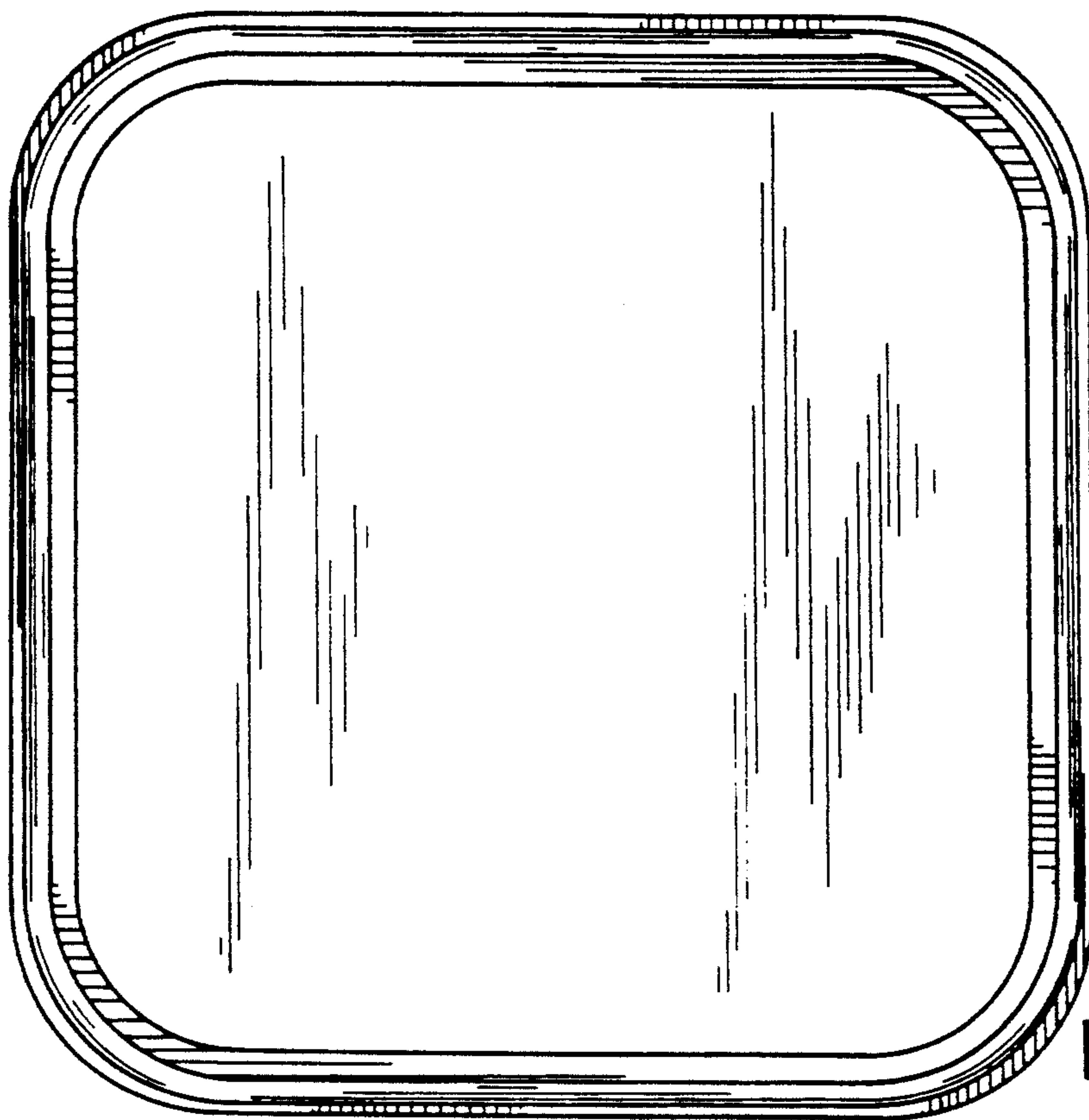


FIG. 5

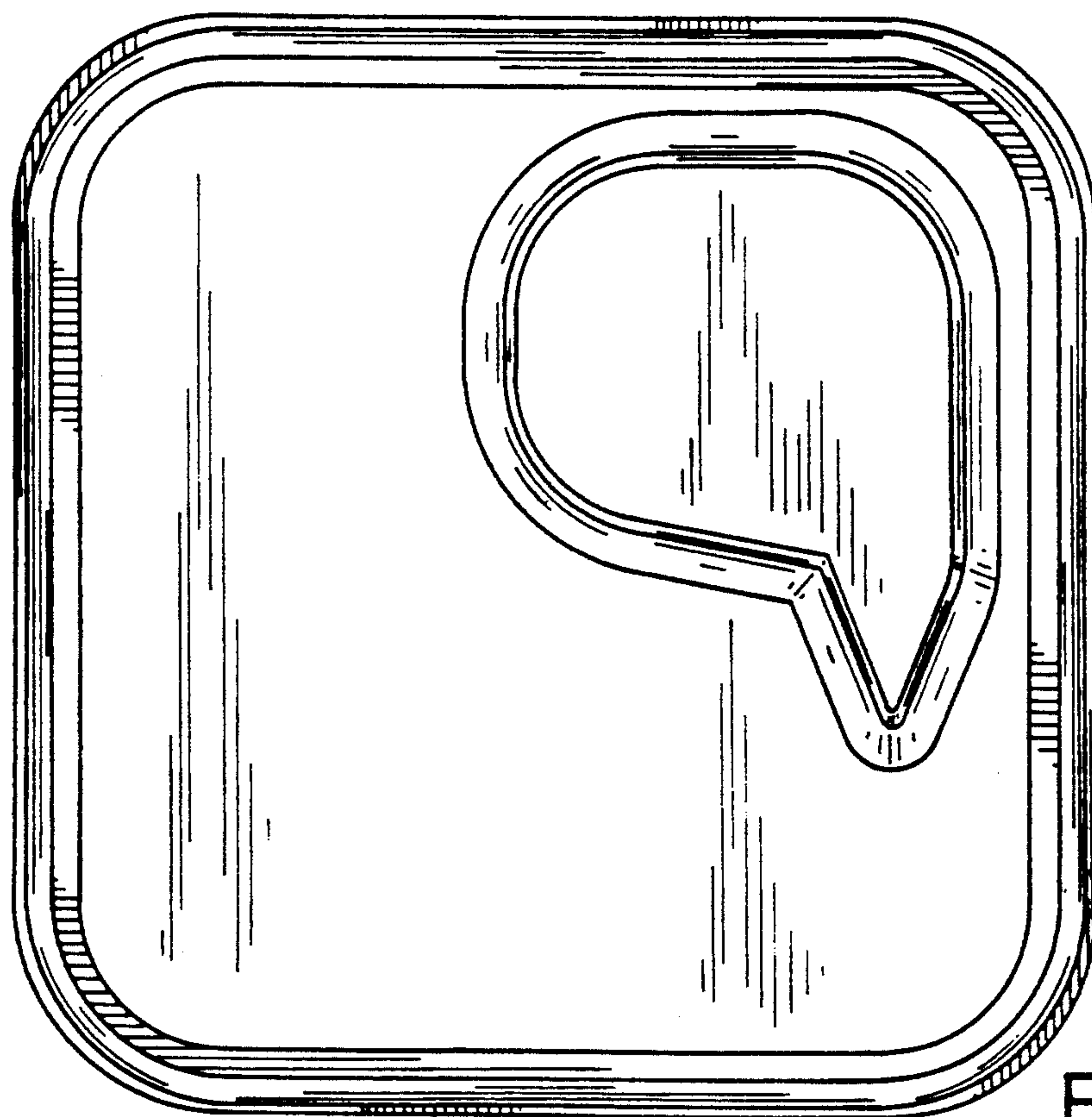


FIG. 6