



US00D348827S

United States Patent [19]

[11] Patent Number: **Des. 348,827**

Berti et al.

[45] Date of Patent: **** Jul. 19, 1994**

[54] HANDLE END PIVOT JOINT YOKE

4,580,307 4/1986 Moss 15/228
4,852,210 8/1989 Krajicek 15/231

[75] Inventors: **Enzo Berti**, Venice, Italy; **Robert J. Libman**, Champaign, Ill.

Primary Examiner—Bernard Ansher
Assistant Examiner—Philip Hyder
Attorney, Agent, or Firm—Marshall, O'Toole, Gerstein, Murray & Borun

[73] Assignee: **The Libman Company**, Arcola, Ill.

[**] Term: **14 Years**

[57] **CLAIM**

[21] Appl. No.: **135**

The ornamental design for a handle end pivot joint yoke, as shown and described.

[22] Filed: **Oct. 7, 1992**

[52] U.S. Cl. **D8/382**

DESCRIPTION

[58] **Field of Search** **D8/45, 382;**
51/384-393; 15/144.1, 231, 228; 403/135, 141,
142, 122, 150; 16/236, 337, 342; D15/148

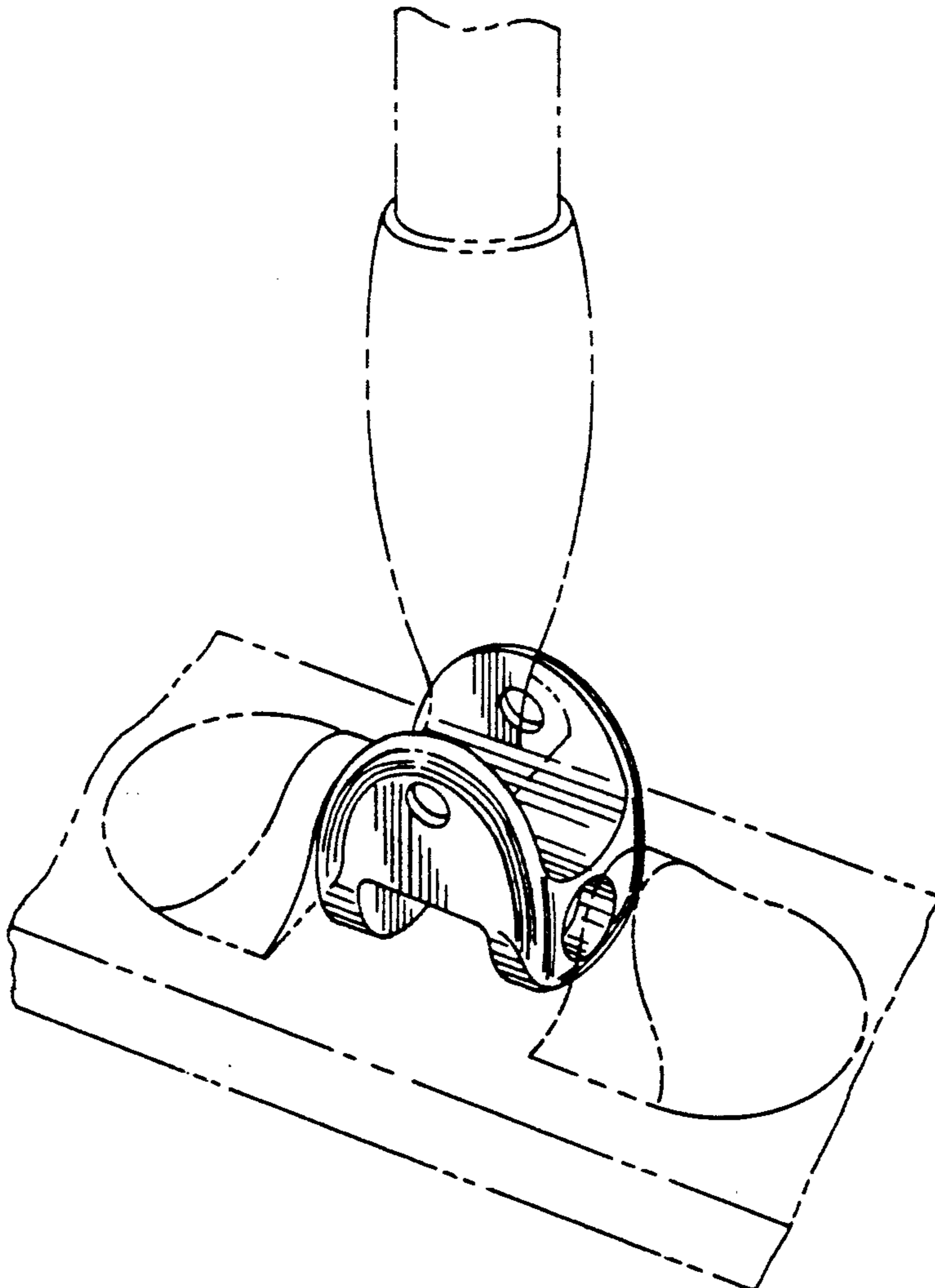
FIG. 1 is a top, front and left side perspective view of a handle end pivot joint yoke showing our new design; FIG. 2 is a front elevational view thereof, the rear elevational view being a mirror image thereof; FIG. 3 is a left side elevational view thereof with the right side being a mirror image; FIG. 4 is a top plan view thereof; and, FIG. 5 is a bottom plan view thereof.

[56] **References Cited**

U.S. PATENT DOCUMENTS

D. 329,244	9/1992	Saito et al.	D15/148
2,940,800	6/1960	Knapp	403/150
3,031,707	5/1962	Wiley et al.	403/150
3,760,450	9/1973	Griffin et al.	15/231
3,991,431	11/1976	Thielen	15/228
4,475,262	10/1984	Downer	15/231

The handle and implement head shown in broken lines in the drawings is for illustrative purposes only and forms no part of the claimed design.



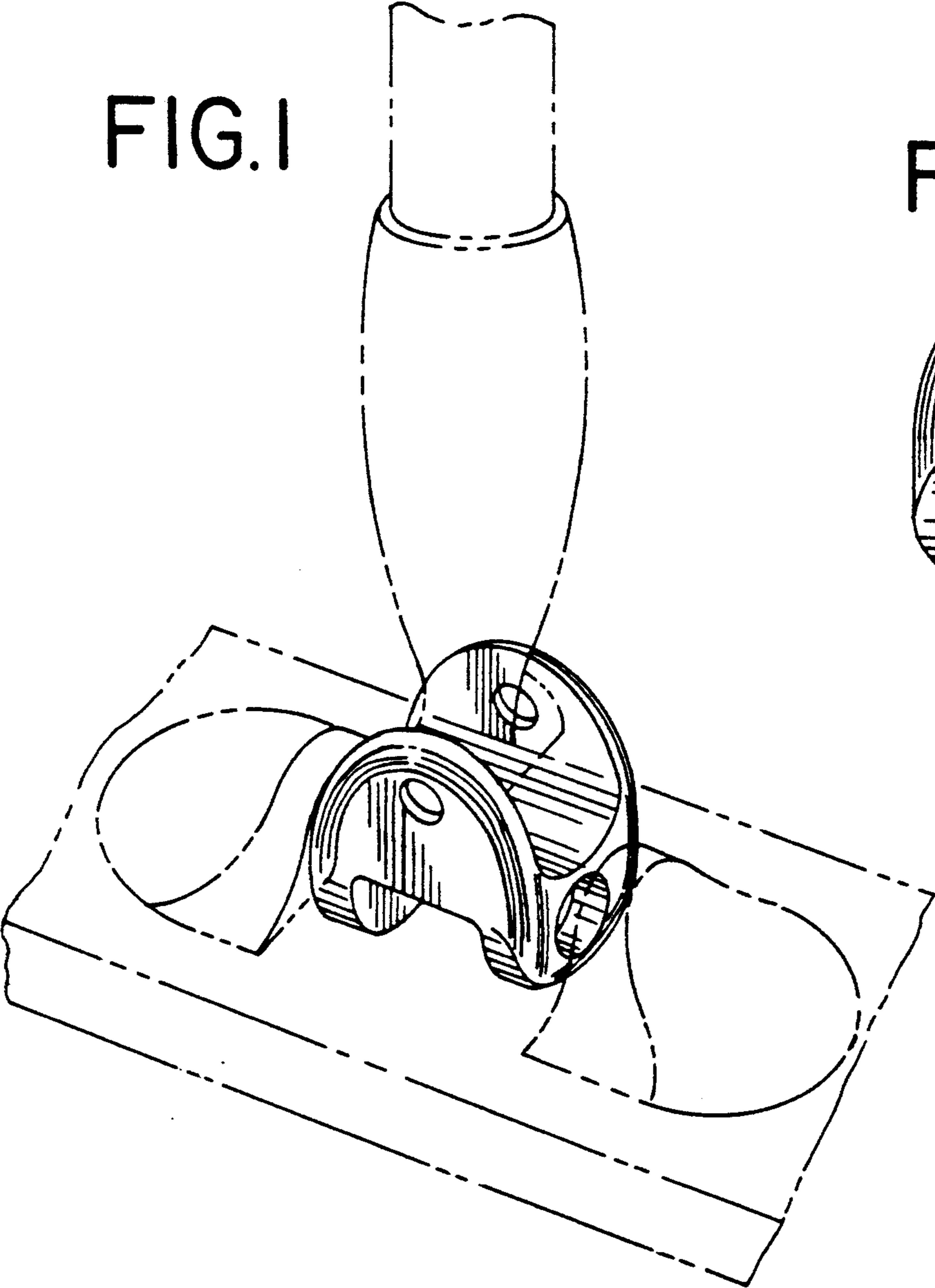


FIG.2

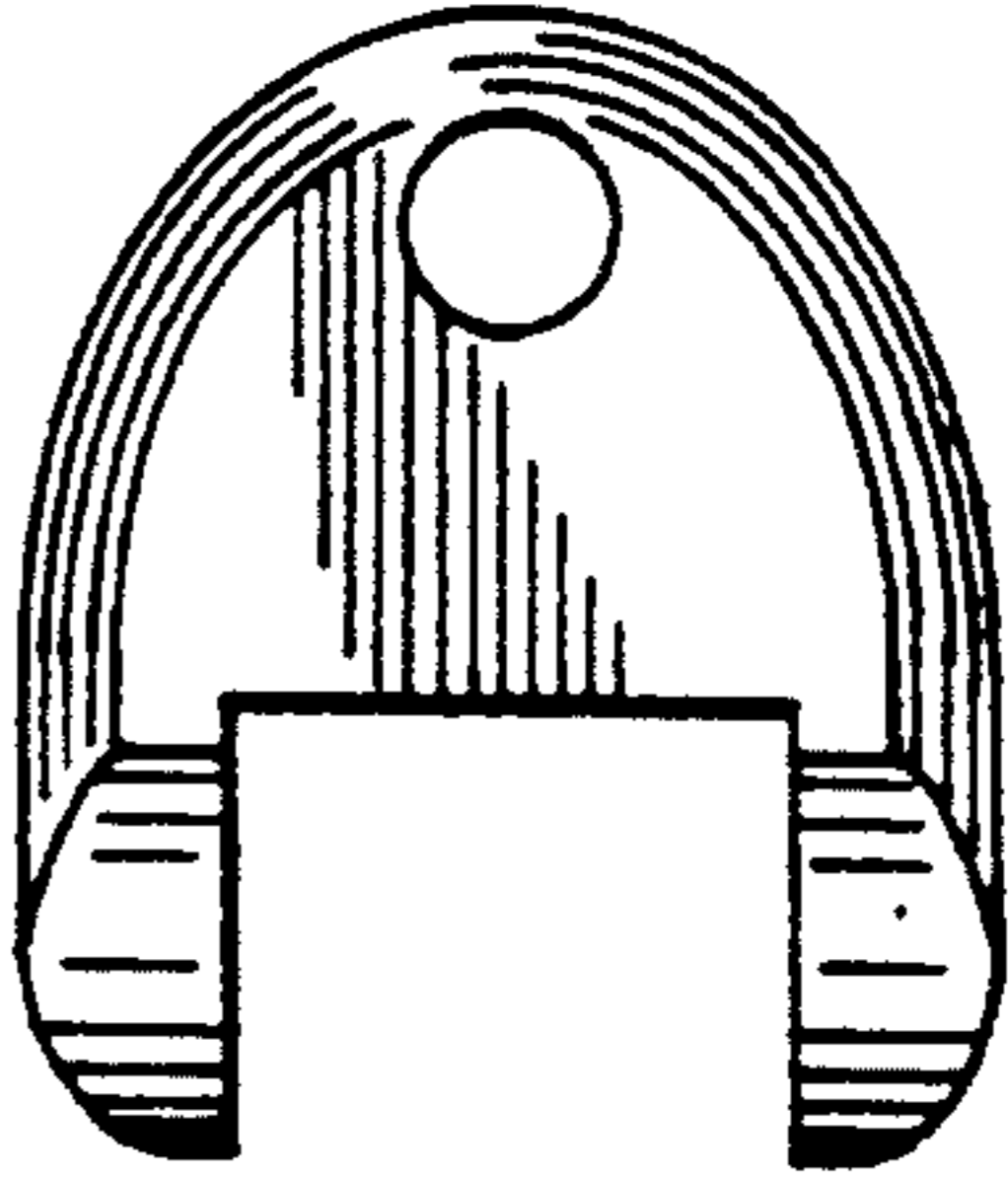


FIG.3

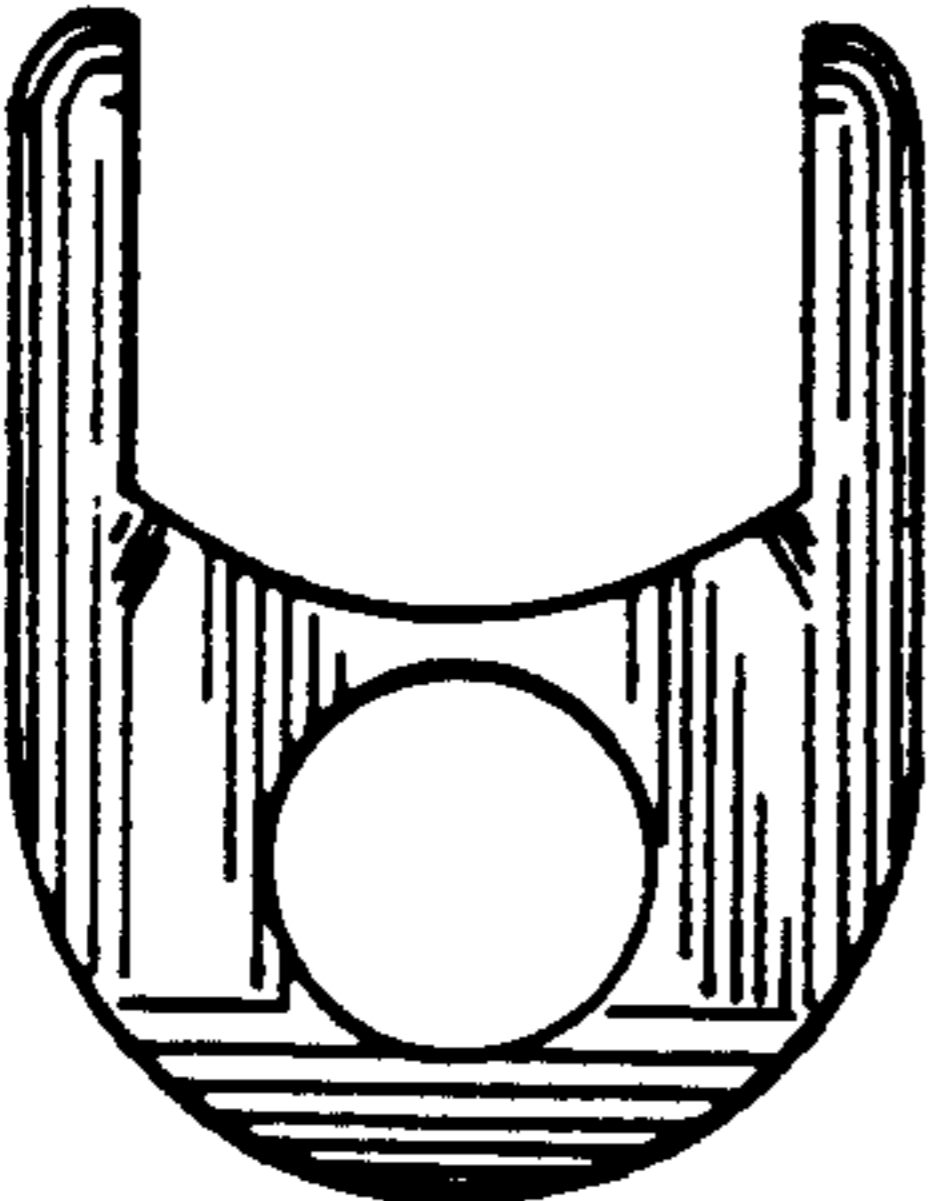


FIG.4

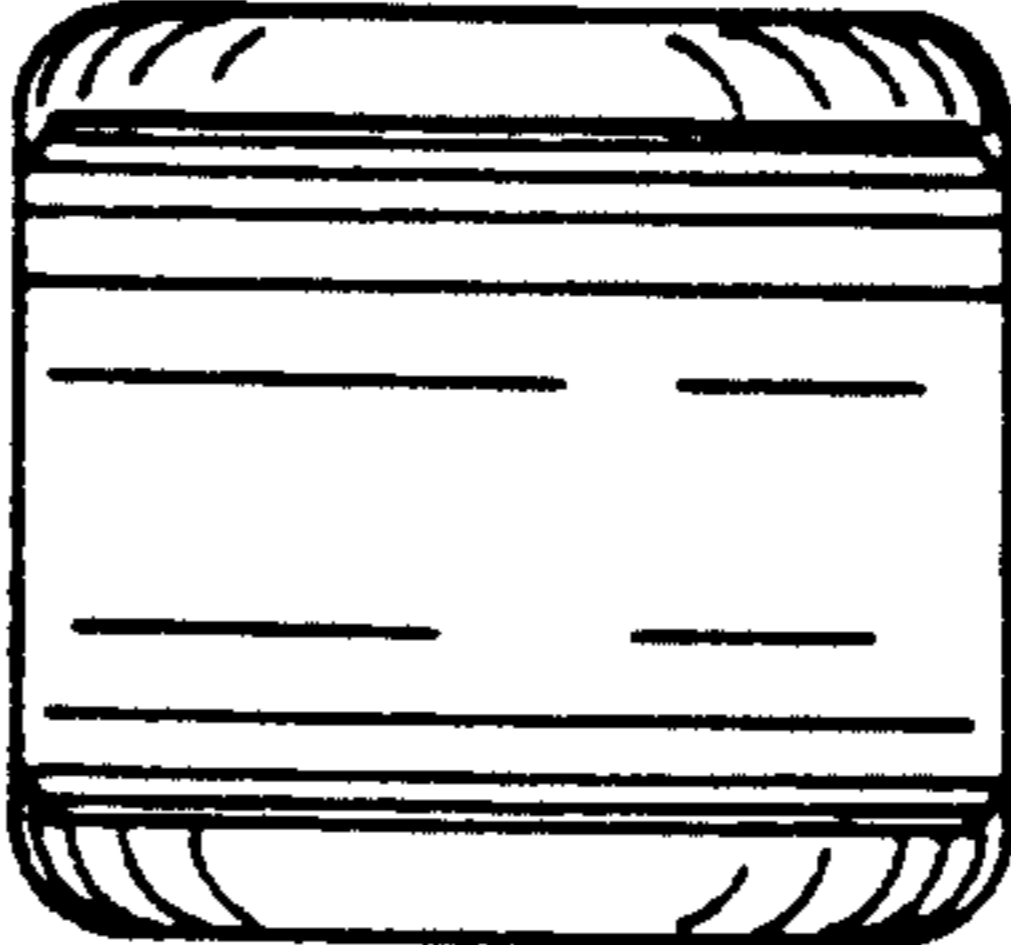


FIG.5

