



US00D348826S

# United States Patent [19]

[11] Patent Number: **Des. 348,826**

**McCaffrey**

[45] Date of Patent: **\*\* Jul. 19, 1994**

[54] **FURNITURE SHELF SUPPORT BRACKET**

- [75] Inventor: **Jeffrey T. McCaffrey**, Portland, Oreg.
- [73] Assignee: **Anthro Corporation**, Portland, Oreg.
- [\*\*] Term: **14 Years**
- [21] Appl. No.: **2,587**
- [22] Filed: **Dec. 15, 1992**
- [52] U.S. Cl. .... **D8/354**
- [58] Field of Search ..... **D8/354, 349, 373, 380-381; 248/214, 243, 250, 235, 239; 211/150, 187**

[56] **References Cited**

**U.S. PATENT DOCUMENTS**

- D. 130,956 12/1941 **Van Dyke** ..... **D8/354 X**
- D. 253,090 10/1979 **Sharley** ..... **D8/354**
- D. 316,219 4/1991 **Boehnke** ..... **D8/373**
- 2,657,894 11/1953 **Sklenar** ..... **248/239**

**FOREIGN PATENT DOCUMENTS**

837459 4/1952 Fed. Rep. of Germany ..... 248/235

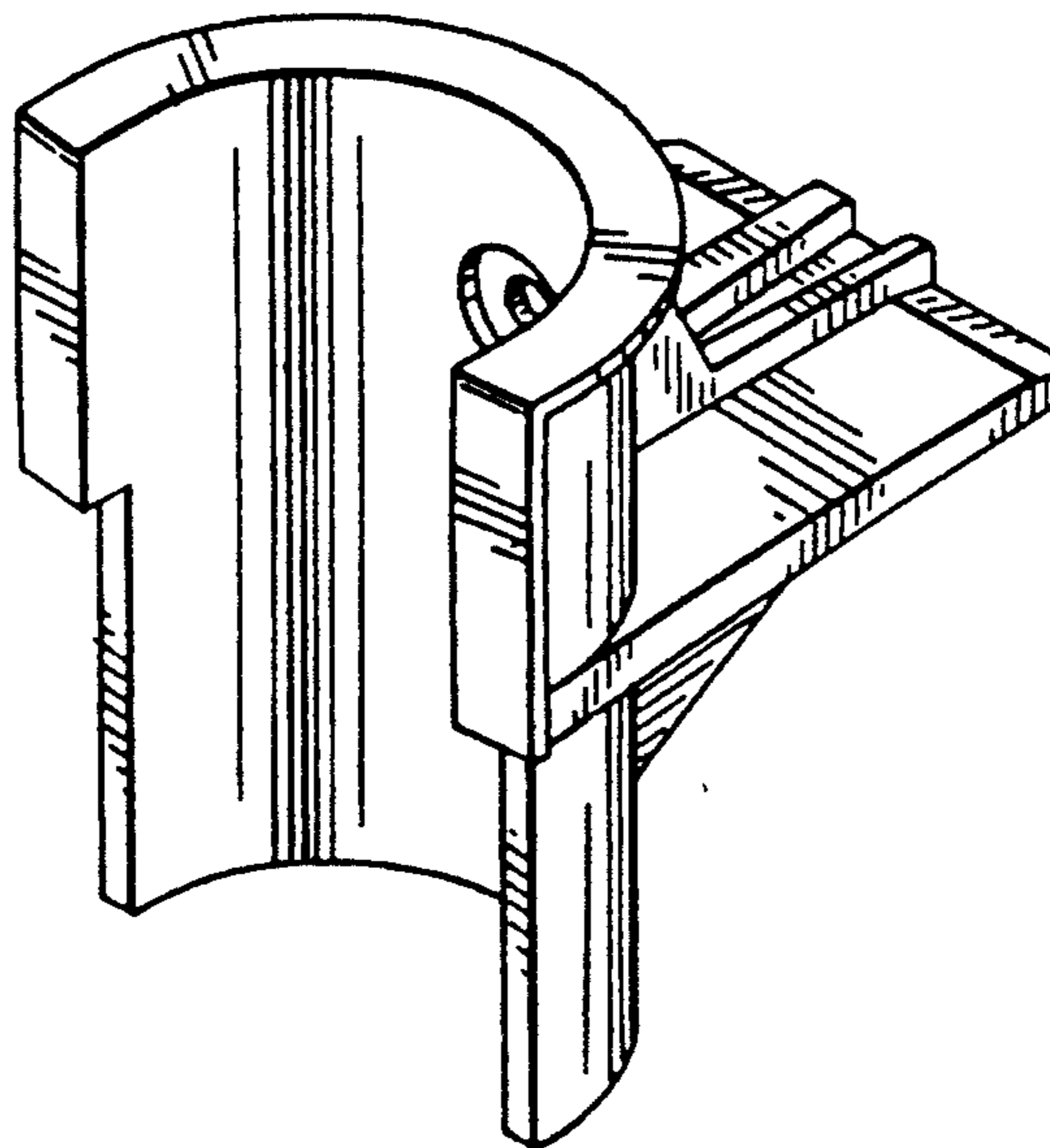
*Primary Examiner*—Wallace R. Burke  
*Assistant Examiner*—H. Baynham  
*Attorney, Agent, or Firm*—Stoel Rives Boley Jones & Grey

[57] **CLAIM**

The design for a furniture shelf support bracket, as shown and described.

**DESCRIPTION**

FIG. 1 is a top, rear, right side perspective view of a furniture shelf support bracket showing my new design; FIG. 2 is a top plan view thereof; FIG. 3 is a bottom plan view thereof; FIG. 4 is a rear elevational view thereof; FIG. 5 is a right side elevational view with the opposite side being a mirror image thereof; and, FIG. 6 is a front elevational view thereof.



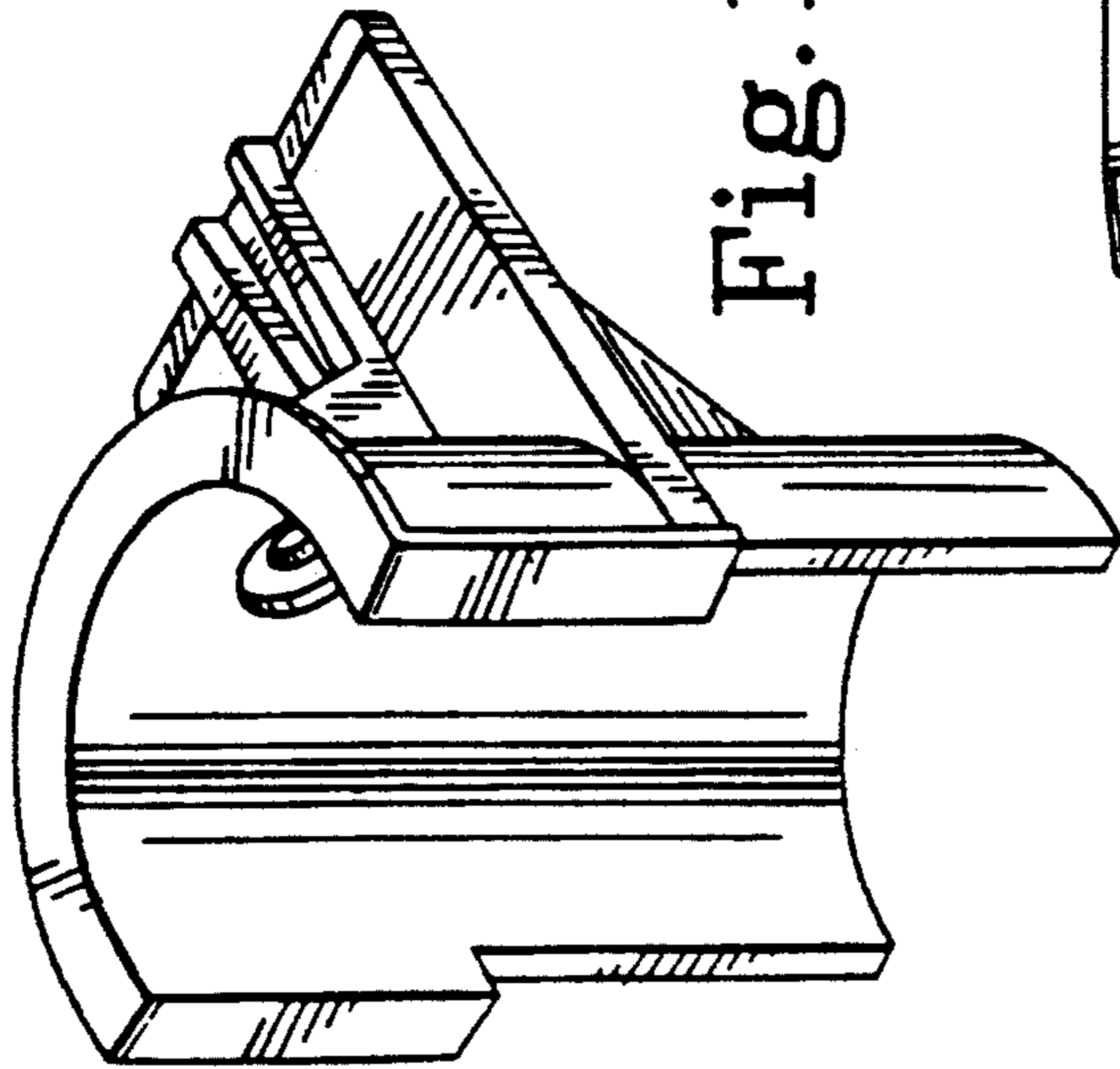


Fig. 1

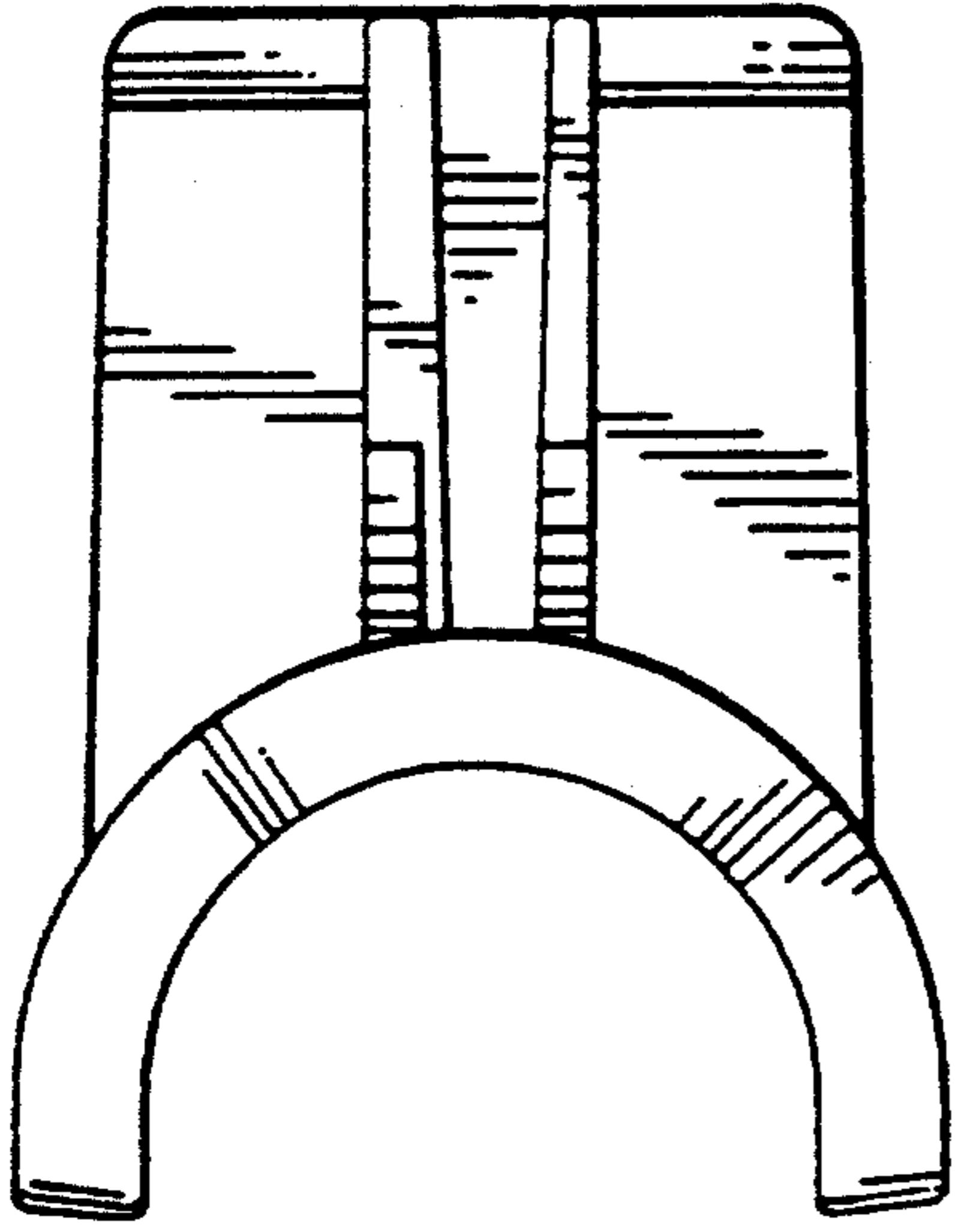


Fig. 2

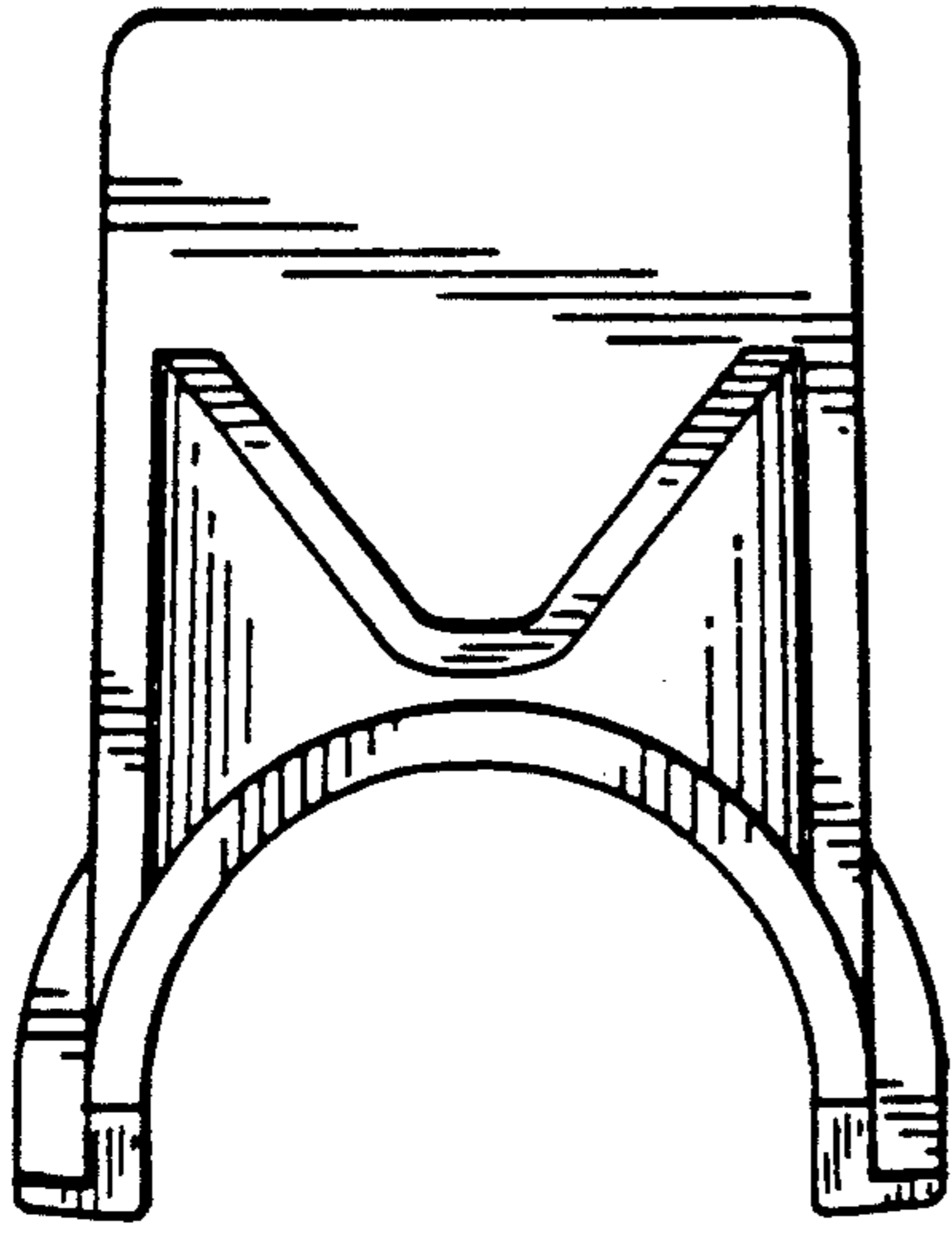


Fig. 3

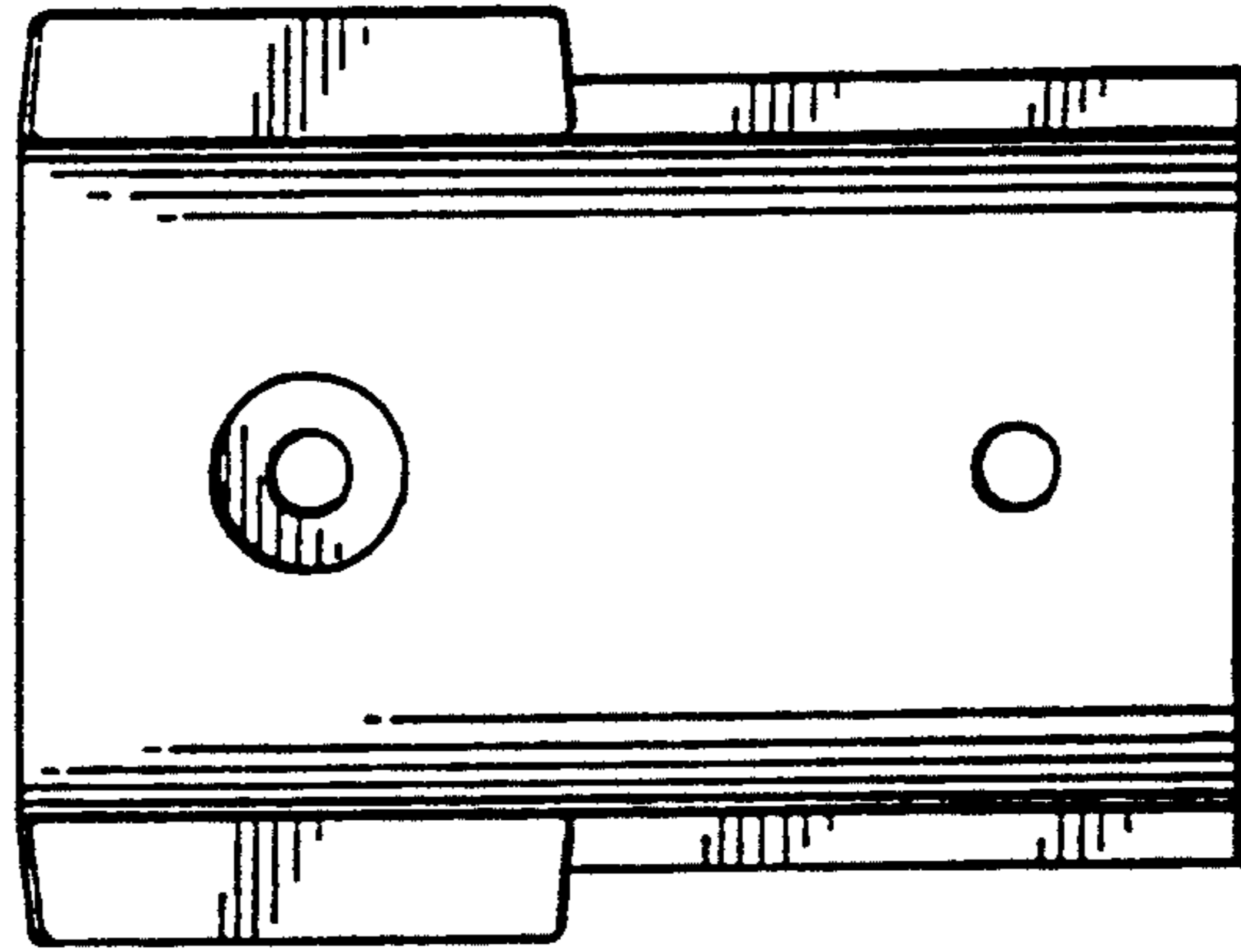


Fig. 4

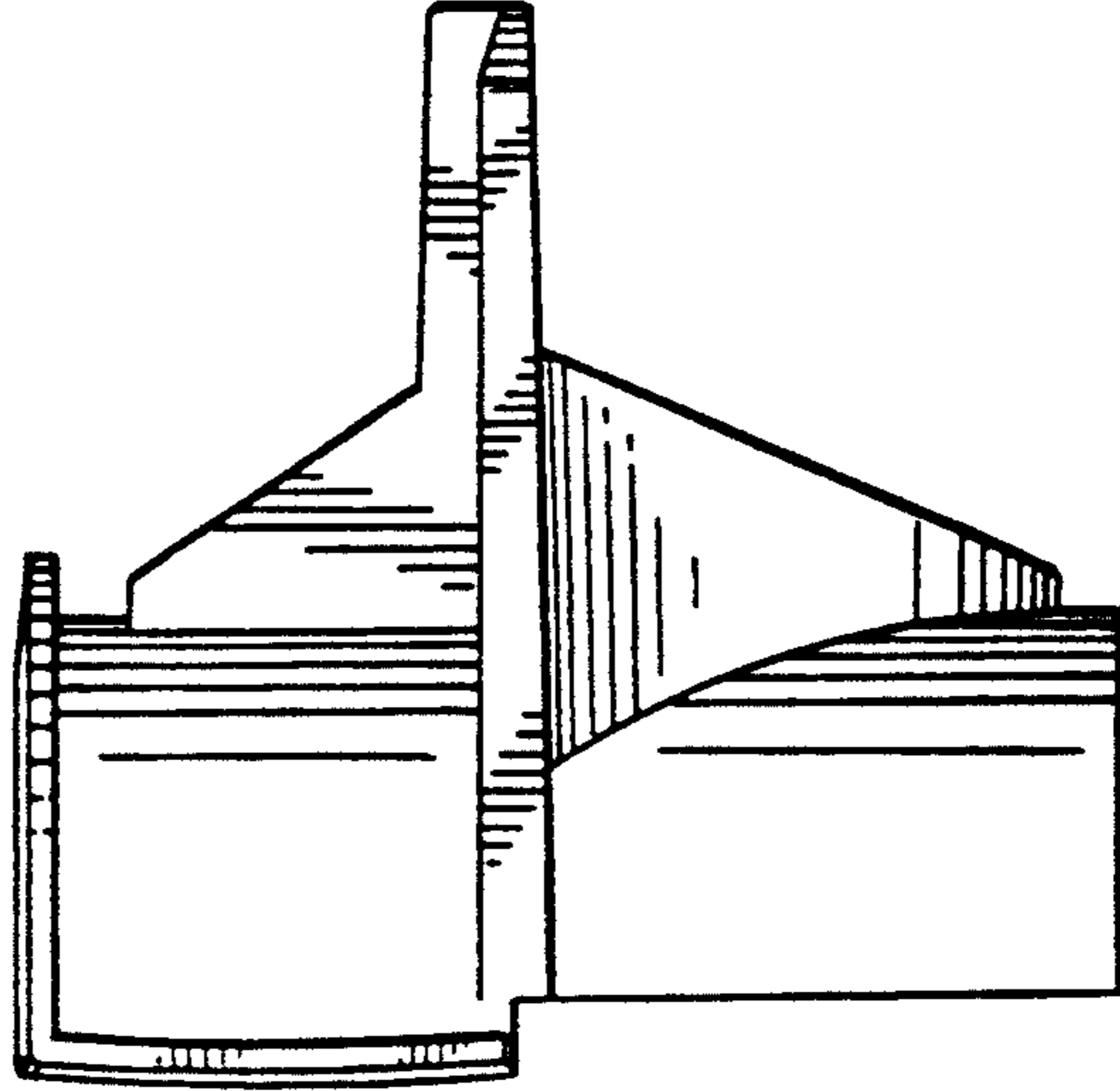


Fig. 5

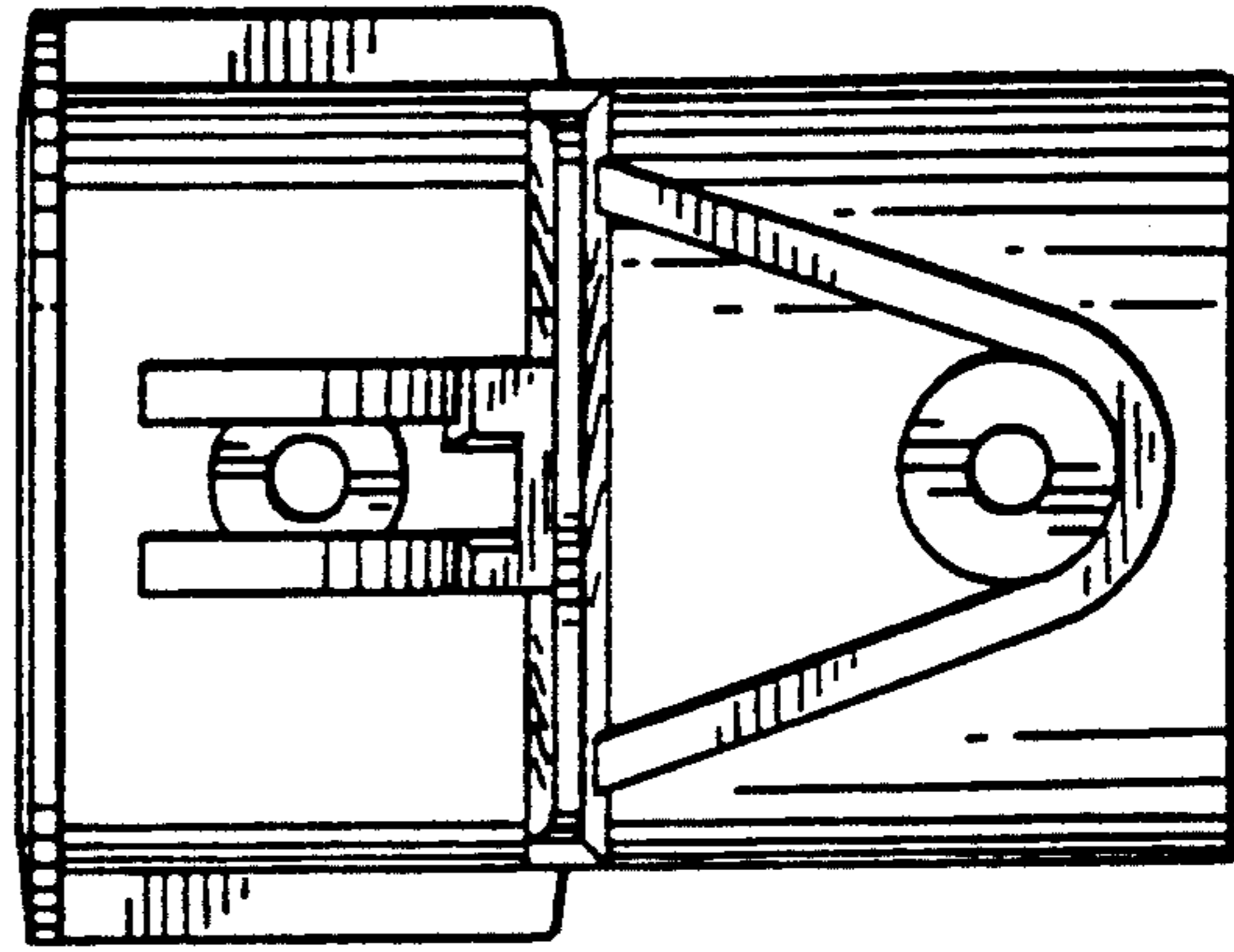


Fig. 6